



US00D848932S

(12) **United States Design Patent**
Henderson

(10) **Patent No.:** **US D848,932 S**

(45) **Date of Patent:** **** *May 21, 2019**

- (54) **CUP AND ACCESSORY HOLDER**
- (71) Applicant: **Donna Cherie Henderson**, Fate, TX
(US)
- (72) Inventor: **Donna Cherie Henderson**, Fate, TX
(US)
- (*) Notice: This patent is subject to a terminal disclaimer.
- (**) Term: **15 Years**
- (21) Appl. No.: **29/595,567**
- (22) Filed: **Feb. 28, 2017**
- (51) **LOC (11) Cl.** **12-16**
- (52) **U.S. Cl.**
USPC **D12/419**
- (58) **Field of Classification Search**
USPC D12/419, 416, 417, 418, 415, 420;
D21/421; D7/619.1-625, 701
CPC B60N 2/46
See application file for complete search history.

- D809,998 S * 2/2018 Dabel B60N 3/10
D12/419
- D814,391 S * 4/2018 Wilson D12/419
- D824,838 S * 8/2018 Takamura D12/419
- 2006/0186155 A1* 8/2006 Quijano B60R 7/08
224/400

* cited by examiner

Primary Examiner — Katrina A Betton

(57) **CLAIM**

I claim the ornamental design for a cup and accessory holder, as shown and described.

DESCRIPTION

FIG. 1 is a front, perspective view of a cup and accessory holder showing the new design;
 FIG. 2 is a front, elevation view thereof;
 FIG. 3 is a rear, elevation view thereof;
 FIG. 4 is a right-side view thereof;
 FIG. 5 is a left-side view thereof;
 FIG. 6 is a top view thereof;
 FIG. 7 is a bottom view thereof;
 FIG. 8 is a front, perspective view thereof;
 FIG. 9 is a front, elevation view thereof;
 FIG. 10 is a rear, elevation view thereof;
 FIG. 11 is a right-side view thereof;
 FIG. 12 is a left-side view thereof;
 FIG. 13 is a top view thereof; and,
 FIG. 14 is a bottom view thereof.

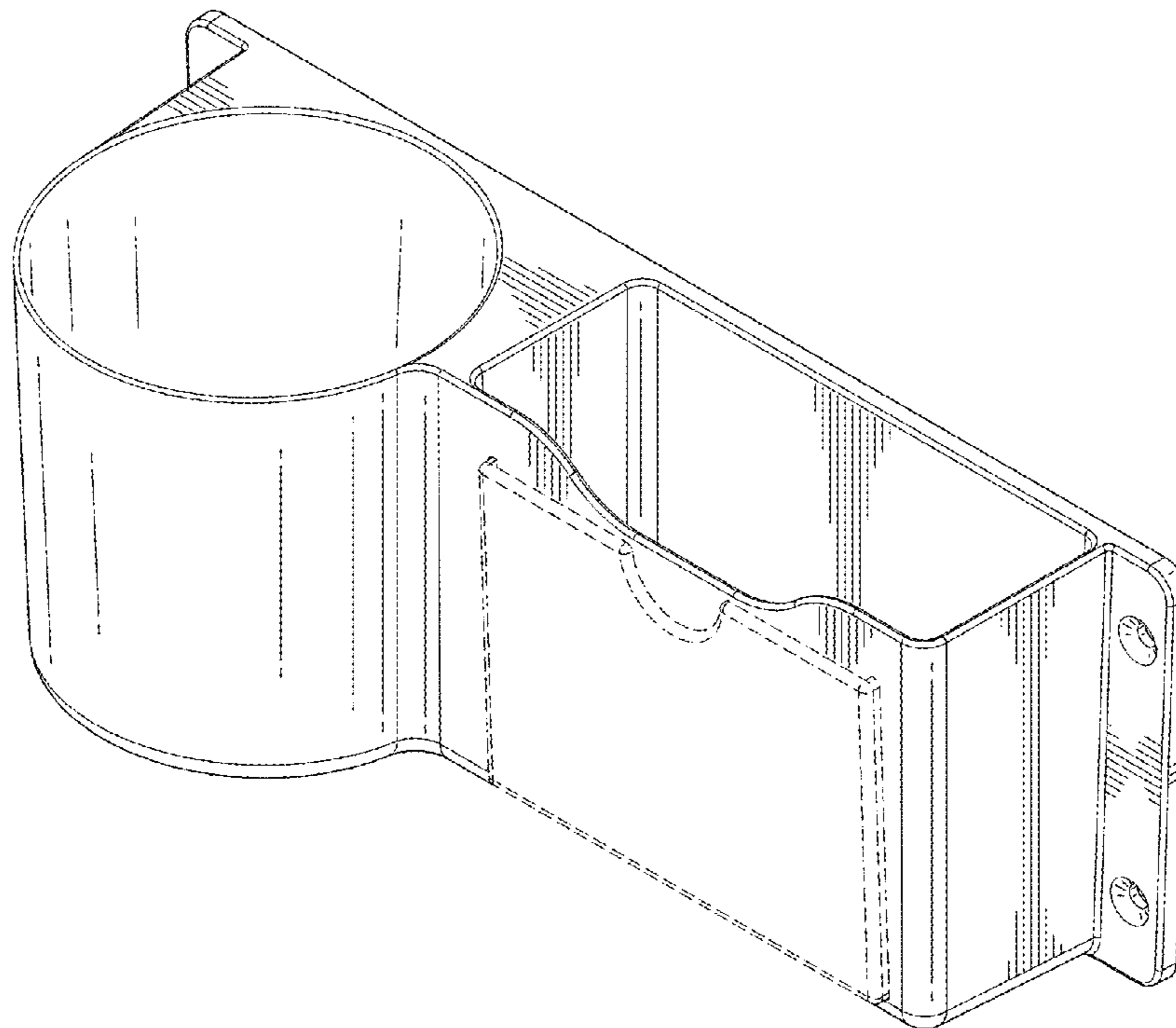
The broken lines shown are included for the purpose of illustrating coat hooks and advertisement sleeves which can be optionally affixed to the cup and accessory holder and form no part of the claimed design.

1 Claim, 6 Drawing Sheets

(56) **References Cited**

U.S. PATENT DOCUMENTS

- D423,884 S * 5/2000 Greenwood D7/620
- D777,082 S * 1/2017 Tang D12/419
- D792,834 S * 7/2017 Ito D12/419
- D801,911 S * 11/2017 Stroud D12/419
- D804,394 S * 12/2017 Bergin D12/419



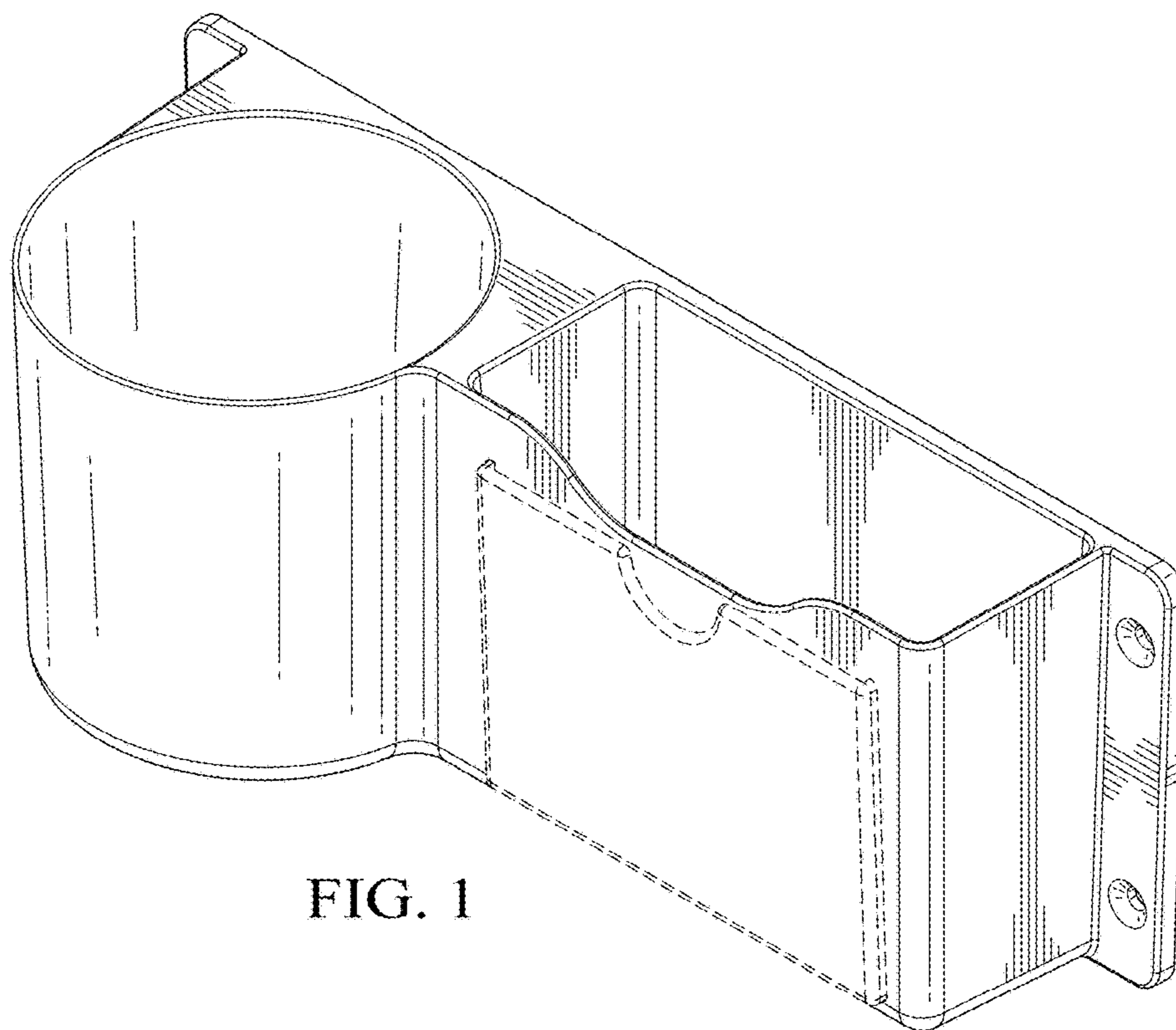


FIG. 1

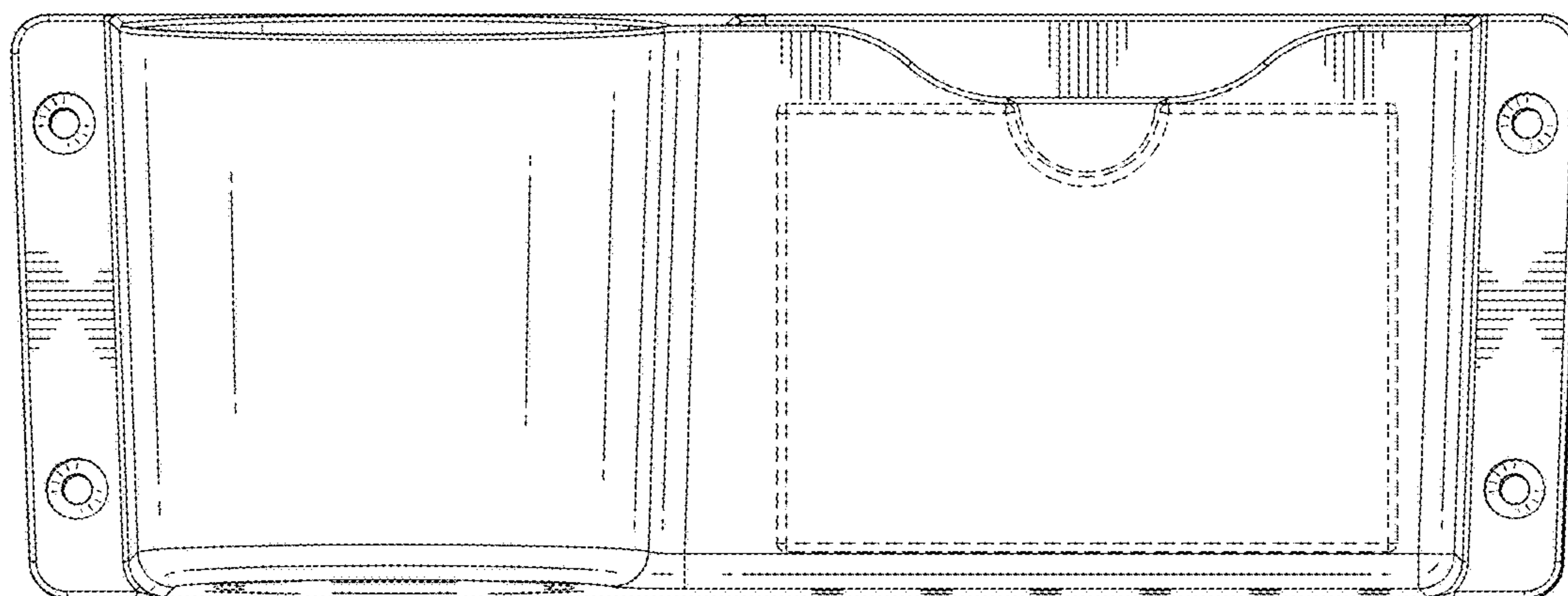


FIG. 2

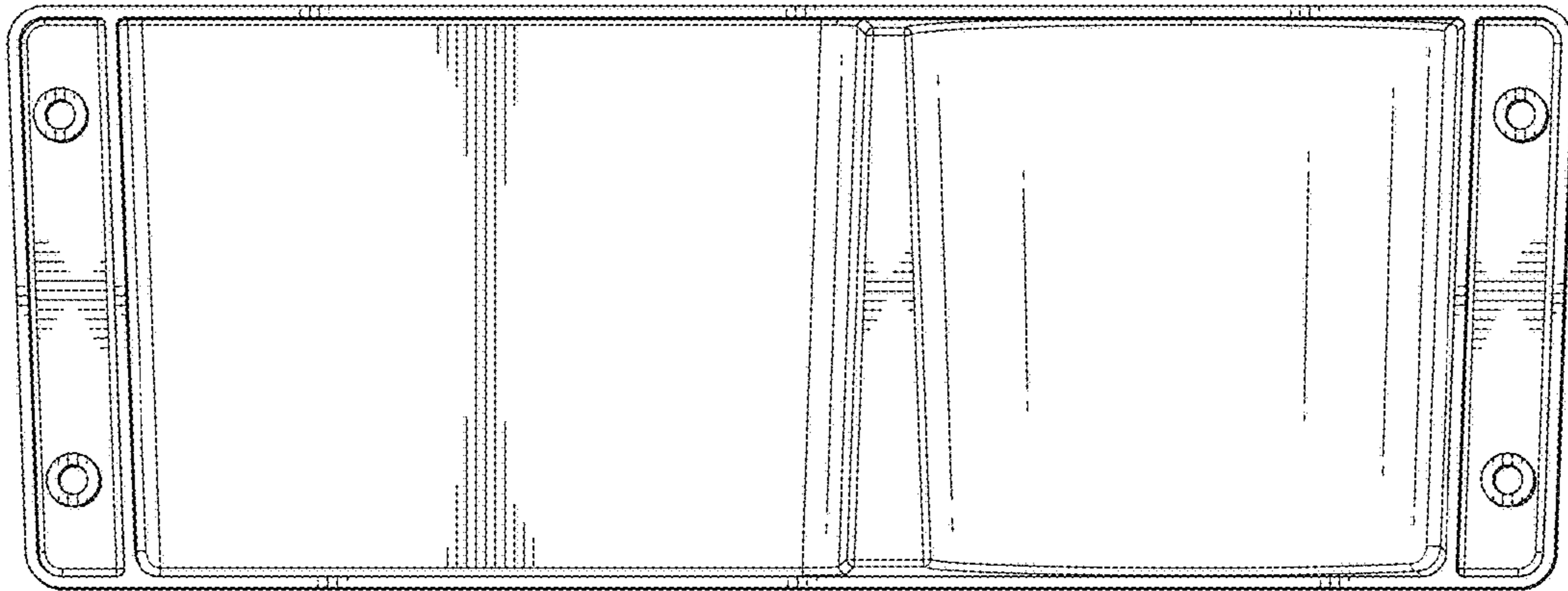


FIG. 3

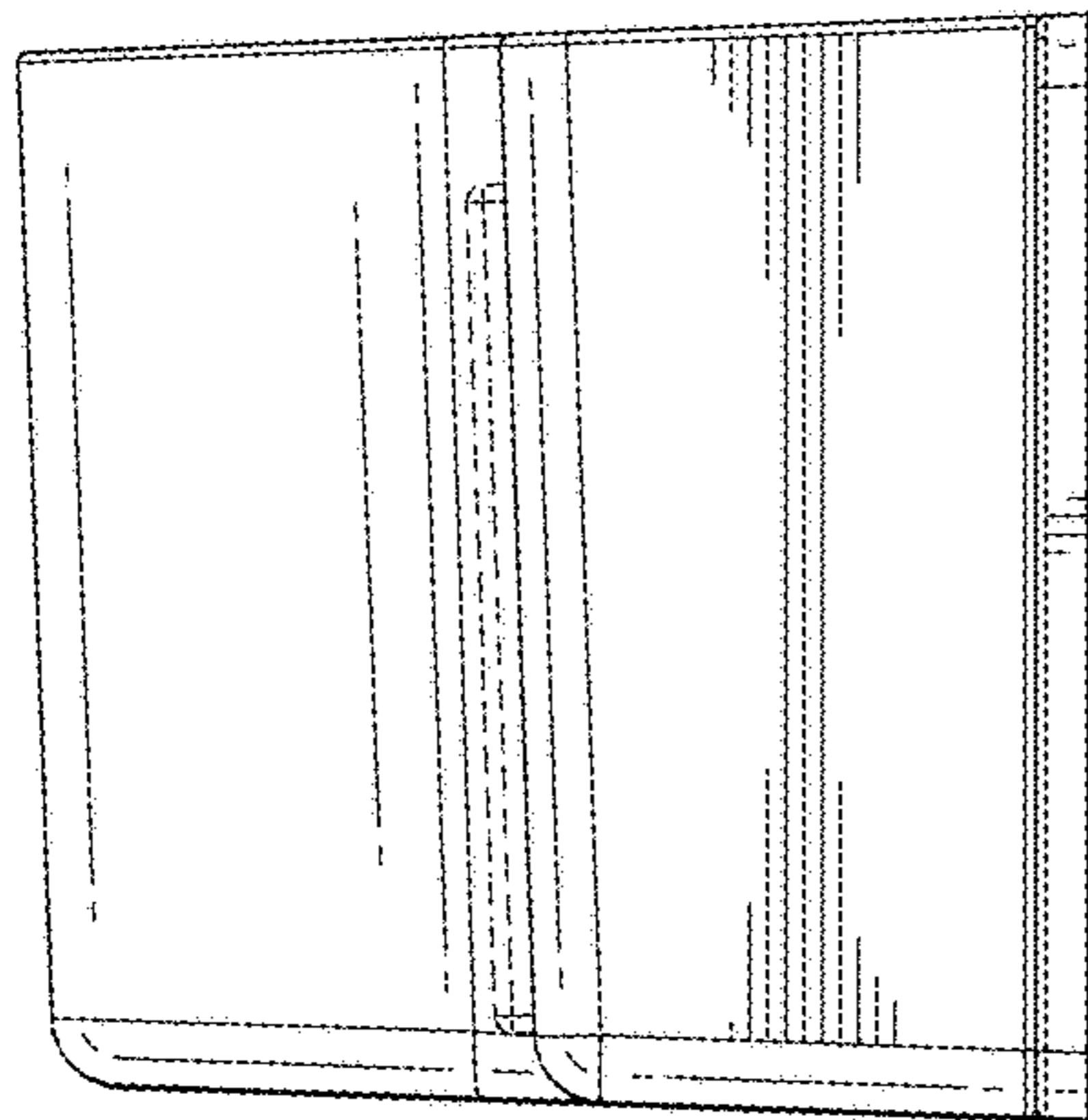


FIG. 4

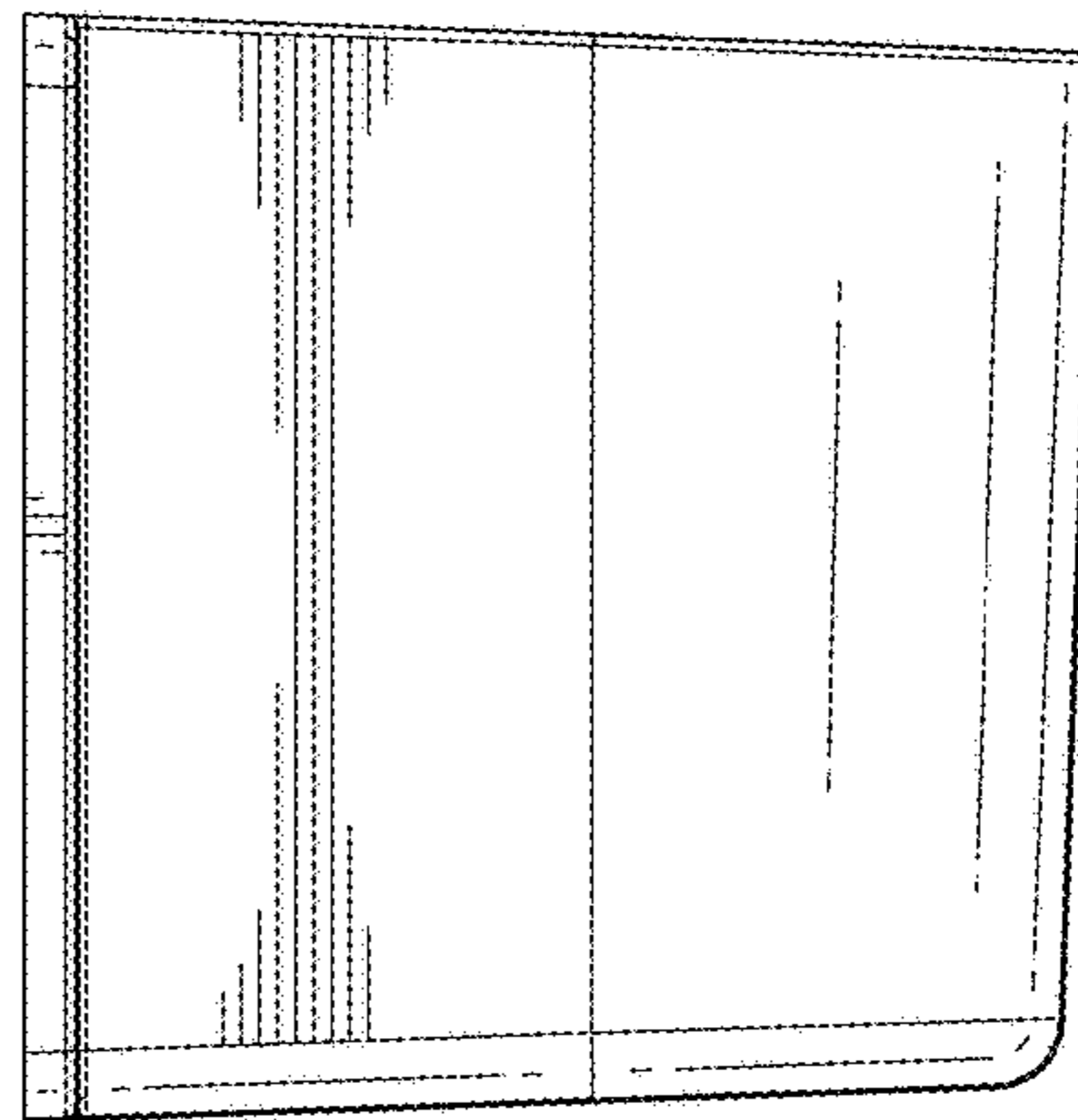
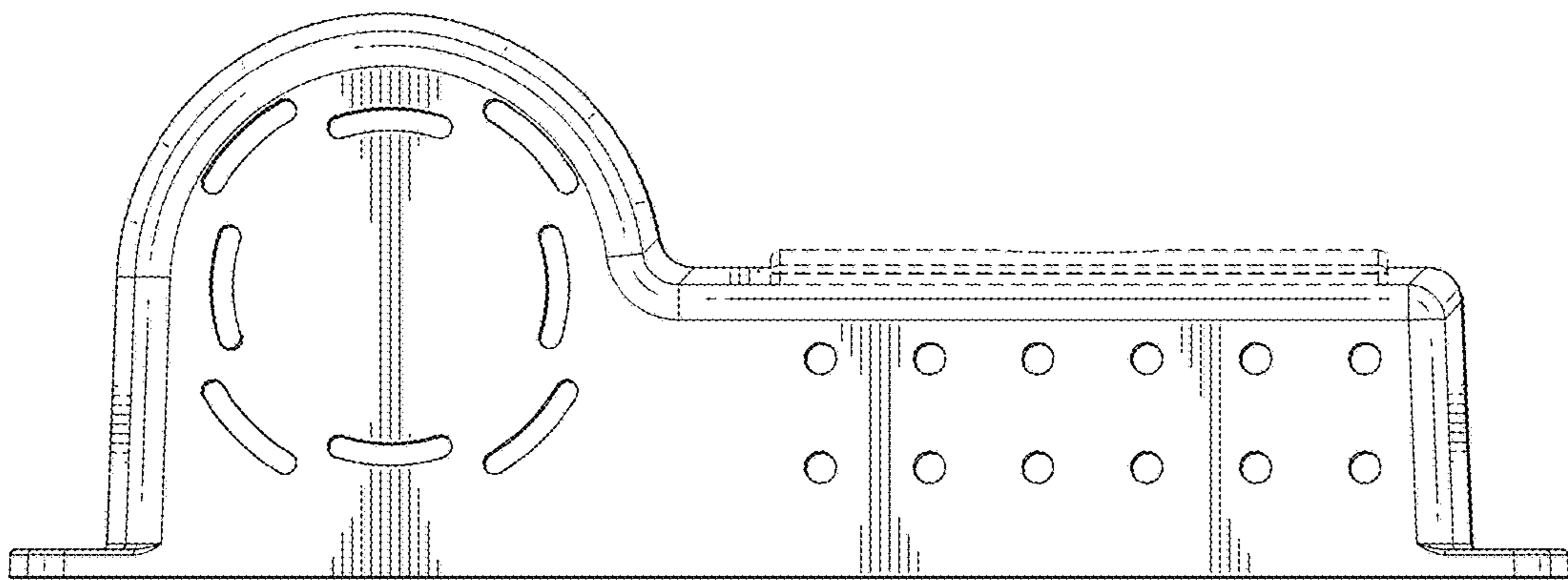
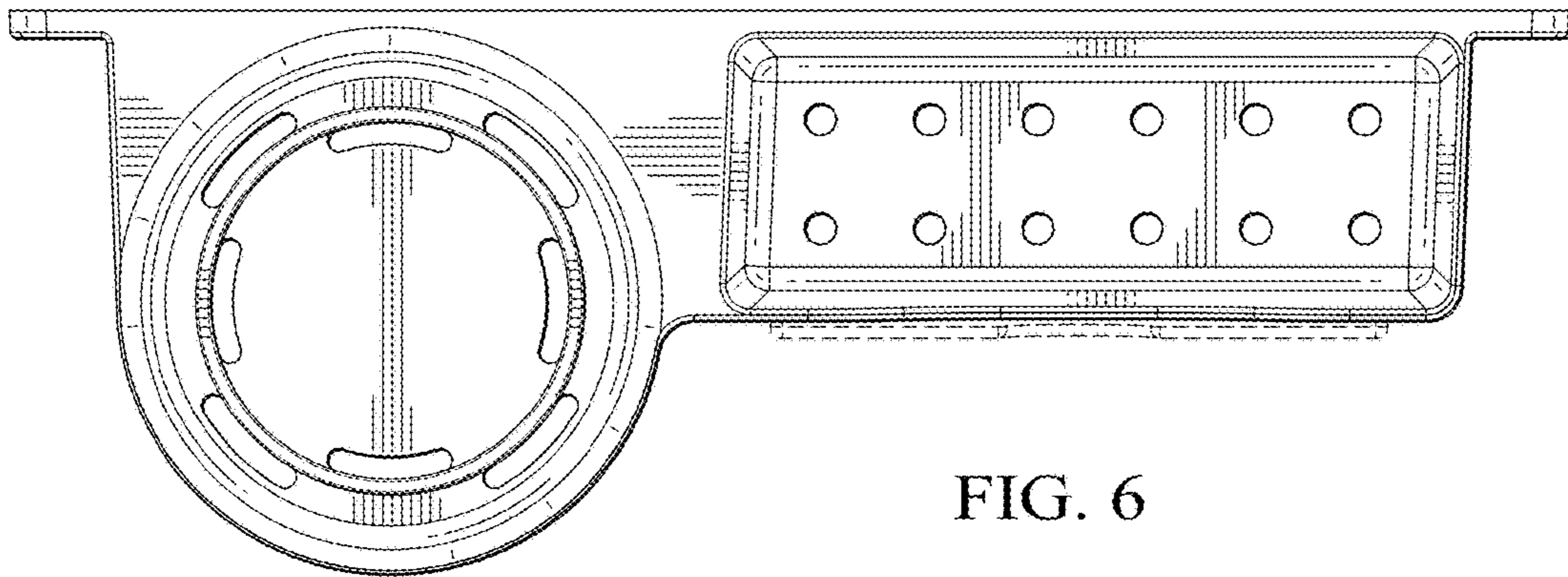


FIG. 5



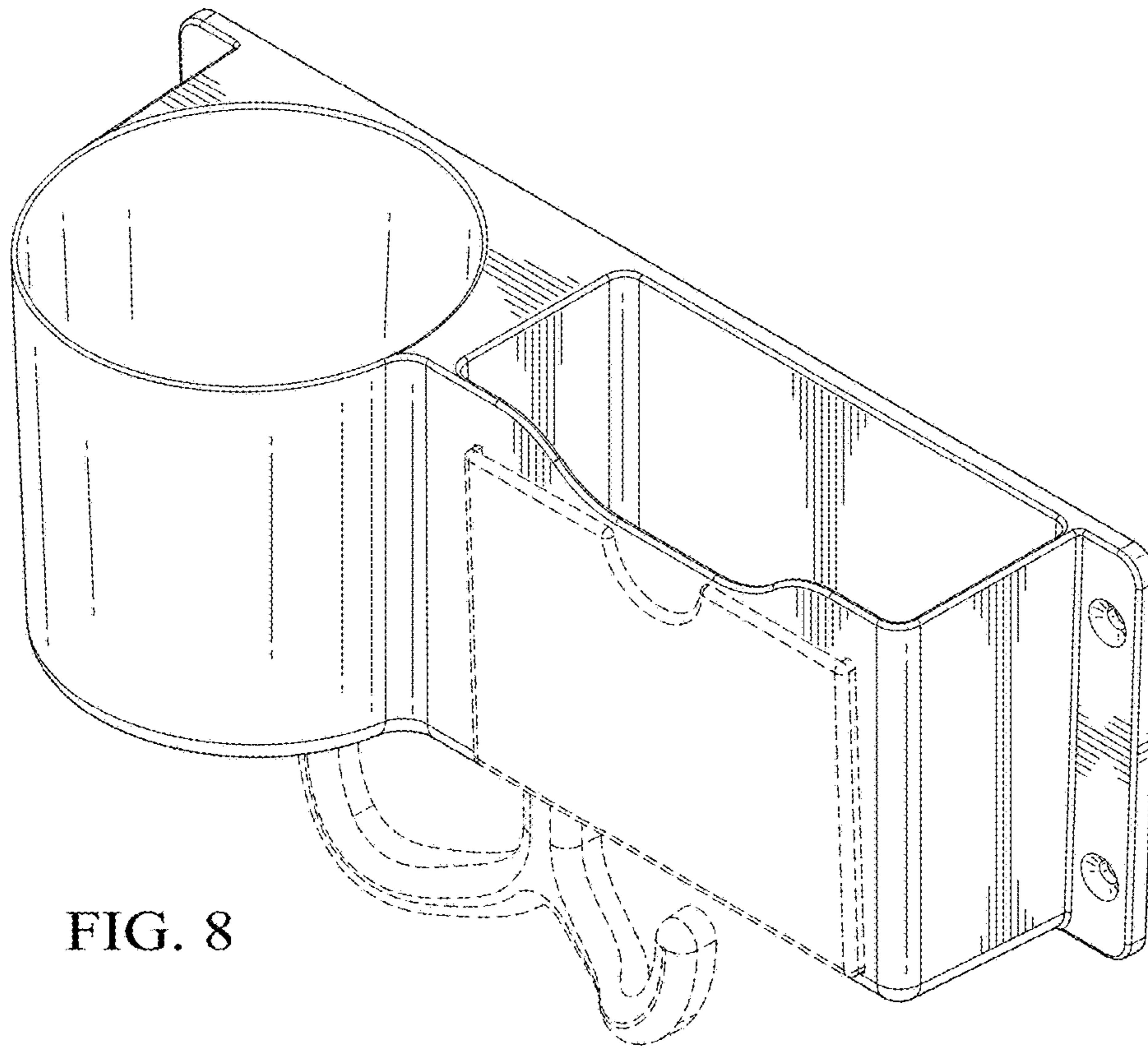


FIG. 8

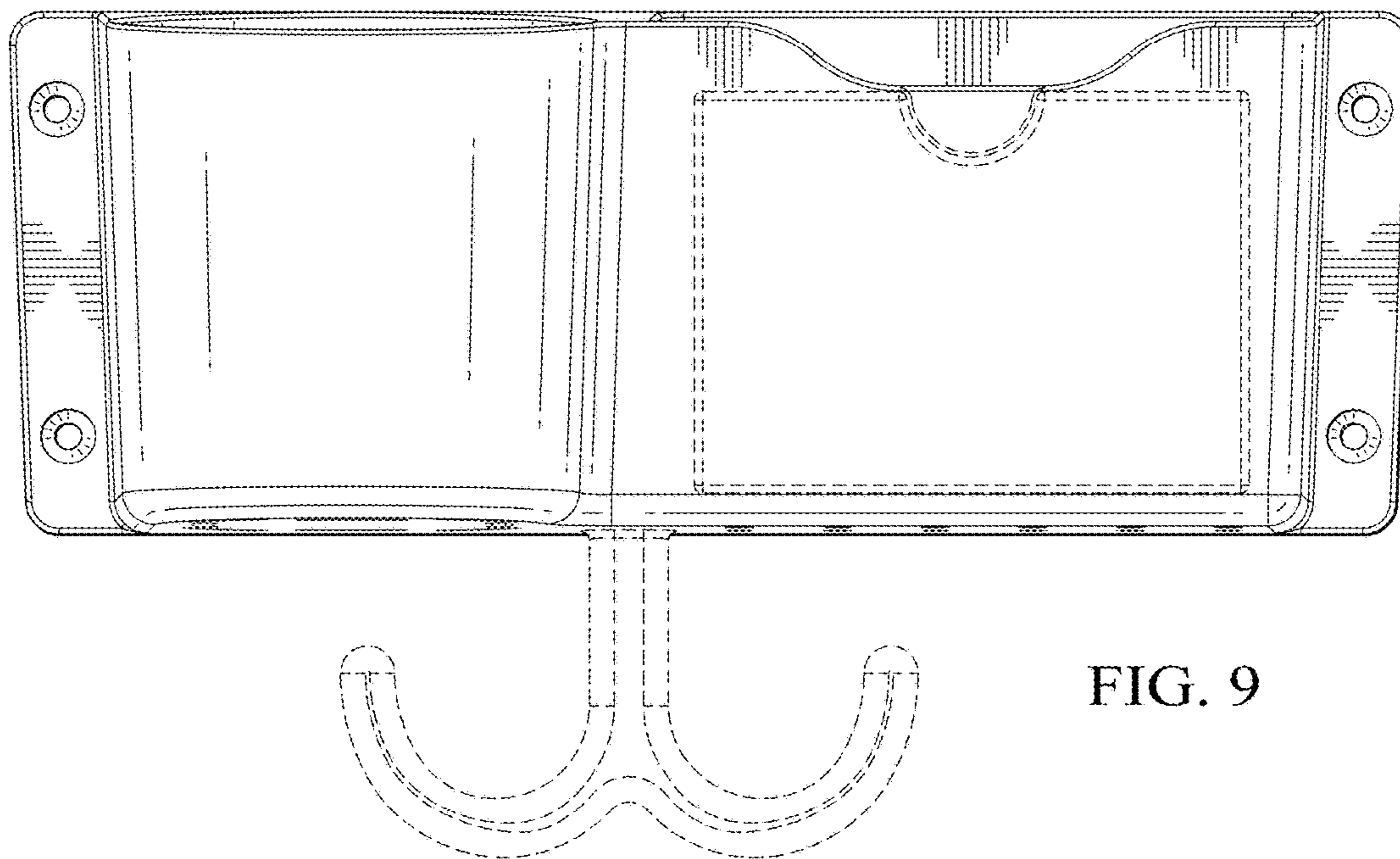


FIG. 9

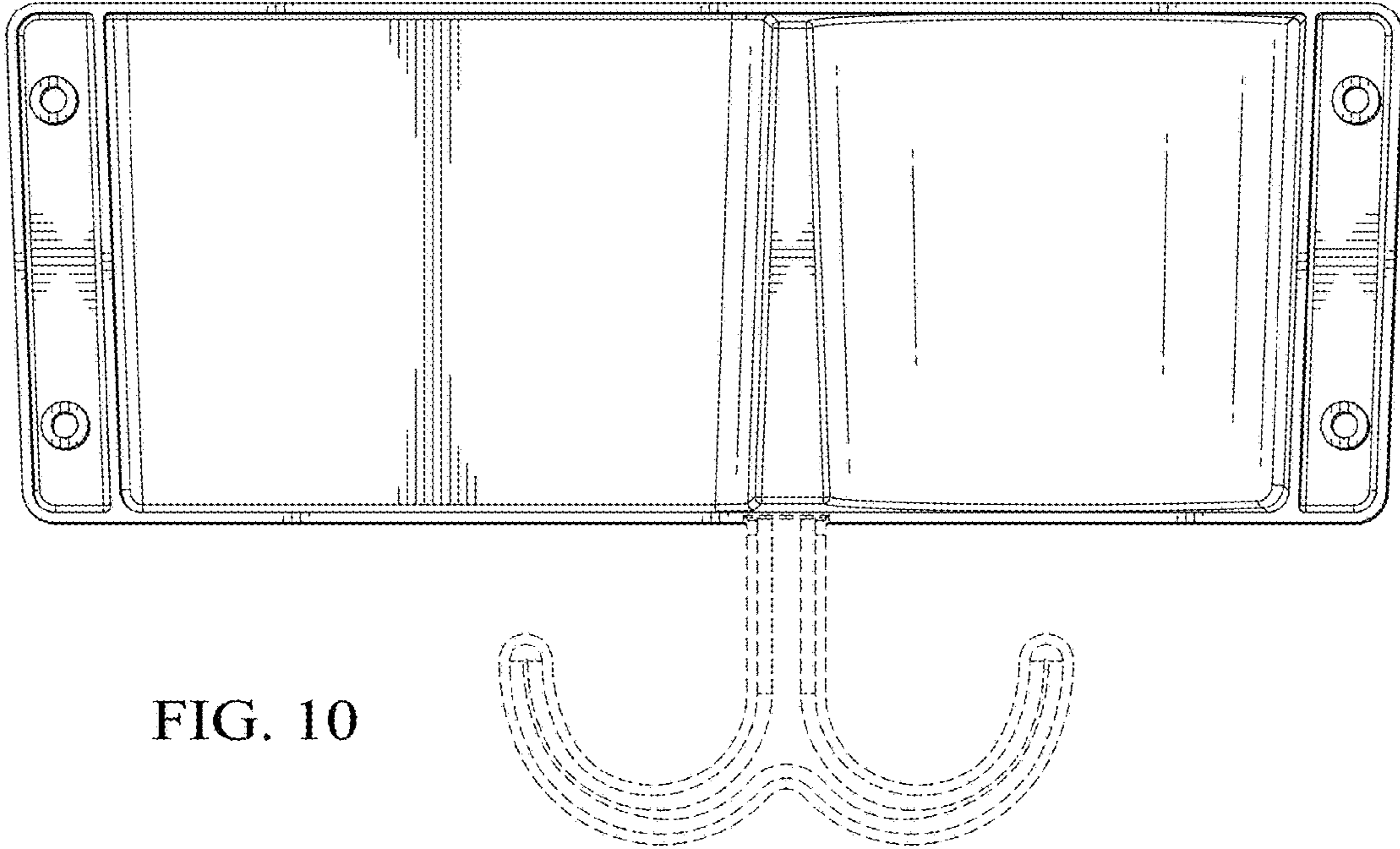


FIG. 10

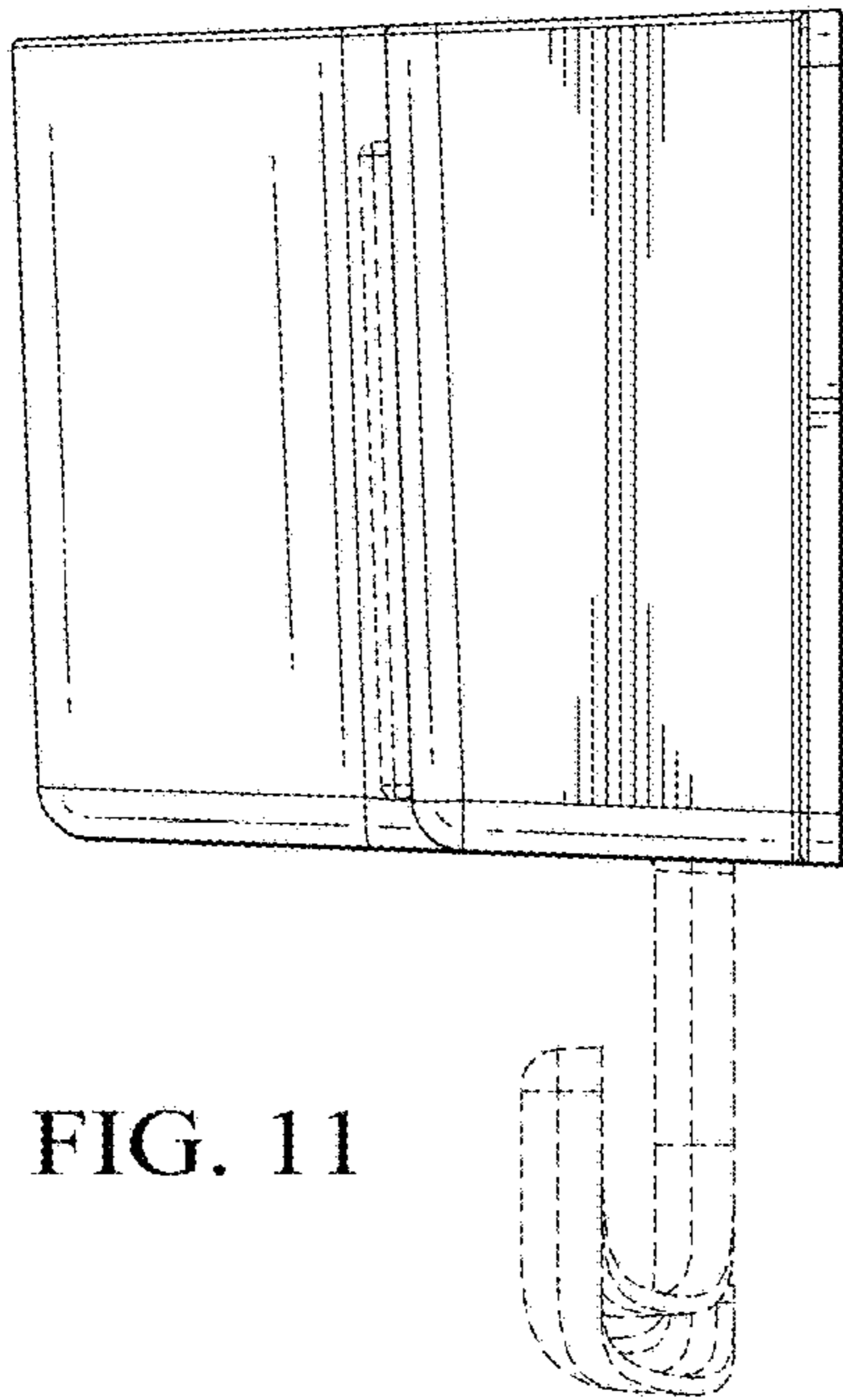


FIG. 11

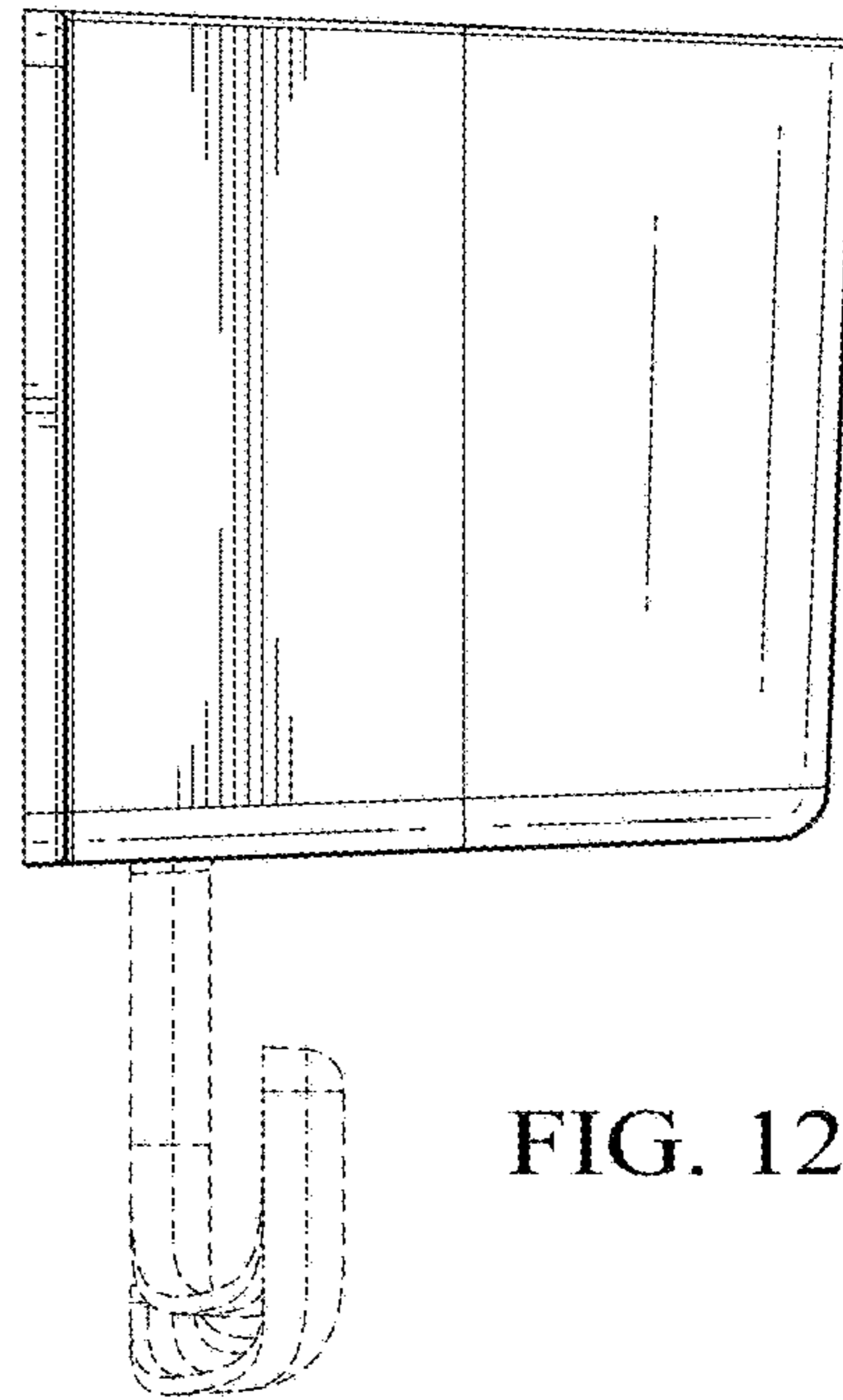


FIG. 12

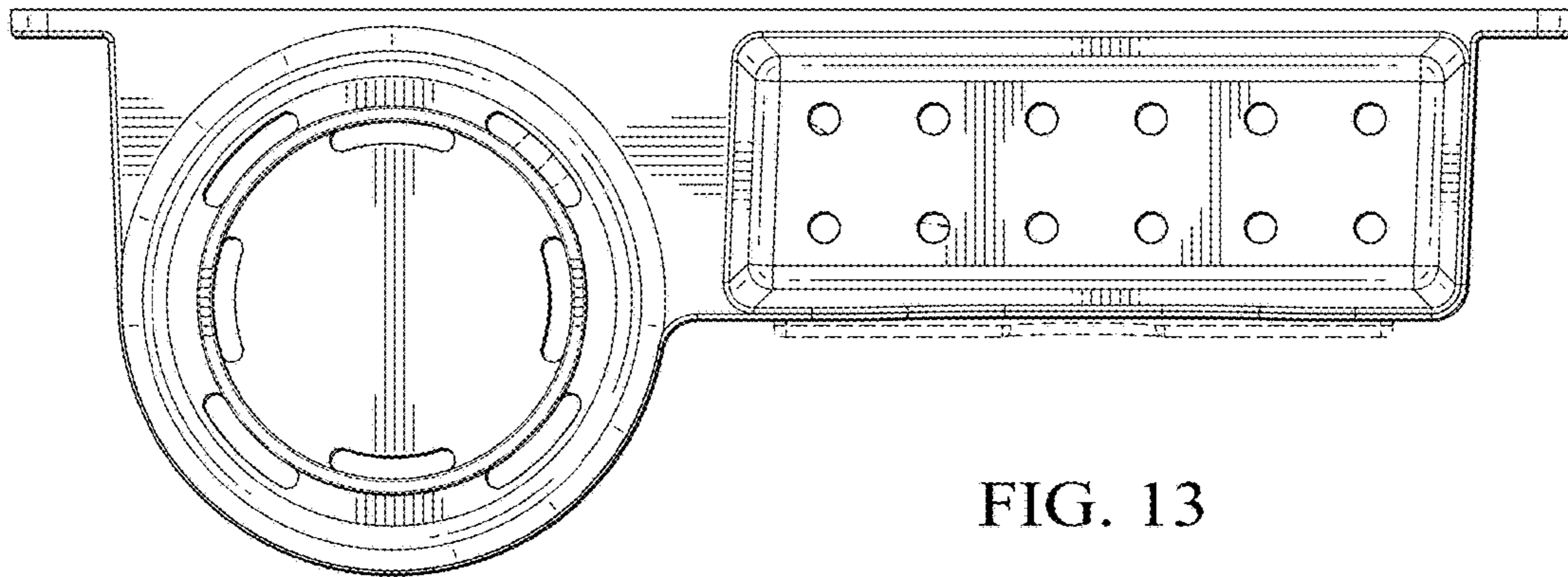


FIG. 13

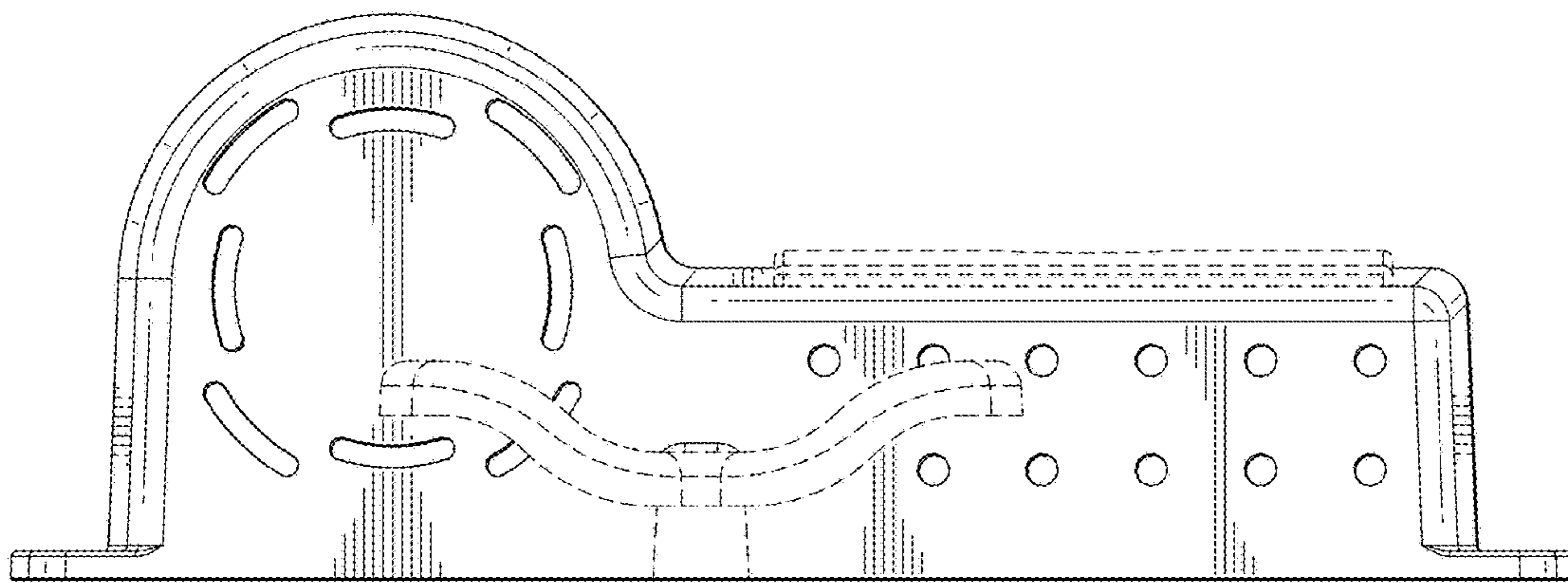


FIG. 14