



US00D848931S

(12) **United States Design Patent** (10) **Patent No.:** **US D848,931 S**
Yang (45) **Date of Patent:** **** *May 21, 2019**

(54) **VEHICLE BACKSEAT MIRROR**
(71) Applicant: **Chunmei Yang**, Shenzhen (CN)
(72) Inventor: **Chunmei Yang**, Shenzhen (CN)
(*) Notice: This patent is subject to a terminal disclaimer.

D538,220 S * 3/2007 Eskandry D12/416
7,862,189 B1 * 1/2011 Freese G02B 7/1822
248/479
D734,242 S * 7/2015 Presman D12/416
9,089,781 B1 * 7/2015 Bush A63G 33/00
D801,910 S * 11/2017 Salisbury D12/416
D810,656 S * 2/2018 Baker D12/416
D819,545 S * 6/2018 O'Connor D12/416
2004/0190167 A1 * 9/2004 Berger B60R 1/008
359/879

(**) Term: **15 Years**

FOREIGN PATENT DOCUMENTS

(21) Appl. No.: **29/667,397**

WO W02002094613 A1 11/2002

(22) Filed: **Oct. 22, 2018**

* cited by examiner

(51) **LOC (11) Cl.** **12-16**

Primary Examiner — Katrina A Betton

(52) **U.S. Cl.**
USPC **D12/416**

(57) **CLAIM**

(58) **Field of Classification Search**
USPC D12/415-419, 423; D6/513, 514, 611,
D6/553, 556, 559; D7/601-602,
D7/605-607; D3/216, 217, 319
CPC B65D 33/00; B64D 11/0636; B60N 3/004
See application file for complete search history.

The ornamental design for a vehicle backseat mirror, as shown and described.

DESCRIPTION

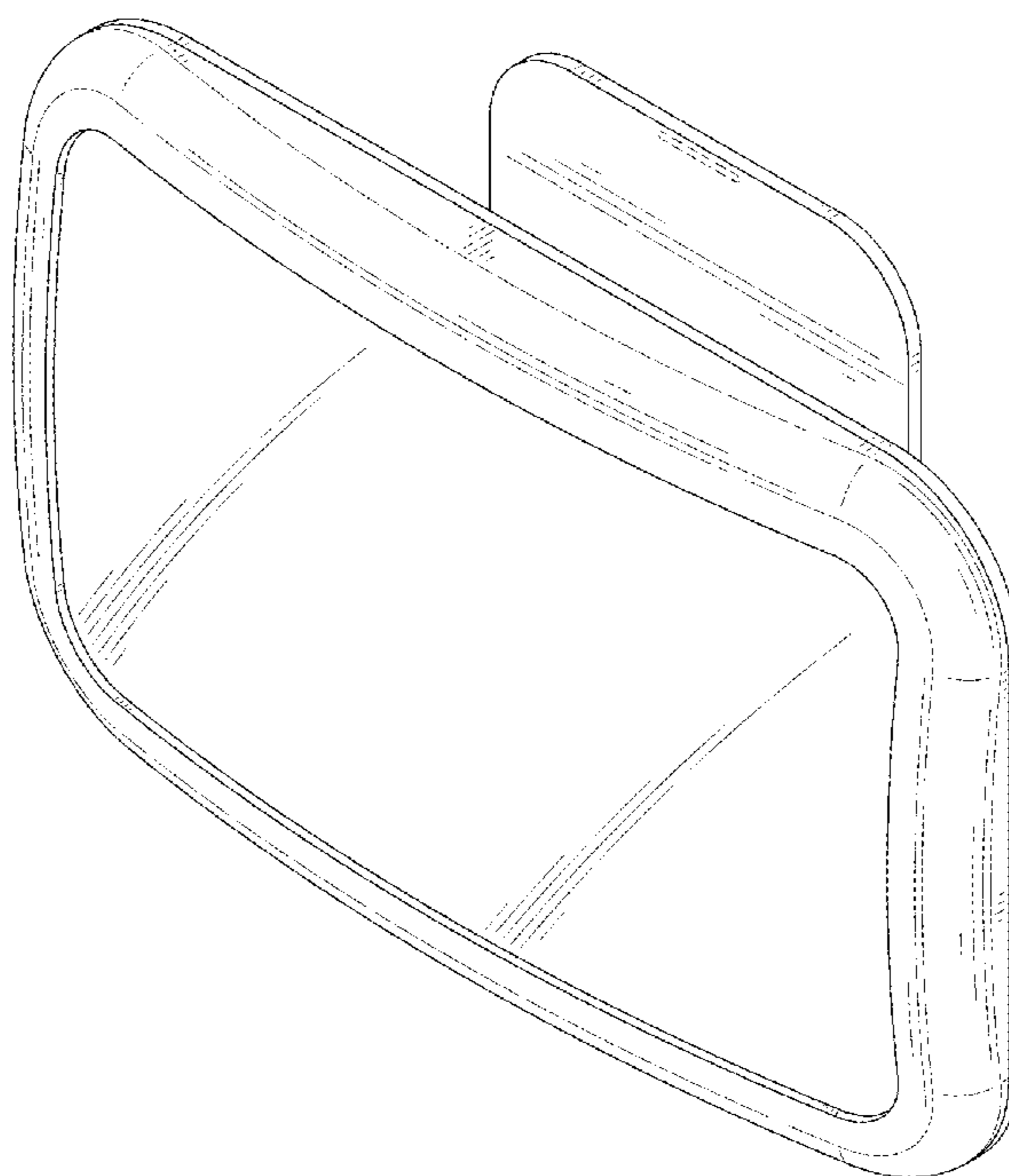
(56) **References Cited**

U.S. PATENT DOCUMENTS

D332,076 S 12/1992 El-Faham
6,179,267 B1 1/2001 Johnston
6,354,708 B1 * 3/2002 Monahan B60R 1/008
359/871
6,585,384 B2 * 7/2003 Nielsen B60R 1/008
359/838
D506,074 S * 6/2005 Chen D6/300
7,097,314 B1 * 8/2006 Darling B60R 1/008
359/872

FIG. 1 is a perspective view of a vehicle backseat mirror showing my new design;
FIG. 2 is another perspective view thereof;
FIG. 3 is a front elevational view thereof;
FIG. 4 is a rear elevational view thereof;
FIG. 5 is a left side elevational view thereof;
FIG. 6 is a right side elevational view thereof;
FIG. 7 is a top plan view thereof; and,
FIG. 8 is a bottom plan view thereof.
The broken lines in the drawings are for the purpose of illustrating portions of the vehicle backseat mirror and form no part of the claimed design.

1 Claim, 8 Drawing Sheets



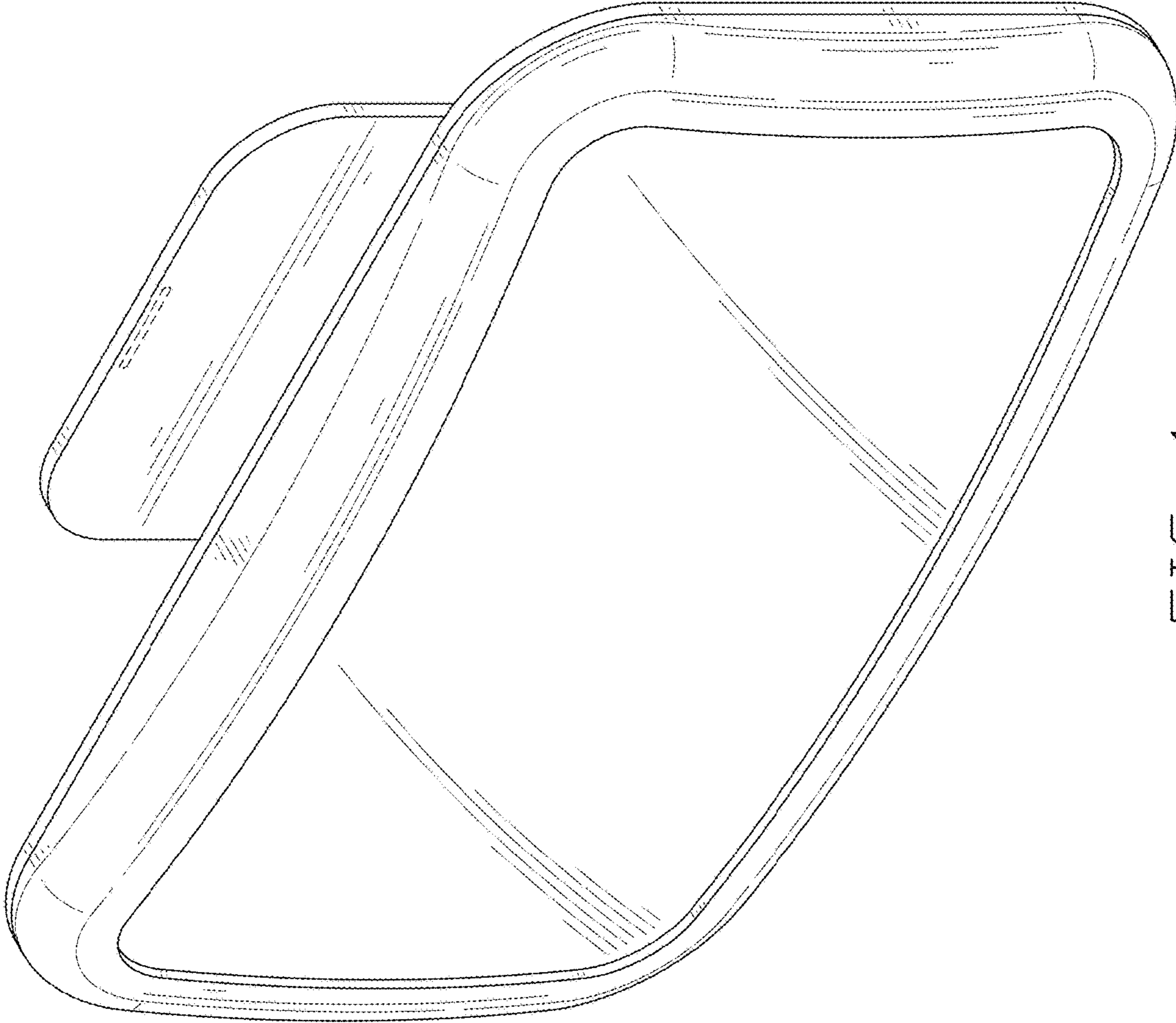


FIG. 1

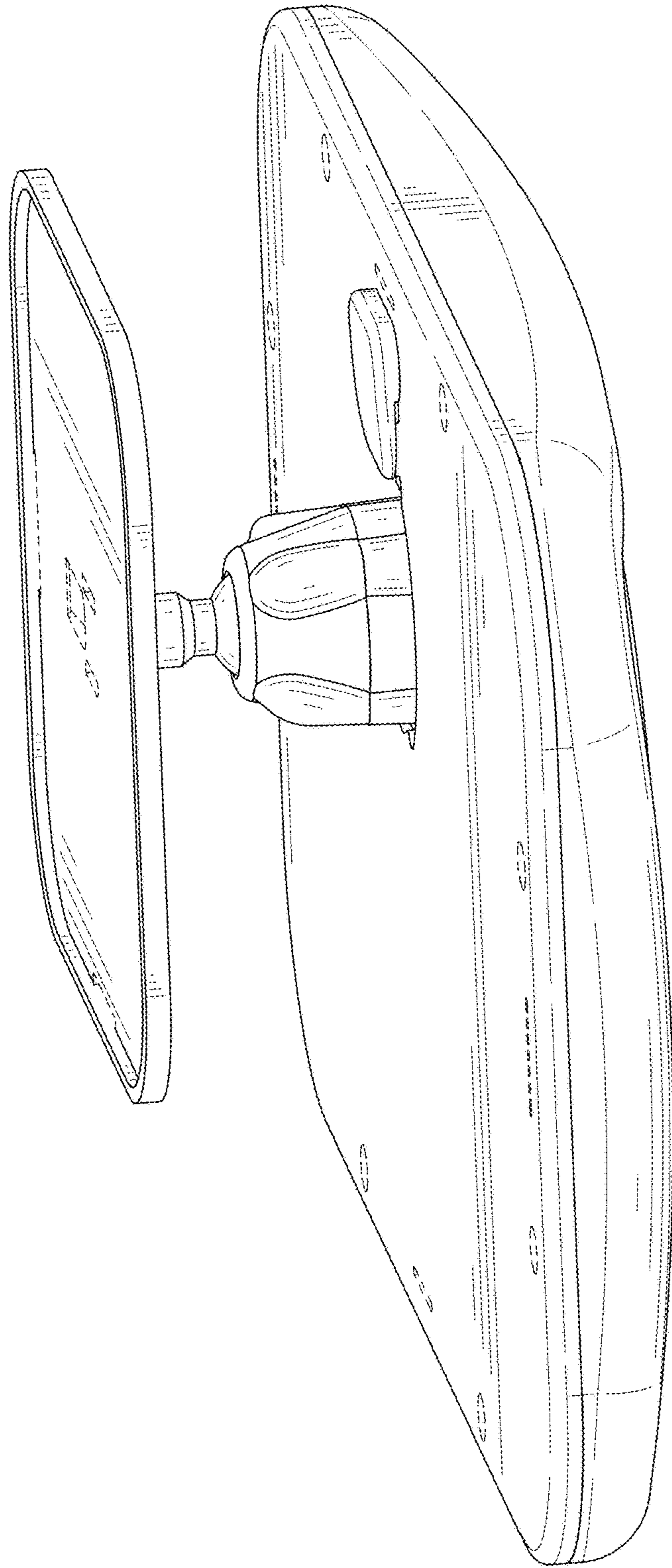


FIG. 2

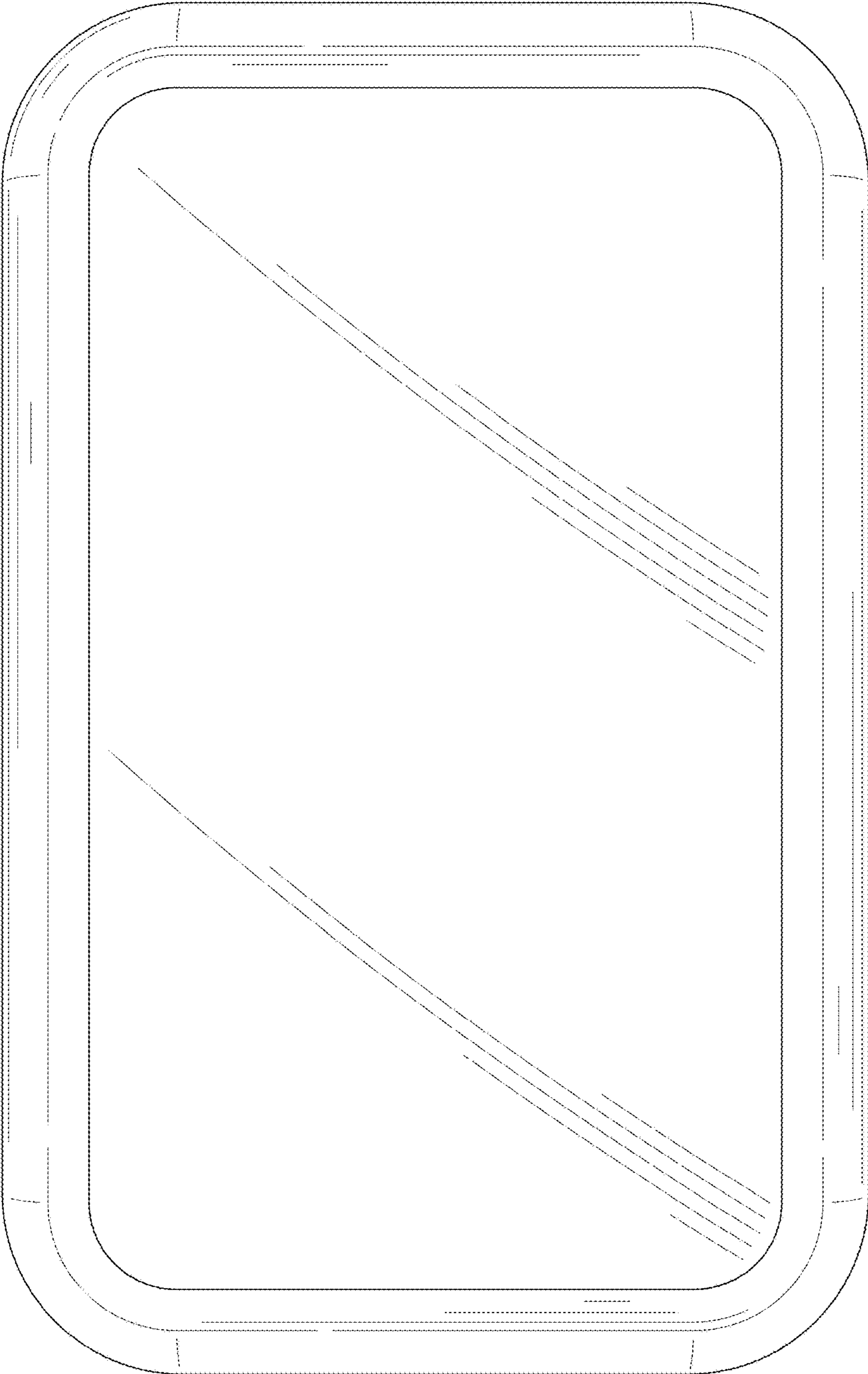


FIG. 3

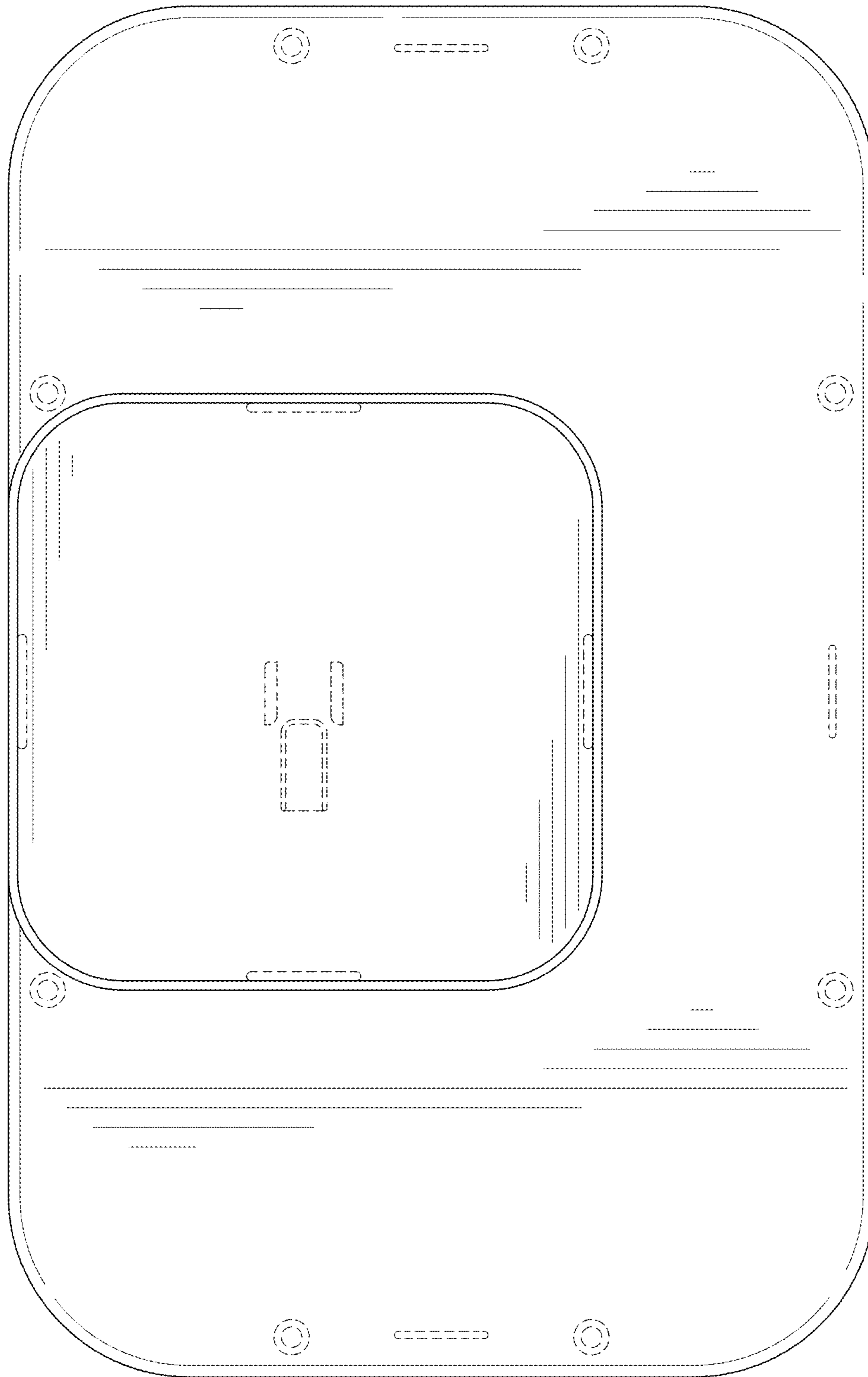


FIG. 4

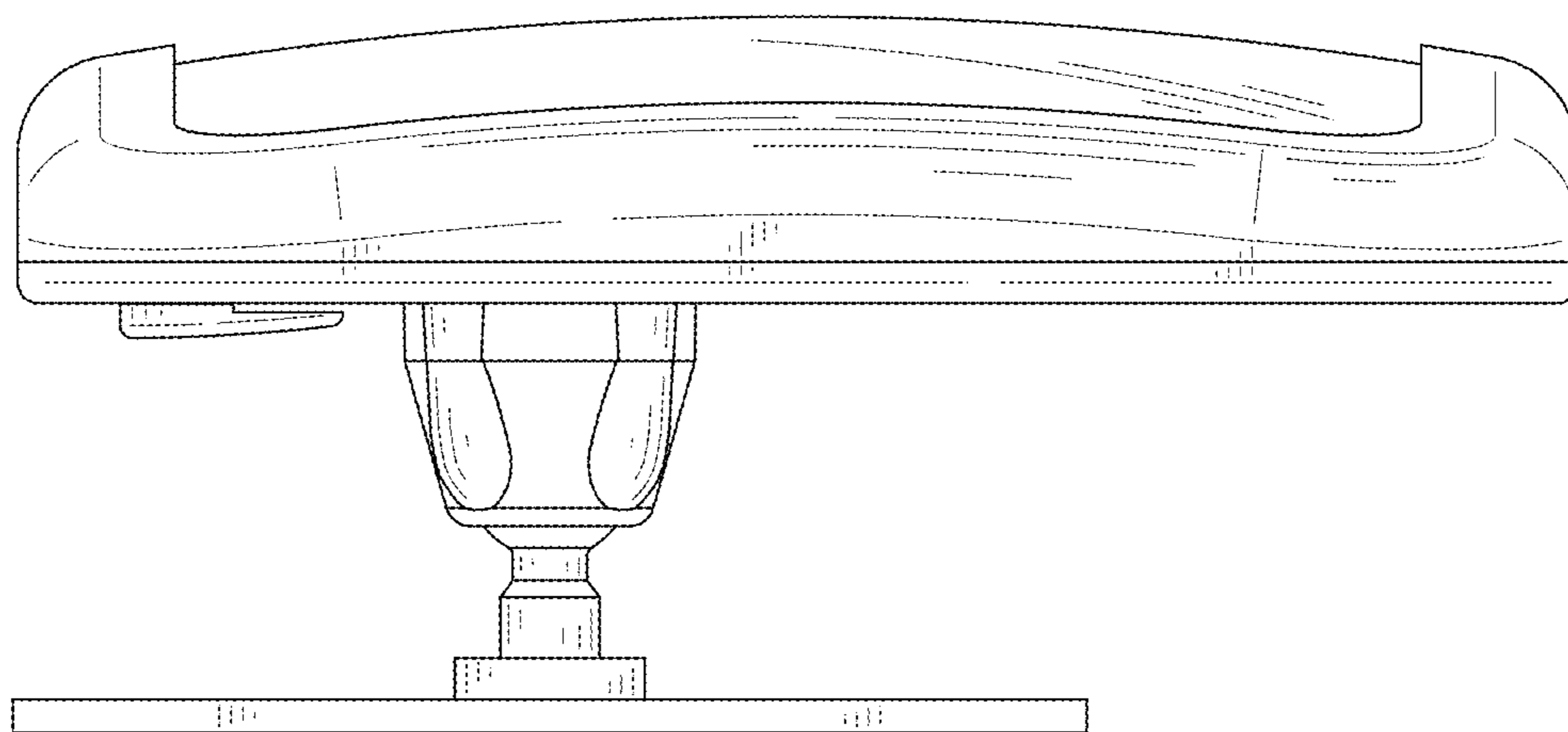


FIG. 5

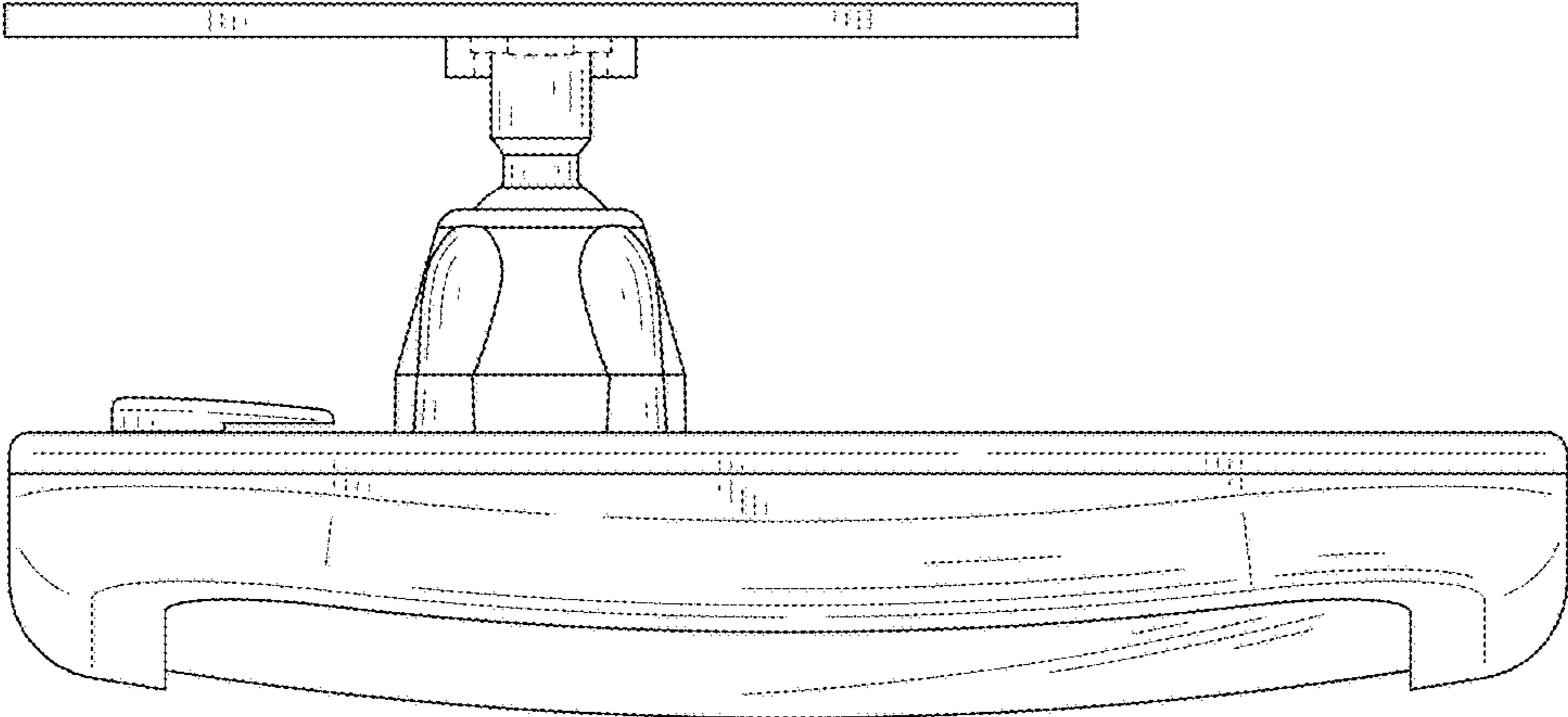


FIG. 6

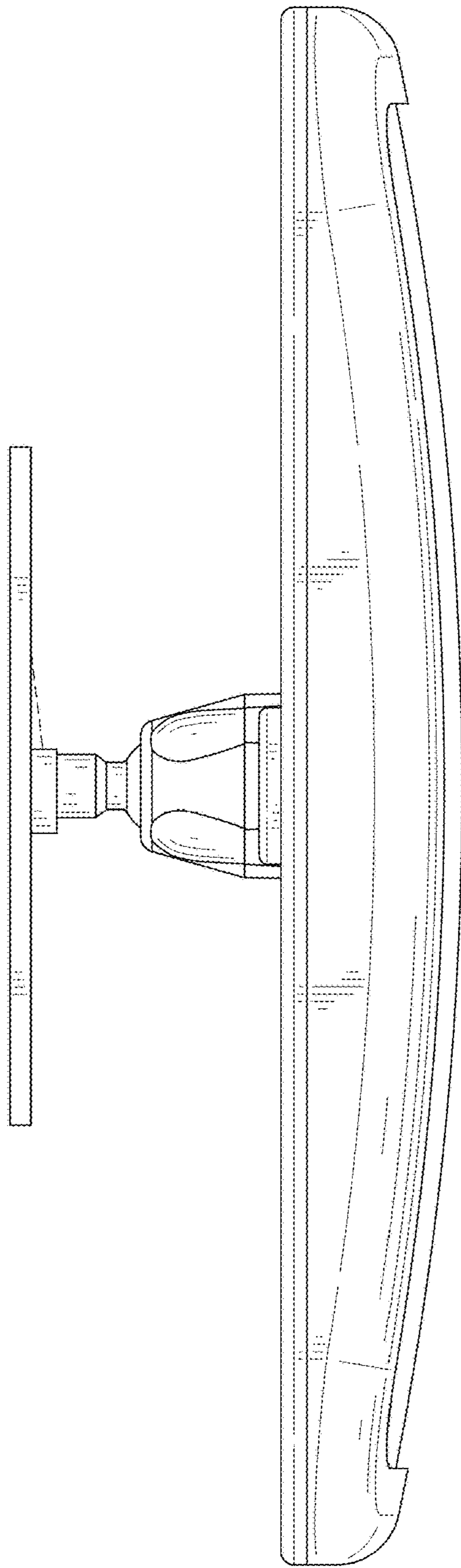


FIG. 7

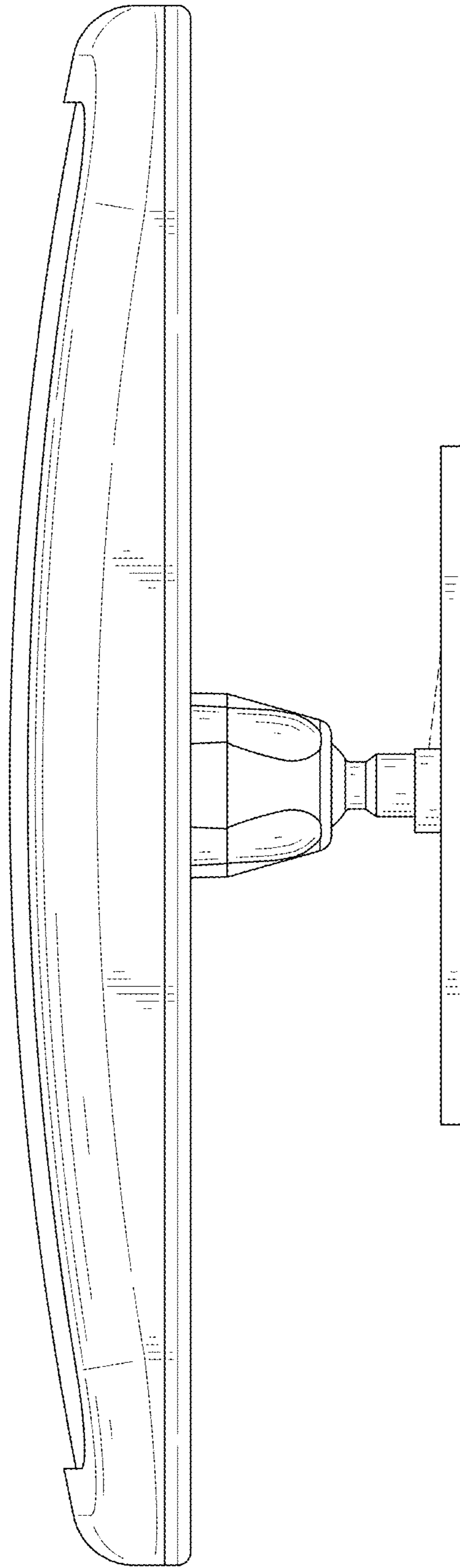


FIG. 8