

US00D848926S

(12) **United States Design Patent**
Tran

(10) **Patent No.:** **US D848,926 S**

(45) **Date of Patent:** **** May 21, 2019**

(54) **WHEEL**

(71) Applicant: **Wheel Pros, LLC**, Greenwood Village,
CO (US)

(72) Inventor: **Peter Tran**, Buena Park, CA (US)

(**) Term: **15 Years**

(21) Appl. No.: **29/649,642**

(22) Filed: **May 31, 2018**

(51) **LOC (11) Cl.** **12-16**

(52) **U.S. Cl.**
USPC **D12/209**

(58) **Field of Classification Search**
USPC D12/204–213
CPC B60B 7/00; B60B 7/02; B60B 7/04; B60B
7/01; B60B 7/06; B60B 3/02; B60B 3/04;
B60B 3/06; B60B 3/10; B60B 1/00;
B60B 1/08; B60B 1/10; B60B 1/12
See application file for complete search history.

(56) **References Cited**

U.S. PATENT DOCUMENTS

D702,174 S * 4/2014 Gordon D12/213
D722,132 S * 2/2015 Foohey D23/209

D751,489 S * 3/2016 Chung D12/213
D756,282 S * 5/2016 Zhao D12/209
D798,211 S * 9/2017 Chung D12/209
D824,315 S * 7/2018 Tran D12/209
D824,316 S * 7/2018 Tran D12/209
D825,423 S * 8/2018 Henderson D12/209
D826,819 S * 8/2018 Chung D12/209
D833,361 S * 11/2018 Han D12/209
D833,945 S * 11/2018 Henderson D12/209
D834,490 S * 11/2018 Henderson D12/213
D837,715 S * 1/2019 Henderson D12/209
D838,228 S * 1/2019 Chung D12/213

* cited by examiner

Primary Examiner — Stacia A Cadmus

(74) *Attorney, Agent, or Firm* — Eric Hanscom

(57) **CLAIM**

The ornamental design for a wheel, as shown and described.

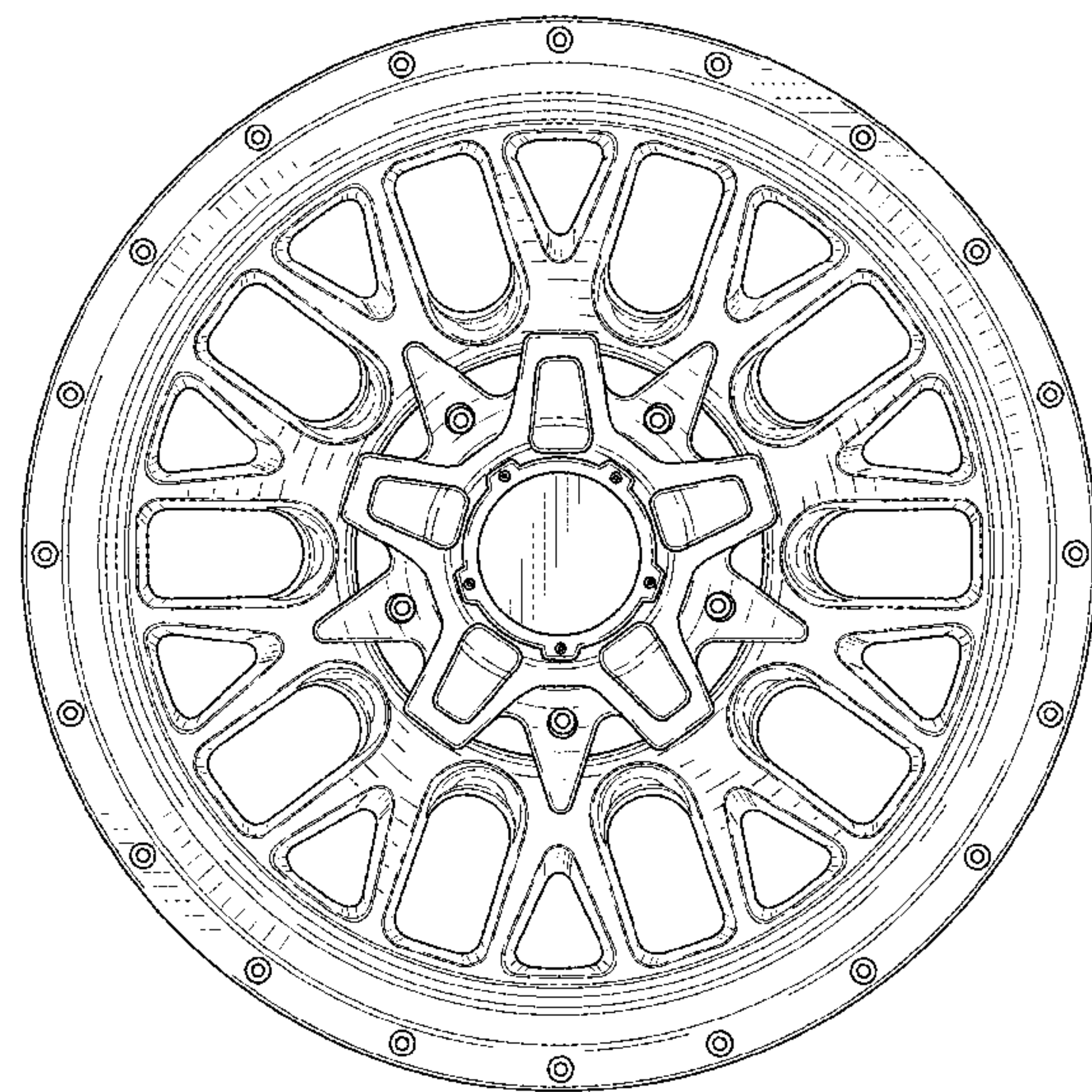
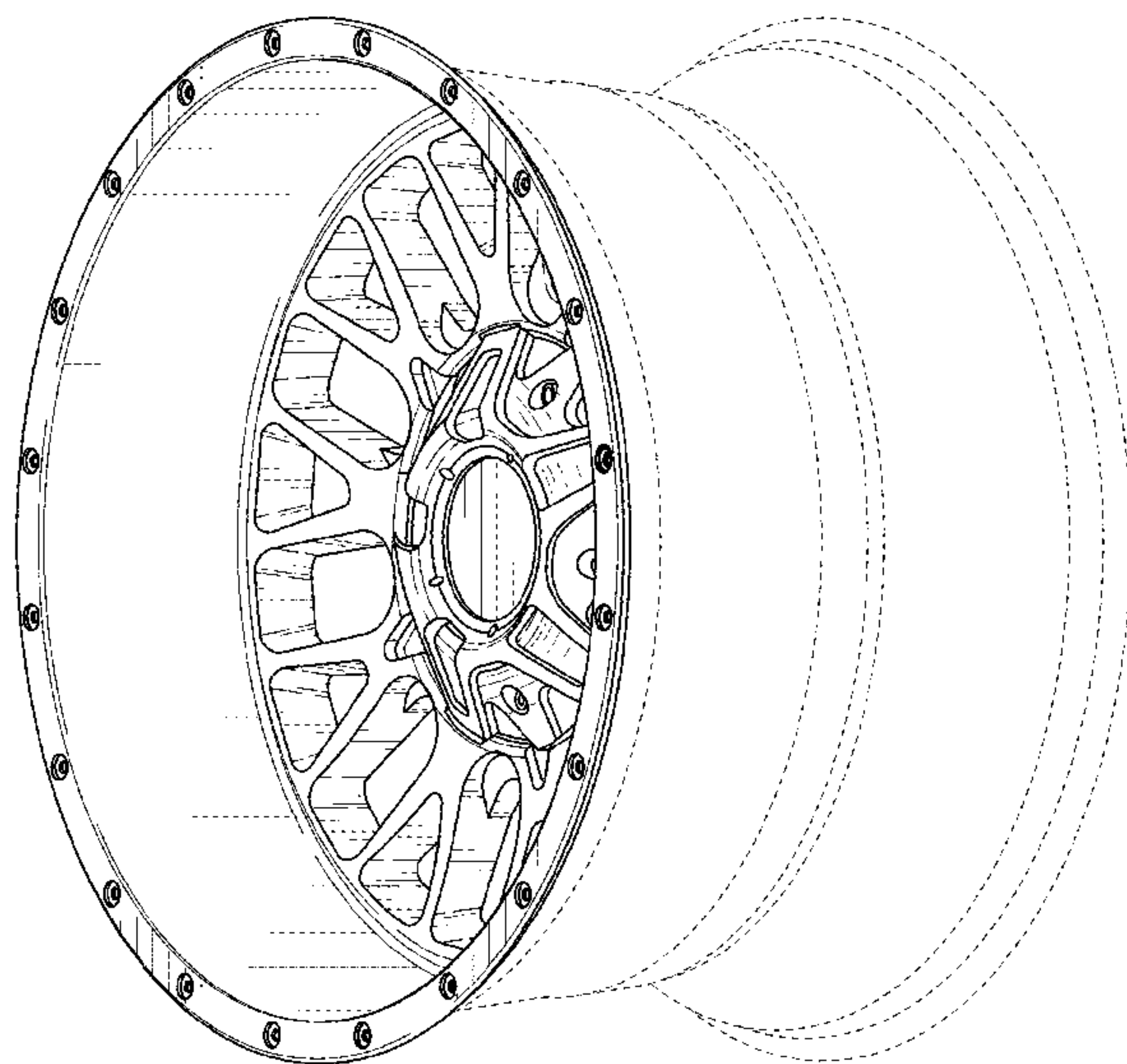
DESCRIPTION

FIG. 1 is a perspective view of a wheel showing my new design; and,

FIG. 2 is a front view thereof.

In the drawings, broken lines shown in the drawings depict environmental subject matter only and form no part of the claimed design.

1 Claim, 2 Drawing Sheets



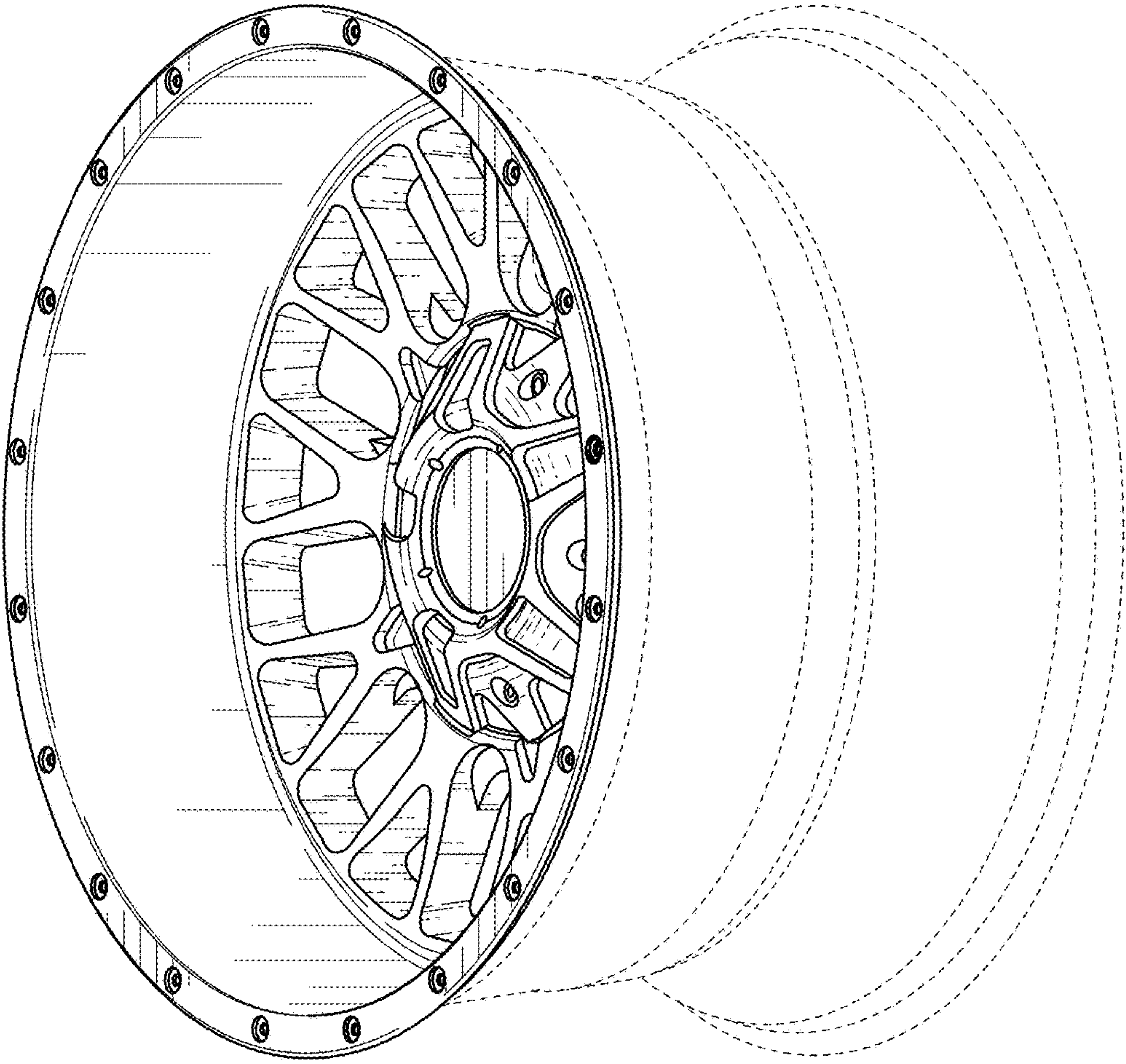


FIG. 1

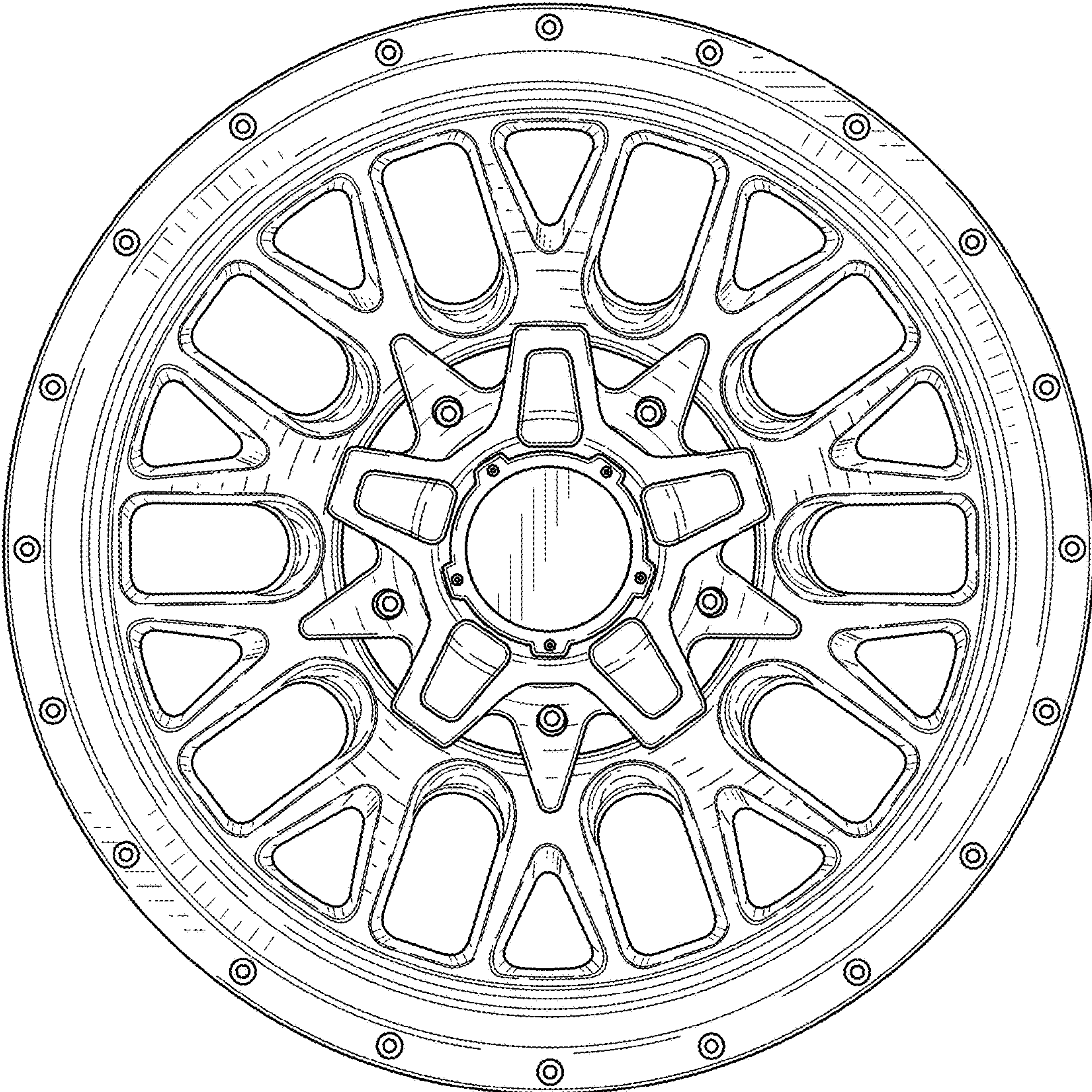


FIG. 2