



US00D848922S

(12) **United States Design Patent**
Tovey

(10) **Patent No.:** **US D848,922 S**

(45) **Date of Patent:** **** May 21, 2019**

(54) **WHEEL**

(71) Applicant: **Jaguar Land Rover Limited**, Whitley,
Coventry (GB)

(72) Inventor: **Simon Tovey**, Coventry (GB)

(73) Assignee: **Jaguar Land Rover Limited**, Whitley
Coventry (GB)

(**) Term: **15 Years**

(21) Appl. No.: **29/624,950**

(22) Filed: **Nov. 6, 2017**

(30) **Foreign Application Priority Data**

May 11, 2017 (EM) 003997071

(51) **LOC (11) Cl.** **12-16**

(52) **U.S. Cl.**
USPC **D12/209**

(58) **Field of Classification Search**

USPC D12/204–213
CPC B60B 7/00; B60B 7/02; B60B 7/04; B60B
7/01; B60B 7/06; B60B 3/04; B60B 1/00;
B60B 3/10; B60B 1/10; B60B 1/08;
B60B 3/06; B60B 1/12; B60B 3/02

See application file for complete search history.

(56) **References Cited**

U.S. PATENT DOCUMENTS

D612,788 S * 3/2010 Junker D12/209
D669,833 S * 10/2012 Pollmann D12/209

D682,761 S * 5/2013 Pollmann D12/209
D683,681 S * 6/2013 Juergens D12/209
D695,669 S * 12/2013 Pollmann D12/209
D725,569 S * 3/2015 Komukai D12/209
D752,496 S * 3/2016 Smith D12/209
D753,045 S * 4/2016 Kawaguchi D12/209
D762,543 S * 8/2016 Hara D12/209
D775,044 S * 12/2016 Smith D12/209
D798,212 S * 9/2017 Chung D12/209
D819,536 S * 6/2018 Austin D12/209
D825,424 S * 8/2018 Setter D12/209
D834,485 S * 11/2018 Manzoni D12/209

* cited by examiner

Primary Examiner — Stacia A Cadmus

(74) *Attorney, Agent, or Firm* — Wood Herron & Evans
LLP

(57) **CLAIM**

The ornamental design for a wheel, as shown and described.

DESCRIPTION

FIG. 1 is a front left perspective view of a wheel for a vehicle according to the present invention.

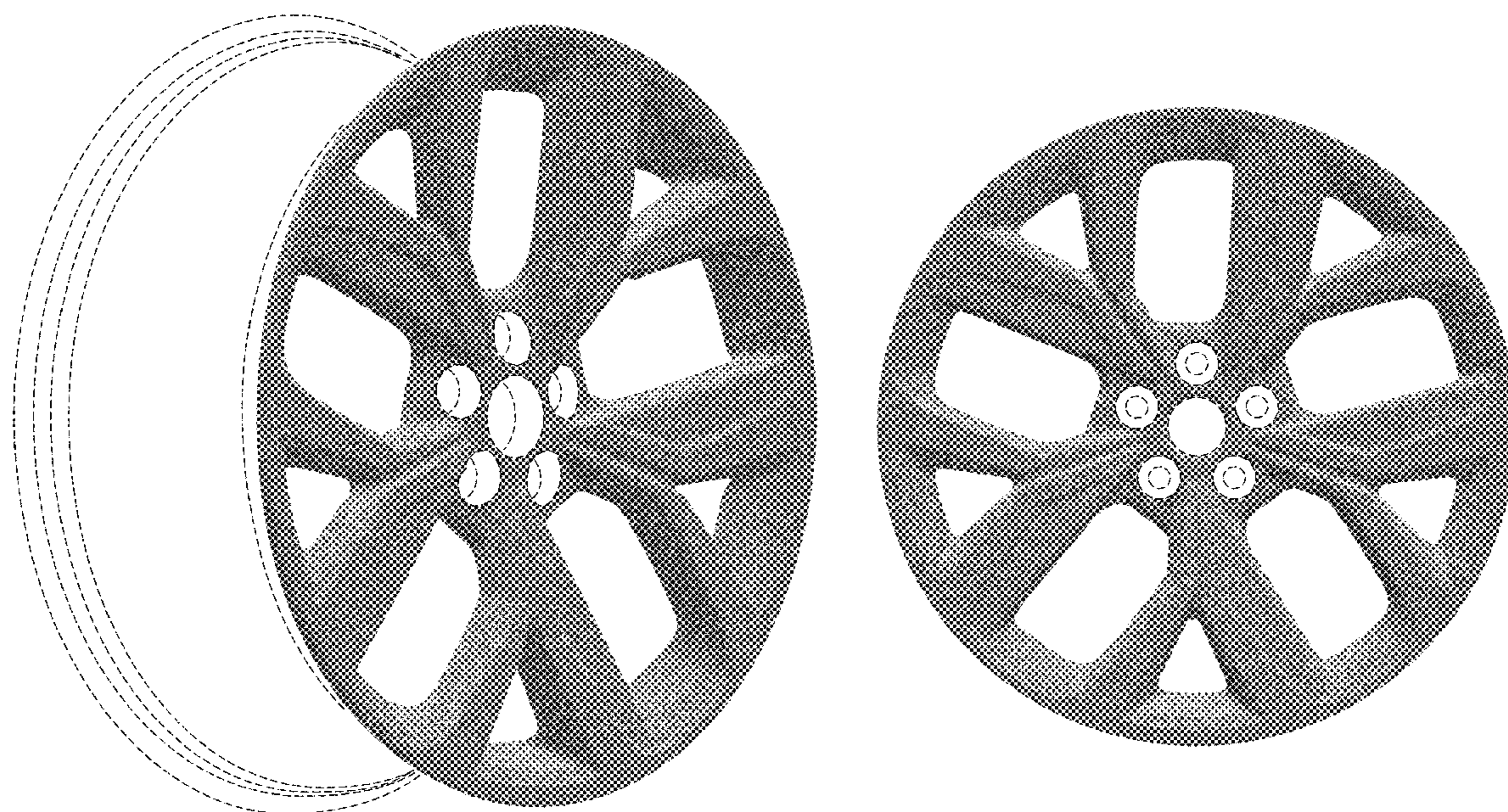
FIG. 2 is a front view of the wheel shown in FIG. 1.

FIG. 3 is a left side view thereof, the right side being a mirror image thereof.

FIG. 4 is a front left perspective view of a wheel for a vehicle according to the present invention.

FIG. 5 is a front view of the wheel shown in FIG. 11; and, FIG. 6 is a left side view thereof, the right side being a mirror image thereof.

1 Claim, 4 Drawing Sheets



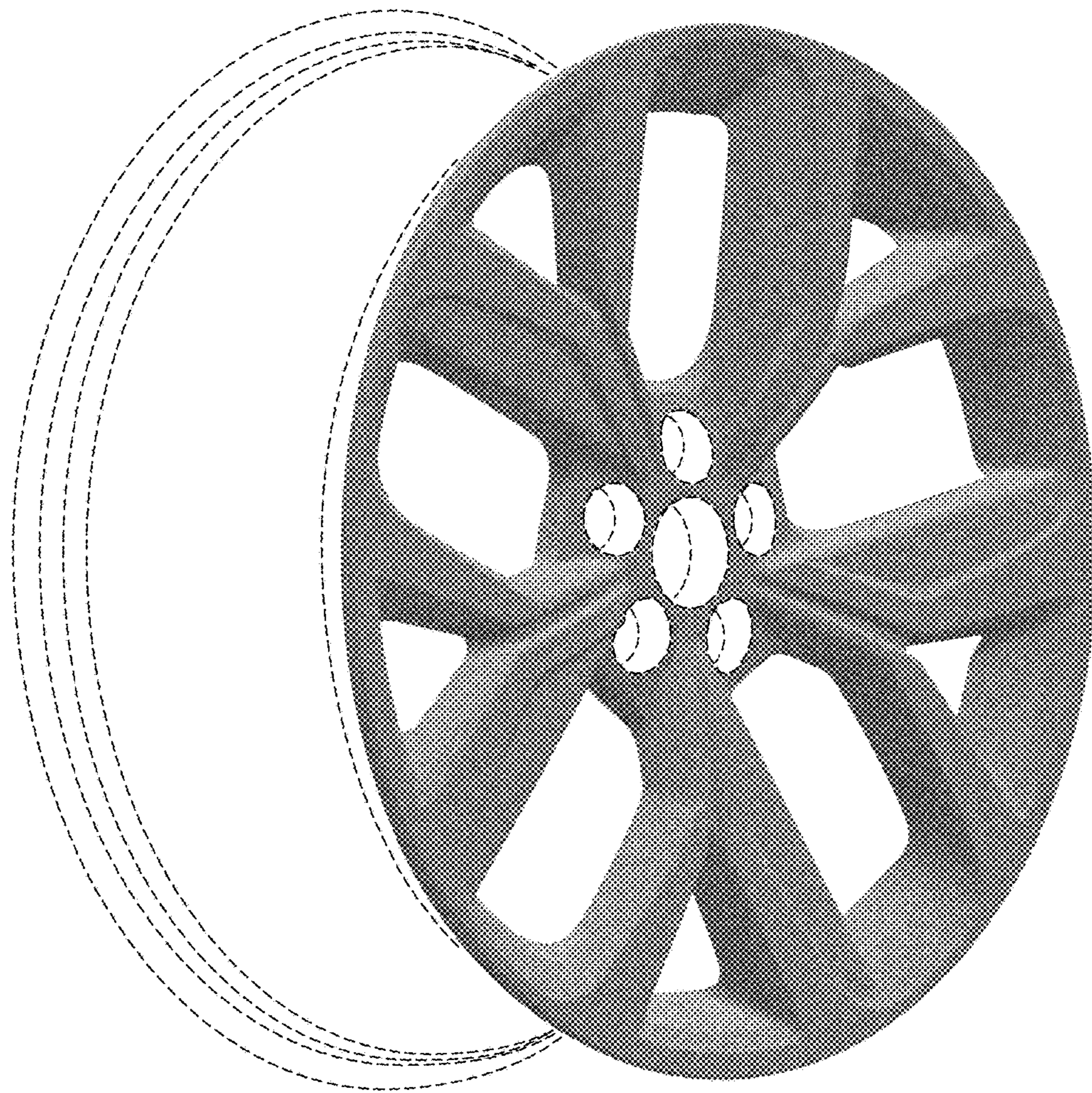


FIG. 1

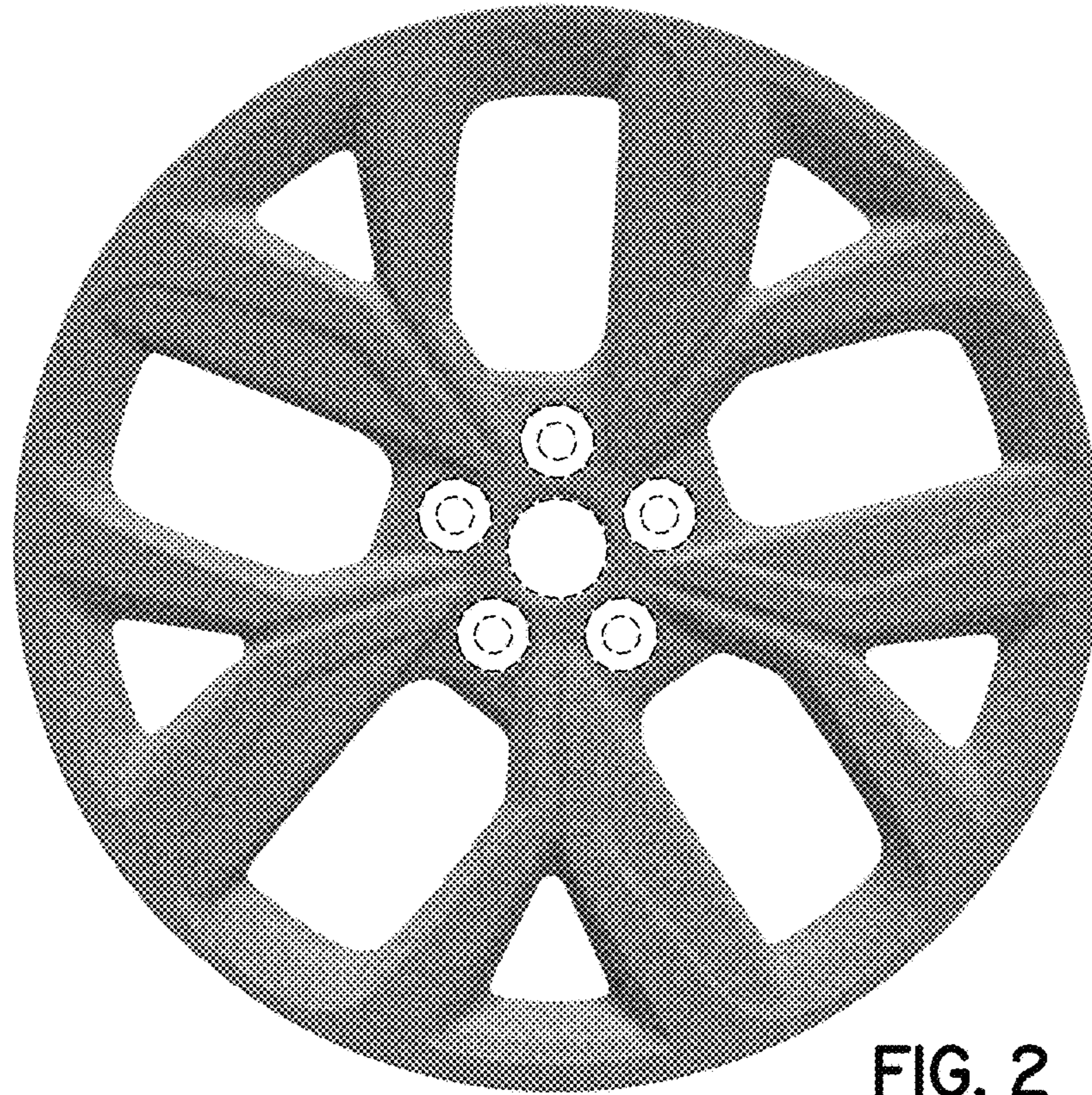


FIG. 2

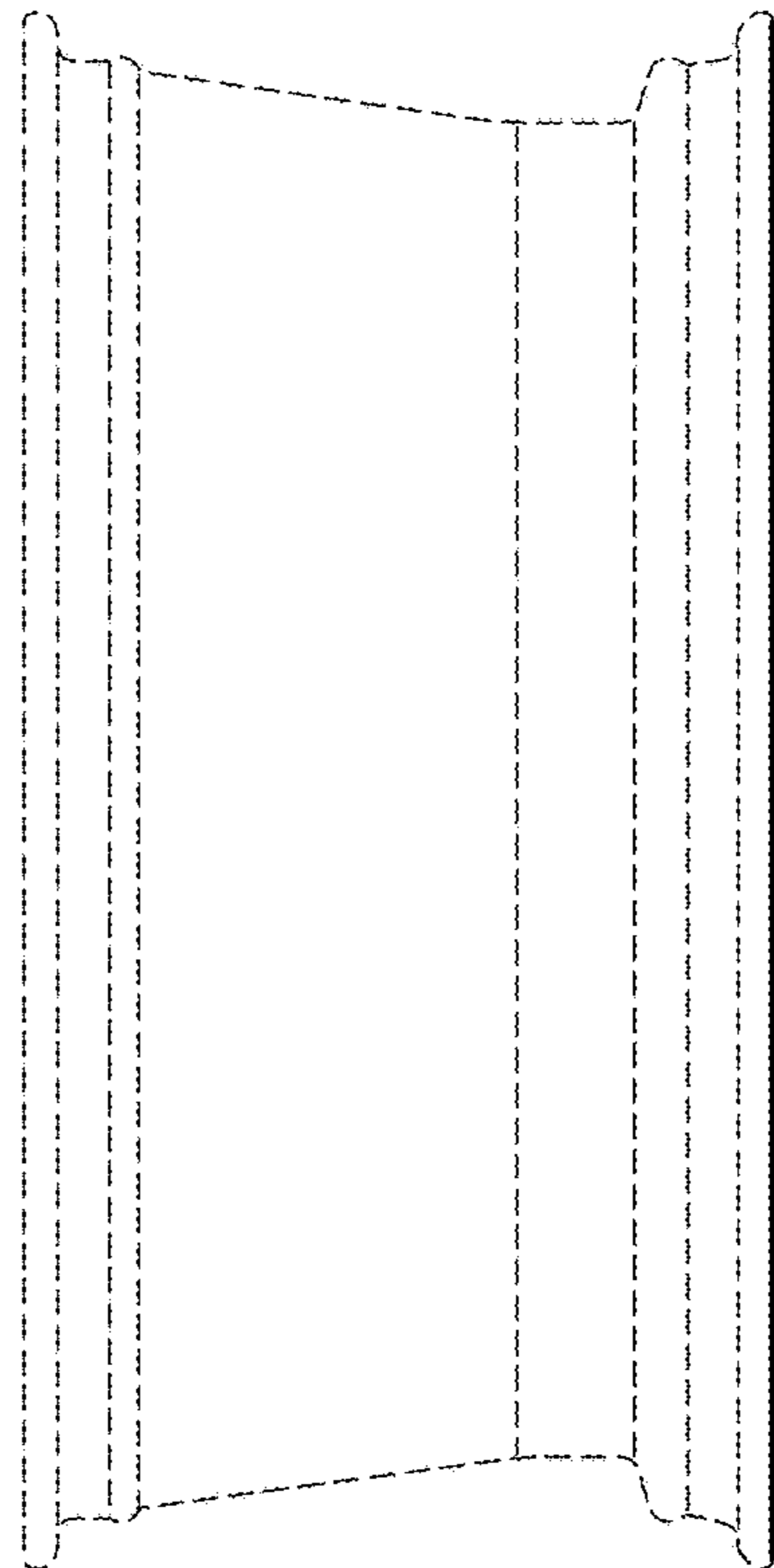


FIG. 3

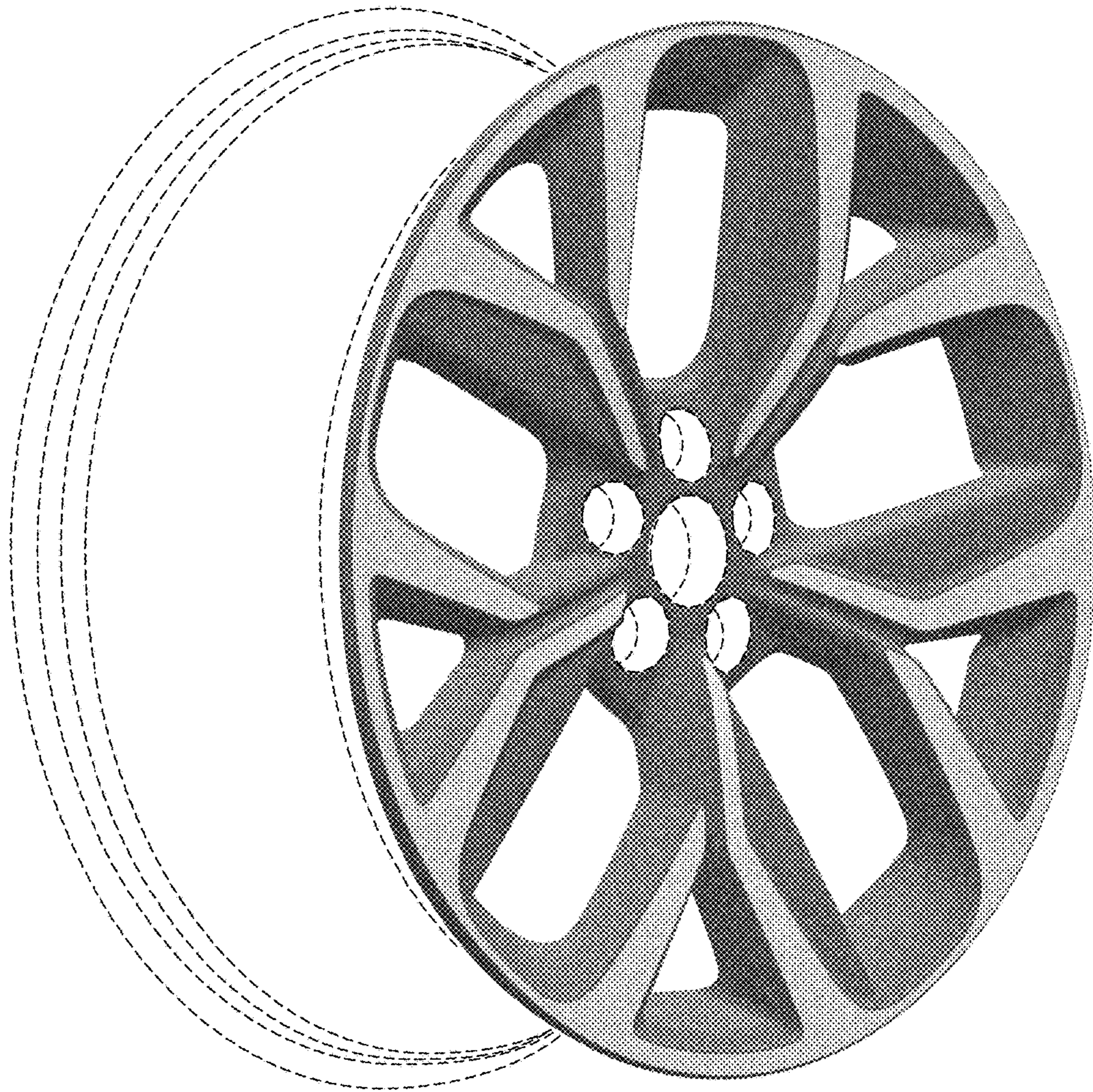


FIG. 4

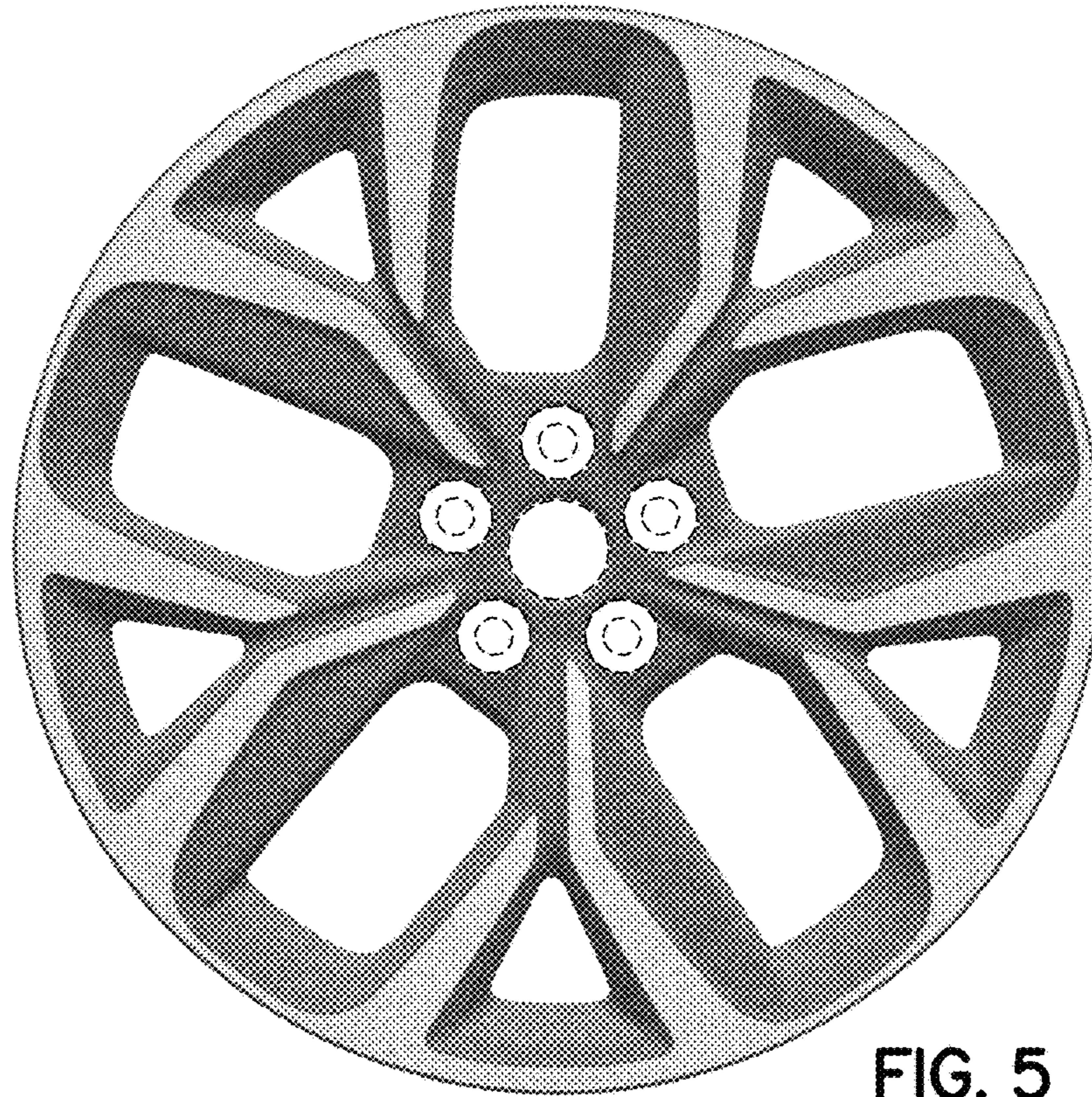


FIG. 5

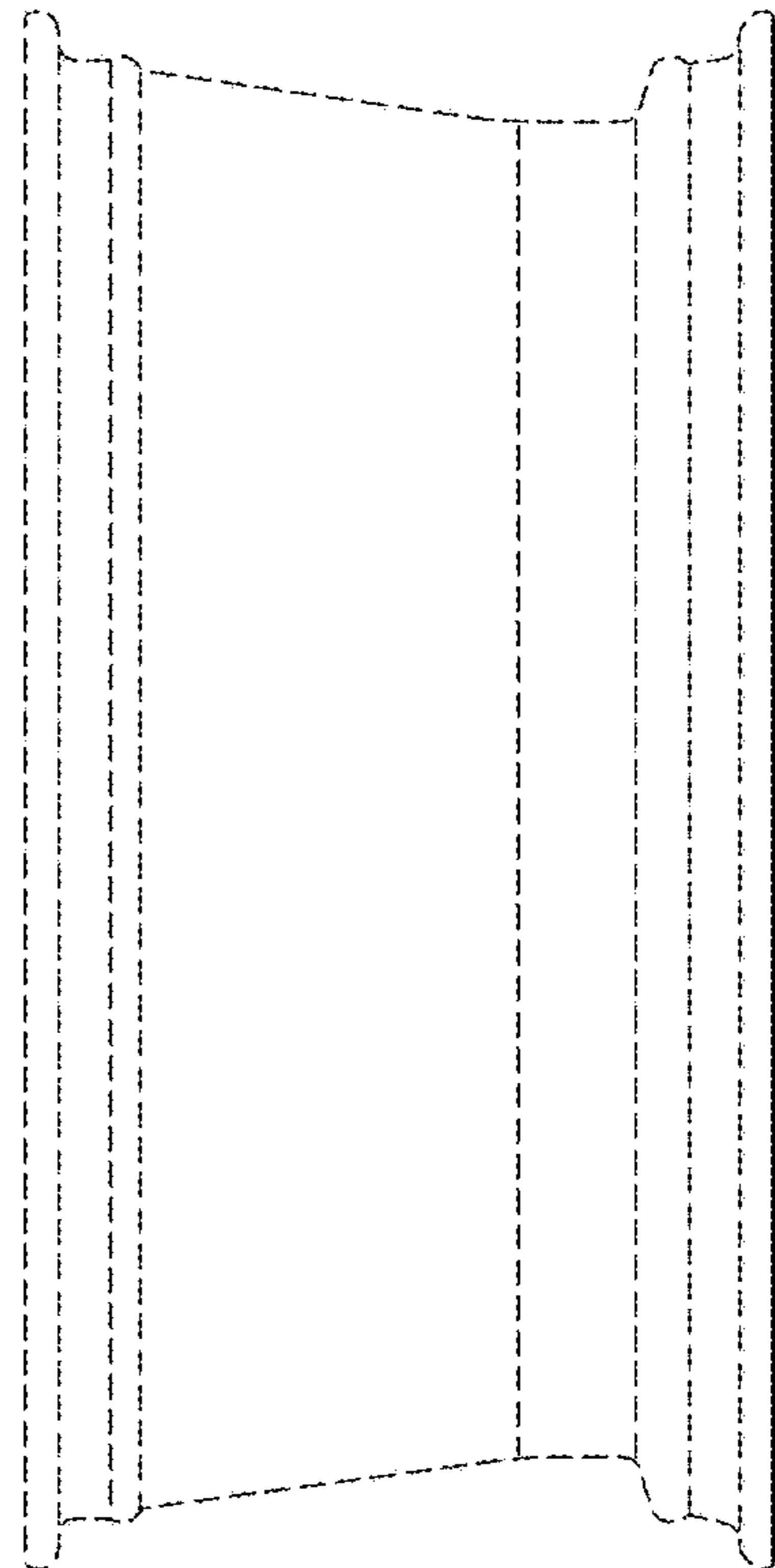


FIG. 6

UNITED STATES PATENT AND TRADEMARK OFFICE
CERTIFICATE OF CORRECTION

PATENT NO. : D848,922 S
APPLICATION NO. : 29/624950
DATED : May 21, 2019
INVENTOR(S) : Simon Tovey

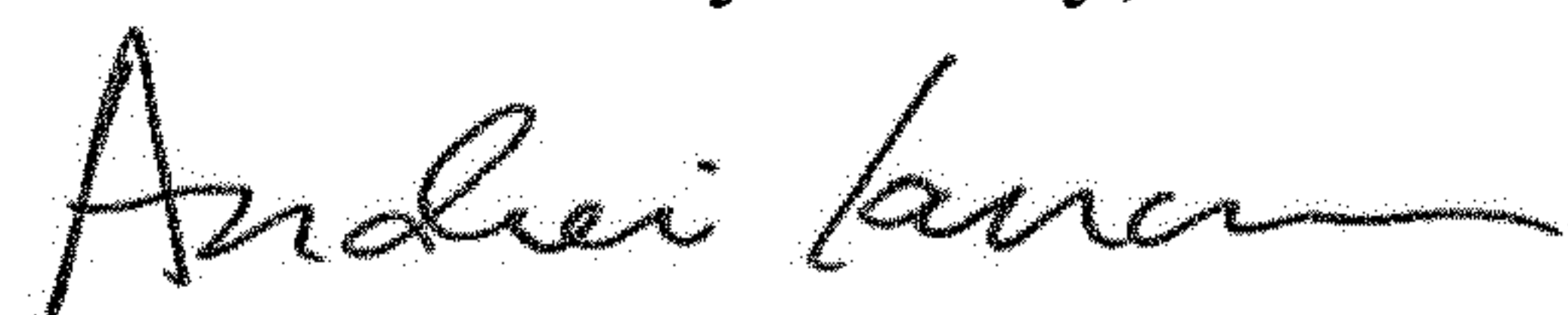
Page 1 of 1

It is certified that error appears in the above-identified patent and that said Letters Patent is hereby corrected as shown below:

On the Title Page

Column 2, under the heading "Description", Line 8, "FIG. 11" should be ---FIG. 4---

Signed and Sealed this
Second Day of July, 2019



Andrei Iancu
Director of the United States Patent and Trademark Office