



US00D848921S

(12) **United States Design Patent**
Lickliter

(10) **Patent No.:** **US D848,921 S**

(45) **Date of Patent:** **** May 21, 2019**

(54) **WHEEL**

(71) Applicant: **Wheel Pros, LLC**, Greenwood Village,
CO (US)

(72) Inventor: **Hans Lickliter**, Canyon Country, CA
(US)

(**) Term: **15 Years**

(21) Appl. No.: **29/582,730**

(22) Filed: **Oct. 30, 2016**

(51) **LOC (11) Cl.** **12-16**

(52) **U.S. Cl.**

USPC **D12/209**

(58) **Field of Classification Search**

USPC D12/204–213

CPC B60B 7/00; B60B 7/02; B60B 7/04; B60B

7/01; B60B 7/06; B60B 3/02; B60B 3/04;

B60B 3/06; B60B 3/10; B60B 1/00;

B60B 1/08; B60B 1/10; B60B 1/12

See application file for complete search history.

(56) **References Cited**

U.S. PATENT DOCUMENTS

D395,270 S	*	6/1998	Baumgartner	D12/211
D406,092 S	*	2/1999	Baumgartner	D12/211
D417,646 S	*	12/1999	Baumgartner	D12/211
D430,526 S	*	9/2000	Fitzgerald	D12/211
D461,441 S	*	8/2002	Hartanto	D12/211
D467,212 S		12/2002	Noriega		
D482,996 S		12/2003	Sulahian		
D496,317 S		9/2004	Kataoka		
D541,202 S	*	4/2007	Baumgartner	D12/211

D606,921 S	*	12/2009	Thorsten	D12/211
D606,922 S	*	12/2009	Thorsten	D12/211
D622,196 S	*	8/2010	Gallert	D12/209
D622,199 S	*	8/2010	Gallert	D12/211
D718,203 S	*	11/2014	Whyte	D12/209
D735,630 S	*	8/2015	Swaneger	D12/209
D756,282 S	*	5/2016	Zhao	D12/209
D757,627 S	*	5/2016	Chung	D12/211
D760,142 S	*	6/2016	Chu	D12/211
D778,223 S	*	2/2017	Chu	D12/211
D780,658 S	*	3/2017	Welte	D12/211
D787,408 S	*	5/2017	Alfonso	D12/211
D795,775 S	*	8/2017	Simpson	D12/211
D811,978 S	*	3/2018	Hodges	D12/211
D816,646 S	*	5/2018	Pei	D14/239
D825,423 S	*	8/2018	Henderson	D12/209
D826,128 S	*	8/2018	Groth	D12/209
D826,819 S	*	8/2018	Chung	D12/209
D828,799 S	*	9/2018	Zschocke	D12/209
D829,629 S	*	10/2018	Chung	D12/209
D829,630 S	*	10/2018	Chung	D12/209
D830,935 S	*	10/2018	Zhao	D12/209

* cited by examiner

Primary Examiner — Stacia A Cadmus

(74) *Attorney, Agent, or Firm* — Eric Hanscom

(57) **CLAIM**

The ornamental design for a wheel, as shown and described.

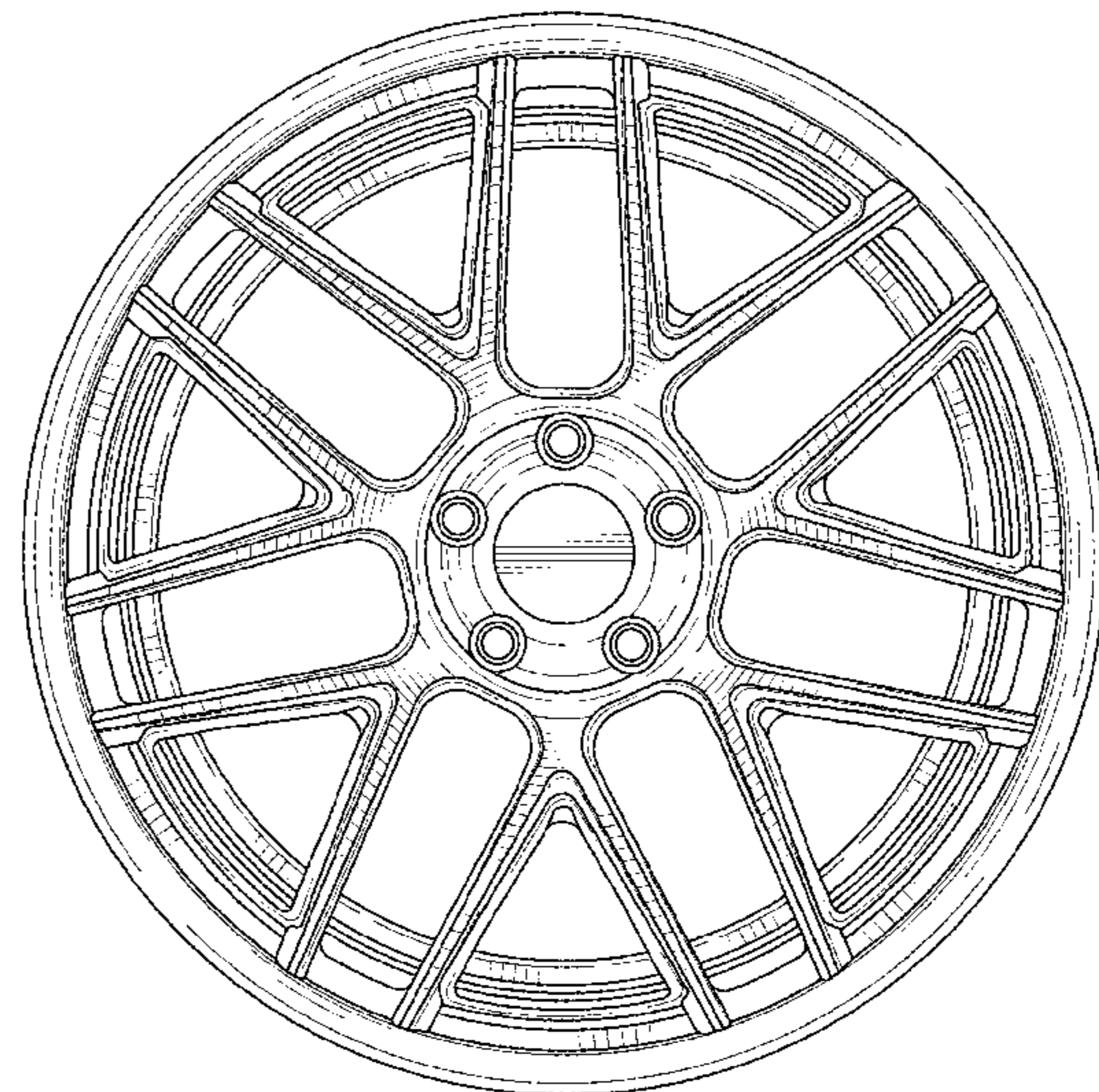
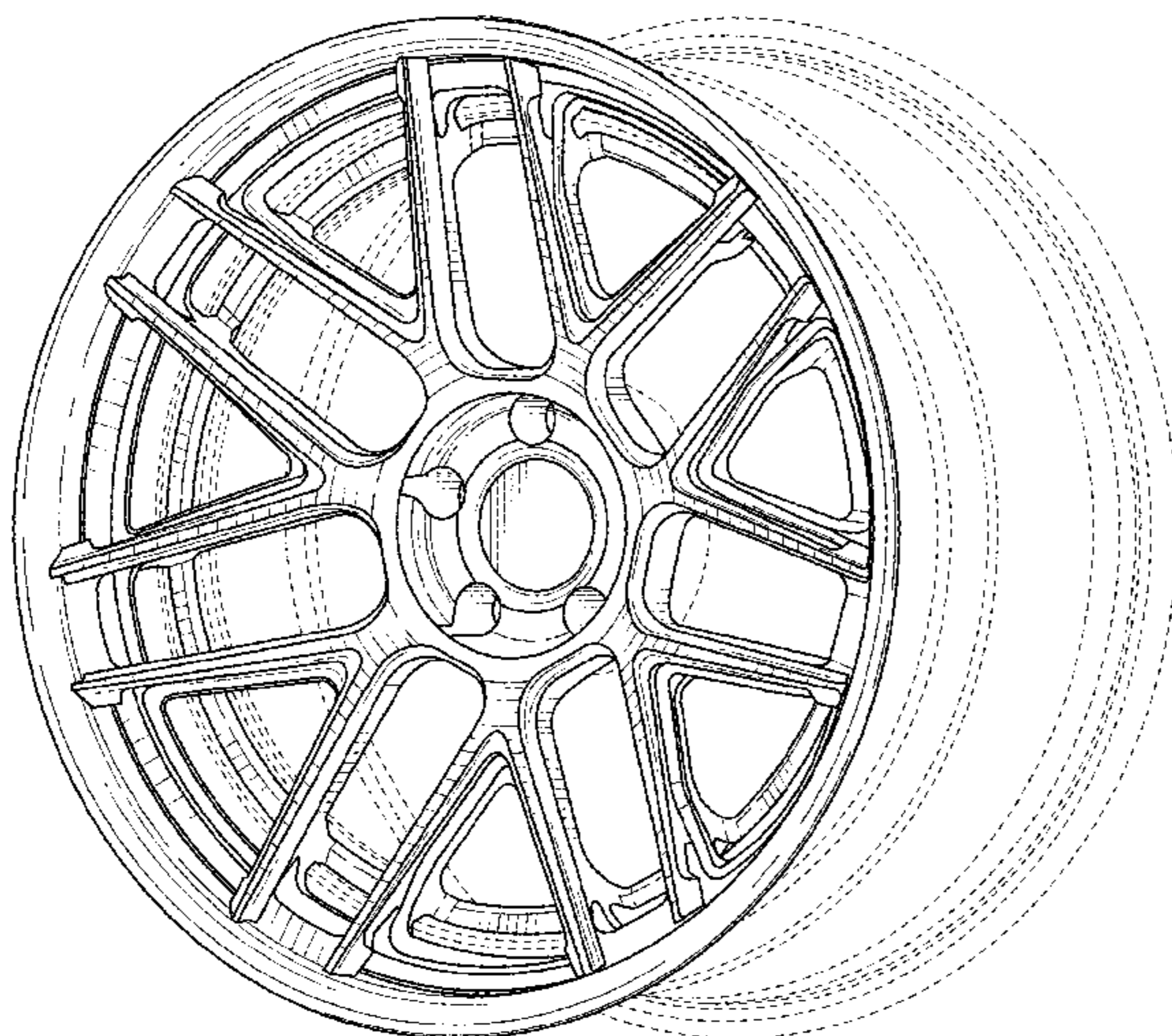
DESCRIPTION

FIG. 1 is a perspective view of a wheel showing my new design; and,

FIG. 2 is a front view thereof.

Portions shown in dashed lines are for illustrative purposes only and form no part of the claimed design.

1 Claim, 2 Drawing Sheets



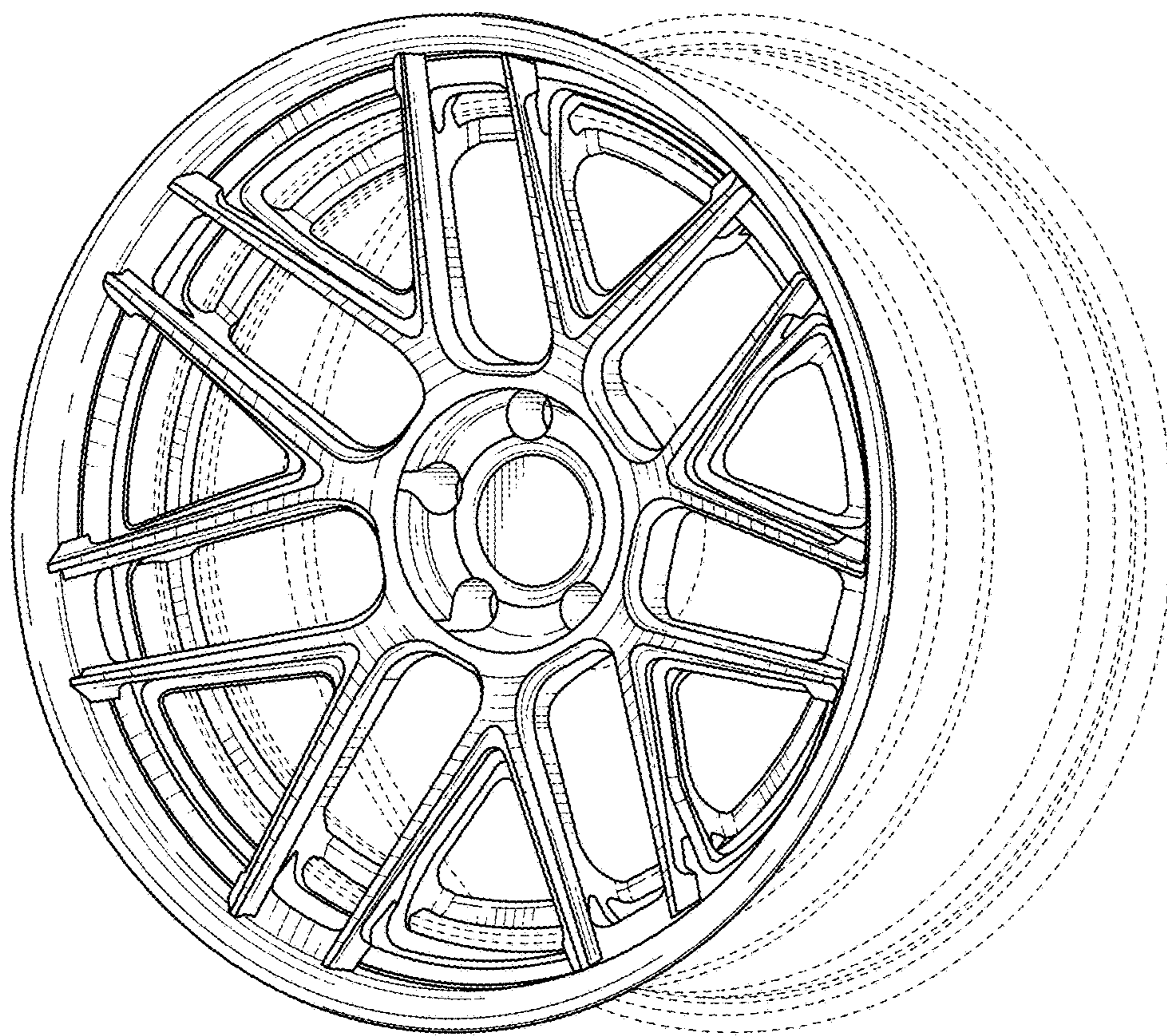


FIG. 1

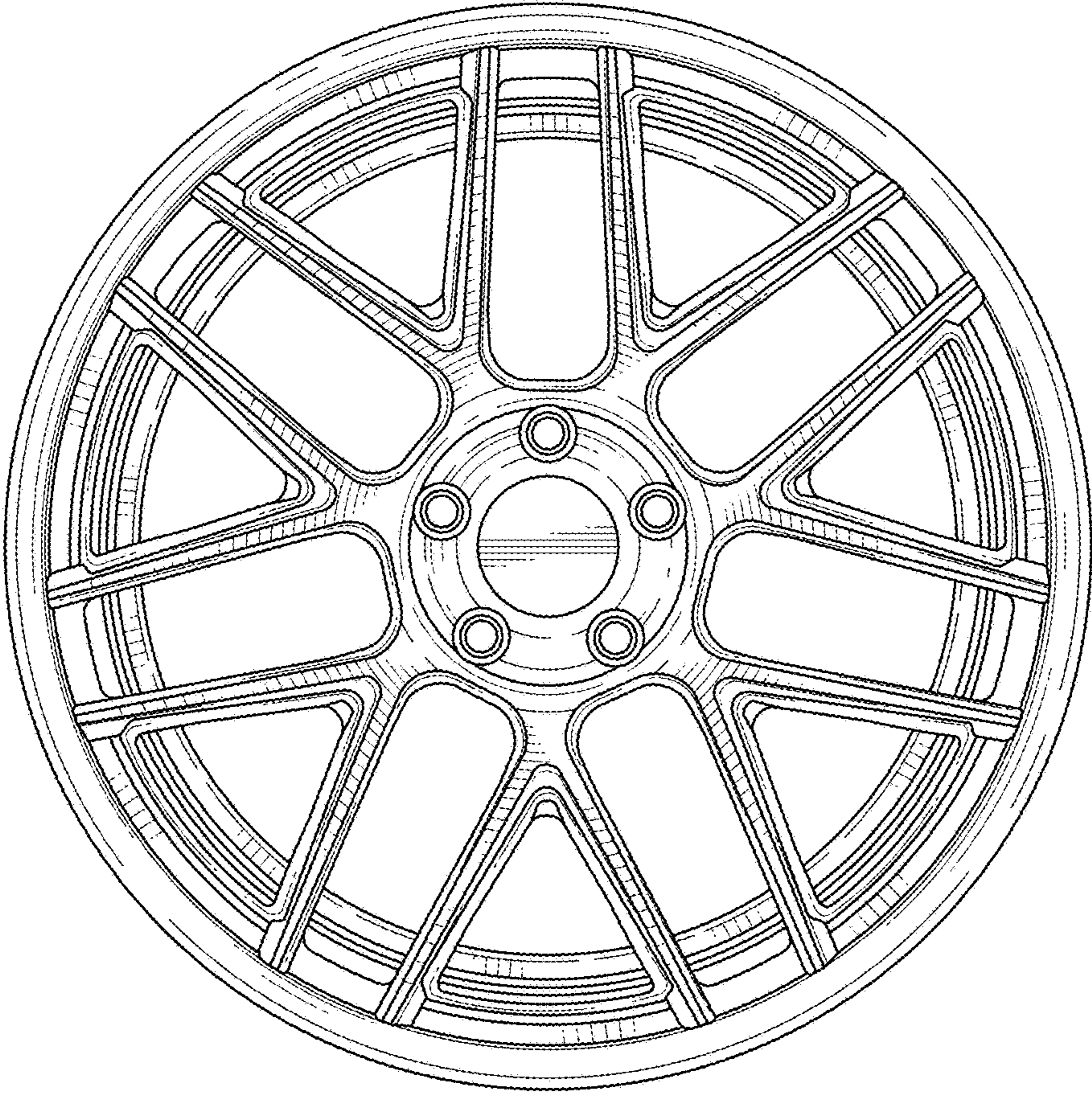


FIG. 2