



US00D848920S

(12) **United States Design Patent** (10) **Patent No.:** **US D848,920 S**
Champney (45) **Date of Patent:** **** May 21, 2019**

(54) **CAR CONSOLE LINER**

(71) Applicant: **Kyle Champney**, W Chesterfield, NH (US)

(72) Inventor: **Kyle Champney**, W Chesterfield, NH (US)

(**) Term: **15 Years**

(21) Appl. No.: **29/672,406**

(22) Filed: **Dec. 5, 2018**

(51) **LOC (11) Cl.** **12-16**

(52) **U.S. Cl.**
USPC **D12/203**

(58) **Field of Classification Search**
USPC D12/203, 415, 400, 419, 420, 421, 221, D12/190, 191, 195; D6/582-586, D6/592-594
CPC B60R 13/01; B60N 3/044; B60N 3/04
See application file for complete search history.

(56) **References Cited**

U.S. PATENT DOCUMENTS

D55,605 S *	7/1920	Green	D12/203
D199,993 S *	1/1965	Cohen	108/25
D212,403 S *	10/1968	Di Vona	206/387.15
D271,542 S *	11/1983	Rockwell	D12/419
D271,634 S *	12/1983	Rockwell	D12/419
D298,817 S	12/1988	Hamilton	
D362,837 S *	10/1995	Mankey	D12/419
D364,597 S *	11/1995	Branch	D12/203
D403,912 S *	1/1999	Wang	D6/582
D432,076 S *	10/2000	Stickles	D12/419
D464,304 S *	10/2002	Wright	D12/203
D504,857 S *	5/2005	Yang	D12/203
D509,781 S *	9/2005	Hussaini	D12/203
D519,898 S *	5/2006	Hussaini	D12/203
D534,471 S *	1/2007	Landestoy	D12/203
D539,717 S *	4/2007	Hussaini	D12/203
D562,751 S	2/2008	Lu	

D568,232 S *	5/2008	Motozaki	D12/421
D673,490 S	1/2013	Koblenzer	
D697,465 S *	1/2014	Lu	D12/203
D701,155 S *	3/2014	Lu	D12/203
D703,598 S *	4/2014	Wang	D12/203
D707,981 S *	7/2014	Allen	D6/585
D721,025 S *	1/2015	Lu	D12/203
D738,808 S *	9/2015	Major	D12/400
D764,386 S	8/2016	Ahn et al.	
D775,043 S *	12/2016	Lu	D12/203

(Continued)

Primary Examiner — Michelle E. Wilson

Assistant Examiner — Clese Moore, Jr.

(74) *Attorney, Agent, or Firm* — James M. Smedley LLC; James Michael Smedley, Esq.

(57) **CLAIM**

I claim the ornamental design for a car console liner, as shown and described.

DESCRIPTION

FIG. 1 is a perspective view showing my new design for a car console liner.

FIG. 2 is a top view thereof.

FIG. 3 is a bottom view thereof.

FIG. 4 is a right side view thereof.

FIG. 5 is a left side view thereof.

FIG. 6 is a front view thereof, the rear view being a mirror image.

FIG. 7 is a second perspective view thereof, shown in environmental use.

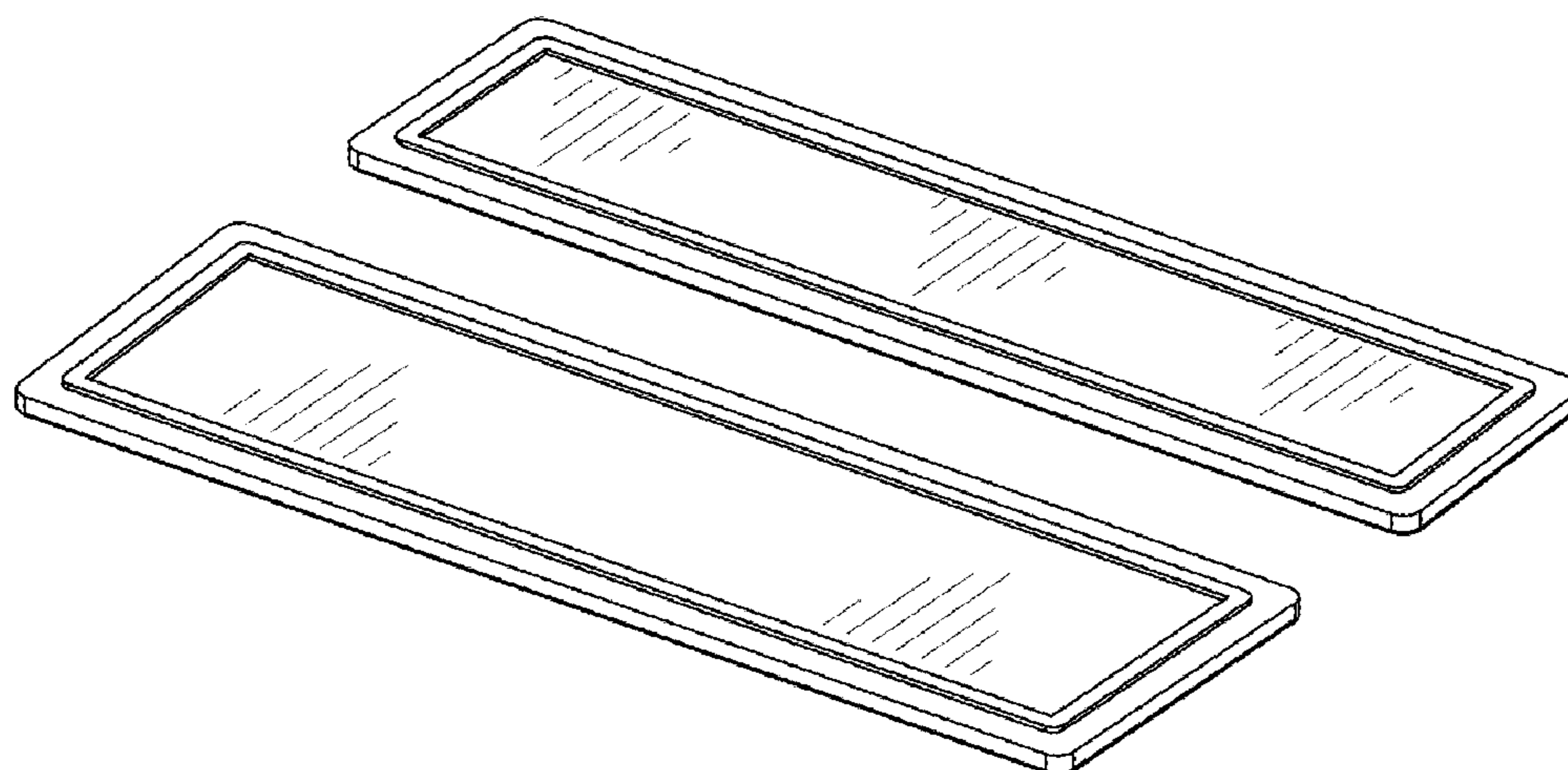
FIG. 8 is a third perspective view thereof, shown in environmental use.

FIG. 9 is a top view thereof, shown in environmental use; and,

FIG. 10 is a bottom view thereof, shown in environmental use.

The broken lines represent unclaimed subject matter and form no part of the claimed design.

1 Claim, 3 Drawing Sheets



(56)

References Cited

U.S. PATENT DOCUMENTS

D783,485 S * 4/2017 Lu D12/203
D798,632 S * 10/2017 Wilczek D6/582
D811,773 S * 3/2018 Yang D6/582

* cited by examiner

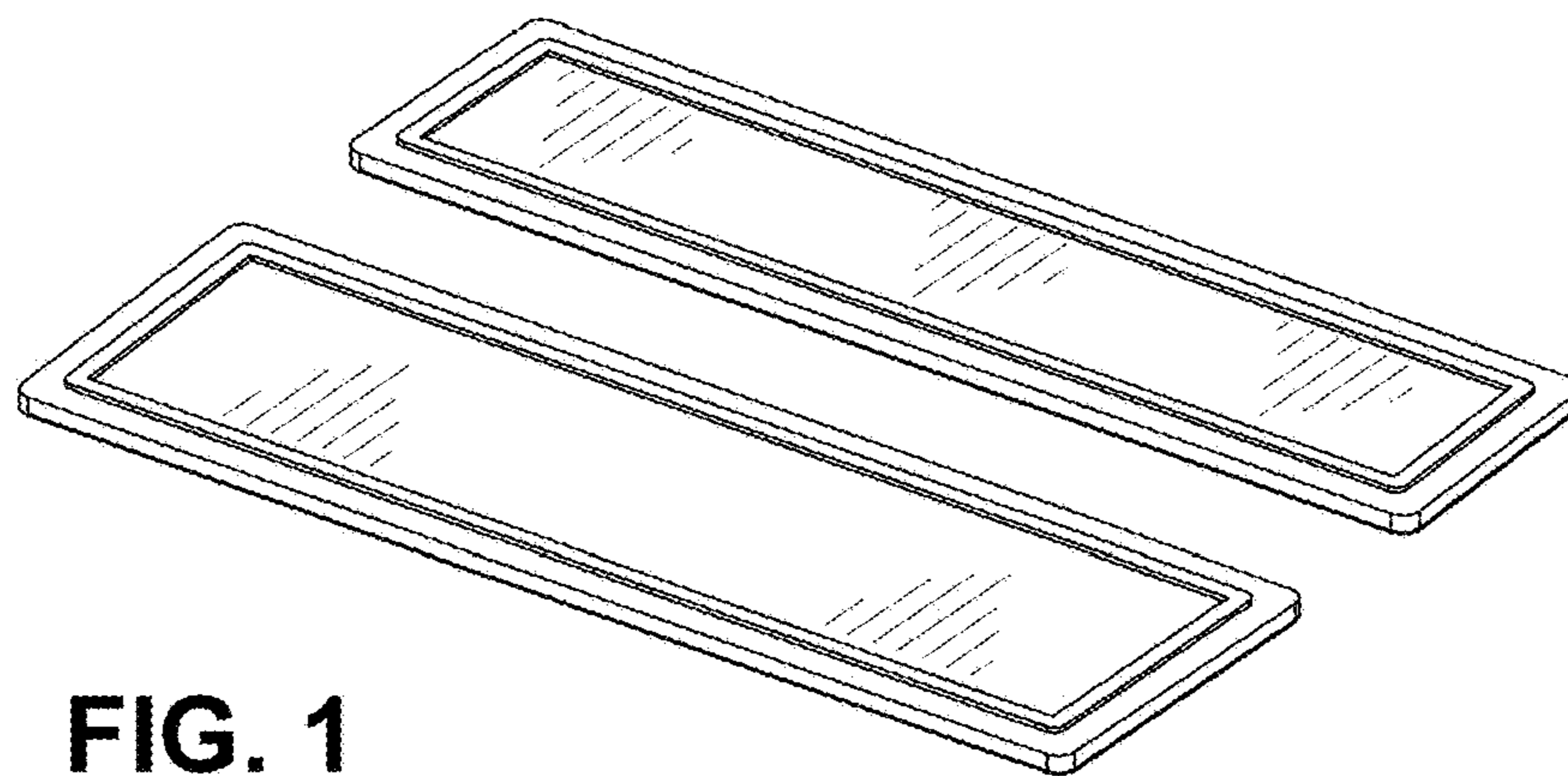


FIG. 1

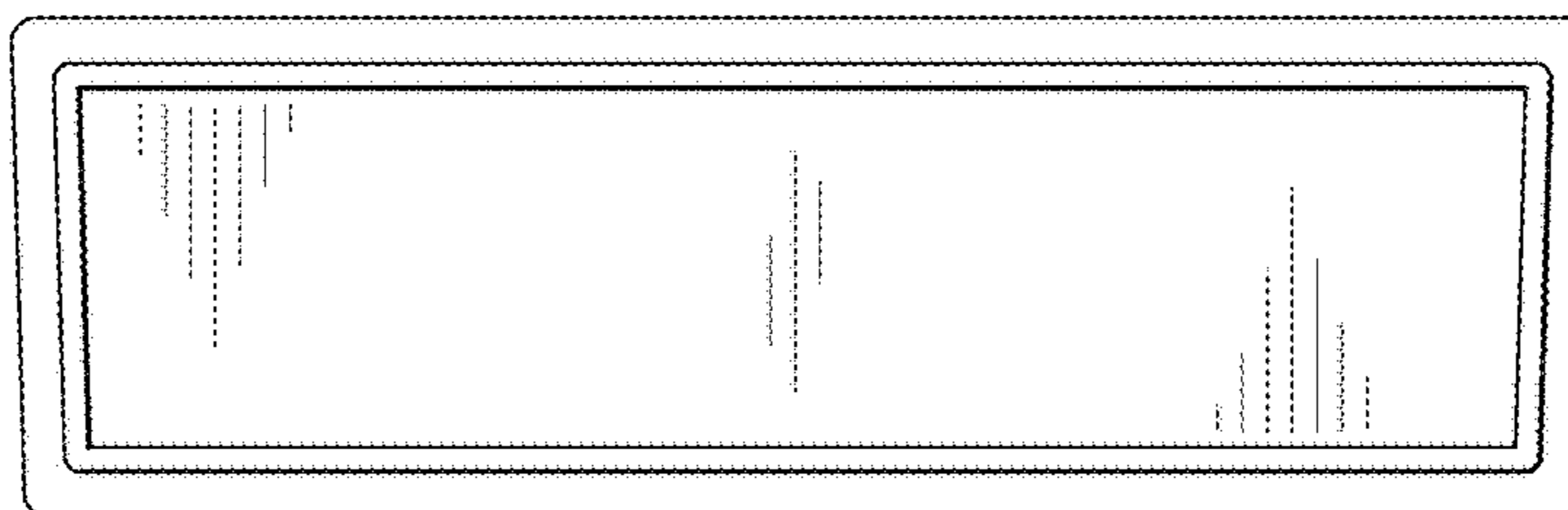
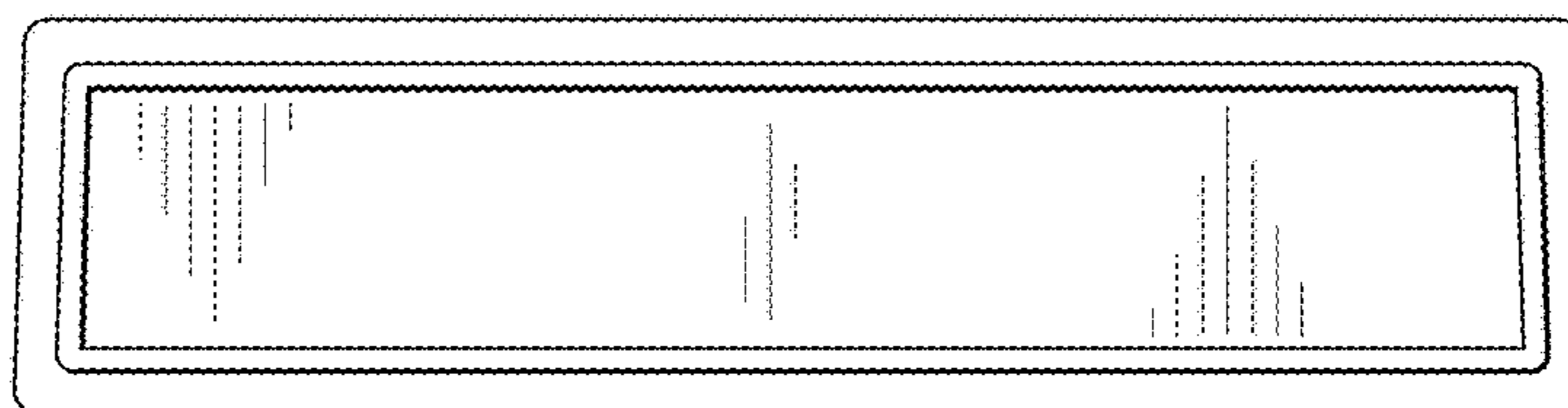


FIG. 2

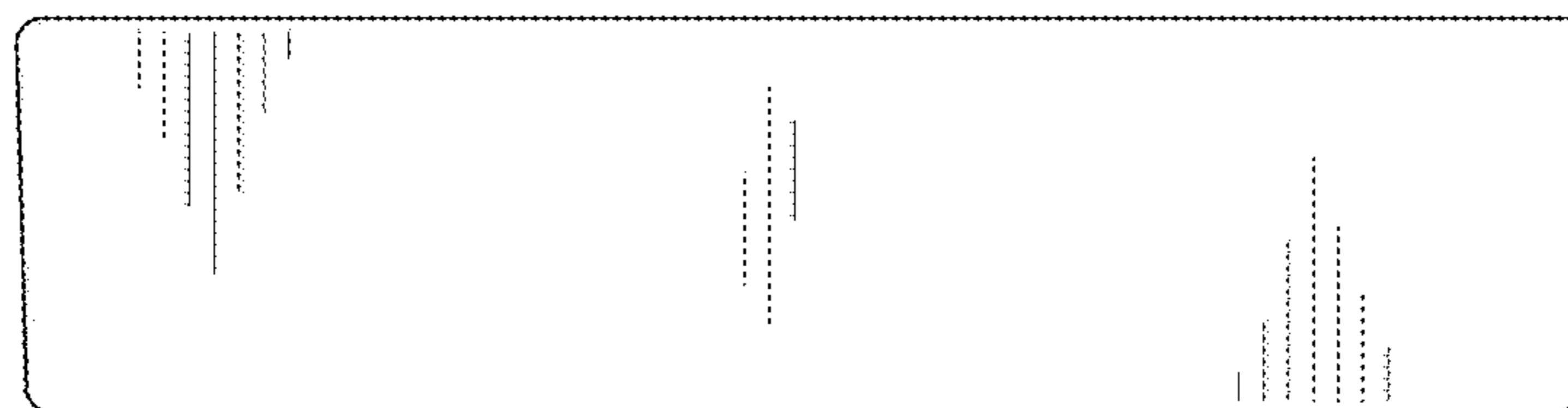
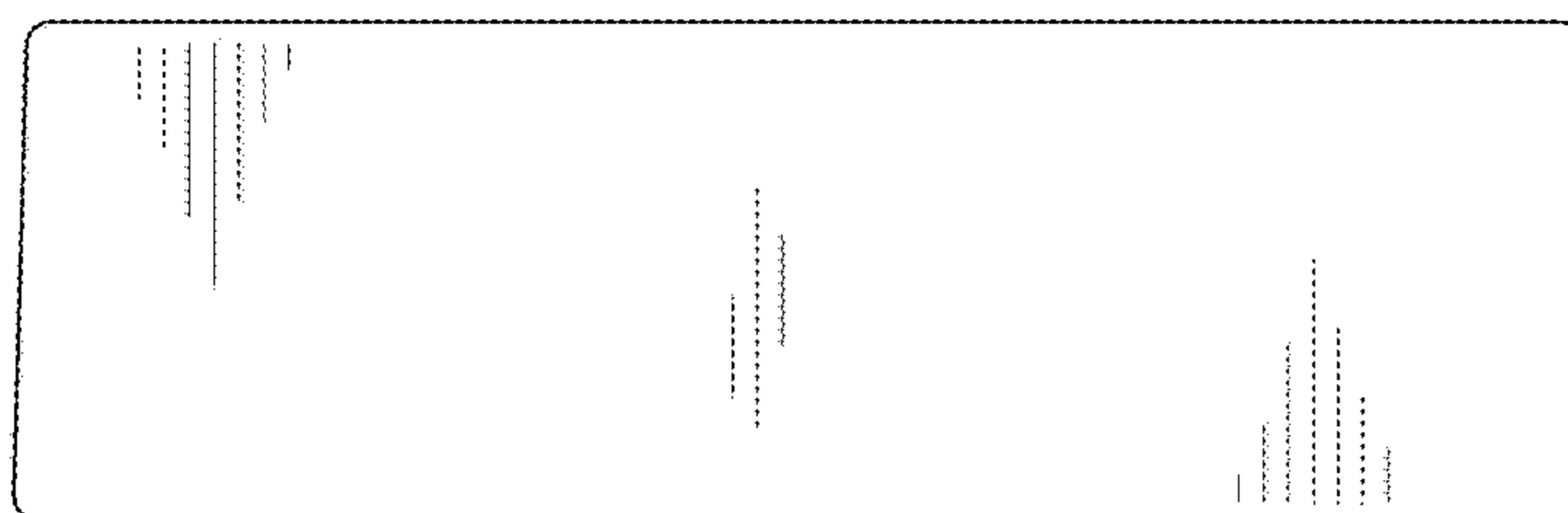


FIG. 3

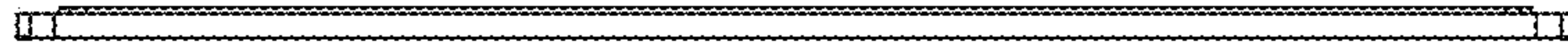


FIG. 4

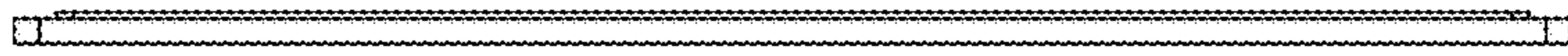


FIG. 5



FIG. 6

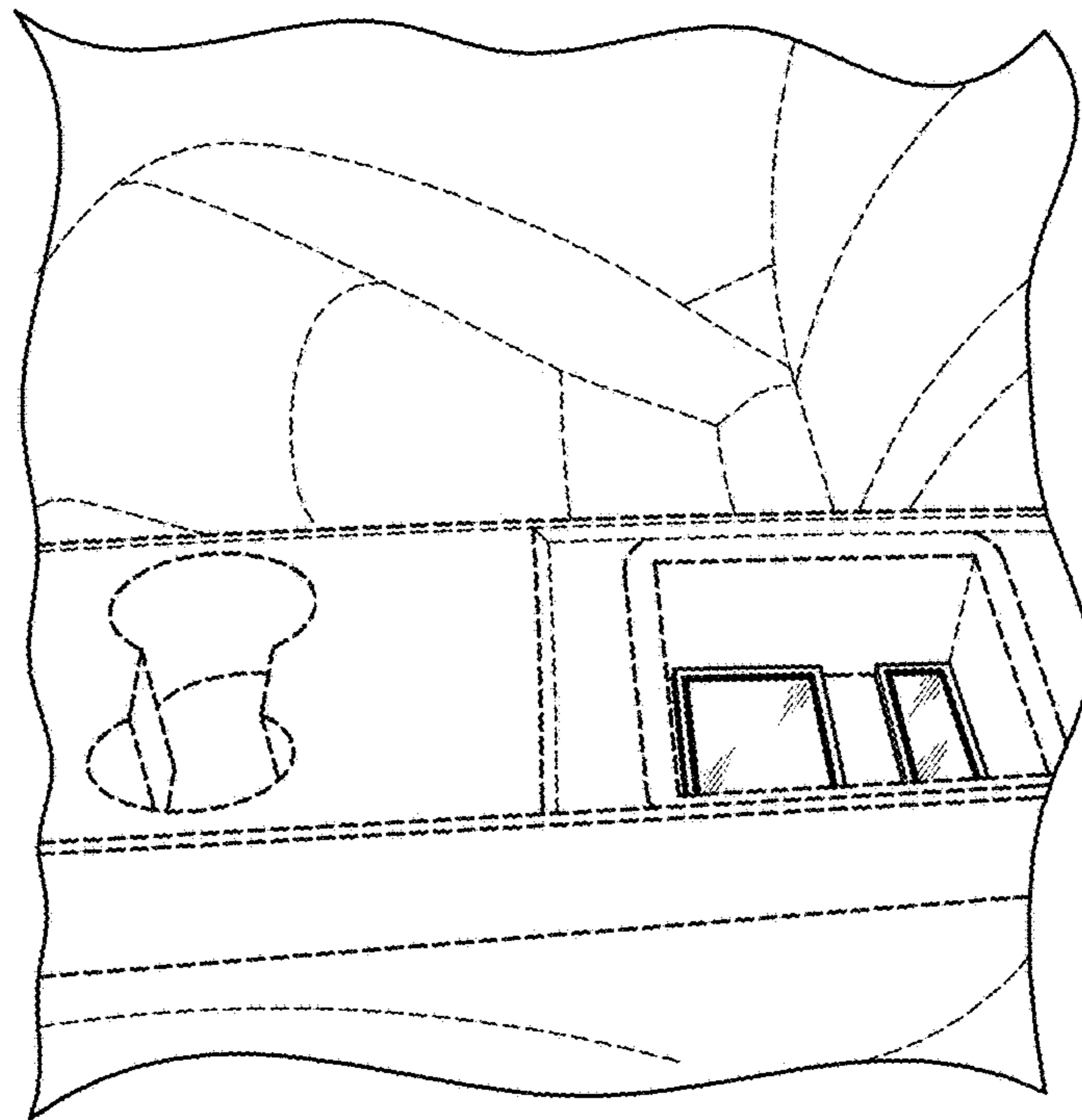


FIG. 7

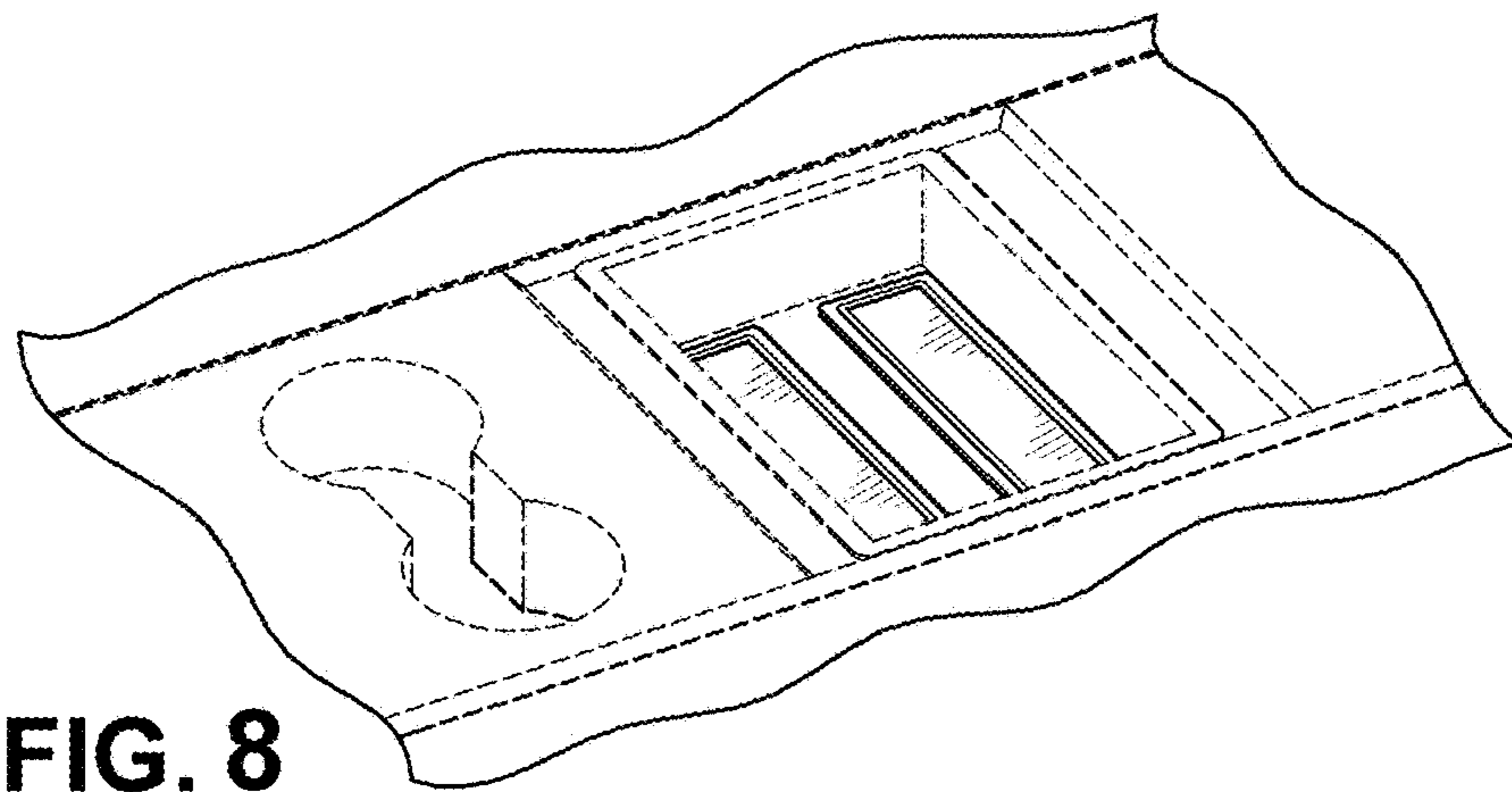


FIG. 8

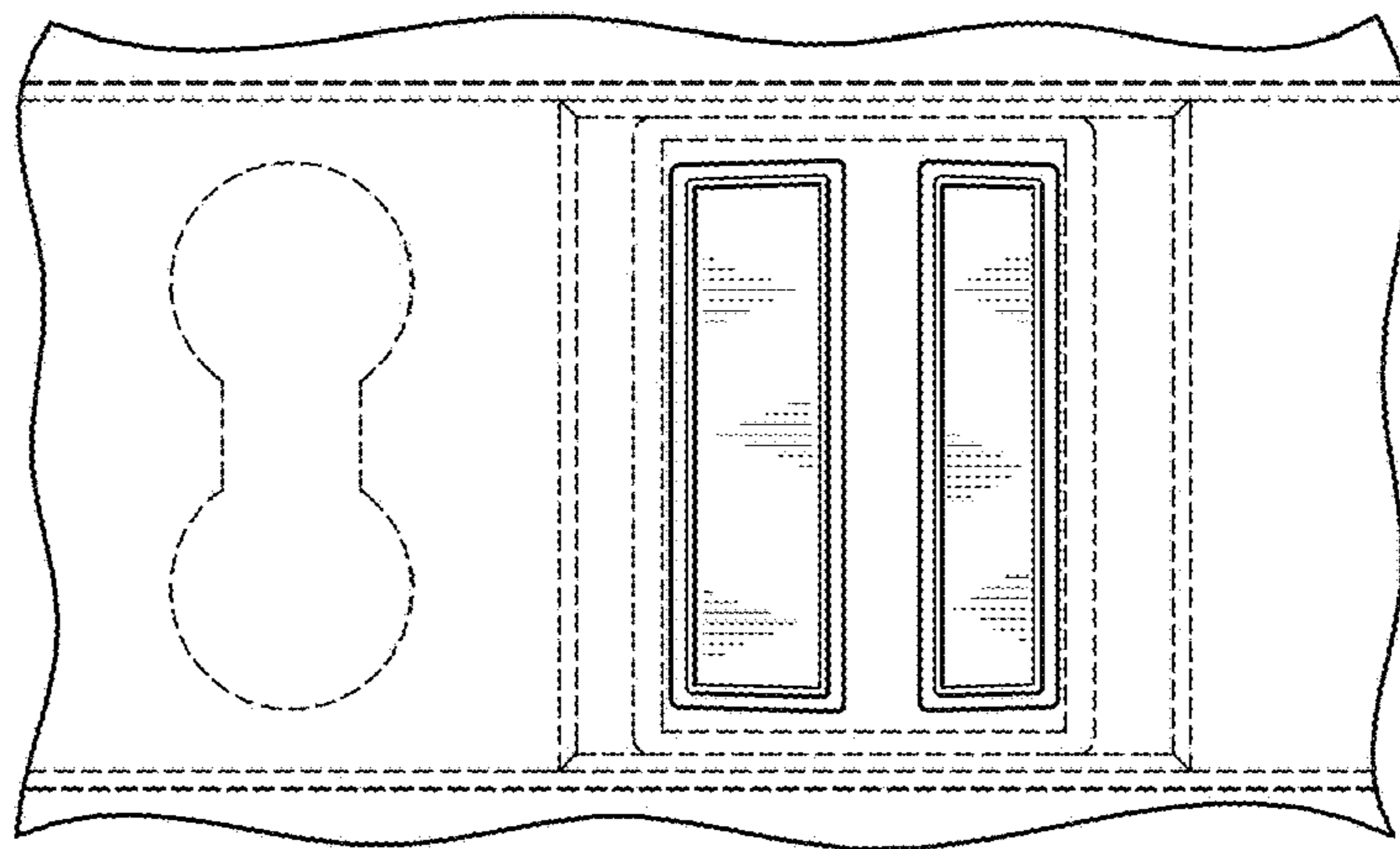


FIG. 9

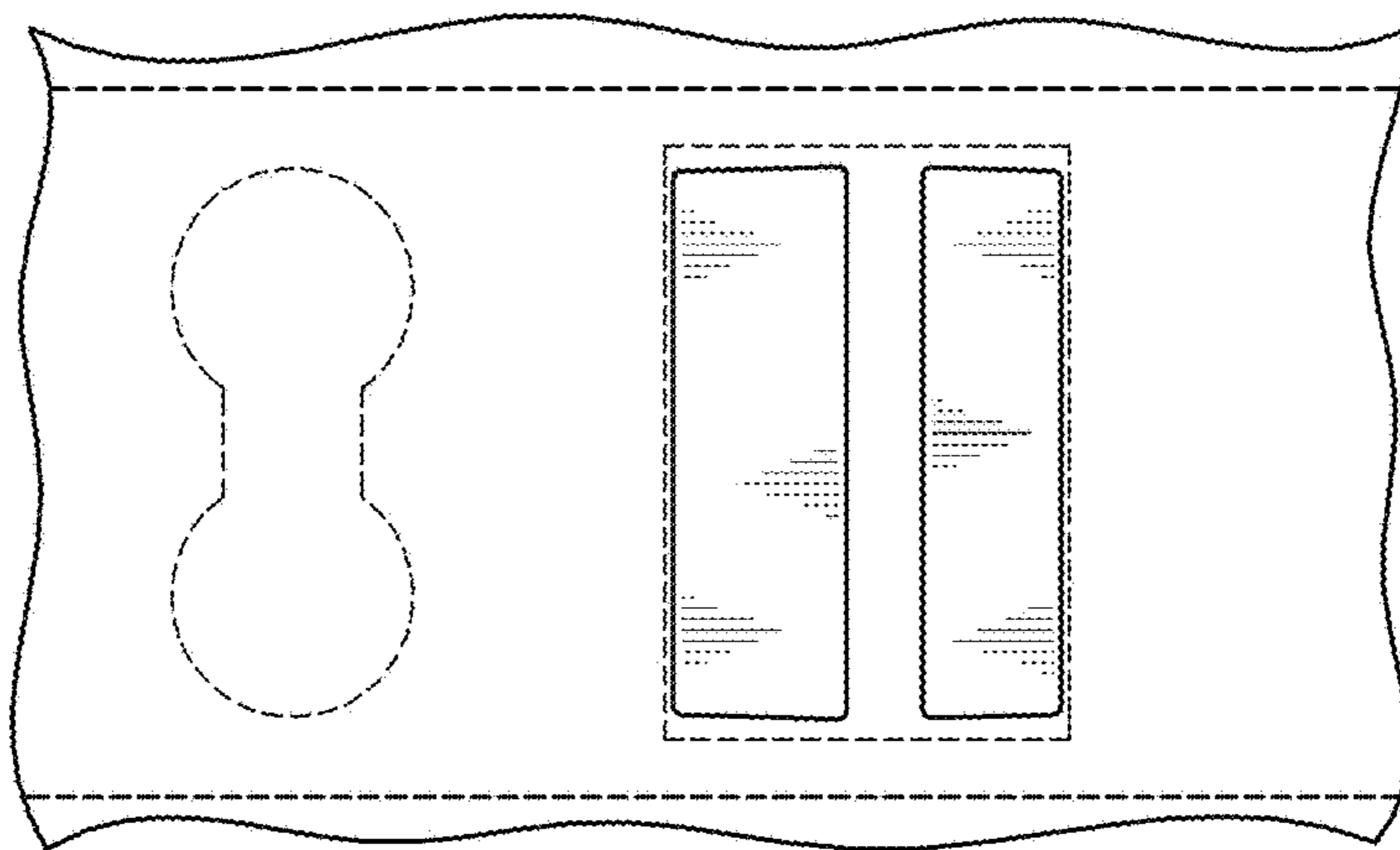


FIG. 10