



US00D848914S

(12) **United States Design Patent** (10) **Patent No.:** **US D848,914 S**  
**Haga** (45) **Date of Patent:** **\*\* May 21, 2019**

(54) **WEIGHT FOR TRUCK MUD FLAPS**  
(71) Applicant: **Corey Haga**, Roseburg, OR (US)  
(72) Inventor: **Corey Haga**, Roseburg, OR (US)  
(\*\*) Term: **15 Years**  
(21) Appl. No.: **29/619,020**  
(22) Filed: **Sep. 26, 2017**  
(51) **LOC (11) Cl.** ..... **12-16**  
(52) **U.S. Cl.**  
USPC ..... **D12/185**  
(58) **Field of Classification Search**  
USPC ..... D12/90-92, 93, 96, 181, 184, 185, 196,  
D12/202  
CPC ..... B62D 25/18; B62D 25/188  
See application file for complete search history.

D316,536 S \* 4/1991 Charet ..... D12/185  
D330,692 S \* 11/1992 Hammond, Jr. .... D12/185  
D344,707 S \* 3/1994 Brooks ..... D12/185  
D438,495 S \* 3/2001 Bobo ..... D12/185  
D441,702 S \* 5/2001 Baker ..... D12/185  
D685,306 S \* 7/2013 Eklund ..... 280/847  
9,004,538 B2 \* 4/2015 Eklund ..... B62D 25/188  
280/762

\* cited by examiner

*Primary Examiner* — Darlington Ly  
(74) *Attorney, Agent, or Firm* — Mohr Intellectual  
Property Law Solutions, P.C.

(57) **CLAIM**

I claim the ornamental design for a weight for truck mud flaps, as shown and described.

**DESCRIPTION**

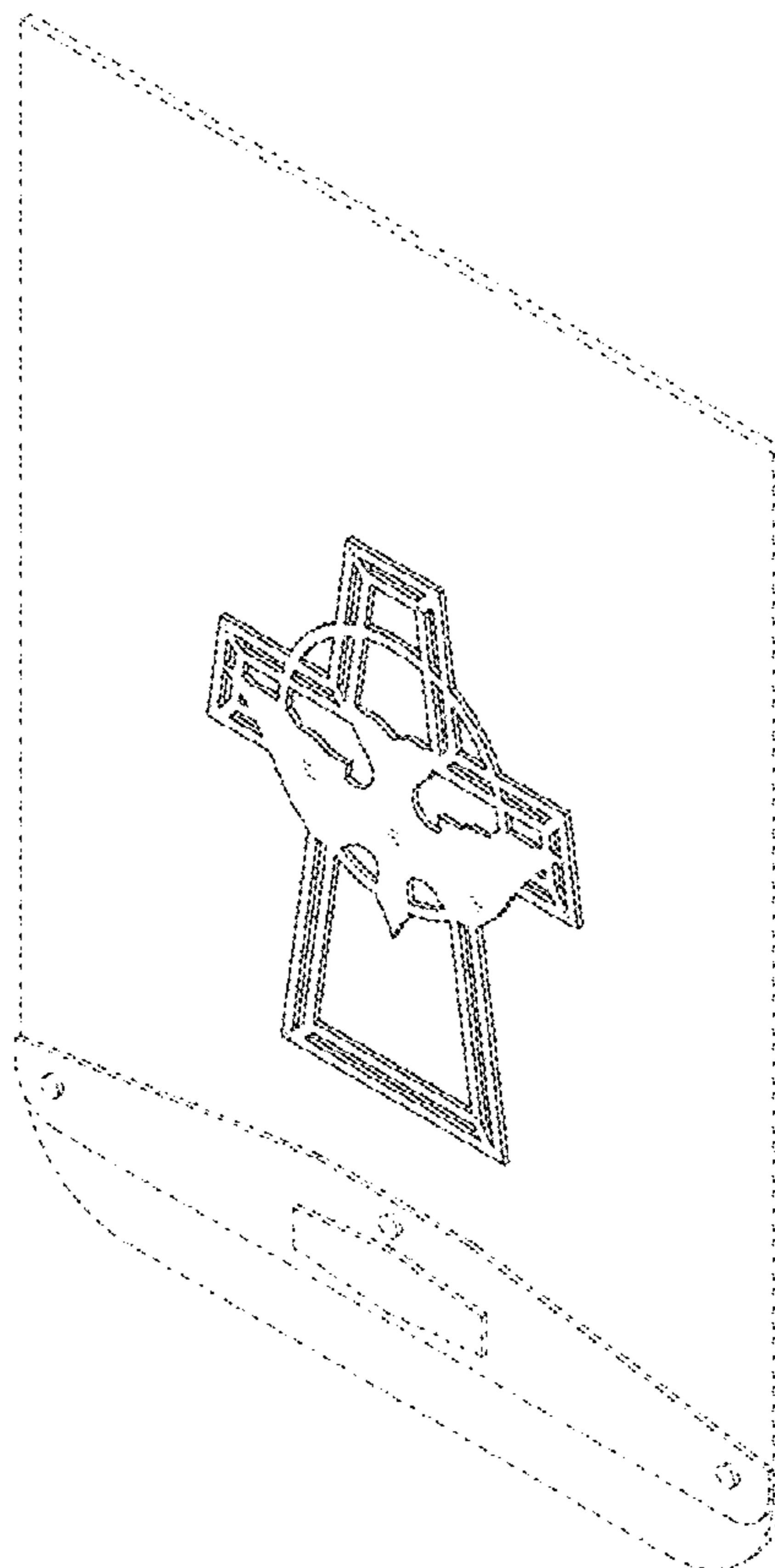
FIG. 1 is a front and left side perspective view of a weight for truck mud flaps showing my new design;  
FIG. 2 is a front and right side perspective view thereof;  
FIG. 3 is a front elevation view thereof;  
FIG. 4 is a left side elevation view thereof; and,  
FIG. 5 is a top plan view thereof.  
The broken lines in the drawings illustrate portions of the weight for truck mud flaps and an environmental truck that do not form part of the claimed design.

(56) **References Cited**

U.S. PATENT DOCUMENTS

D101,609 S \* 10/1936 Bahr ..... D12/185  
D282,158 S \* 1/1986 Wright ..... D12/185  
D284,461 S \* 7/1986 Stahel ..... D12/185  
D290,593 S \* 6/1987 Stahel ..... D12/185  
D308,354 S \* 6/1990 Thomas, Jr. .... D12/185  
D315,133 S \* 3/1991 Charet ..... D12/185

**1 Claim, 3 Drawing Sheets**



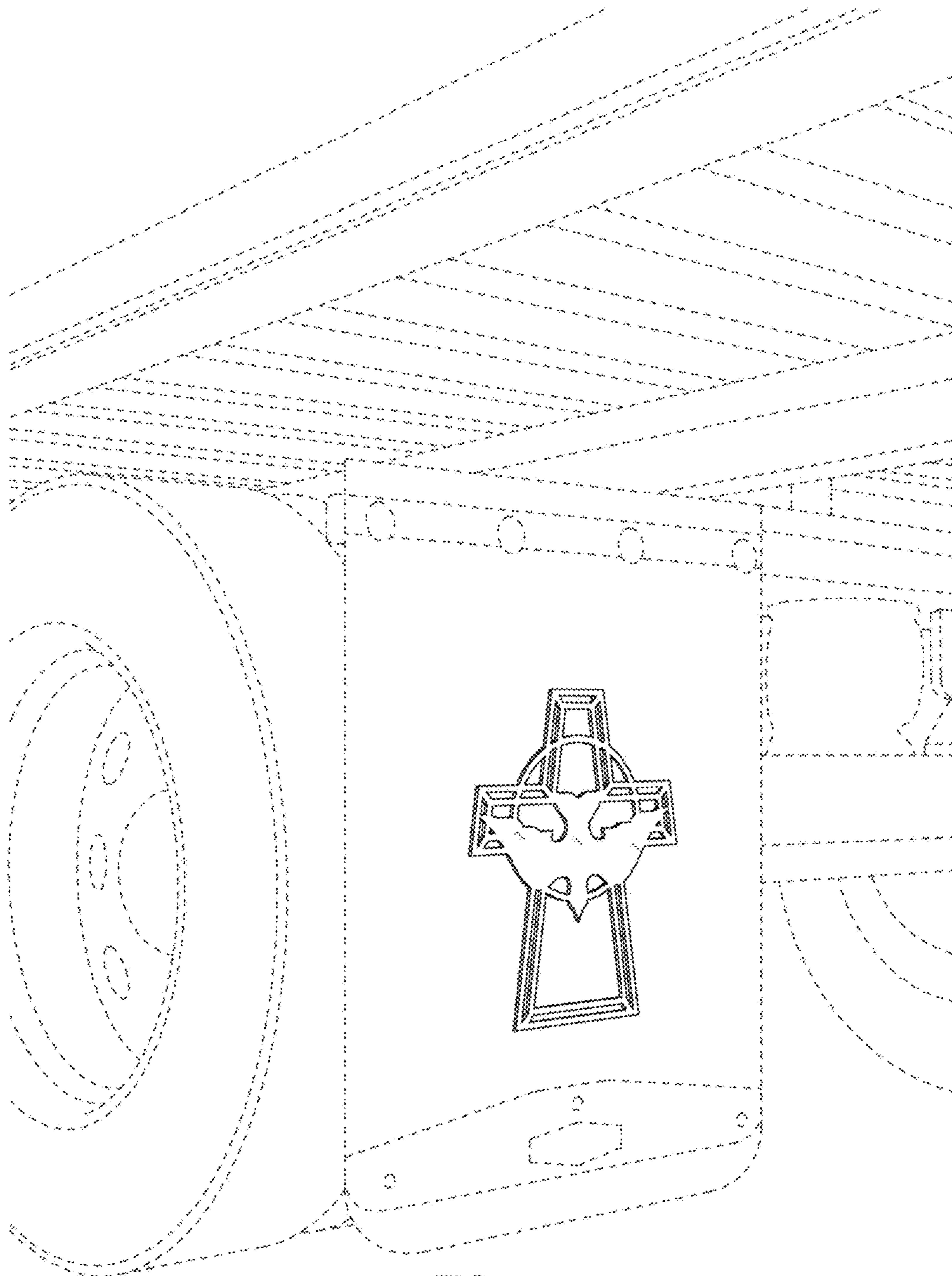


FIG. 1

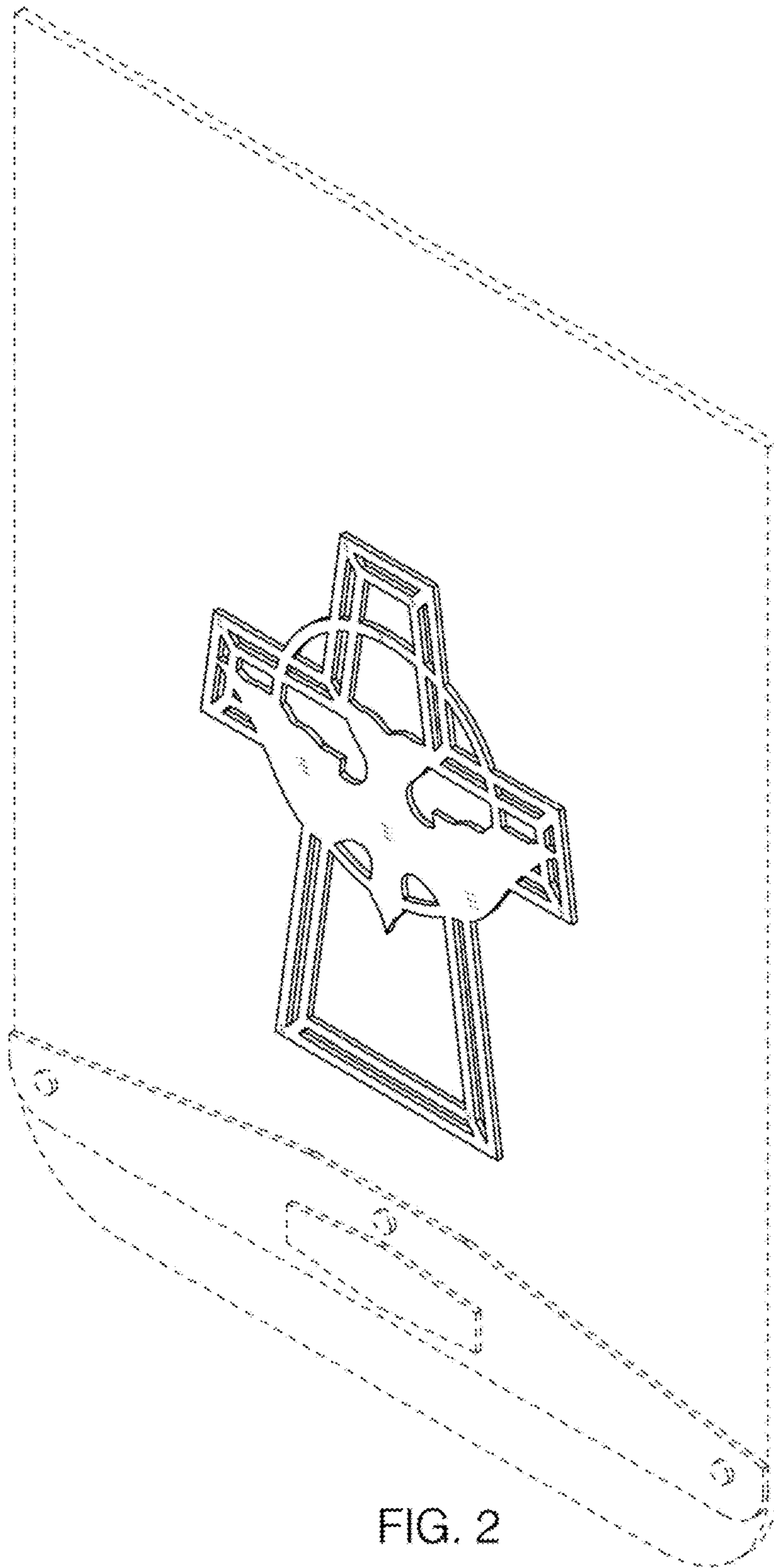


FIG. 2

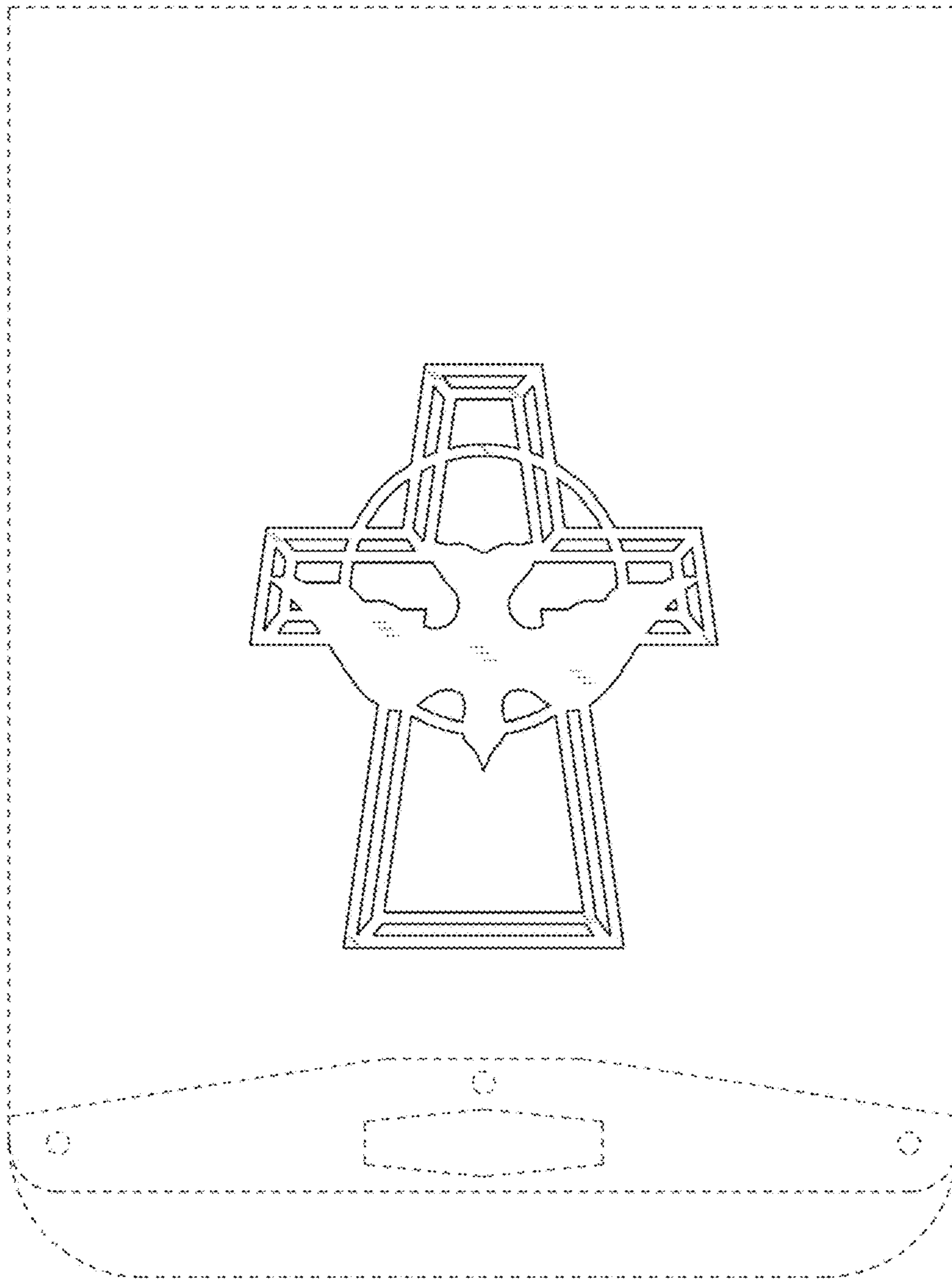


FIG. 3

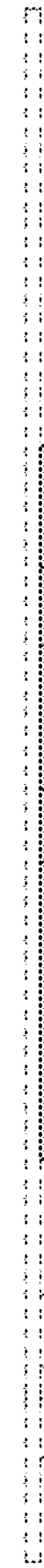


FIG. 4

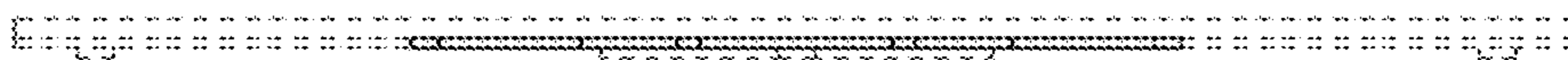


FIG. 5