



US00D848913S

(12) **United States Design Patent**
Sjogren

(10) **Patent No.:** **US D848,913 S**

(45) **Date of Patent:** **** May 21, 2019**

- (54) **STEERING WHEEL UNIT**
- (71) Applicant: **Ningbo Geely Automobile Research & Development Co., Ltd, Ningbo (CN)**
- (72) Inventor: **Mats Sjogren, Gothenburg (SE)**
- (73) Assignee: **Ningbo Geely Automobile Research & Development Co., Ltd., Ningbo (CN)**
- (**) Term: **15 Years**
- (21) Appl. No.: **29/618,408**
- (22) Filed: **Sep. 21, 2017**

D758,933 S *	6/2016	Owaku	D12/176
D760,134 S *	6/2016	Montousse	D12/176
D772,124 S *	11/2016	Lee	D12/176
D797,021 S *	9/2017	Chergosky	D12/176
D798,206 S *	9/2017	Sjogren	D12/176

* cited by examiner

Primary Examiner — Melody N Brown

(74) *Attorney, Agent, or Firm* — Lee & Hayes, P.C.

(30) **Foreign Application Priority Data**

Mar. 22, 2017 (EM) 003816255

(51) **LOC (11) Cl.** **12-16**

(52) **U.S. Cl.**
USPC **D12/176**

(58) **Field of Classification Search**
USPC D12/175, 176; 74/552, 558, 558.5
CPC B60R 21/203; B60R 21/05; B62D 1/04
See application file for complete search history.

(56) **References Cited**

U.S. PATENT DOCUMENTS

D649,095 S *	11/2011	Frank	D12/176
D671,464 S *	11/2012	Baccus	D12/176
D703,594 S *	4/2014	Kim	D12/176
D704,108 S *	5/2014	Frank	D12/176
D709,006 S *	7/2014	Busse	D12/176
D716,203 S *	10/2014	Nakai	D12/176
D727,226 S *	4/2015	Mayerle	D12/176
D733,627 S *	7/2015	Ishimaru	D12/176
D741,759 S *	10/2015	Persson	D12/176
D743,860 S *	11/2015	Nagumo	D12/176
D758,932 S *	6/2016	Schowalter	D12/176

(57) **CLAIM**

The ornamental design for a steering wheel unit, as shown and described.

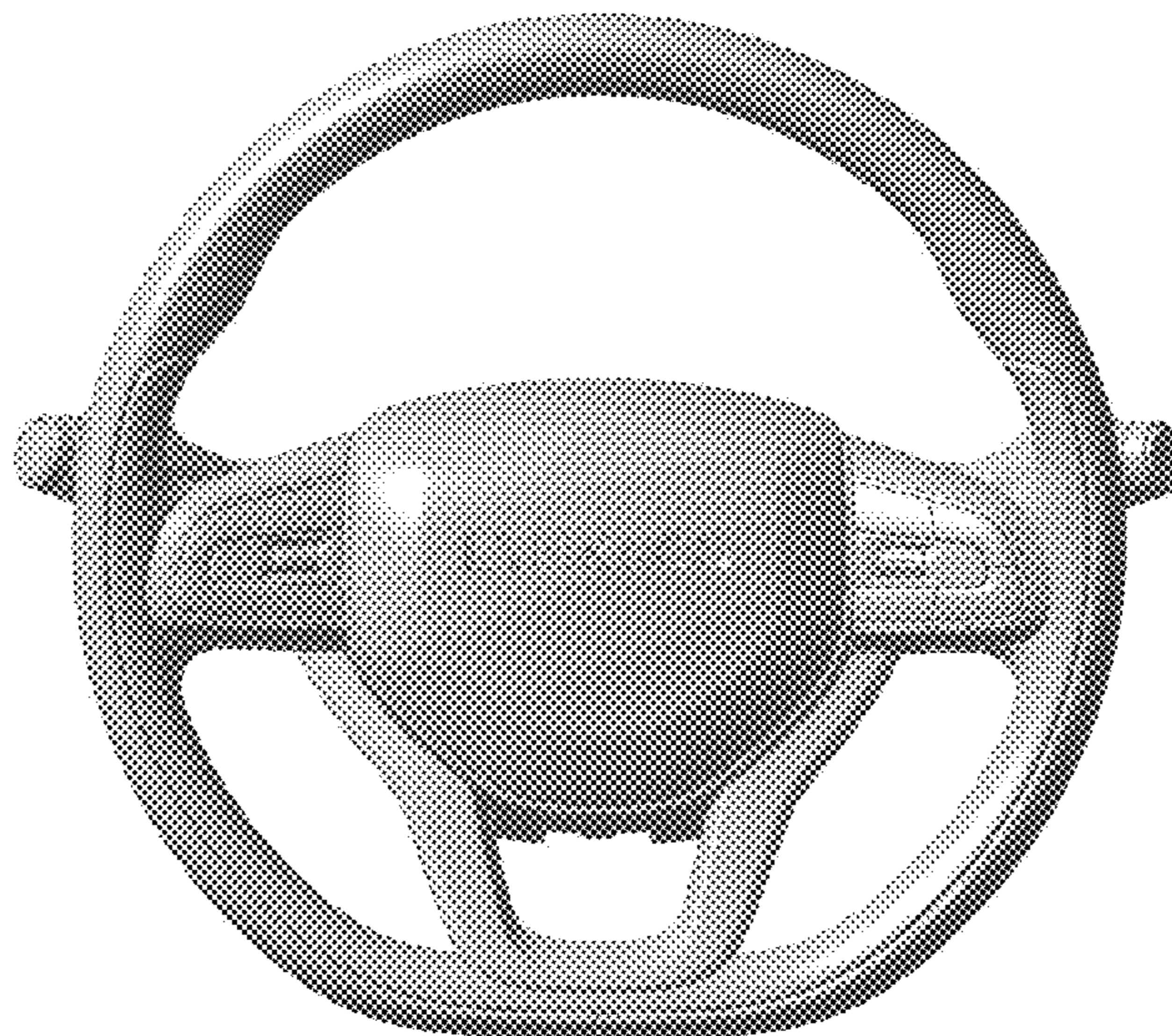
DESCRIPTION

FIG. 1 is a front and right side perspective view of a steering wheel unit showing my new design; FIG. 2 is a front elevational view thereof; FIG. 3 is a rear elevational view thereof; FIG. 4 is a left side elevational view thereof; FIG. 5 is a right side elevational view thereof; FIG. 6 is a top plan view thereof; and, FIG. 7 is a bottom plan view thereof.

Any color, text and/or symbols shown throughout the drawing views form no part of the claimed design.

The Applicant reserves the right to convert individual and various combinations of solid lines to broken lines in one or more continuation applications, since the figures convey that the inventors had possession of the features shown in solid lines, individually and in various combinations, as of the date of filing. Furthermore, Applicant reserves the right to convert the originally filed color figures to black and white line figures with appropriate shading and contour lines without the black and white line figures being considered new matter.

1 Claim, 7 Drawing Sheets



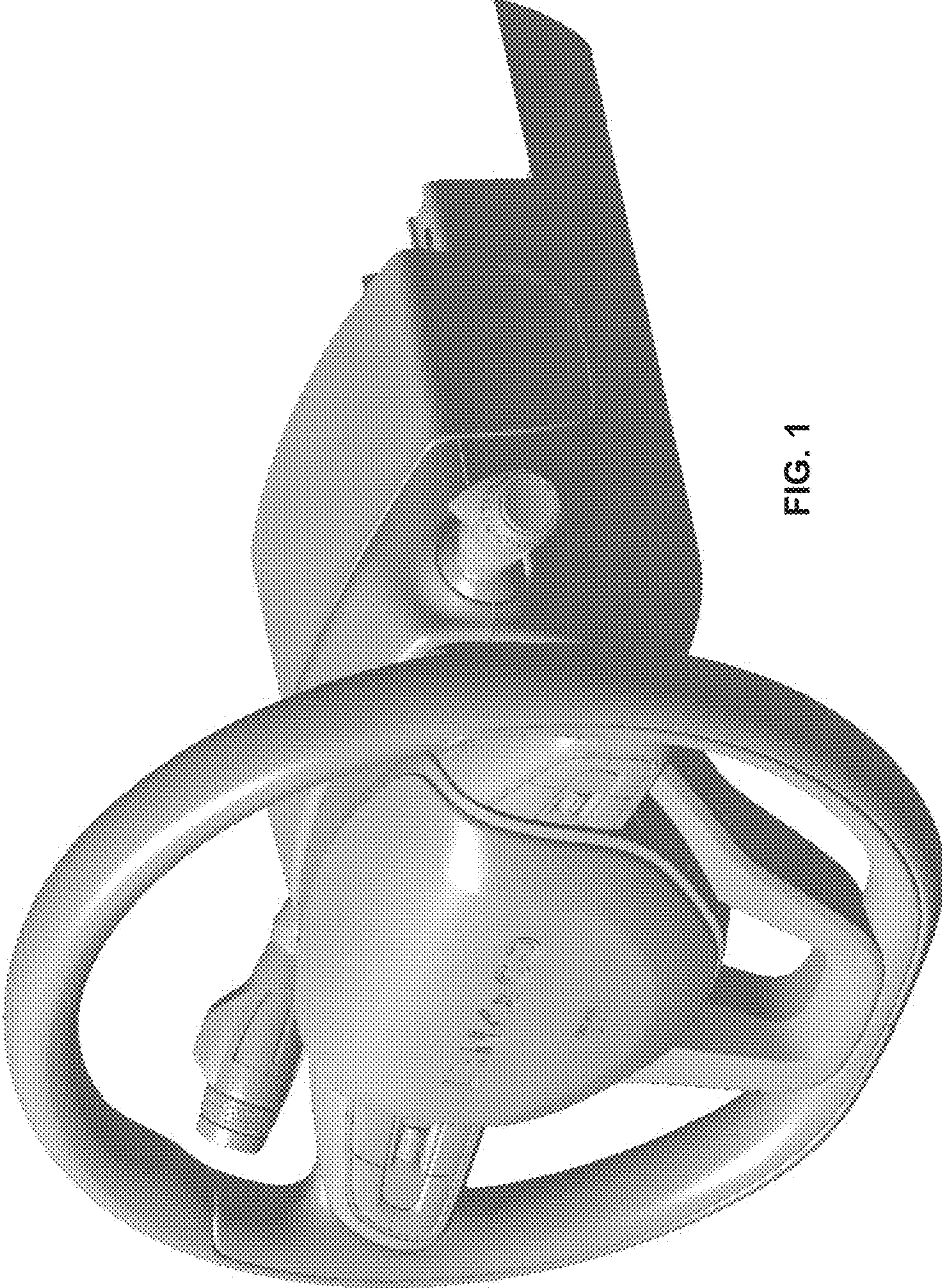


FIG. 1



FIG. 2

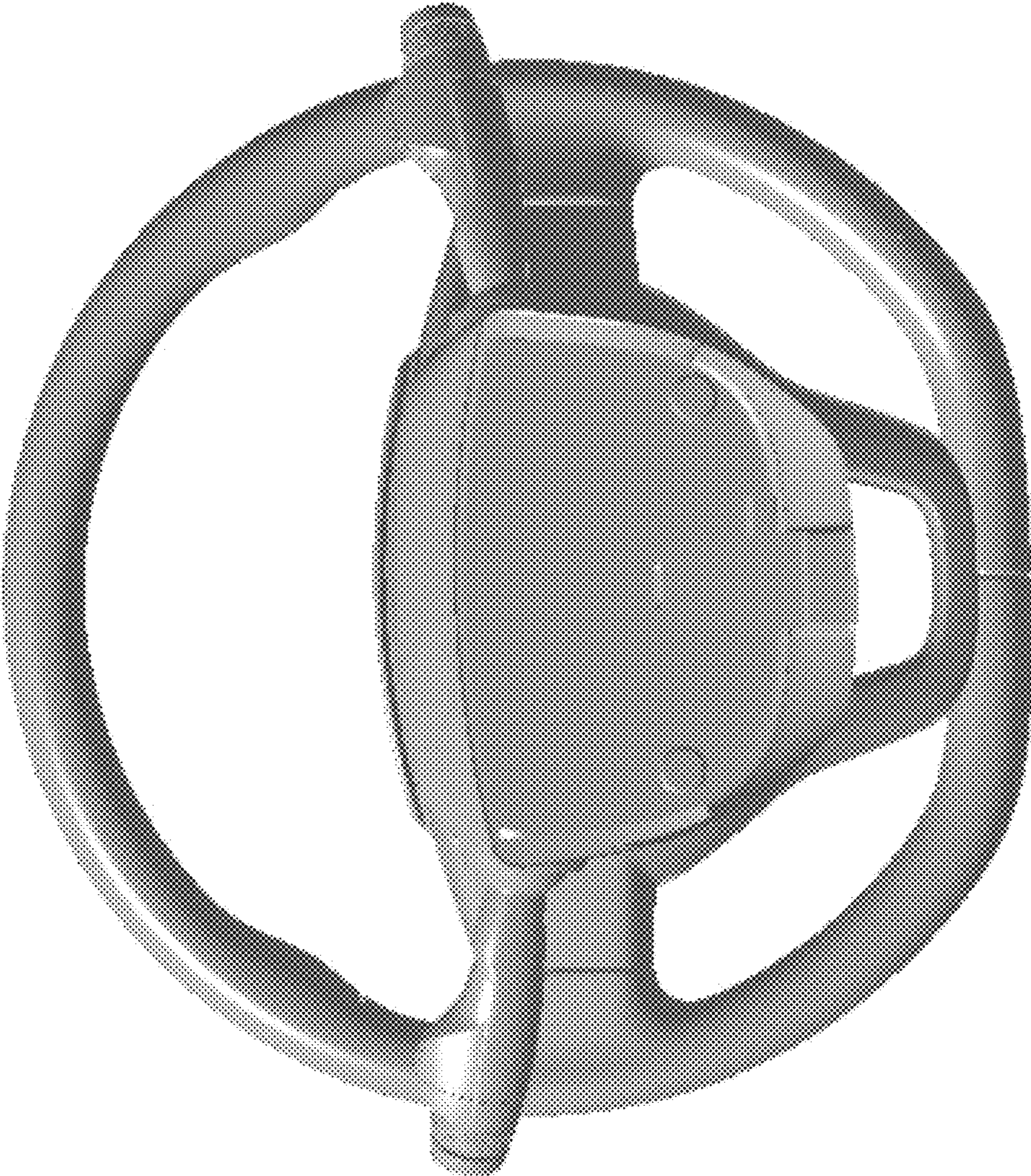


FIG. 3

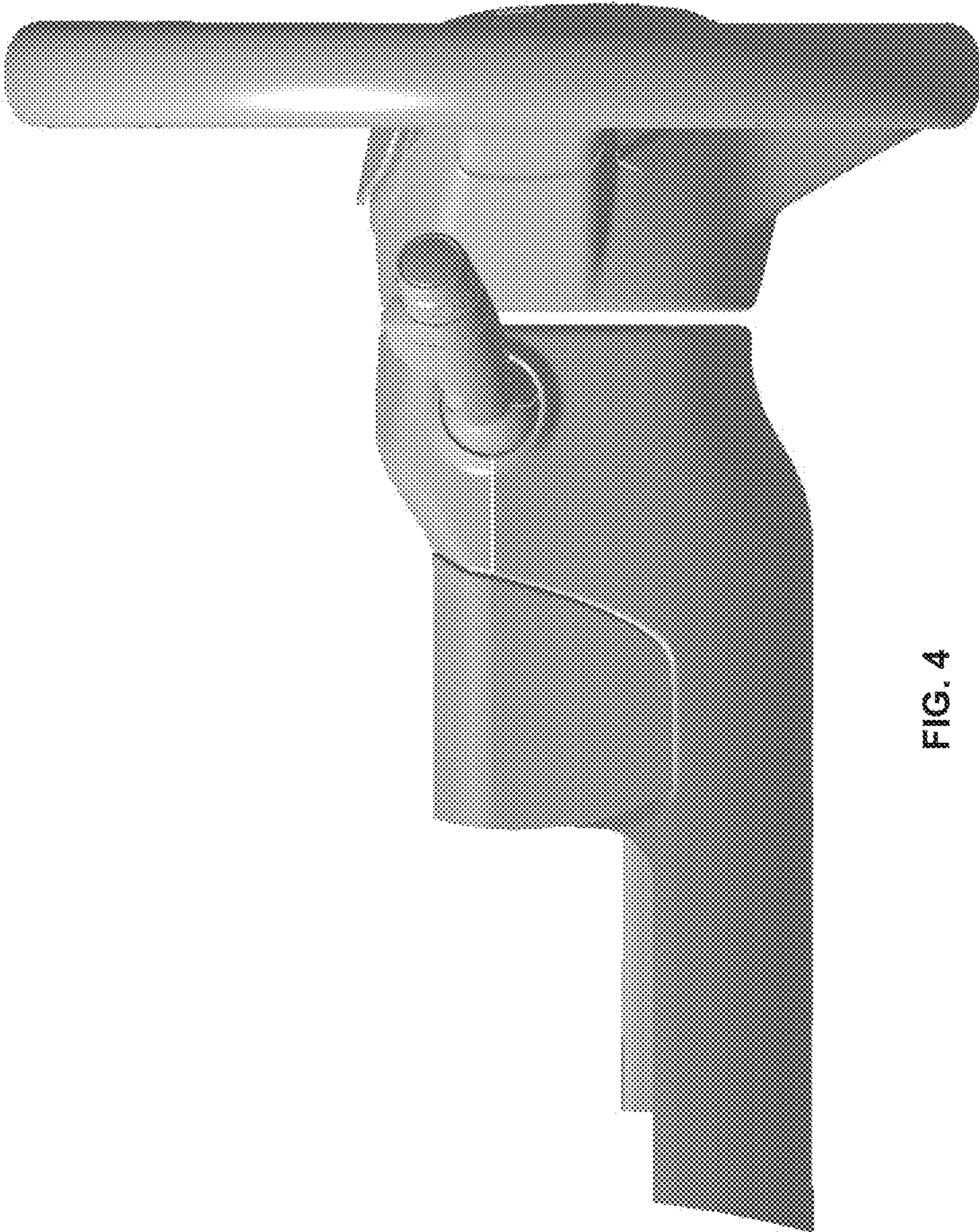


FIG. 4

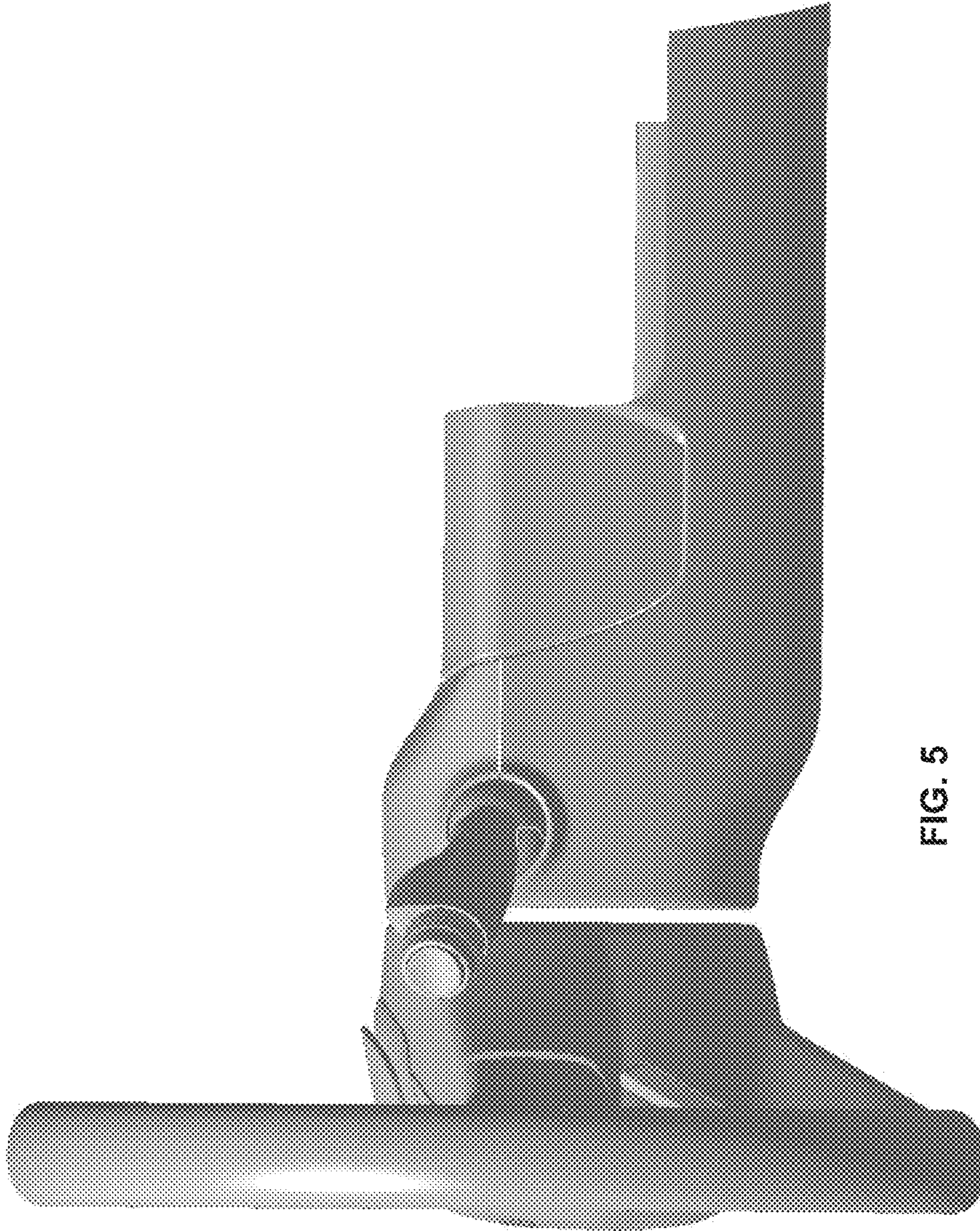


FIG. 5

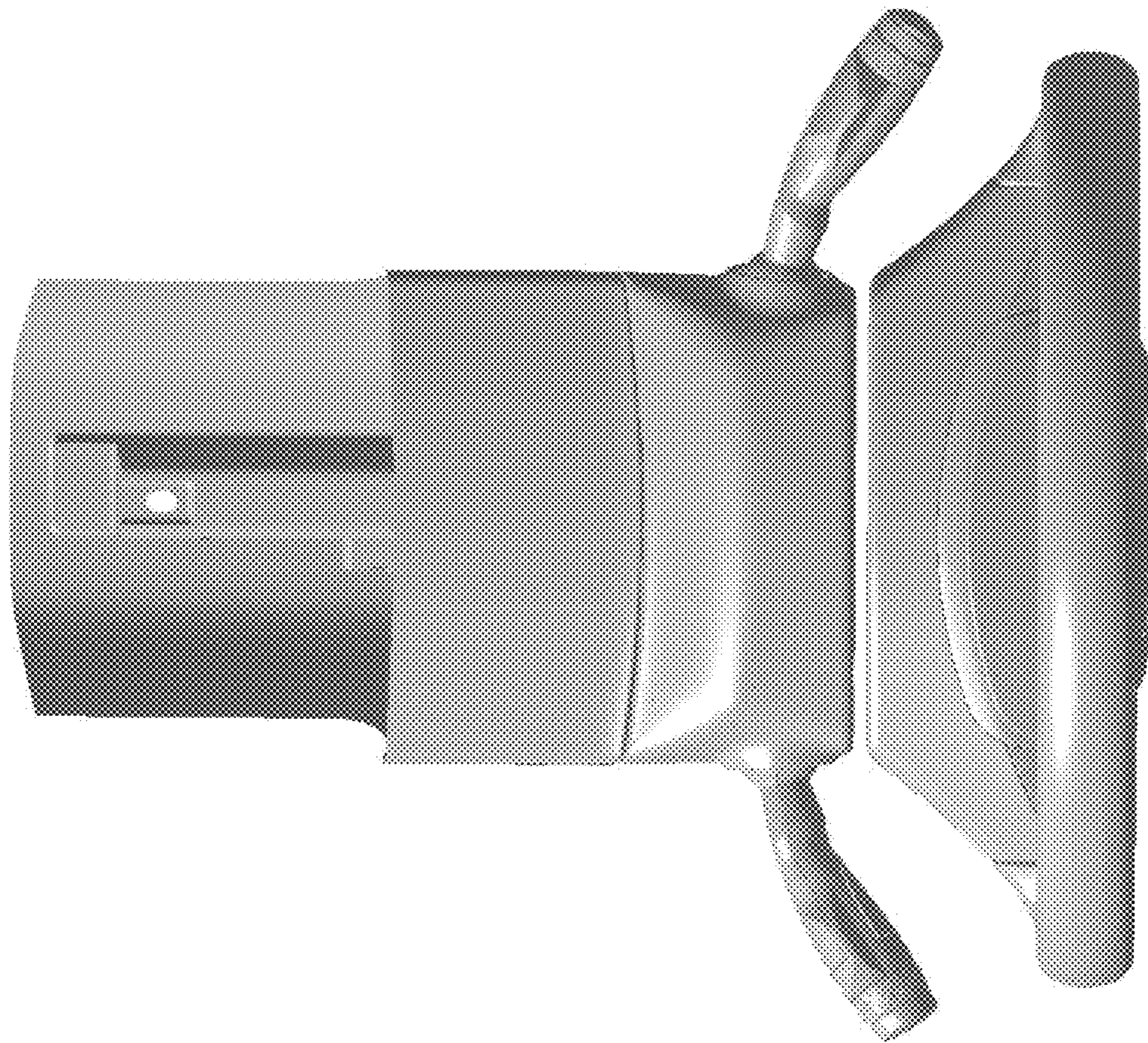


FIG. 6

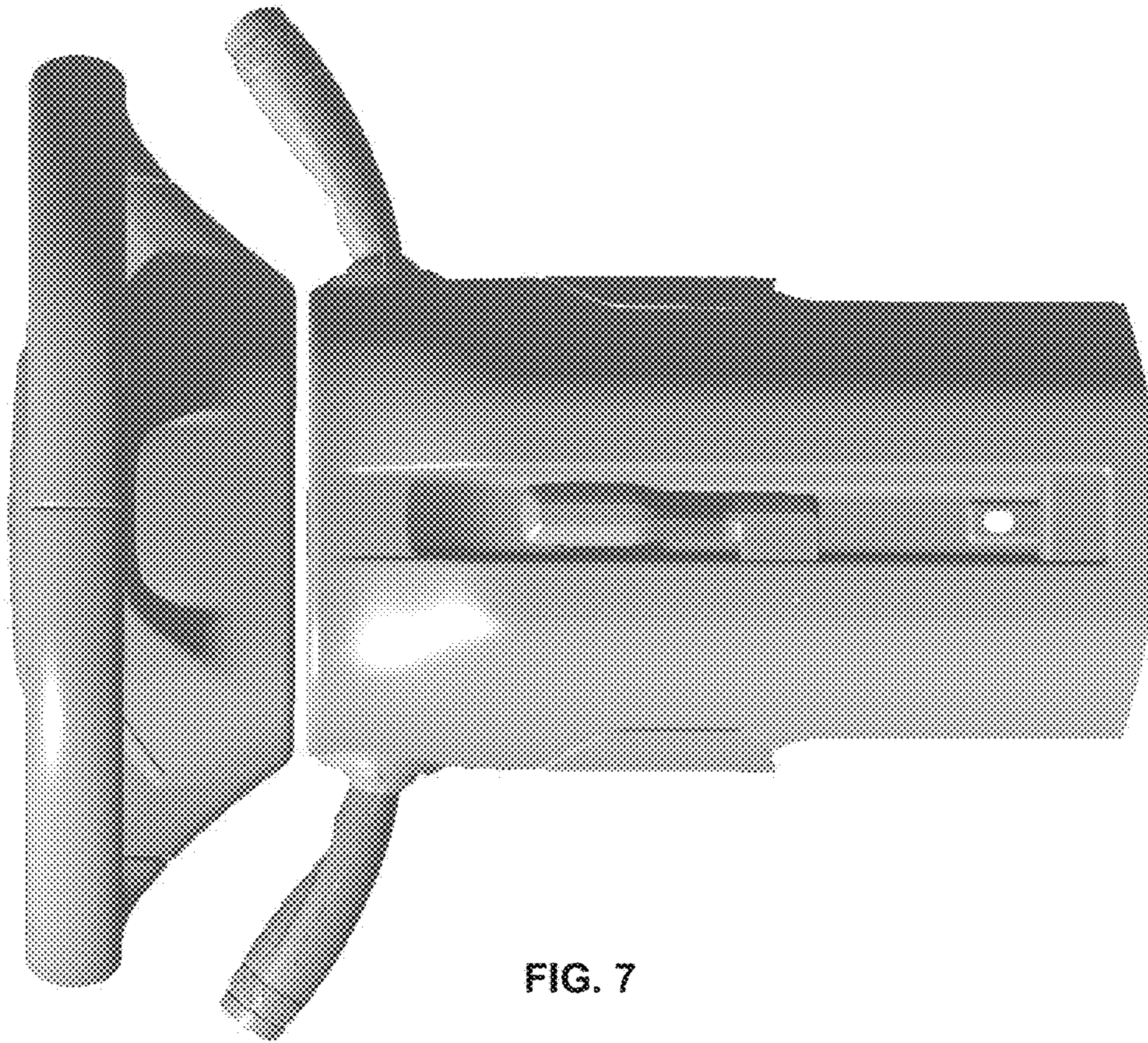


FIG. 7