



US00D848906S

(12) **United States Design Patent**
Carroll

(10) **Patent No.:** **US D848,906 S**
(45) **Date of Patent:** **** May 21, 2019**

- (54) **SERVICEABLE REPLACEMENT SPINDLE**
- (71) Applicant: **Axle Tech Inc.**, Claremore, OK (US)
- (72) Inventor: **Todd Carroll**, Claremore, OK (US)
- (73) Assignee: **UA HOLDINGS, INC.**, Claremore, OK (US)
- (**) Term: **15 Years**
- (21) Appl. No.: **29/667,445**
- (22) Filed: **Oct. 22, 2018**

- 616,686 A * 12/1898 Peterson B60B 35/14
301/135
 - D35,172 S * 10/1901 McCarty D8/387
 - 695,081 A * 3/1902 Reese B60B 35/025
301/131
 - 713,810 A * 11/1902 Simon B60B 35/14
301/134
 - 751,278 A * 2/1904 Gaston B60B 35/14
301/135
 - 844,893 A 2/1907 Raines et al.
 - 881,499 A * 3/1908 Tanck et al. B60B 35/14
301/135
 - 923,135 A * 6/1909 Brown B60B 35/14
301/135
 - 937,316 A 10/1909 Marler
 - 983,855 A 2/1911 Aton
- (Continued)

Related U.S. Application Data

- (63) Continuation of application No. 15/486,611, filed on Apr. 13, 2017.
- (51) **LOC (11) Cl.** **12-16**
- (52) **U.S. Cl.**
USPC **D12/160**
- (58) **Field of Classification Search**
USPC D12/159, 160, 161; D8/382, 387;
D22/142; D15/5
CPC . B60B 35/025; B60B 35/08; B60B 2310/302;
B60B 2320/10; B60B 2380/80; B60B
2900/541; B60B 35/14; B60B 35/00;
B60B 35/109; B60B 35/166; B23P 6/00
See application file for complete search history.

Primary Examiner — T Chase Nelson

Assistant Examiner — Ania Aman

(74) *Attorney, Agent, or Firm* — Head, Johnson, Kachigian & Wilkinson, PC

(57) **CLAIM**

The ornamental design for a serviceable replacement spindle, as shown and described.

DESCRIPTION

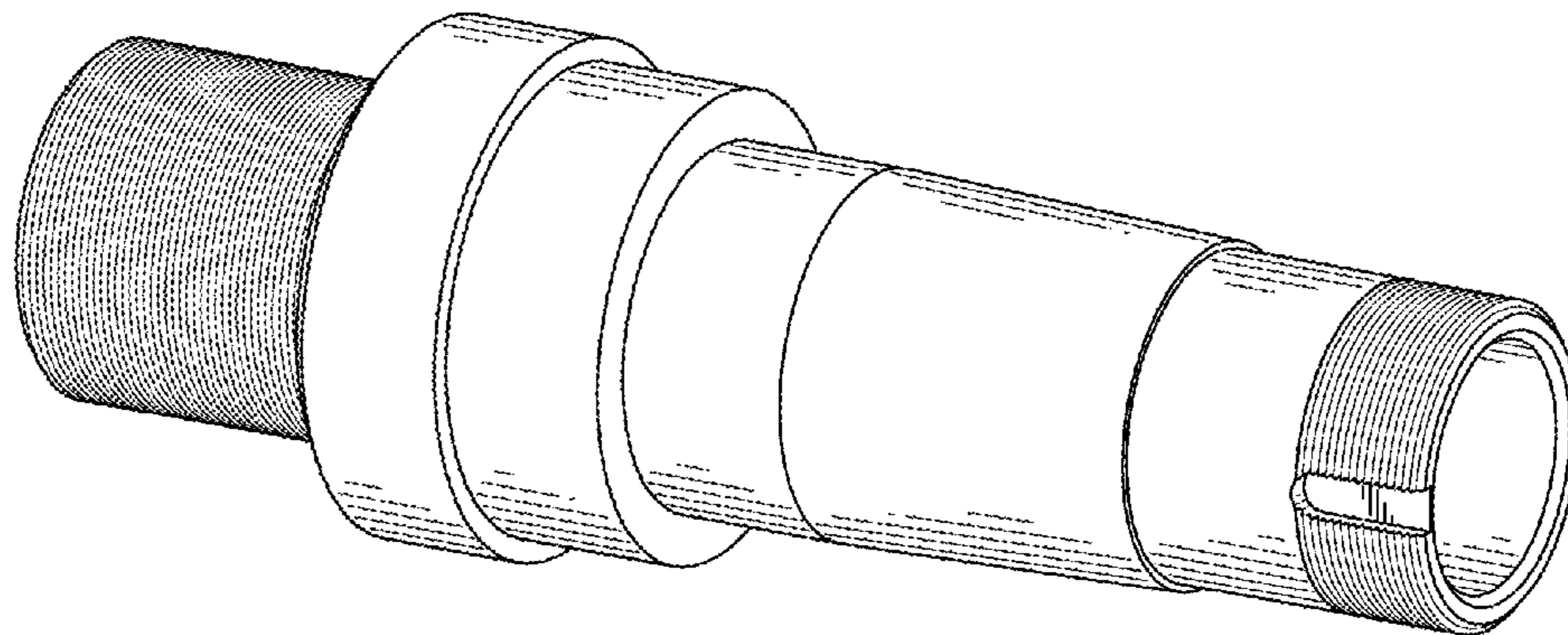
FIG. 1 is a perspective view of a serviceable replacement spindle;
 FIG. 2 is a cut-away perspective view of the serviceable replacement spindle;
 FIG. 3 is a front view of the serviceable replacement spindle;
 FIG. 4 is a left side view of the serviceable replacement spindle;
 FIG. 5 is a right side view of the serviceable replacement spindle; and,
 FIG. 6 is a back view of the serviceable replacement spindle, where the back view, top view, and bottom view are identical.

1 Claim, 3 Drawing Sheets

(56) **References Cited**

U.S. PATENT DOCUMENTS

- 114,147 A * 4/1871 Ives B60B 35/025
301/131
- 169,845 A * 11/1875 Richardson B60B 35/08
301/124.1
- 262,733 A * 8/1882 Brule B60K 3/00
384/262
- 370,080 A * 9/1887 Nott B60B 35/14
301/135



(56)

References Cited

U.S. PATENT DOCUMENTS

1,001,905	A	8/1911	Tuller	
1,008,875	A	11/1911	Tennison	
1,028,090	A	5/1912	Wilson	
2,804,157	A *	8/1957	Preston B60B 27/0026 180/340
3,465,418	A *	9/1969	Clark B21K 1/063 228/152
3,715,935	A	2/1973	Ebey	
4,363,522	A	12/1982	Palovcik	
4,571,795	A	2/1986	Shiets	
4,592,596	A	6/1986	Trautloff	
4,674,163	A	6/1987	Nugler	
4,768,839	A	9/1988	Spindler	
4,792,080	A	12/1988	Ferrari	
4,828,328	A *	5/1989	Bowman B60B 35/02 301/111.04
6,024,418	A	2/2000	Ebert	
8,827,285	B1	9/2014	Su	
8,939,518	B2 *	1/2015	Ebert B60B 35/14 301/131
2011/0260526	A1 *	10/2011	Gander B60B 35/04 301/111.03
2013/0207450	A1 *	8/2013	Ebert B60B 35/14 301/132
2014/0238808	A1 *	8/2014	Lai B60B 27/023 192/46
2016/0023513	A1 *	1/2016	Crockett, Jr. B60B 27/02 301/105.1
2017/0284482	A1 *	10/2017	Gerhardt B60B 27/047
2017/0297152	A1 *	10/2017	Andrews B23P 15/003
2018/0111418	A1 *	4/2018	Leith B60B 35/025
2018/0297400	A1 *	10/2018	Carroll B60B 35/08
2018/0312001	A1 *	11/2018	Holt B60B 37/04
2018/0370565	A1 *	12/2018	White B62D 7/18

* cited by examiner

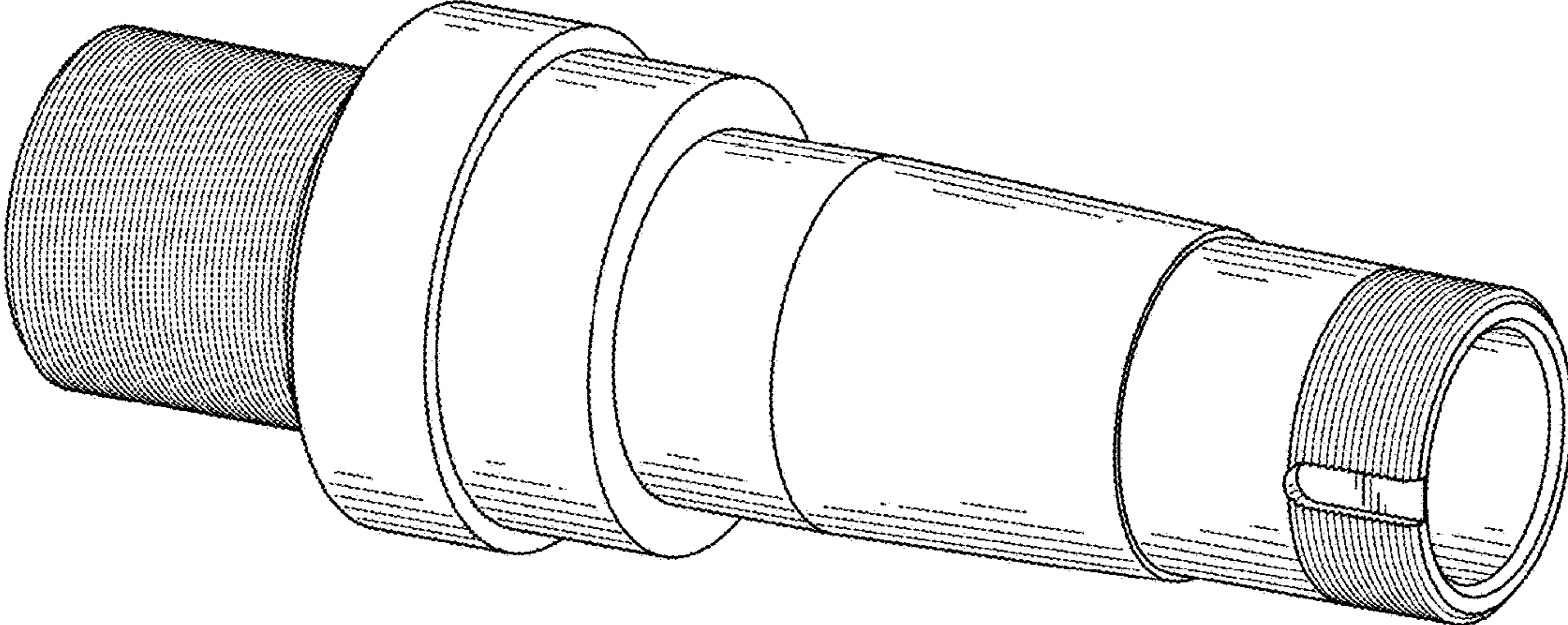


FIG. 1

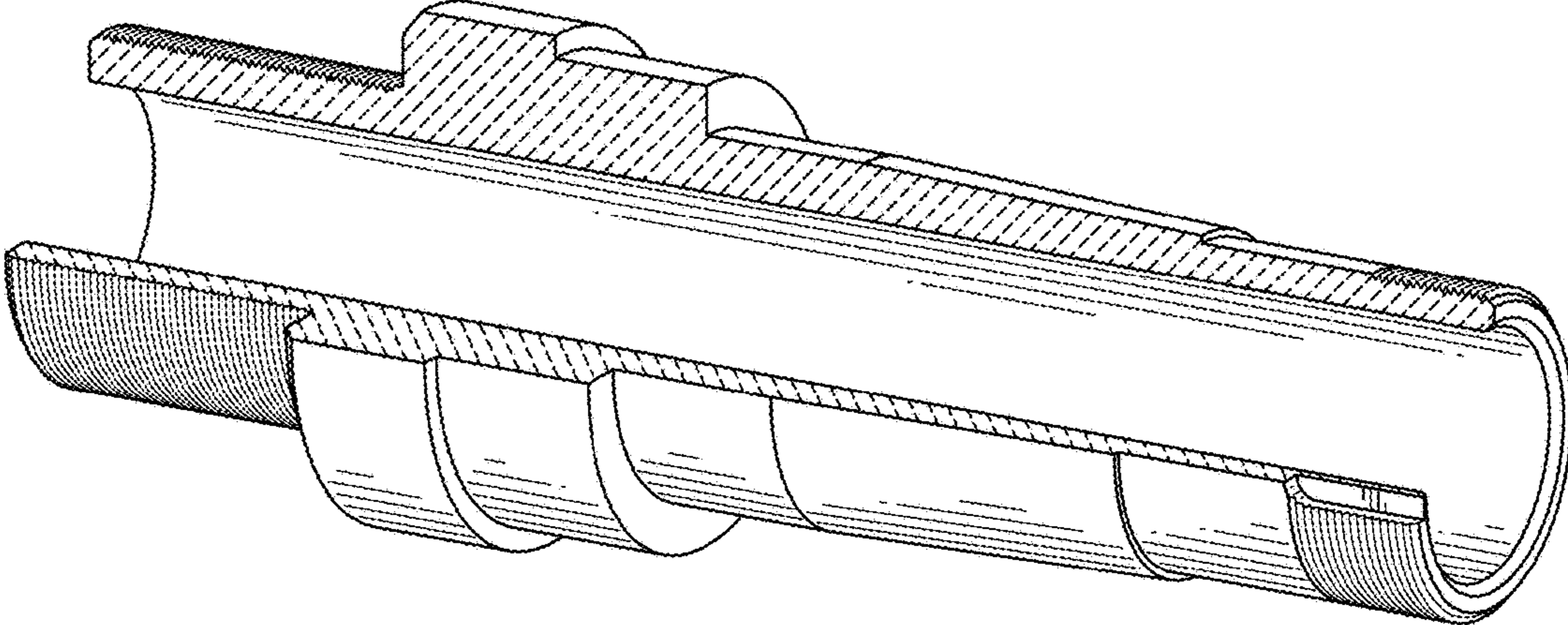


FIG. 2

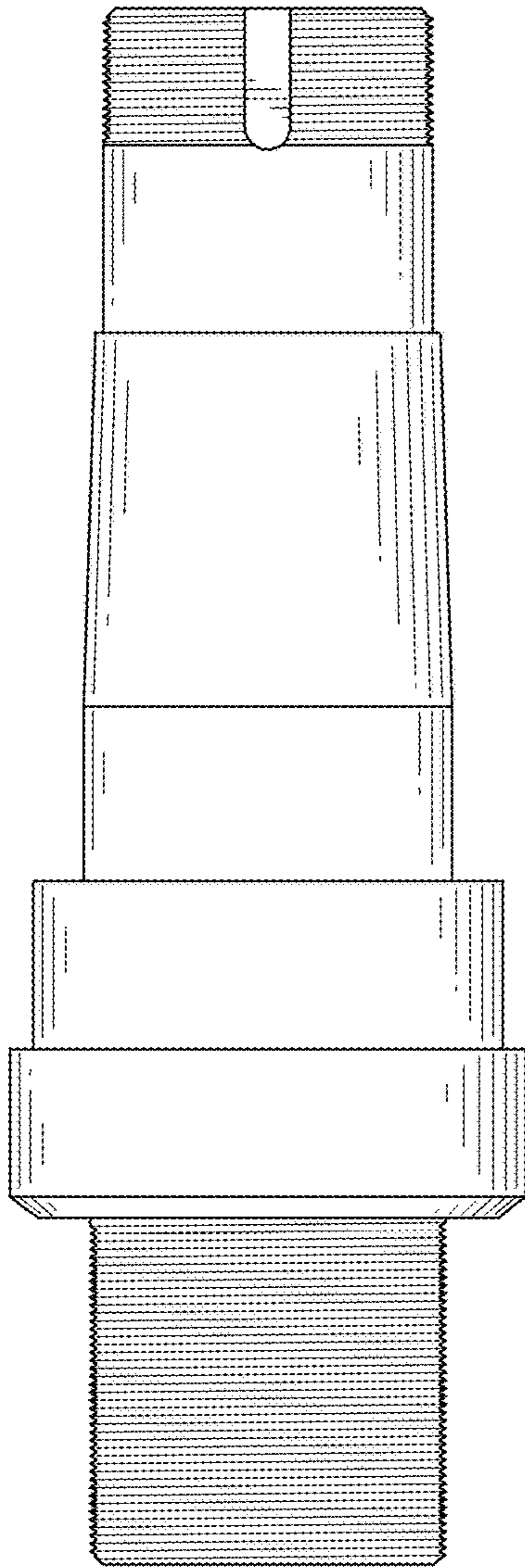


FIG. 3

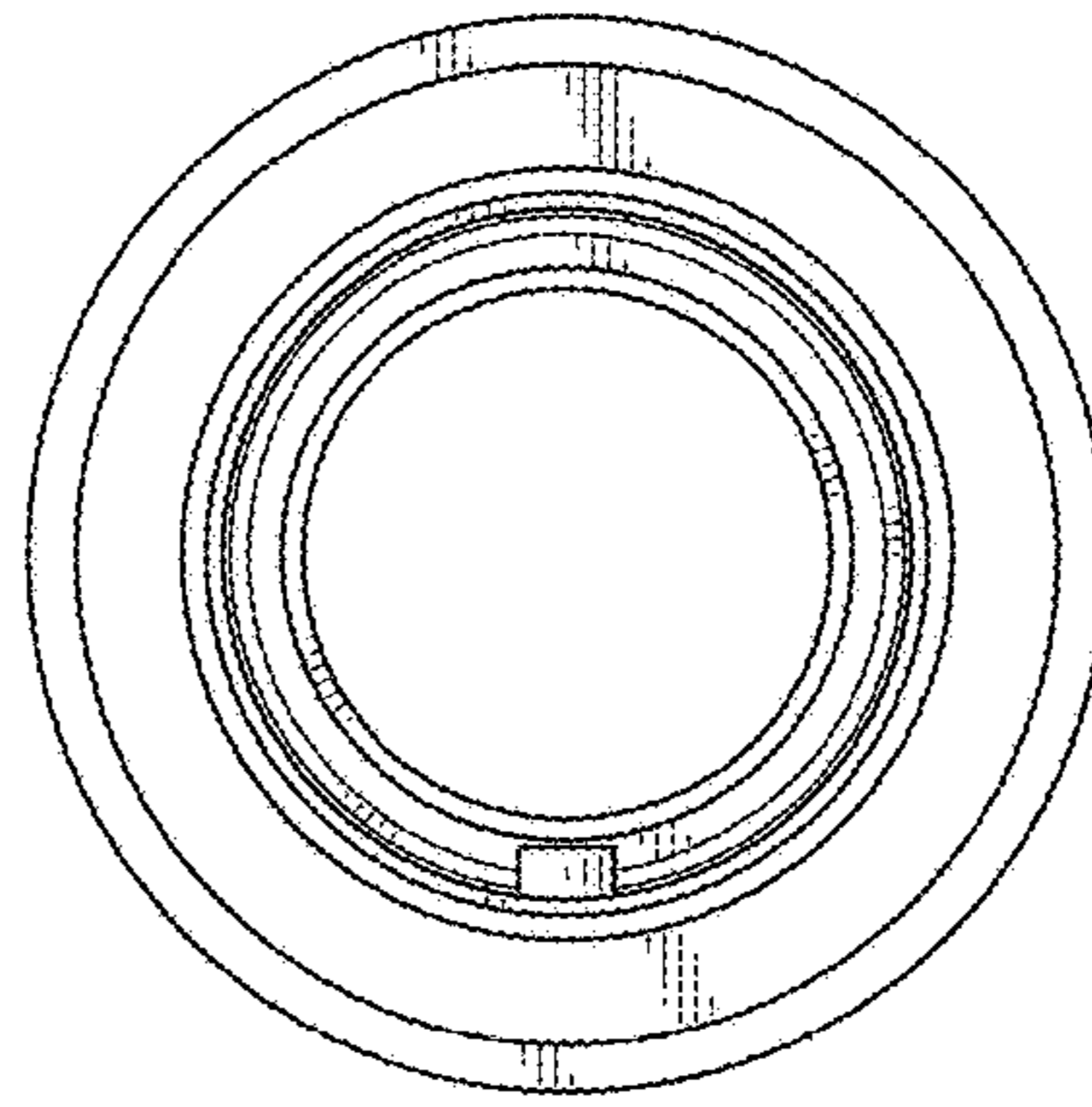


FIG. 5

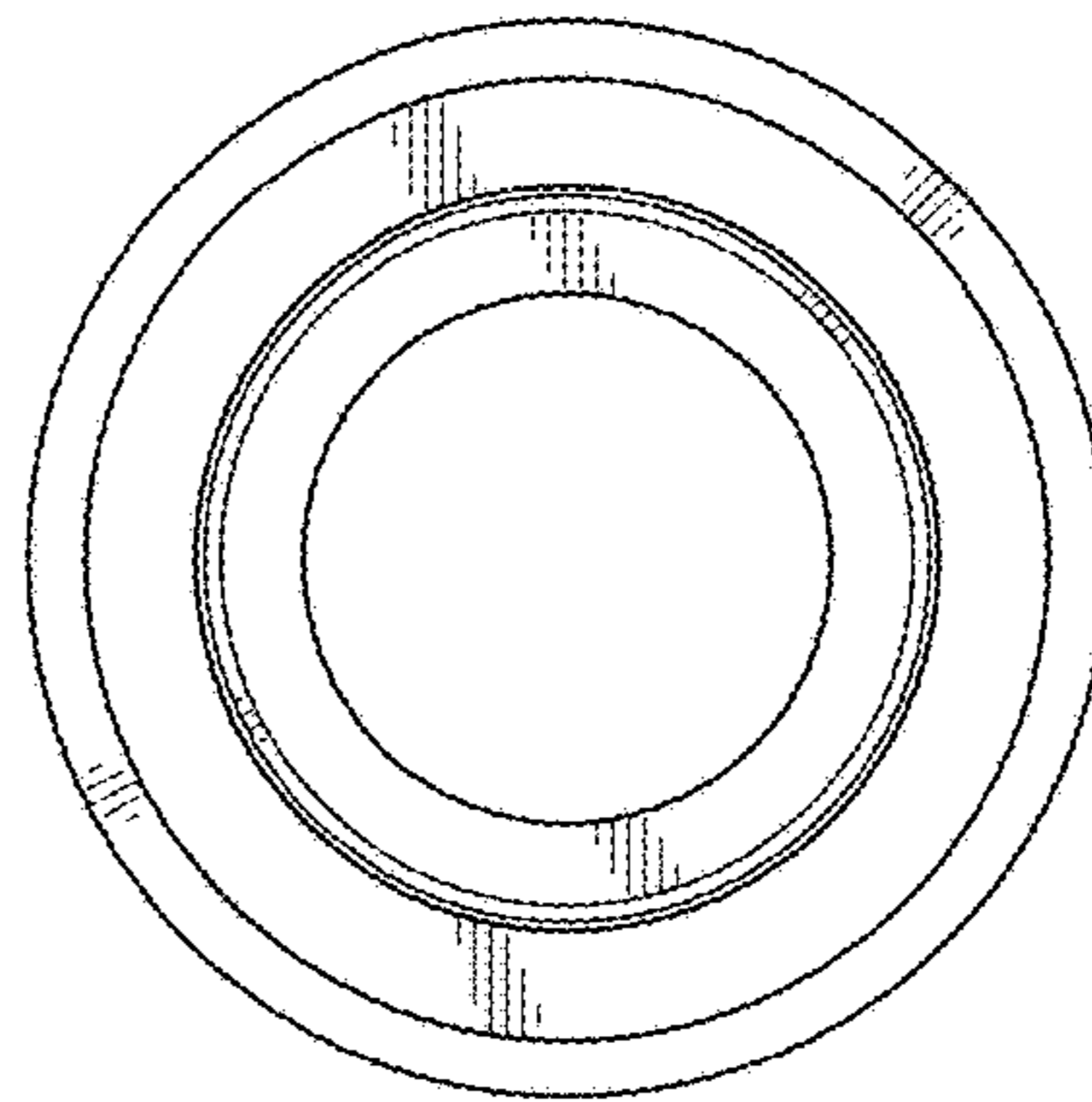


FIG. 4

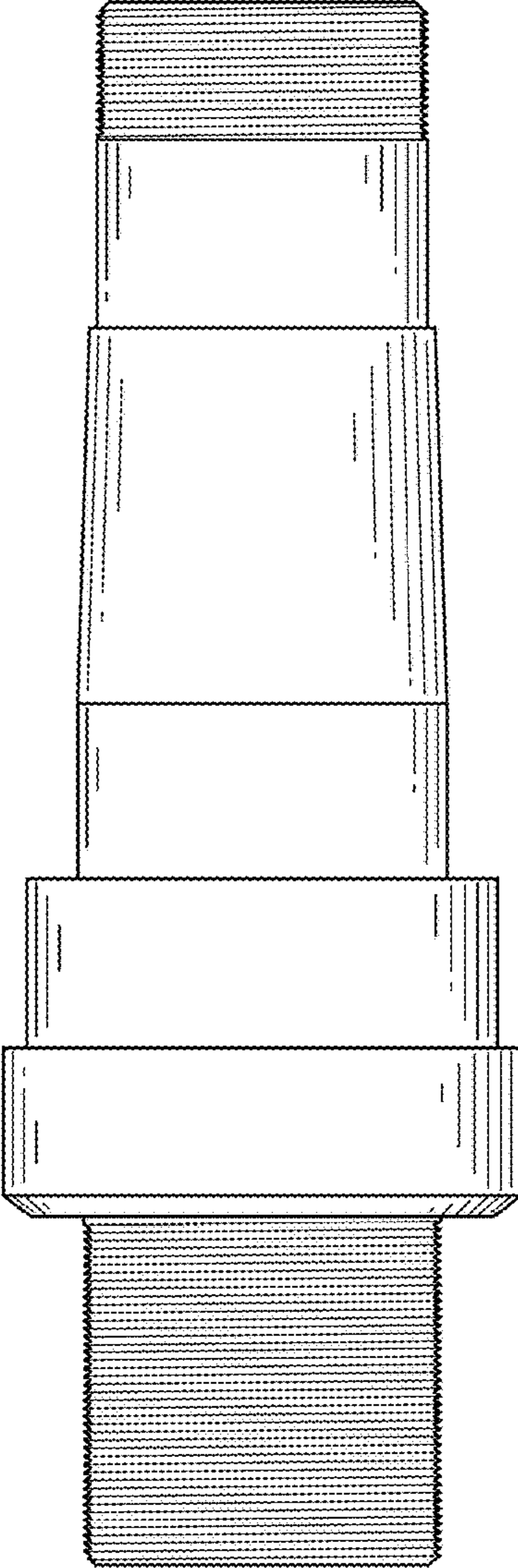


FIG. 6