



US00D848903S

(12) **United States Design Patent** (10) **Patent No.:** **US D848,903 S**
Armigliato et al. (45) **Date of Patent:** **** May 21, 2019**

(54) **ROAD VEHICLE TRAILER**
(71) Applicant: **IVECO S.p.A.**, Turin (IT)
(72) Inventors: **Marco Armigliato**, Turin (IT); **Raffaele Vergano**, Cambiano (IT); **Giampiero Vietti Niclot**, Caselle Torinese (IT); **David Melvin Wilkie**, Turin (IT); **Alessandro Bernardini**, Genoa (IT)

D531,549 S * 11/2006 Gunby D12/103
D532,719 S * 11/2006 Gunby D12/103
D554,024 S * 10/2007 Lane D12/102
D566,005 S * 4/2008 Teague D12/86
7,878,545 B2 * 2/2011 Rhymer B60P 3/32
280/441.2
D826,098 S * 8/2018 Armigliato D12/93
2007/0075522 A1 * 4/2007 Hermon B60D 1/36
280/477

(73) Assignee: **IVESCO S.P.A.**, Turin (IT)
(**) Term: **15 Years**

FOREIGN PATENT DOCUMENTS

EP 1870320 12/2007
EP 1870321 12/2007
EP 1870322 12/2007

(21) Appl. No.: **29/597,338**

* cited by examiner

(22) Filed: **Mar. 16, 2017**

Primary Examiner — Susan E Krakower
Assistant Examiner — Jerry Shiuan-Hua Hsu
(74) *Attorney, Agent, or Firm* — Stetina Brunda Garred and Brucker

(30) **Foreign Application Priority Data**

Sep. 19, 2016 (EM) 003384890-0003

(51) **LOC (11) Cl.** **12-10**

(52) **U.S. Cl.**
USPC **D12/102**

(58) **Field of Classification Search**
USPC D12/86, 93, 95, 96, 97, 98, 99, 101, 102, D12/103, 104, 105, 106; D21/558
CPC .. B60P 3/04; B60P 3/32; B60P 3/2215; B60P 3/1145; B60P 3/1155; B60P 3/1165; A63H 17/00; B62D 34/001
See application file for complete search history.

(57) **CLAIM**

The ornamental design for a road vehicle trailer, as shown and described.

(56) **References Cited**

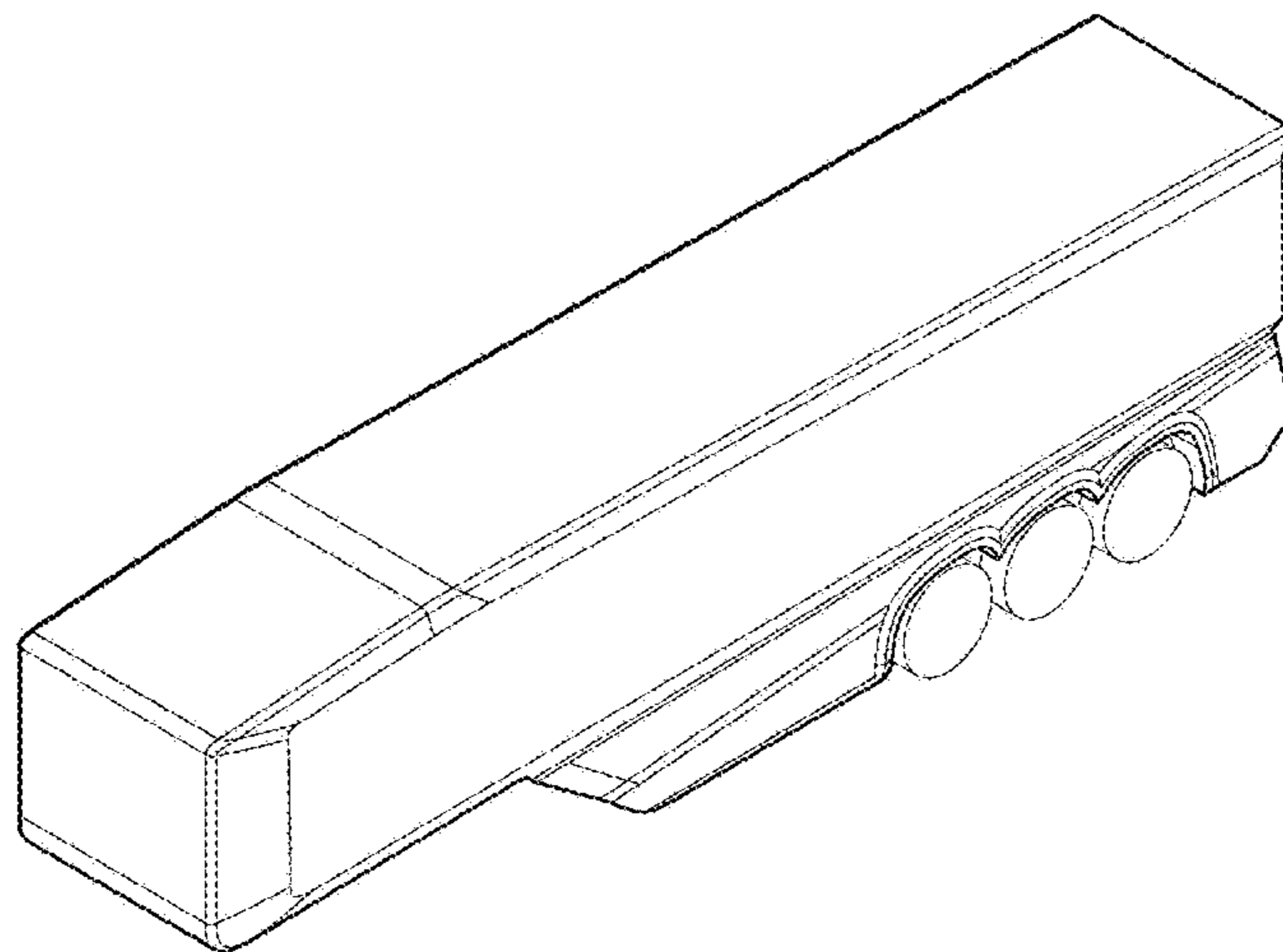
U.S. PATENT DOCUMENTS

D191,674 S * 10/1961 Alvaney D12/97
3,888,040 A * 6/1975 Waterhouse A63H 17/00
446/434
D267,710 S * 1/1983 King D12/103
D342,700 S * 12/1993 Vernese D12/102
D460,500 S * 7/2002 Berger D21/558
7,004,525 B1 * 2/2006 Turnbow B60P 3/04
296/24.31
D522,922 S * 6/2006 Swails D12/103

DESCRIPTION

FIG. 1 is a front perspective view of the road vehicle trailer showing our new design;
FIG. 2 is a rear perspective view thereof;
FIG. 3 is a front view thereof;
FIG. 4 is a rear view thereof;
FIG. 5 is a side view thereof, the opposite side views being a mirror image;
FIG. 6 is a top plan view thereof; and,
FIG. 7 is a bottom view thereof.
The broken lines and areas within them illustrate portions of the road vehicle trailer that form no part of the claimed design.

1 Claim, 7 Drawing Sheets



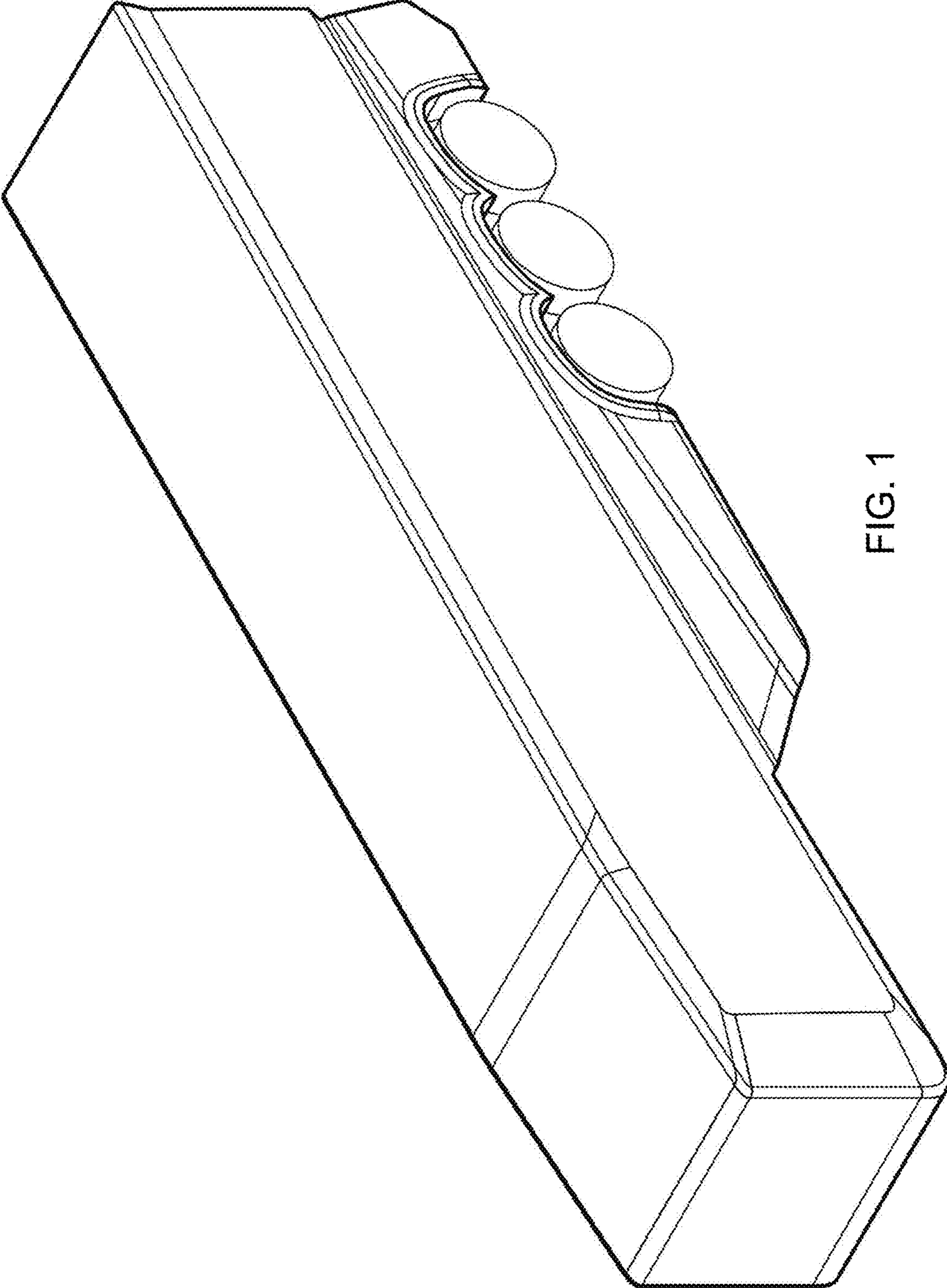


FIG. 1

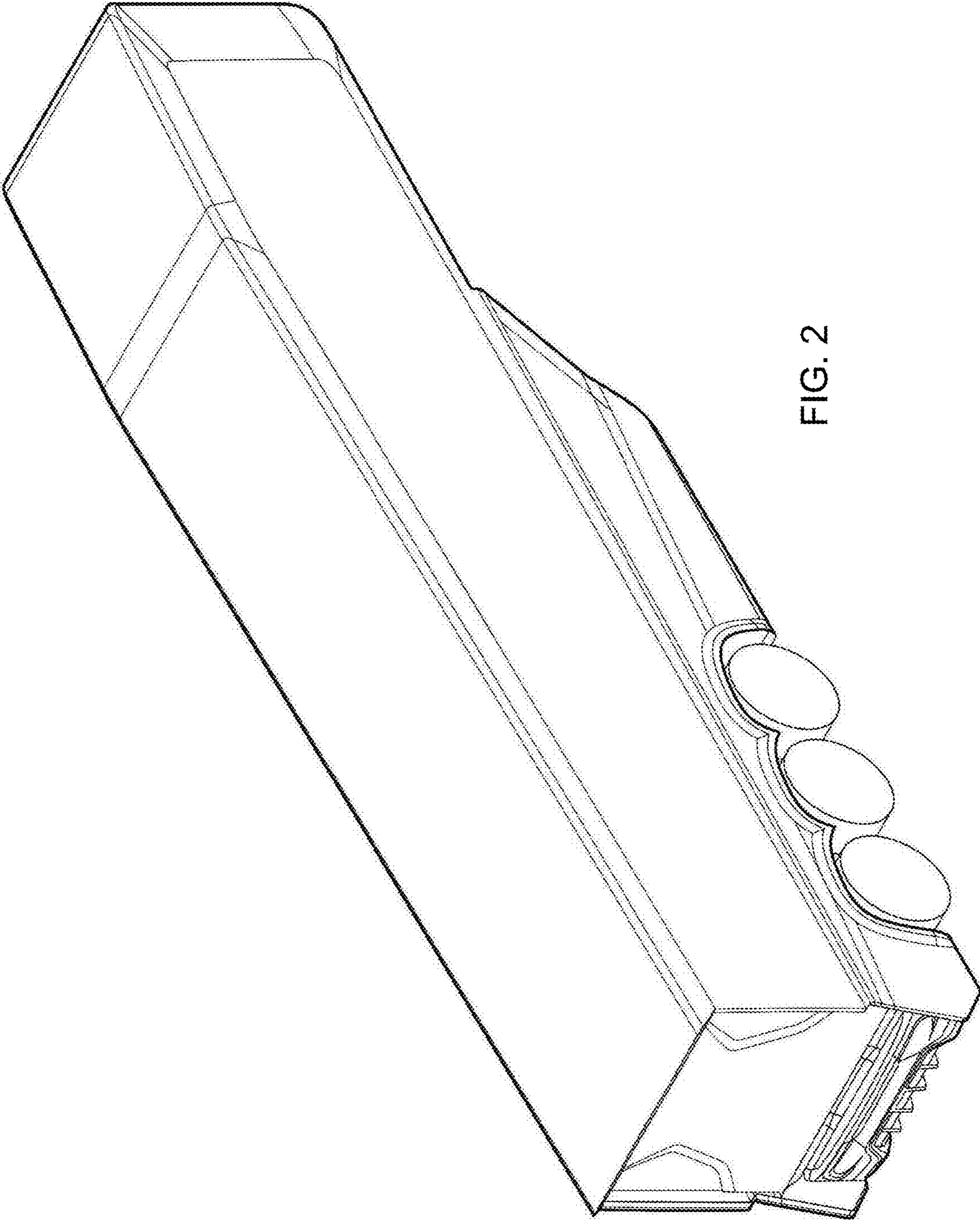


FIG. 2

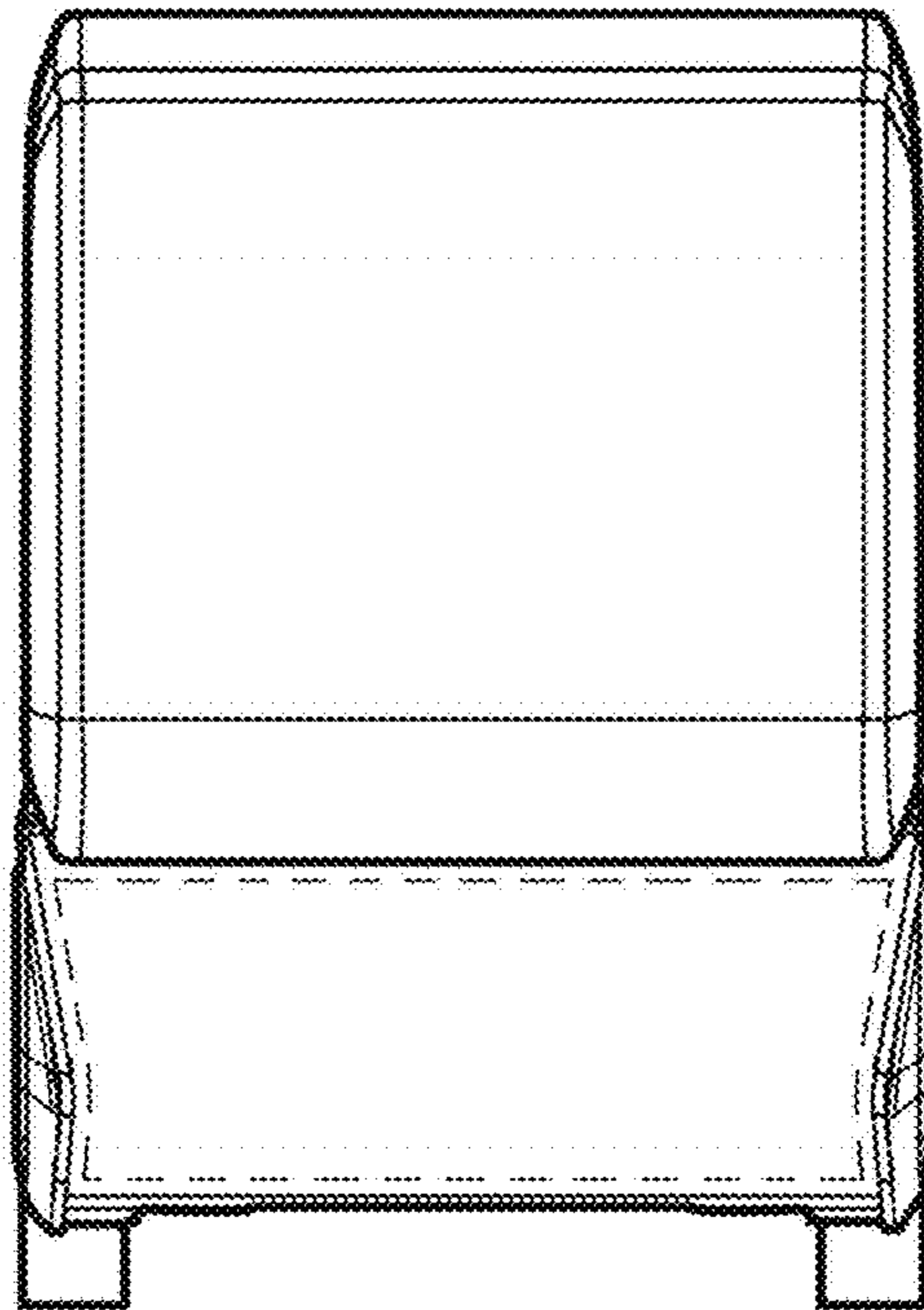


FIG. 3

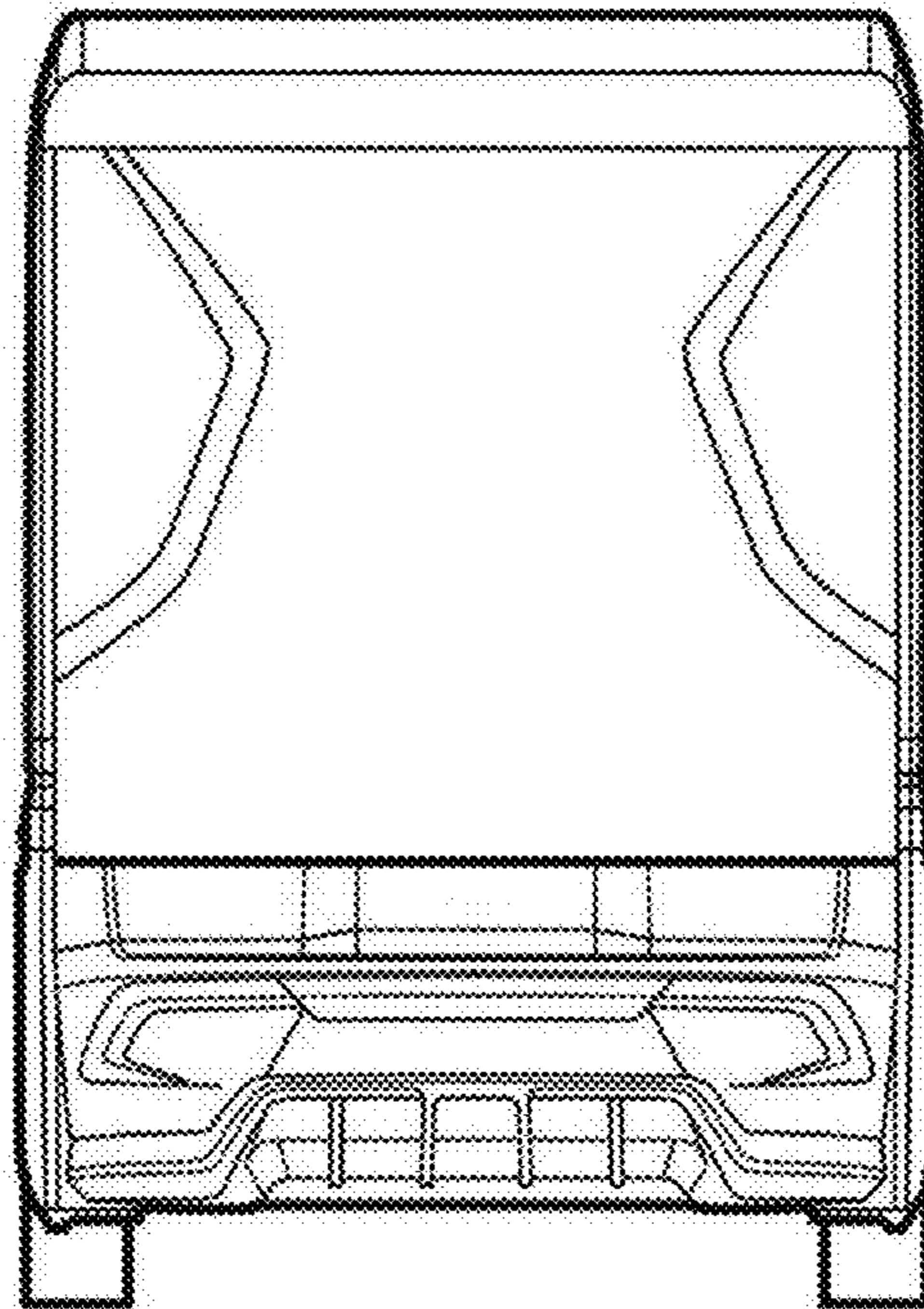


FIG. 4

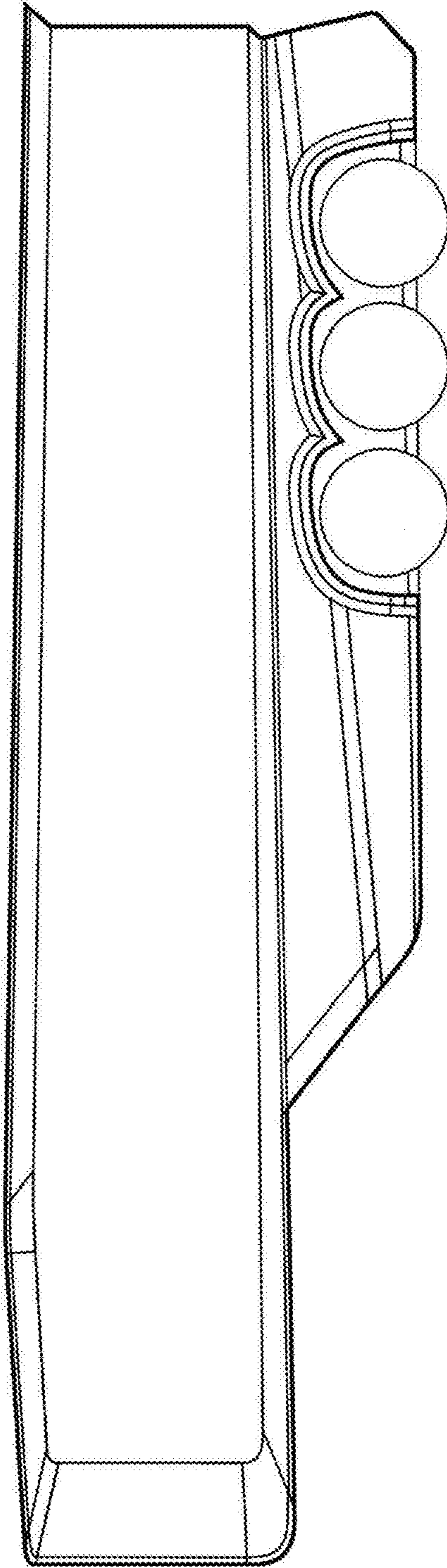


FIG. 5

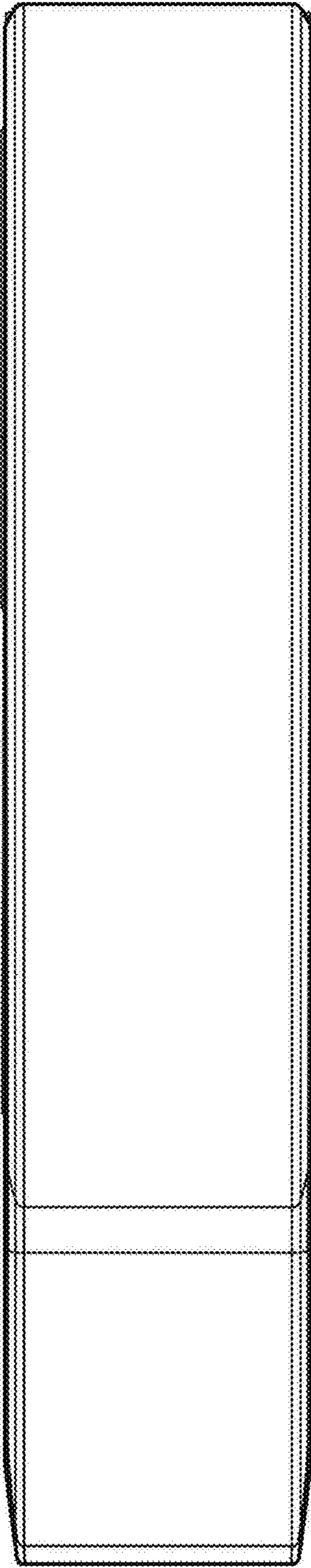


FIG. 6

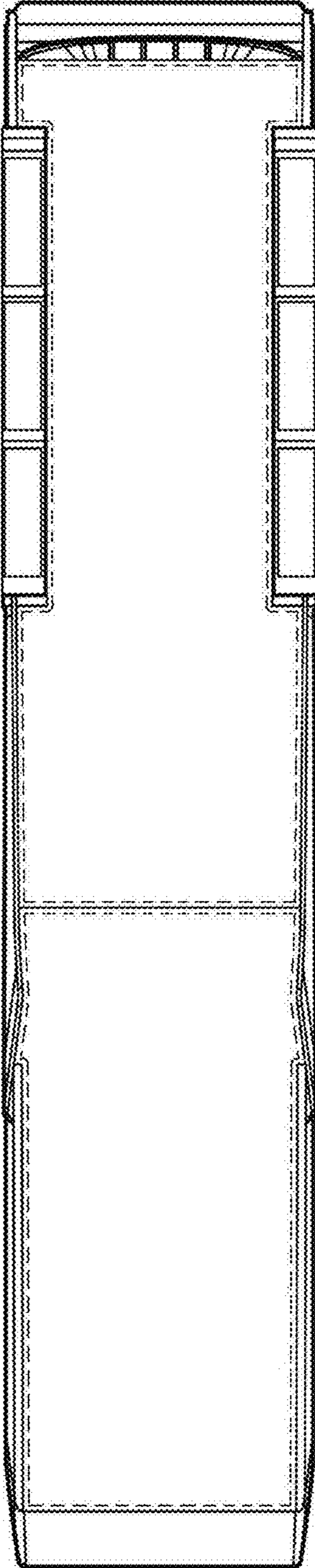


FIG. 7

UNITED STATES PATENT AND TRADEMARK OFFICE
CERTIFICATE OF CORRECTION

PATENT NO. : D848,903 S
APPLICATION NO. : 29/597338
DATED : May 21, 2019
INVENTOR(S) : Marco Armigliato et al.

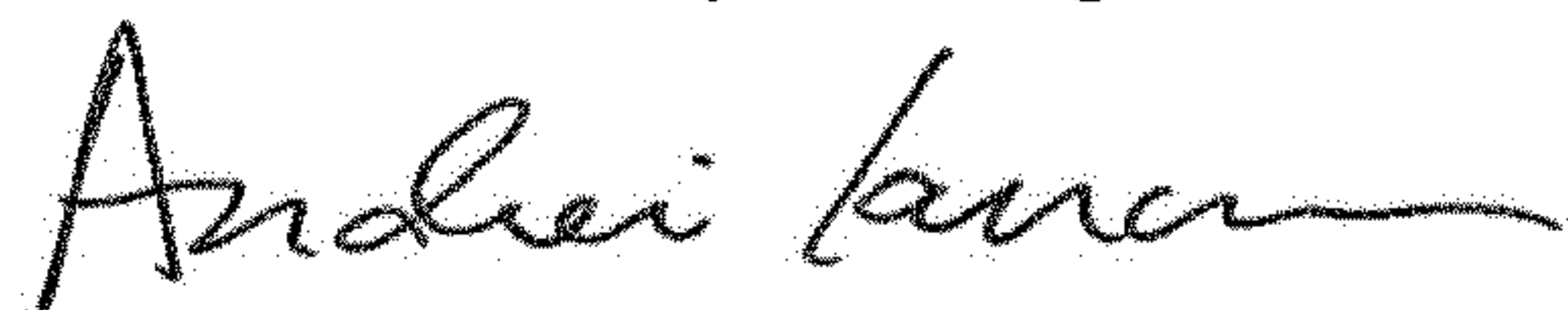
Page 1 of 1

It is certified that error appears in the above-identified patent and that said Letters Patent is hereby corrected as shown below:

On the Title Page

(73) Assignee: "IVESCO S.P.A." should read "IVECO S.P.A."

Signed and Sealed this
Thirteenth Day of August, 2019



Andrei Iancu
Director of the United States Patent and Trademark Office