



US00D848900S

(12) **United States Design Patent**
Lin

(10) **Patent No.:** **US D848,900 S**

(45) **Date of Patent:** **** May 21, 2019**

- (54) **D-RING**
- (71) Applicant: **Duraflex Hong Kong Limited**, Hong Kong (CN)
- (72) Inventor: **Po Chu Lin**, Taipei (TW)
- (73) Assignee: **Duraflex Hong Kong Limited**, Hong Kong (CN)
- (**) Term: **15 Years**
- (21) Appl. No.: **29/619,506**
- (22) Filed: **Sep. 29, 2017**
- (51) **LOC (11) Cl.** **02-07**
- (52) **U.S. Cl.**
USPC **D11/218**; D11/216
- (58) **Field of Classification Search**
USPC D7/622, 392.1, 396.2; D9/434, 435, 436, D9/440, 443, 446, 447, 449, 455, 499; D3/207, 210, 215, 228; D11/216, 218; D29/122, 124
CPC A44B 11/25; A44B 11/26; A44B 11/06; A44B 11/04; A44B 11/001; A44B 11/10
See application file for complete search history.

(56) **References Cited**

U.S. PATENT DOCUMENTS

- 379,613 A * 3/1888 Smith A44B 11/06 24/168
- D124,604 S * 1/1941 Goodwin D11/216
- D132,679 S * 6/1942 White D11/218
- D298,177 S * 10/1988 Bonner 182/3
- D405,690 S * 2/1999 Takahashi D9/434
- D604,912 S * 11/2009 Paul D29/124

- D680,902 S * 4/2013 Chan D11/218
- D680,903 S * 4/2013 Chan D11/218
- 9,115,826 B2 * 8/2015 Wu H01R 13/60
- D750,530 S * 3/2016 VanHoutin D11/218
- D821,090 S * 6/2018 Case D3/207
- D823,717 S * 7/2018 Ho D11/218
- 10,039,349 B2 * 8/2018 Muller A44B 11/04

OTHER PUBLICATIONS

Duraflex. Botanic D Ring. No date specified. <URL:http://www.duraflexgroup.com/productDetail.aspx?id=738&sort=backpack>. (Year: 0).*

* cited by examiner

Primary Examiner — George D. Kirschbaum

Assistant Examiner — Darcey E Gottschalk

(74) *Attorney, Agent, or Firm* — Collard & Roe, P.C.

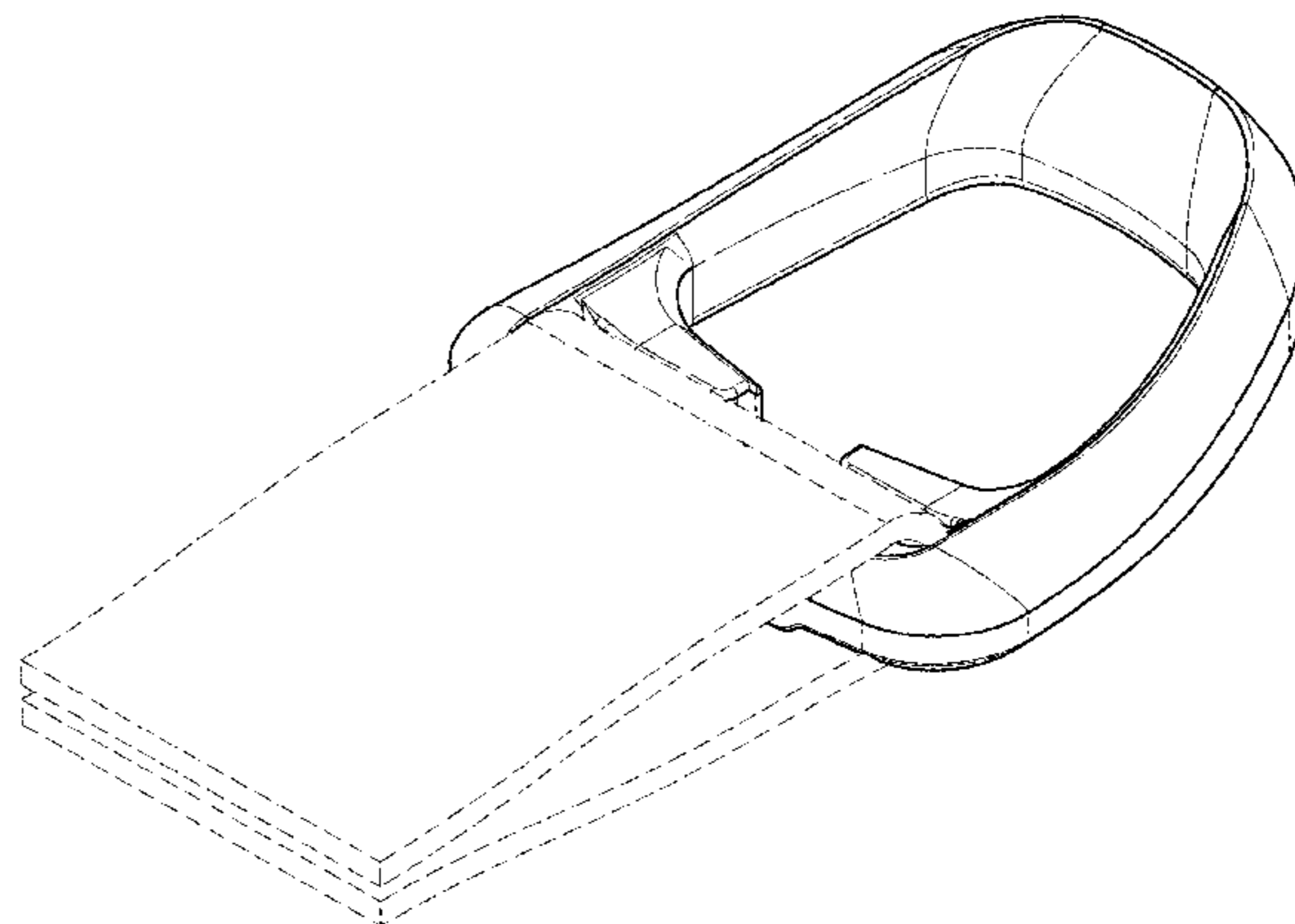
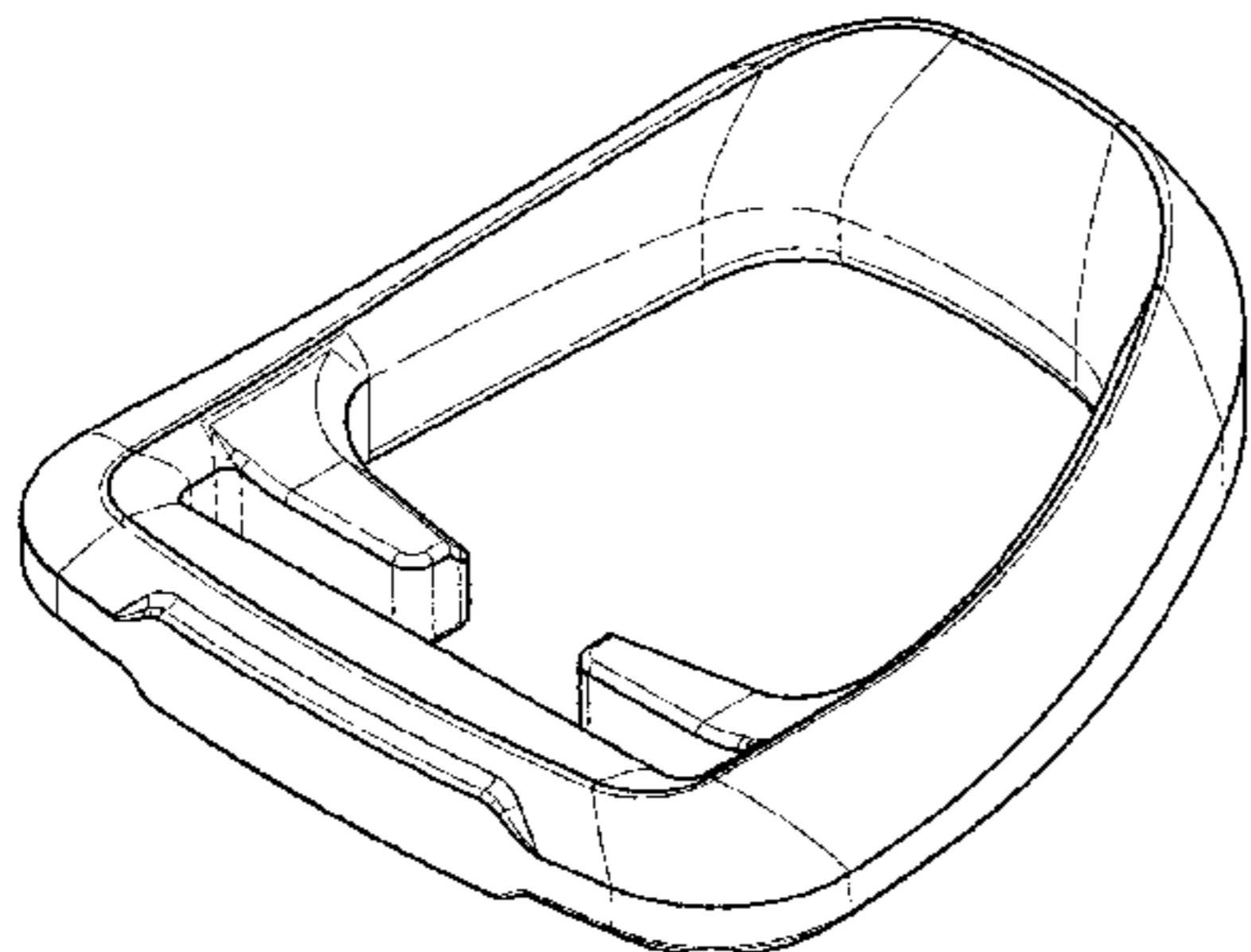
(57) **CLAIM**

The ornamental design for a D-ring, as shown and described.

DESCRIPTION

FIG. 1 is a front, top and right side perspective view of a D-ring, showing my new design;
 FIG. 2 is a top view thereof;
 FIG. 3 is a bottom view thereof;
 FIG. 4 is a left side view thereof;
 FIG. 5 is a right side view thereof;
 FIG. 6 is a front view thereof;
 FIG. 7 is a rear view thereof; and,
 FIG. 8 is a top, right side and front view thereof, showing a strap attached thereto.
 The strap shown in broken lines in FIG. 8 depicts environmental structure and form no part of the claimed design.

1 Claim, 4 Drawing Sheets



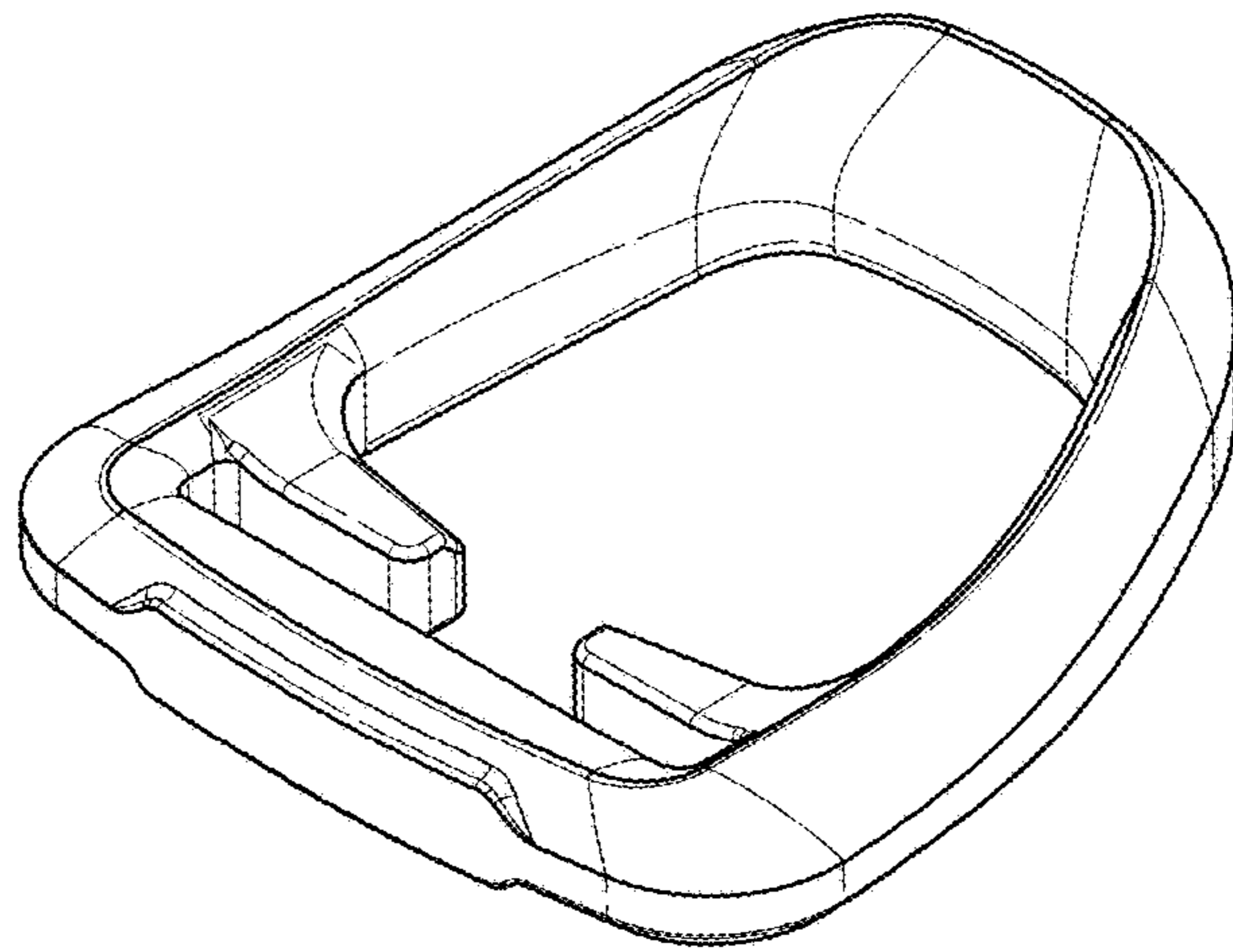


FIG. 1

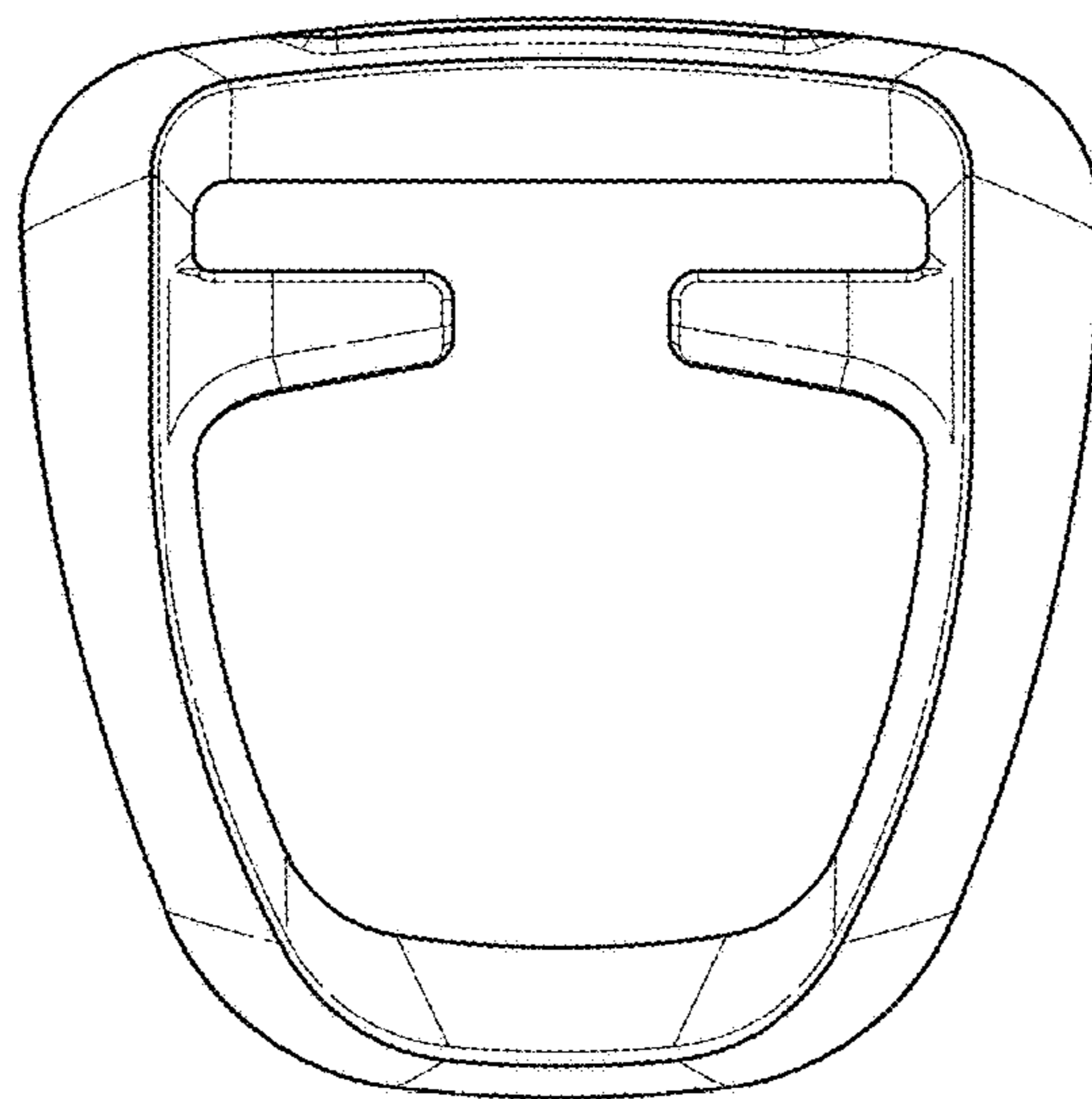


FIG. 2

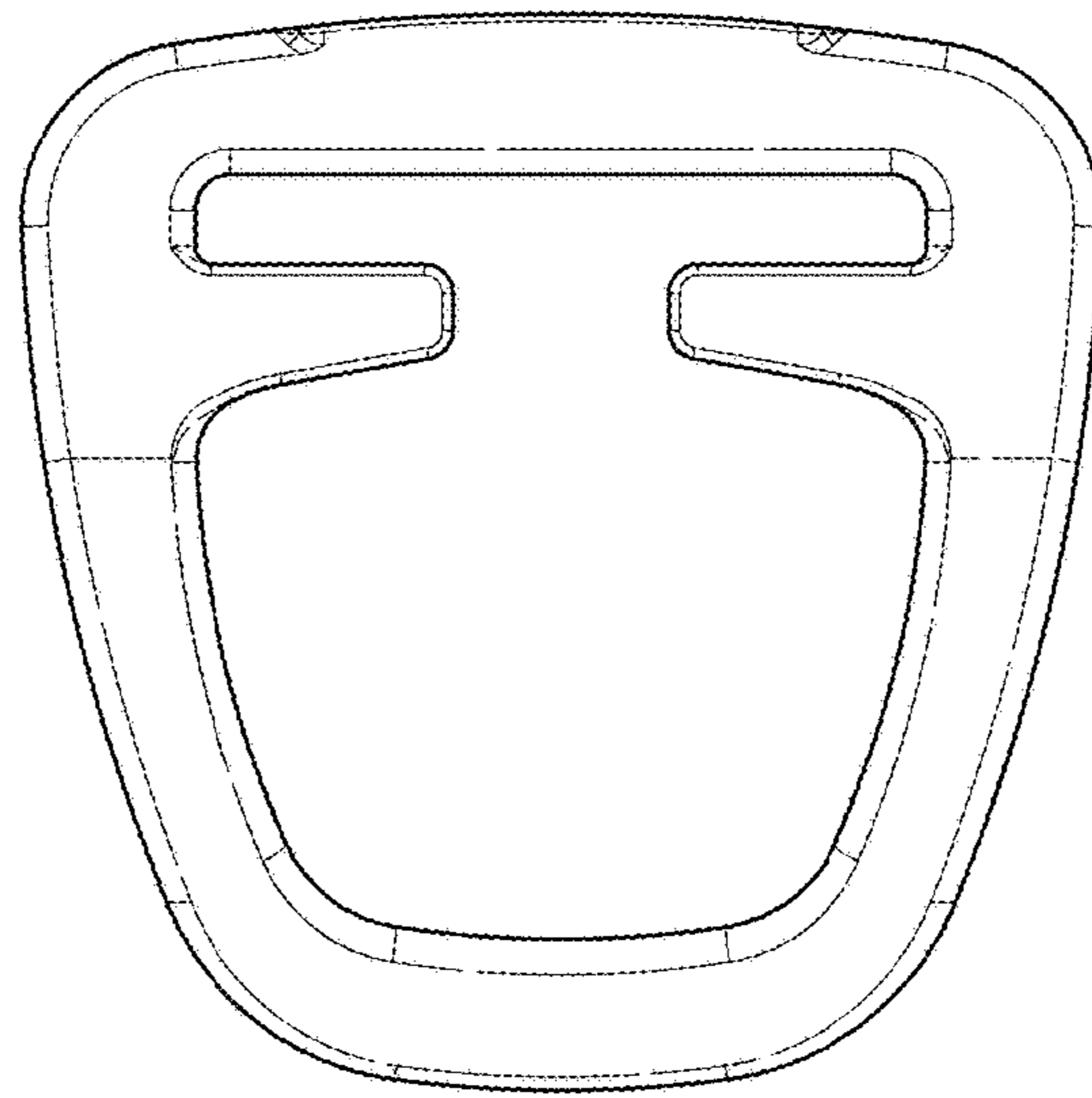


FIG. 3



FIG. 4



FIG. 5

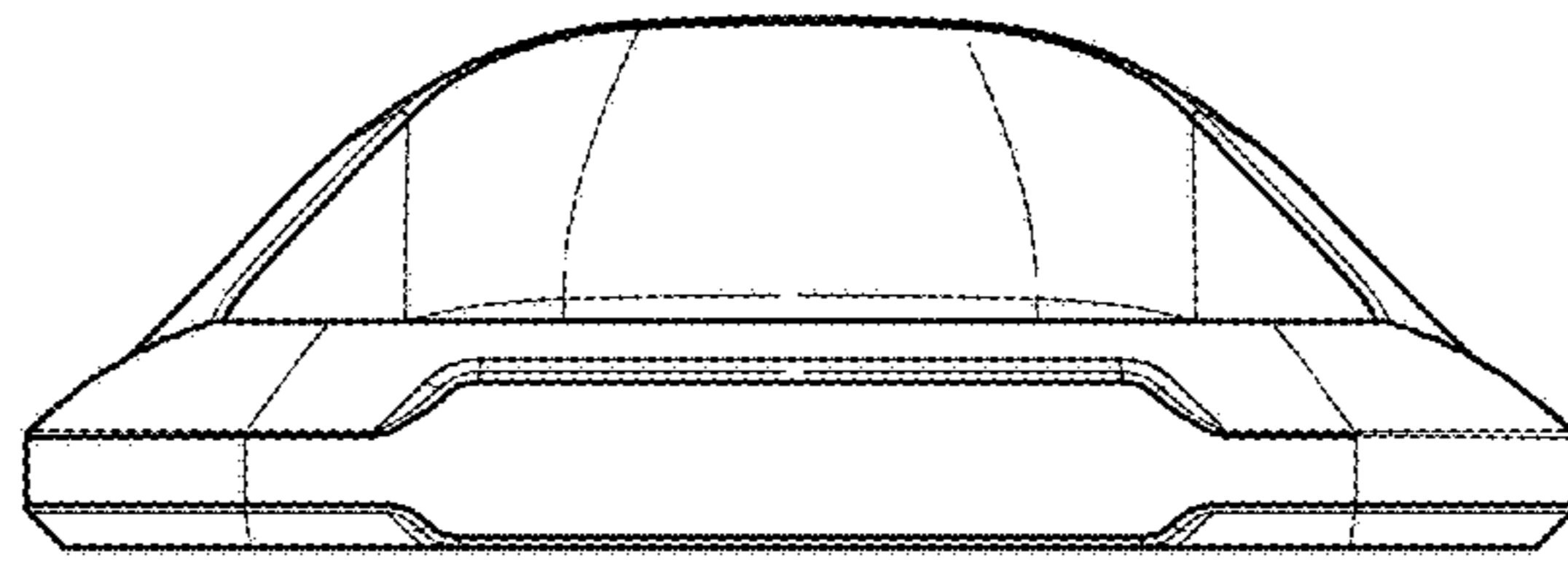


FIG. 6

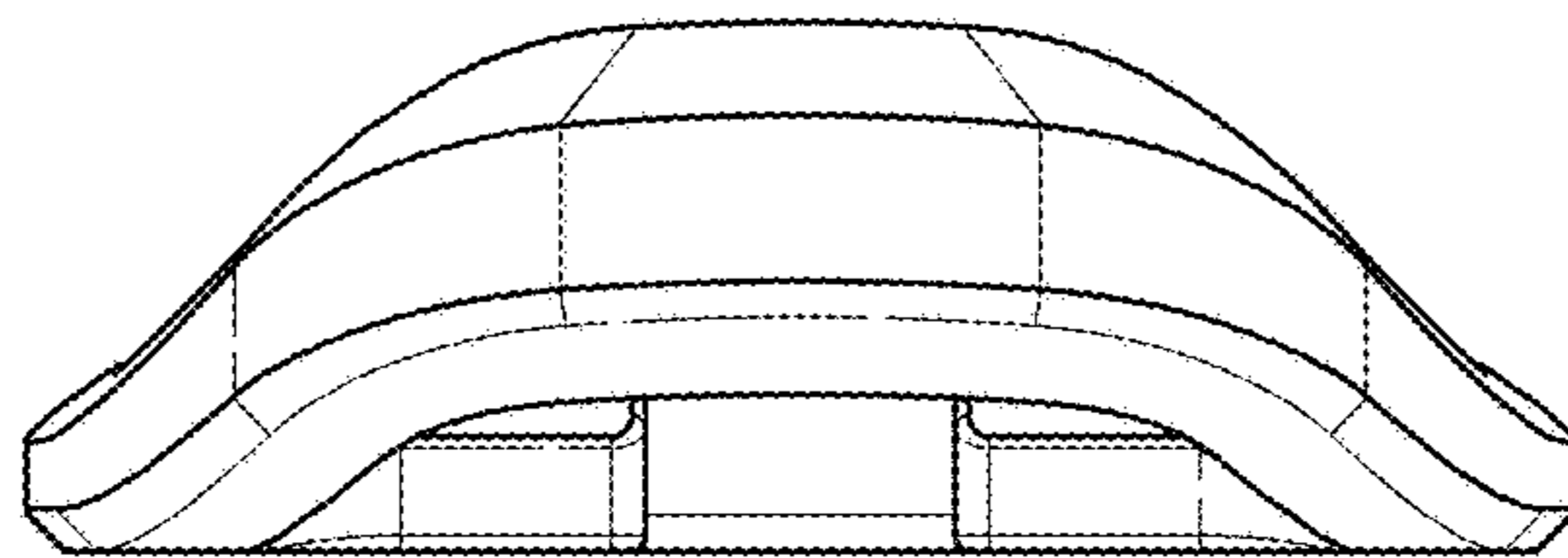


FIG. 7

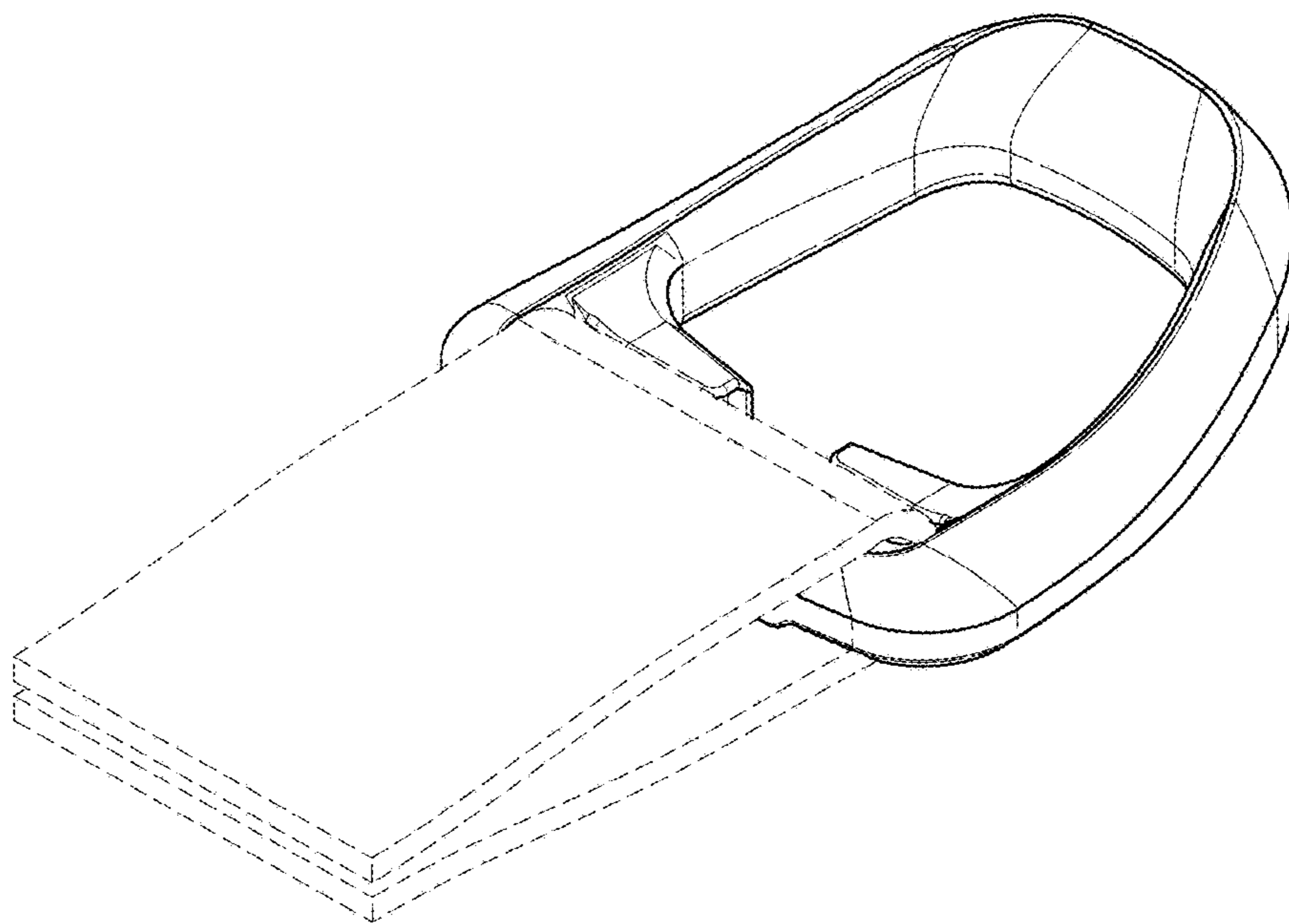


FIG. 8