



US00D848894S

(12) **United States Design Patent**
Yu

(10) **Patent No.:** **US D848,894 S**

(45) **Date of Patent:** **** May 21, 2019**

(54) **BAND**

(71) Applicant: **Lin Yu, Jiangxi (CN)**

(72) Inventor: **Lin Yu, Jiangxi (CN)**

(**) Term: **15 Years**

(21) Appl. No.: **29/617,629**

(22) Filed: **Sep. 15, 2017**

(51) **LOC (11) Cl.** **11-01**

(52) **U.S. Cl.**
USPC **D11/3**

(58) **Field of Classification Search**
USPC D10/31, 32, 38, 39, 46, 70; D11/1-25,
D11/86, 87; D14/344
CPC A44C 5/12; A44C 5/14; A44C 5/18; A44C
5/0053; A44C 5/0069; A44C 5/0076;
A44C 5/00; A44C 5/0007; A44C 5/0015;
A44C 5/0023; A44C 5/003; A44C
5/0061; A44C 5/147; A44C 5/185; A44C
5/2047; A44C 5/2052; G04B 37/00;
G04B 37/1486; A44B 11/006; A44B
11/24; A61B 5/681
See application file for complete search history.

(56) **References Cited**

U.S. PATENT DOCUMENTS

1,764,440 A * 6/1930 Gammell A44C 5/22
24/68 J
D287,705 S * 1/1987 Malamoud D11/25

D333,446 S * 2/1993 Butler D11/19
D346,132 S * 4/1994 McNally D11/101
D727,199 S * 4/2015 Akana D11/3
D731,346 S * 6/2015 Akana D11/3
D751,070 S * 3/2016 Akana D14/344
D766,752 S * 9/2016 Akana D10/30
D805,413 S * 12/2017 Chen D10/70
D814,943 S * 4/2018 White D10/32
2005/0210857 A1 * 9/2005 Carrola A44C 5/107
59/80

* cited by examiner

Primary Examiner — Kevin K Rudzinski

Assistant Examiner — Richard Kearney

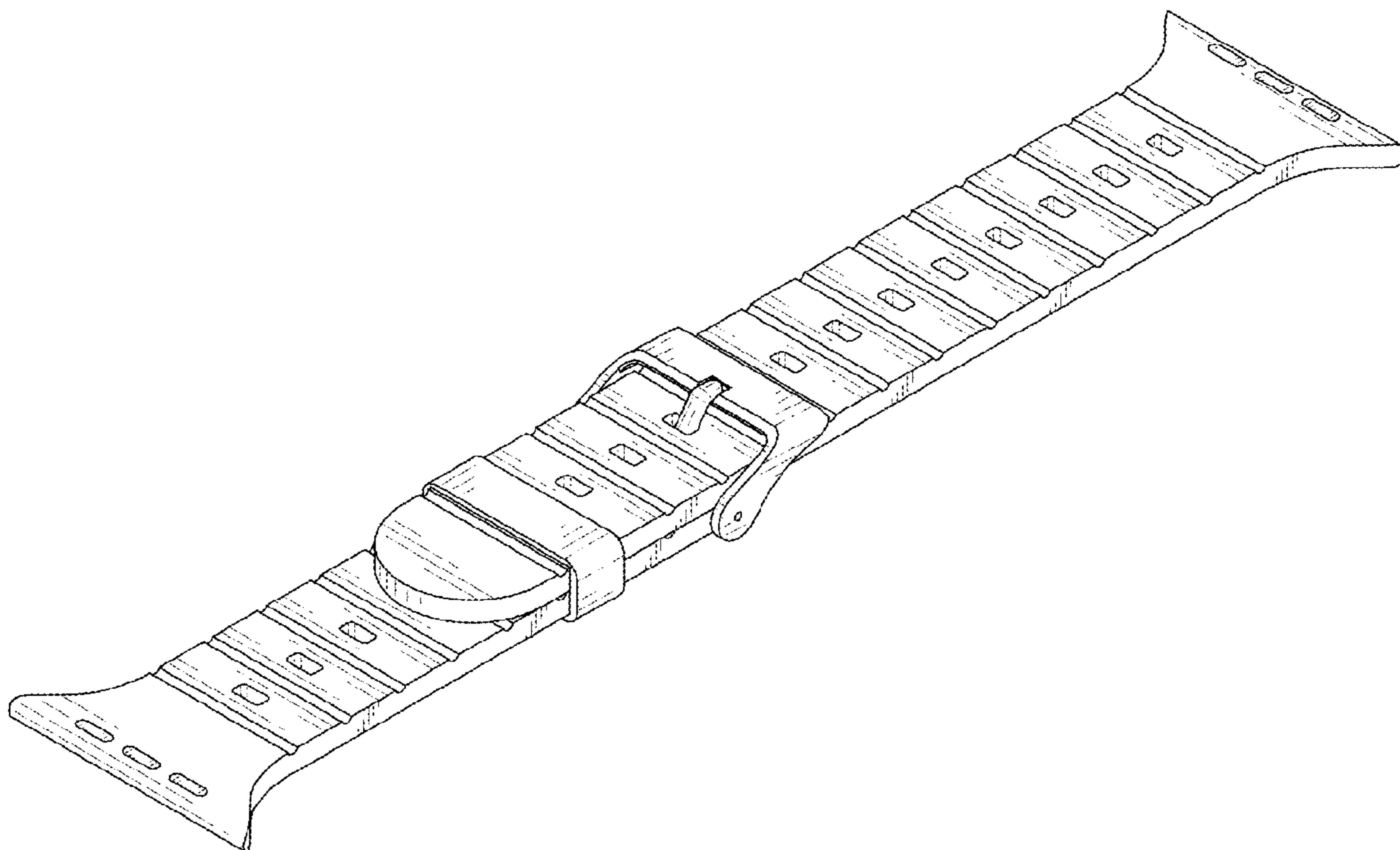
(57) **CLAIM**

The ornamental design for a band, as shown and described.

DESCRIPTION

FIG. 1 is a front elevational view of a band showing my new design;
FIG. 2 is a rear elevational view thereof;
FIG. 3 is a left side view thereof;
FIG. 4 is a right side view thereof;
FIG. 5 is a top plan view thereof;
FIG. 6 is a bottom plan view thereof;
FIG. 7 is a perspective view thereof;
FIG. 8 is another perspective view thereof; and,
FIG. 9 is a perspective view in the state of use.
The broken lines shown in FIG. 9 illustrate environmental structure that forms no part of the claimed design.

1 Claim, 3 Drawing Sheets



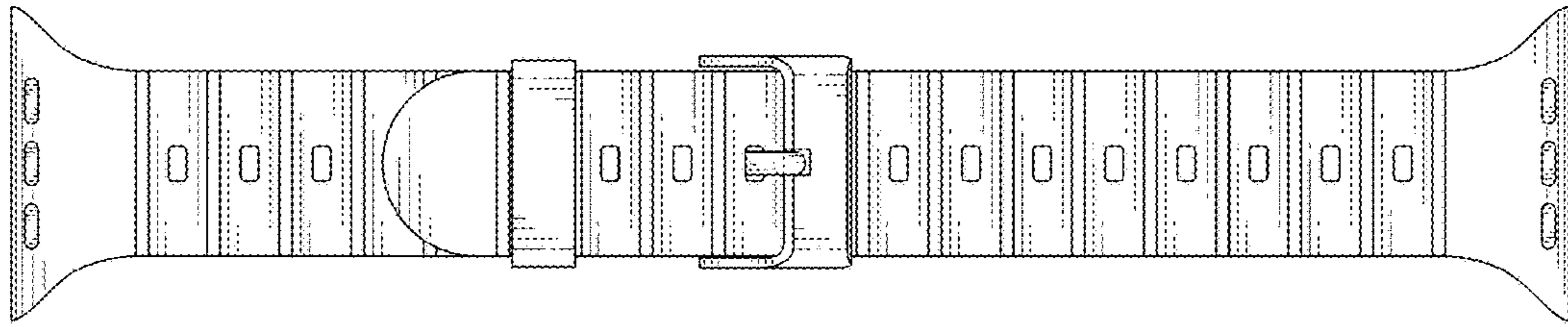


FIG. 1

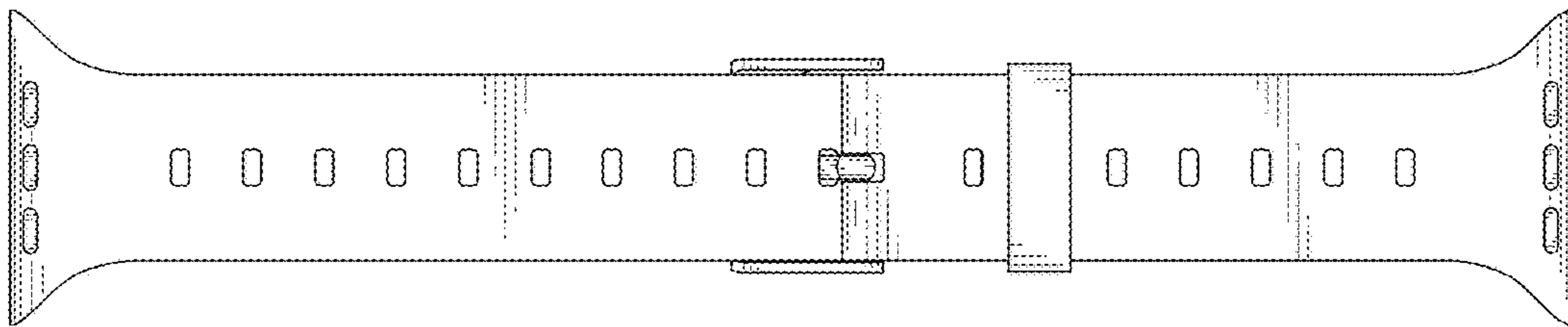


FIG. 2

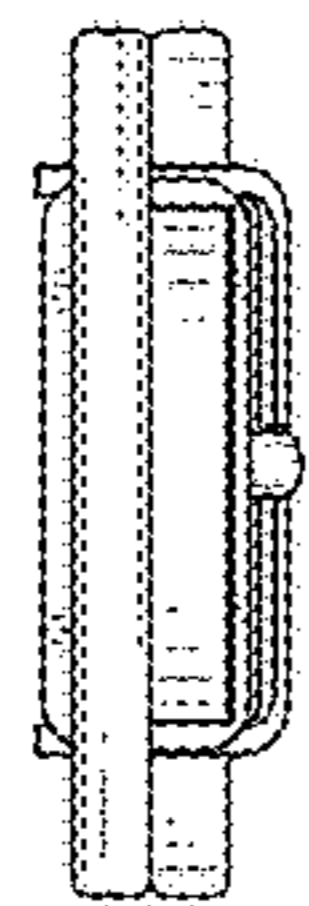


FIG. 3

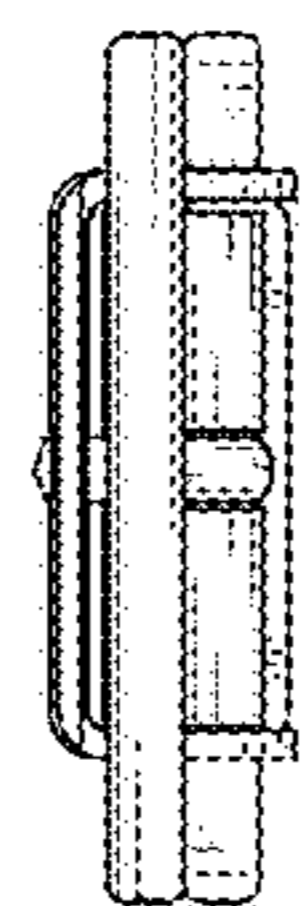


FIG. 4



FIG. 5



FIG. 6

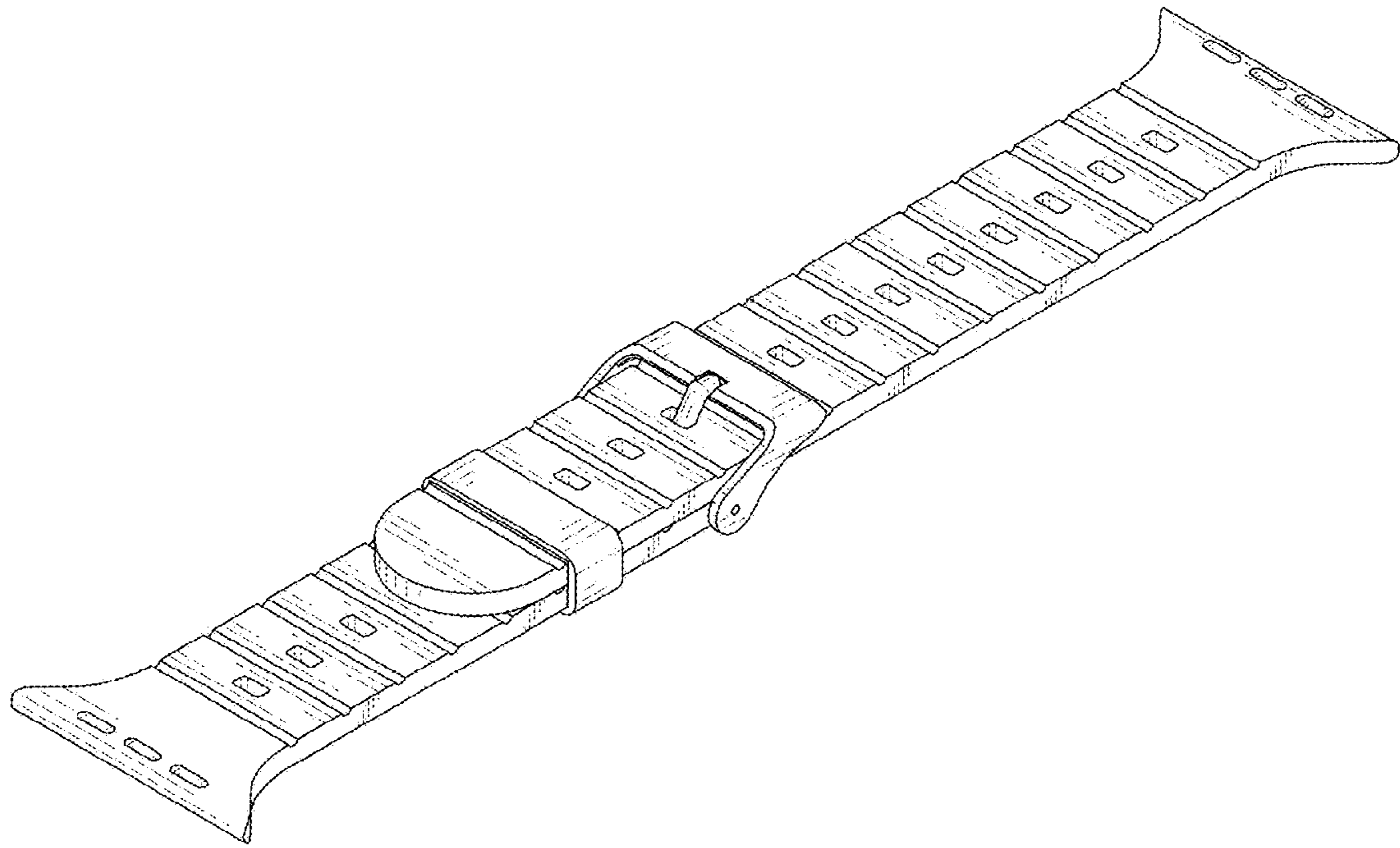


FIG. 7

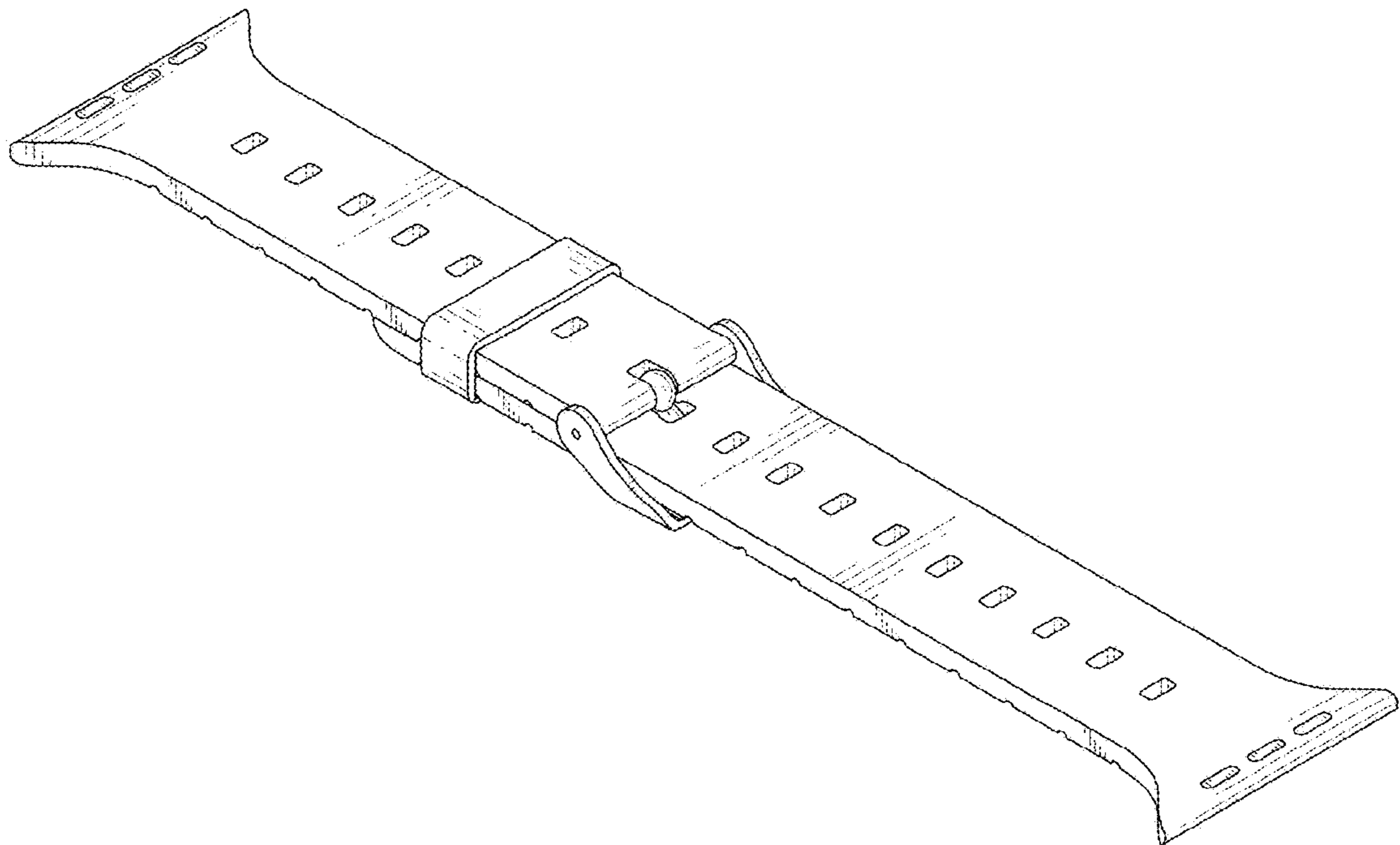


FIG. 8

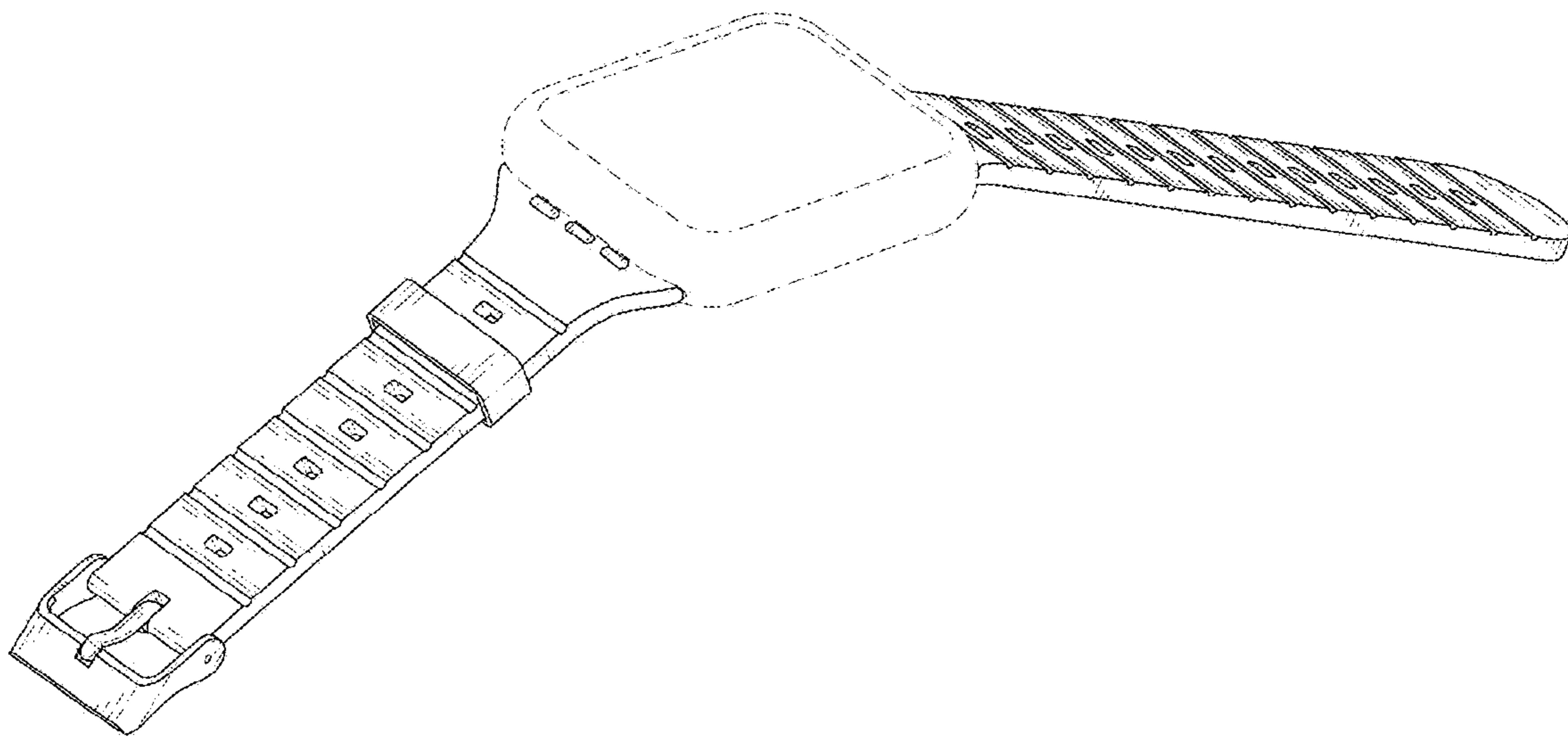


FIG. 9