



US00D848891S

(12) **United States Design Patent**
Paredes

(10) **Patent No.:** **US D848,891 S**

(45) **Date of Patent:** **** May 21, 2019**

(54) **DOORBELL**

(71) Applicant: **HeathCo LLC**, Bowling Green, KY
(US)

(72) Inventor: **Apollo Paul Paredes**, Livonia, MI (US)

(73) Assignee: **HeathCo LLC**, Bowling Green, KY
(US)

(**) Term: **15 Years**

(21) Appl. No.: **29/626,900**

(22) Filed: **Nov. 21, 2017**

(51) **LOC (11) Cl.** **10-05**

(52) **U.S. Cl.**
USPC **D10/118.2**

(58) **Field of Classification Search**

USPC D8/350, 343, 305, 353; D10/46, 104.1,
D10/106, 106.5, 106.6, 116.1, 118, 118.1,
D10/118.2, 119.1, 120, 121, 124, 126;
D13/158, 169, 171, 174; D14/159, 358;
D16/202, 203, 208, 209, 215; D25/147,
D25/103; D26/72, 85, 88; 200/310;
340/392.1, 384.7, 326, 539.14; 455/41.2;
H04M 11/02; H04M 11/025; G08B 3/00;
G08B 3/10; G08B 7/00; G08B 7/06

See application file for complete search history.

(56) **References Cited**

U.S. PATENT DOCUMENTS

D562,779 S * 2/2008 Lamoree D13/171
D747,228 S * 1/2016 Fiedler D10/104.1

(Continued)

OTHER PUBLICATIONS

Available Nov. 25, 2018, [online], [site visited Nov. 25, 2018].
Available from Internet, <URL:https://www.hardwareworld.com/
p5gdpqk/Video-Doorbe (Year: 2018).*

(Continued)

Primary Examiner — Cathron C Brooks

Assistant Examiner — Katrina N Gonzalez

(74) *Attorney, Agent, or Firm* — Middleton Reutlinger

(57) **CLAIM**

The ornamental design for a doorbell, as shown and described.

DESCRIPTION

FIG. 1 is a higher perspective view of a first embodiment of a doorbell showing the new design;

FIG. 2 is a rear perspective view of the doorbell design of FIG. 1;

FIG. 3 is a front view of the doorbell design of FIG. 1;

FIG. 4 is a rear view of the doorbell design of FIG. 1;

FIG. 5 is a left side view of the doorbell design of FIG. 1;

FIG. 6 is a right side view of the doorbell design of FIG. 1;

FIG. 7 is a top view of the doorbell design of FIG. 1; and,

FIG. 8 is a bottom view of the doorbell design of FIG. 1.

FIG. 9 is a higher perspective view of a second embodiment of a doorbell showing the new design;

FIG. 10 is a rear perspective view of the doorbell design of FIG. 9;

FIG. 11 is a front view of the doorbell design of FIG. 9;

FIG. 12 is a rear view of the doorbell design of FIG. 9;

FIG. 13 is a left side view of the doorbell design of FIG. 9;

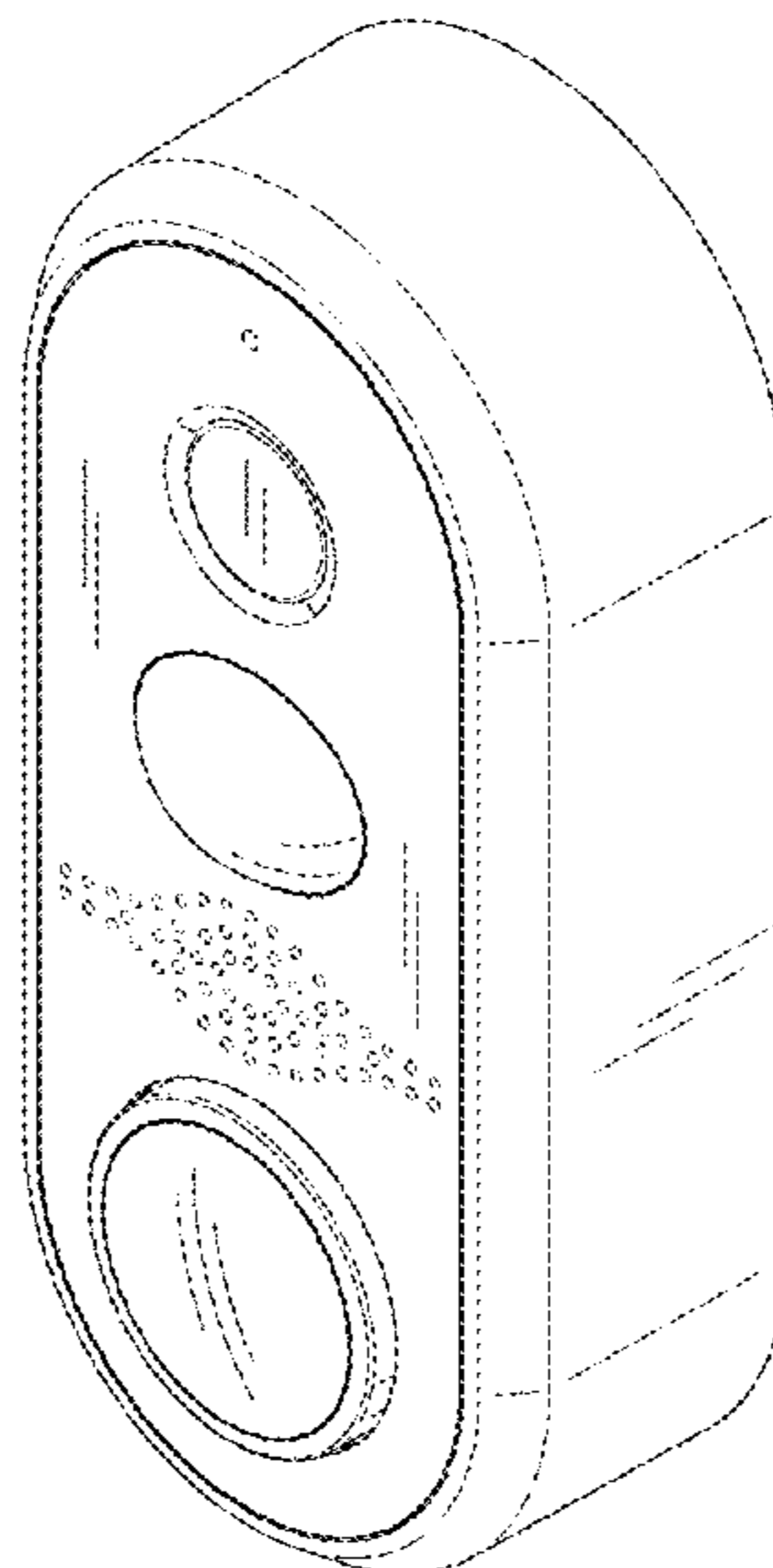
FIG. 14 is a right side view of the doorbell design of FIG. 9;

FIG. 15 is a top view of the doorbell design of FIG. 9; and,

FIG. 16 is a bottom view of the doorbell design of FIG. 9.

The broken lines illustrate portions of the doorbell that form no part of the claimed design.

1 Claim, 14 Drawing Sheets



(56)

References Cited

U.S. PATENT DOCUMENTS

D755,605 S * 5/2016 Kraus D8/331
D764,461 S * 8/2016 Romanoff D14/358
D764,462 S * 8/2016 Romanoff D14/358
D764,463 S * 8/2016 Dwivedula D14/358
D764,958 S * 8/2016 Scalisi D10/118.2
D767,568 S * 9/2016 McWilliam D14/358
D828,201 S * 9/2018 Jeong D10/118.2
D830,872 S * 10/2018 Jacob D10/118.2

OTHER PUBLICATIONS

Available Oct. 31, 2017, [online], [site visited Nov. 25, 2018].
Available from Internet, <URL:[https://fccid.io/BJ4-WLTRX3012/
User-Manual/User-Manual-3678768](https://fccid.io/BJ4-WLTRX3012/User-Manual/User-Manual-3678768)> (Year: 2017).*

Available Jun. 17, 2018, [online], [site visited Nov. 25, 2018].
Available from Internet, <URL:[https://www.lowes.com/pd/Heath-
Zenith-Notifi-Elite-Video-Doorbell1/1000460037](https://www.lowes.com/pd/Heath-Zenith-Notifi-Elite-Video-Doorbell1/1000460037)> (Year: 2018).*

Available May 10, 2016, [online], [site visited Jan. 18, 2019].
Available from Internet, <URL:[https://www.amazon.com/Ring-
Doorbell-existing-doorbell-required/dp/B01DM6BDA4/ref=cm_cr_
arp_d_product_top?ie=UTF8](https://www.amazon.com/Ring-Doorbell-existing-doorbell-required/dp/B01DM6BDA4/ref=cm_cr_arp_d_product_top?ie=UTF8)> (Year: 2016).*

* cited by examiner

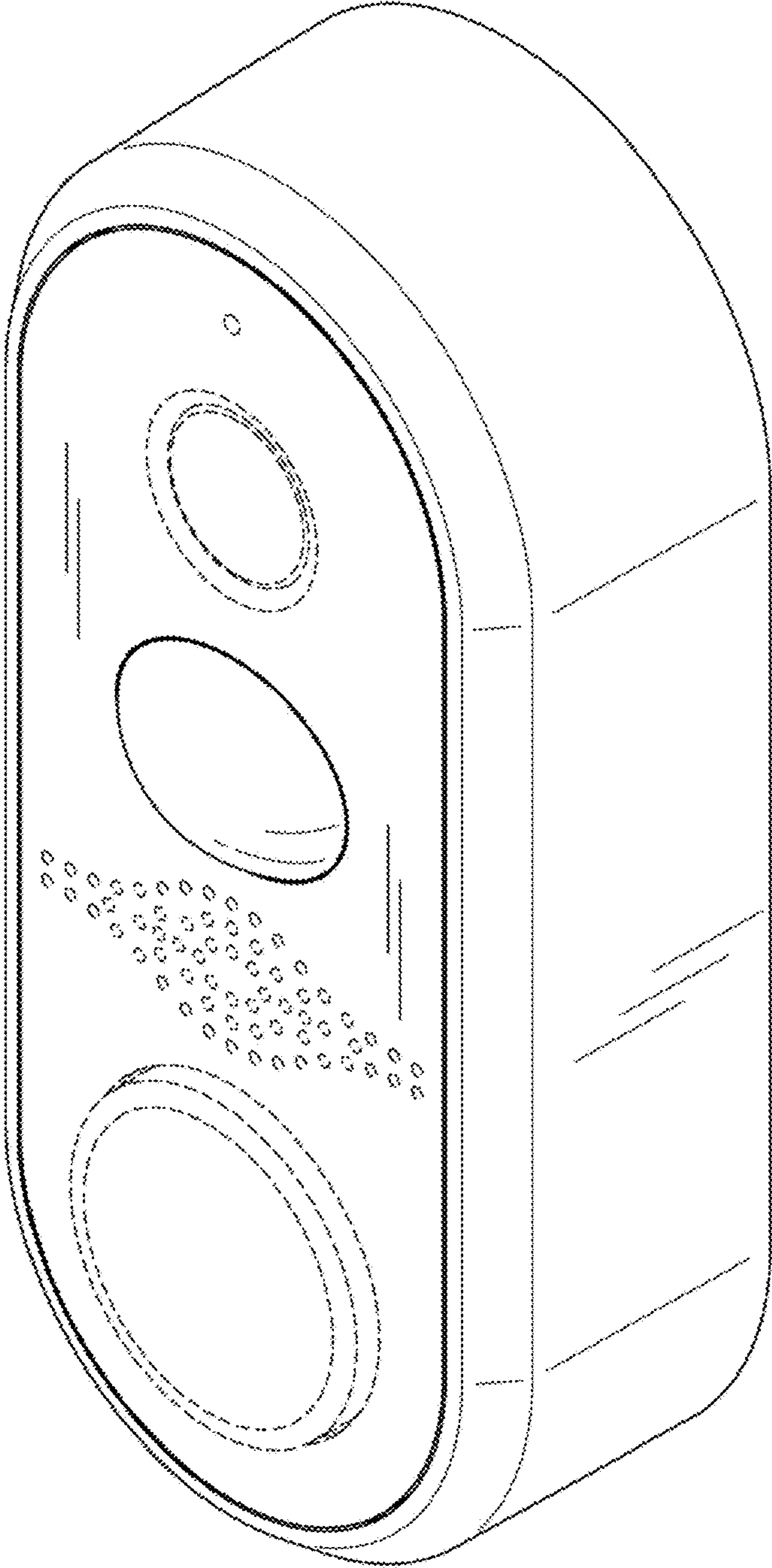


FIG. 1

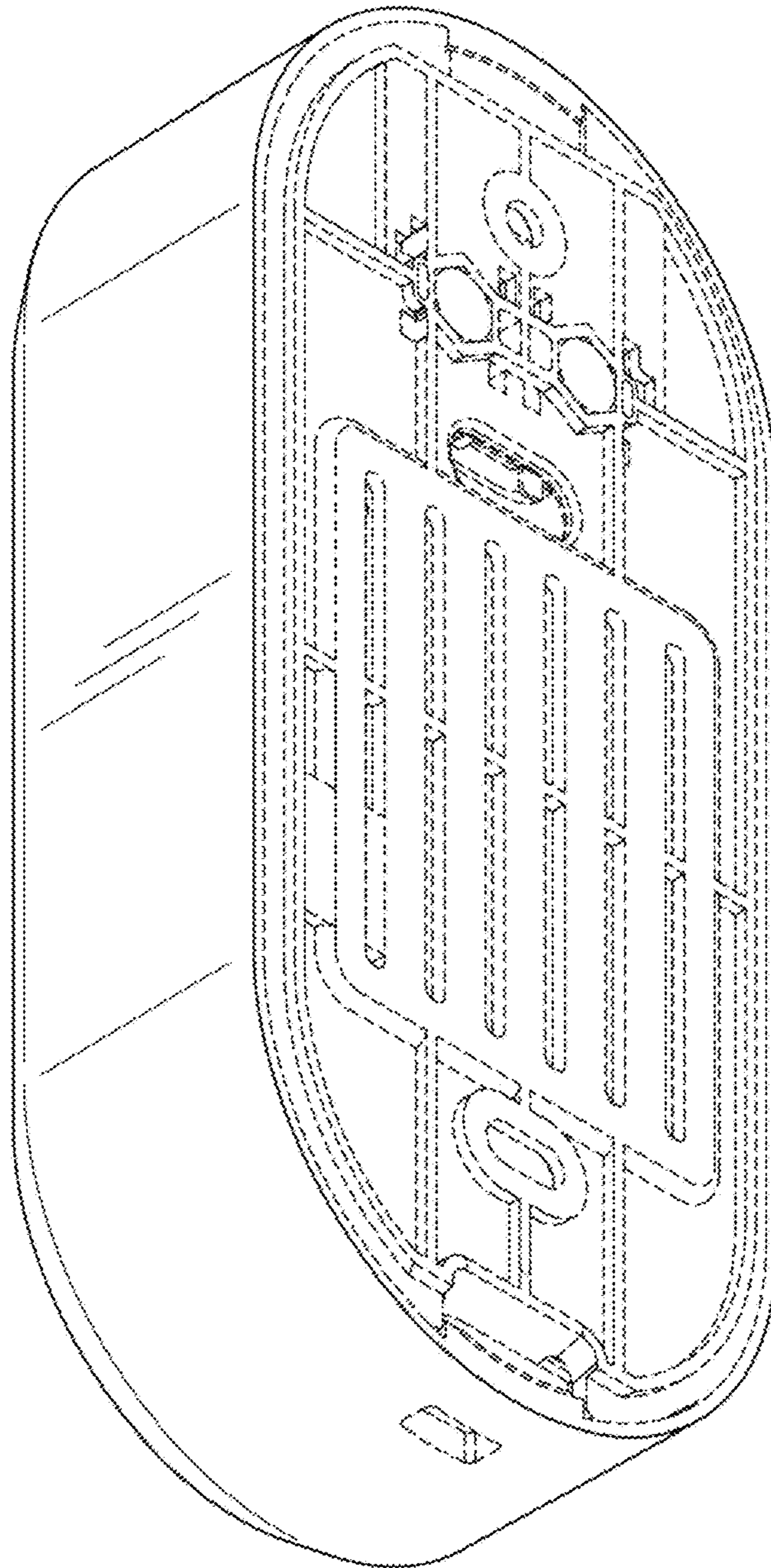


FIG. 2

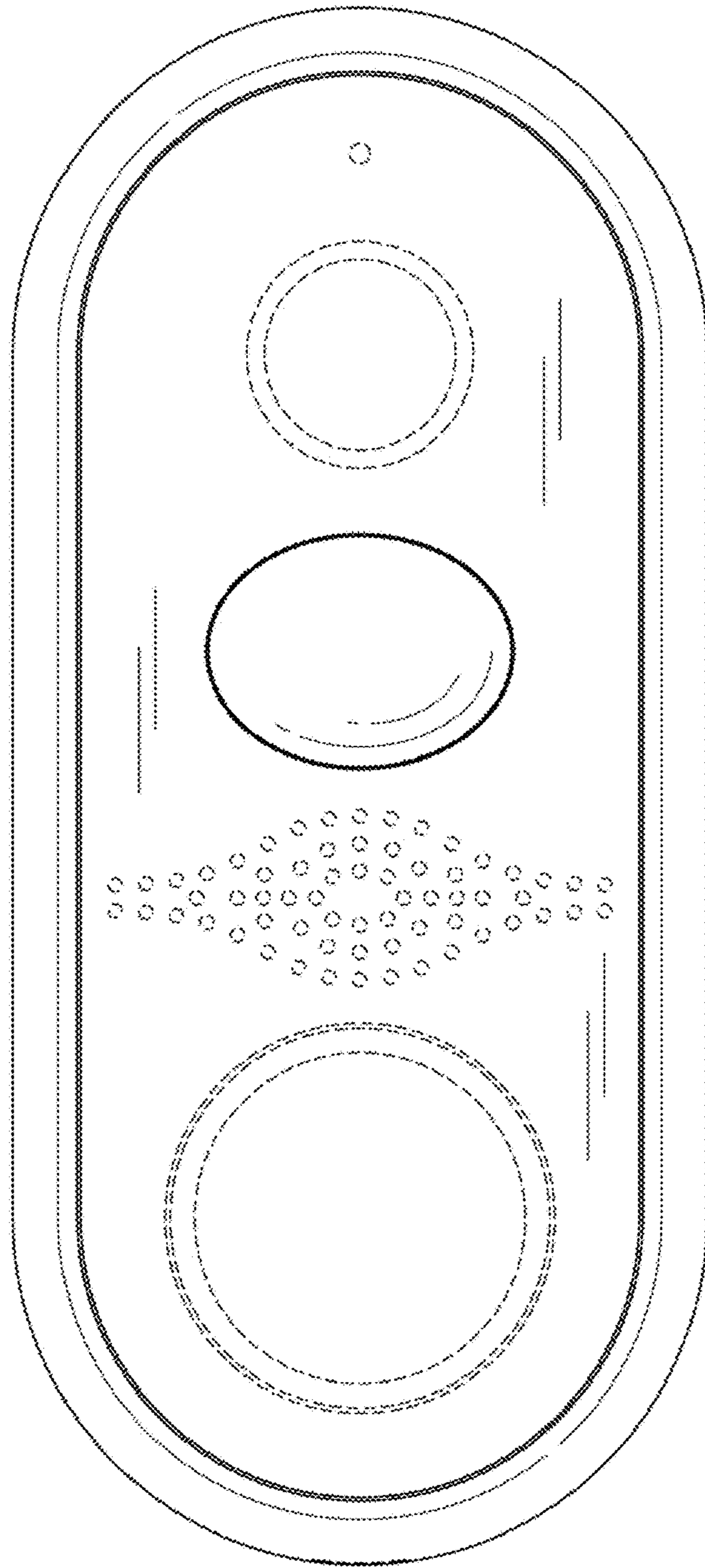


FIG. 3

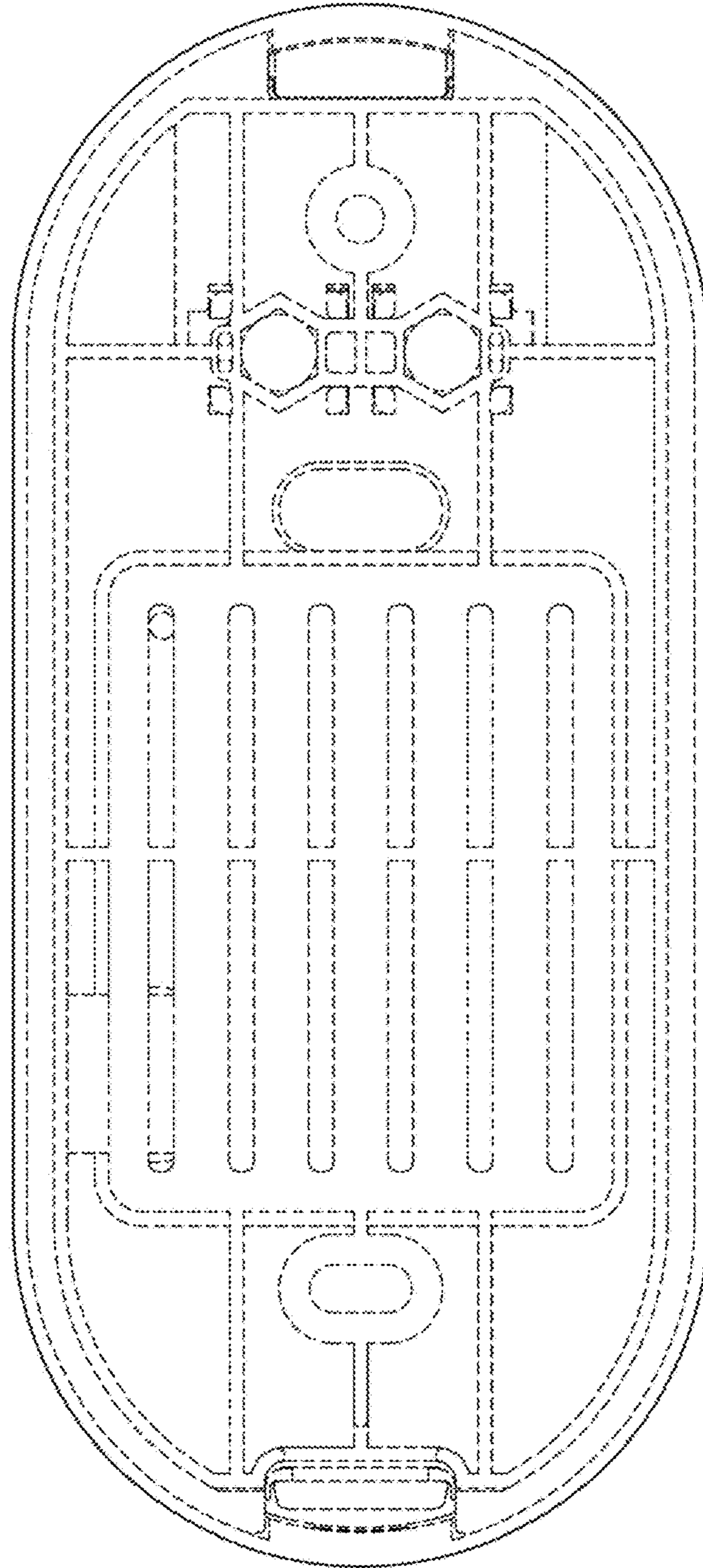


FIG. 4

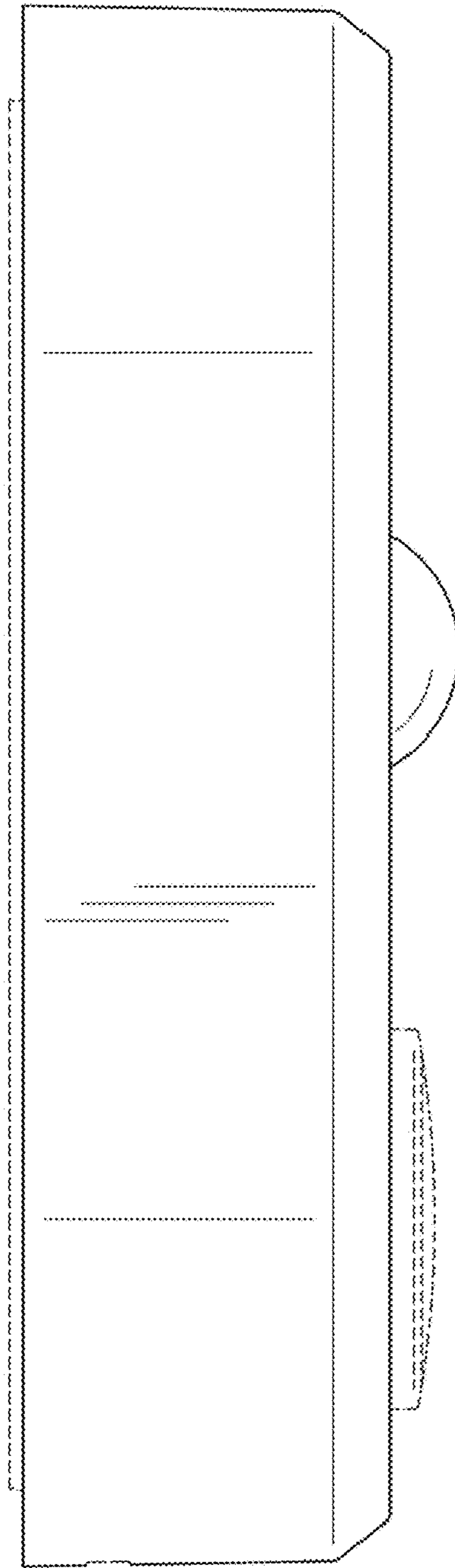


FIG. 5

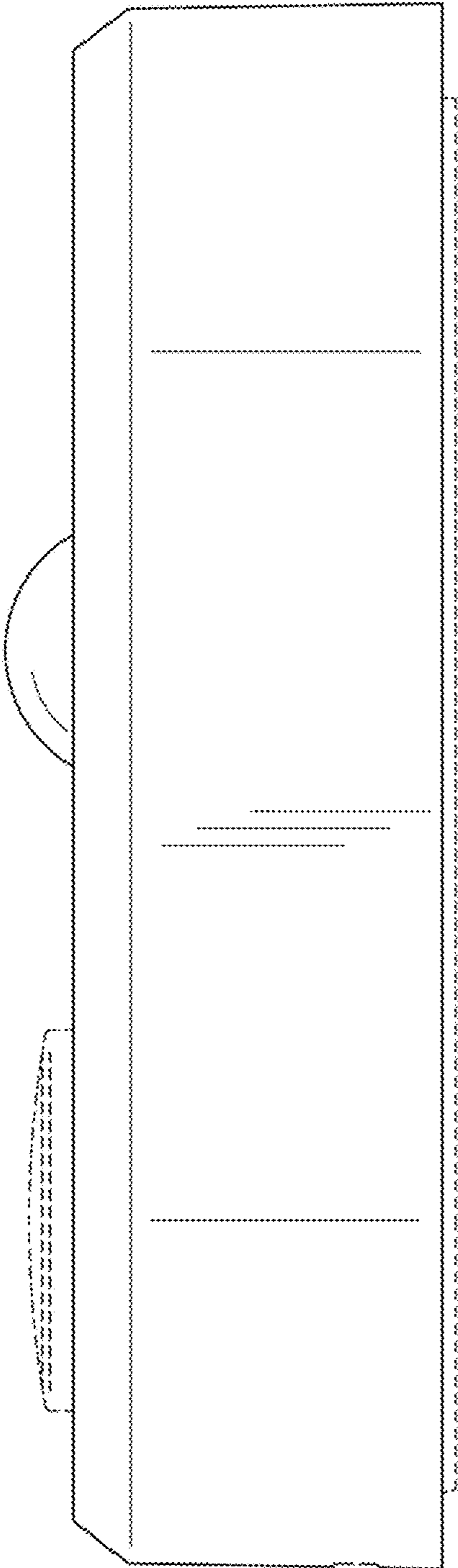


FIG. 6

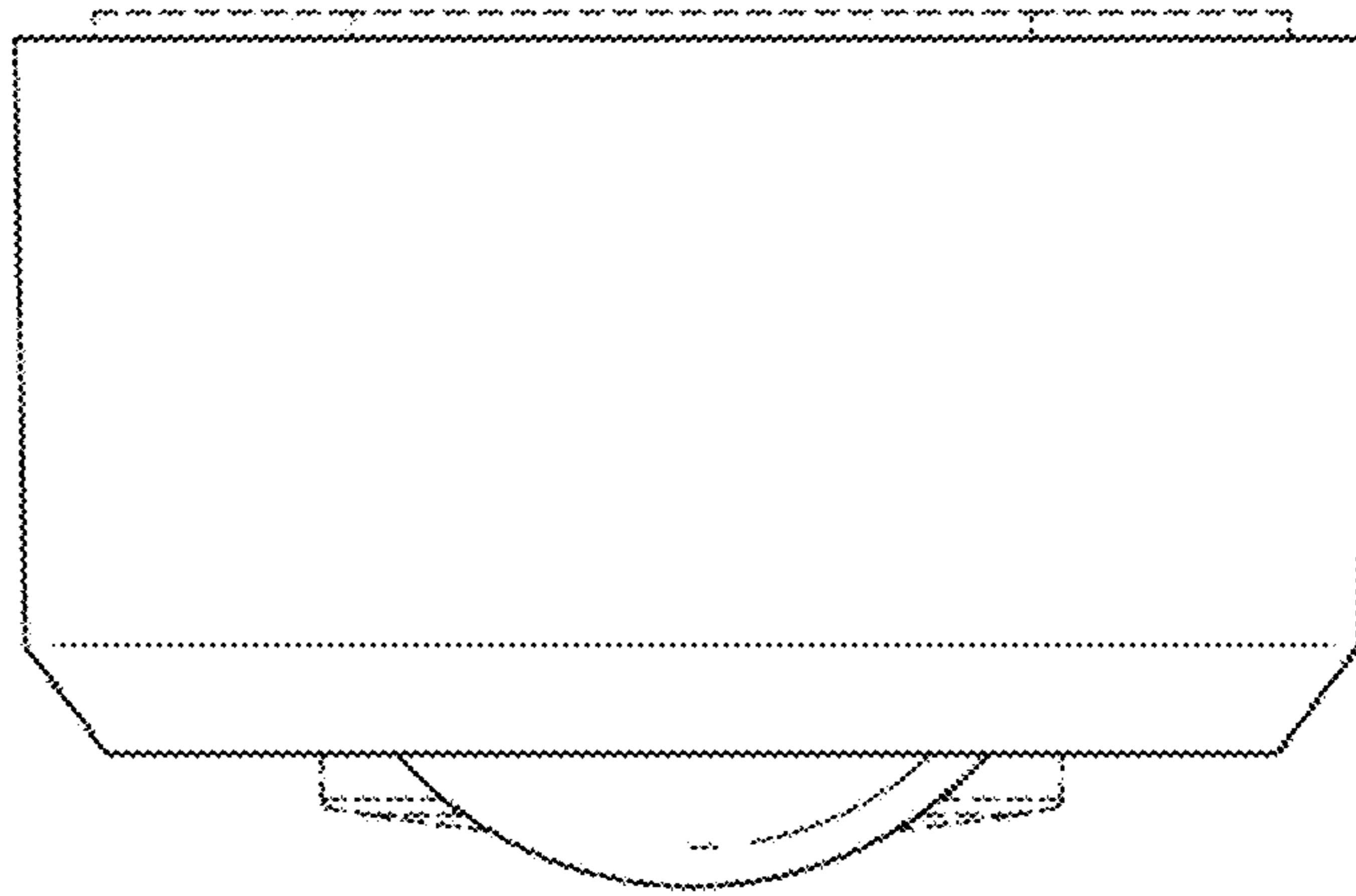


FIG. 7

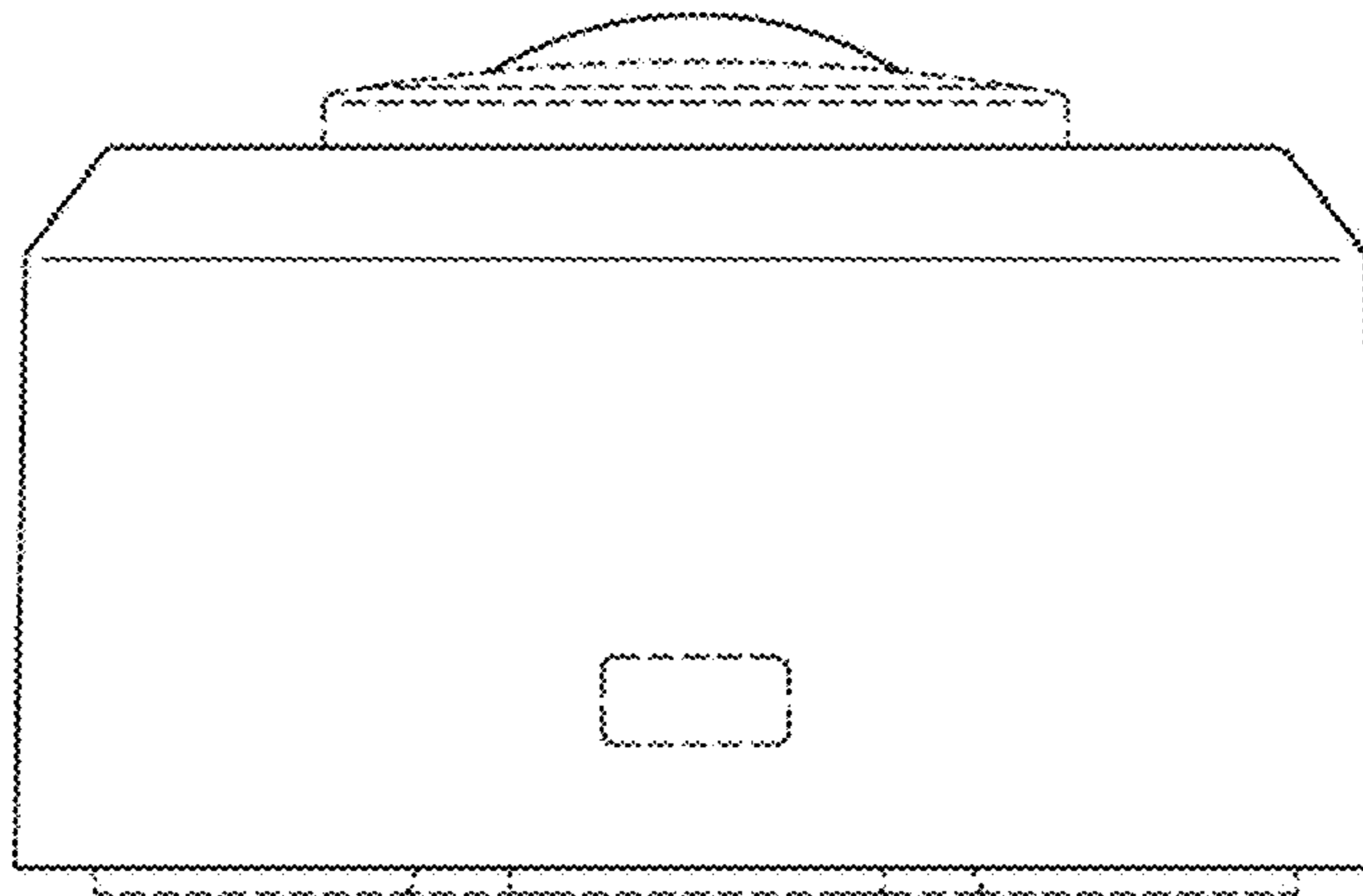


FIG. 8

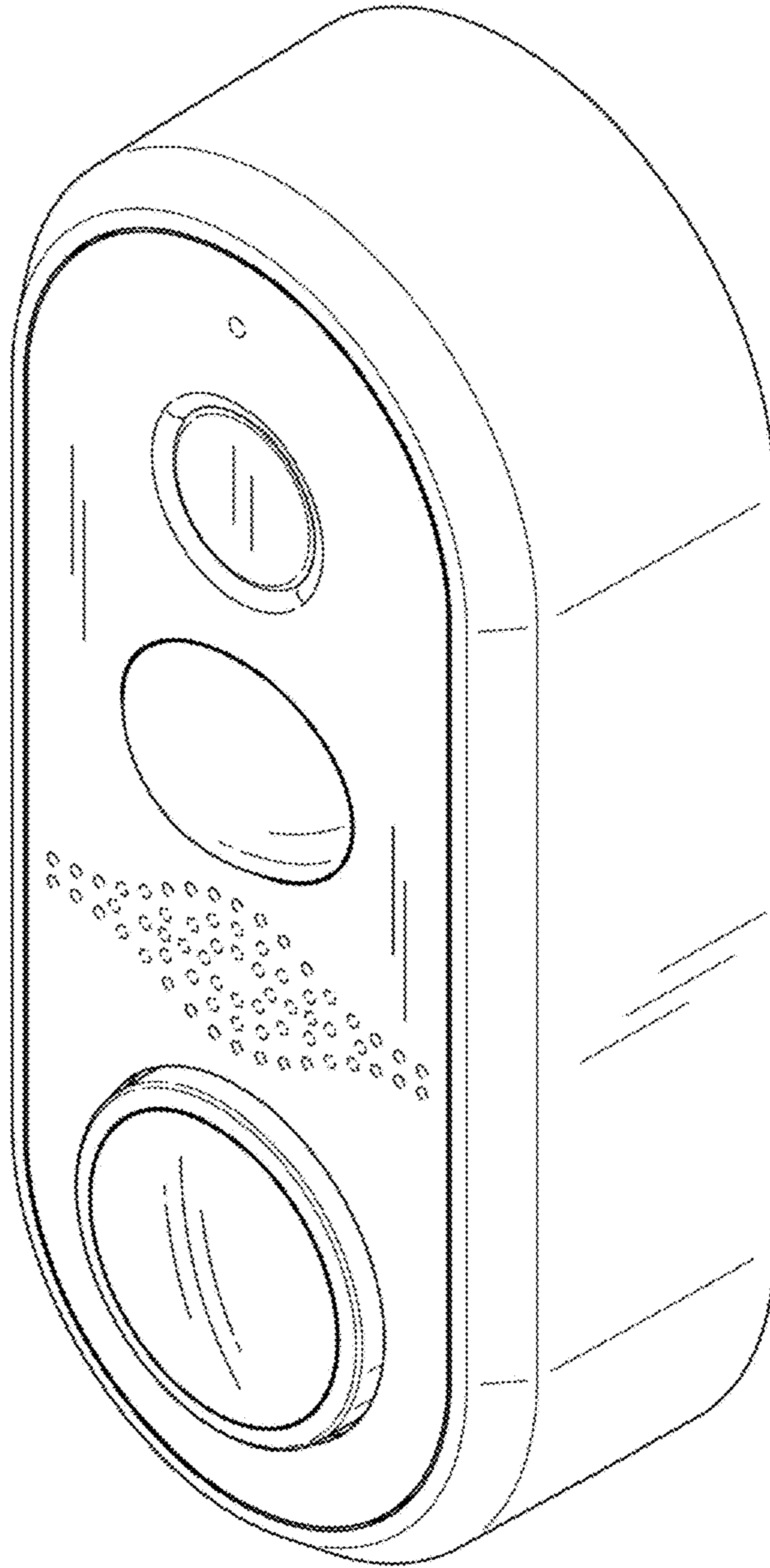


FIG. 9

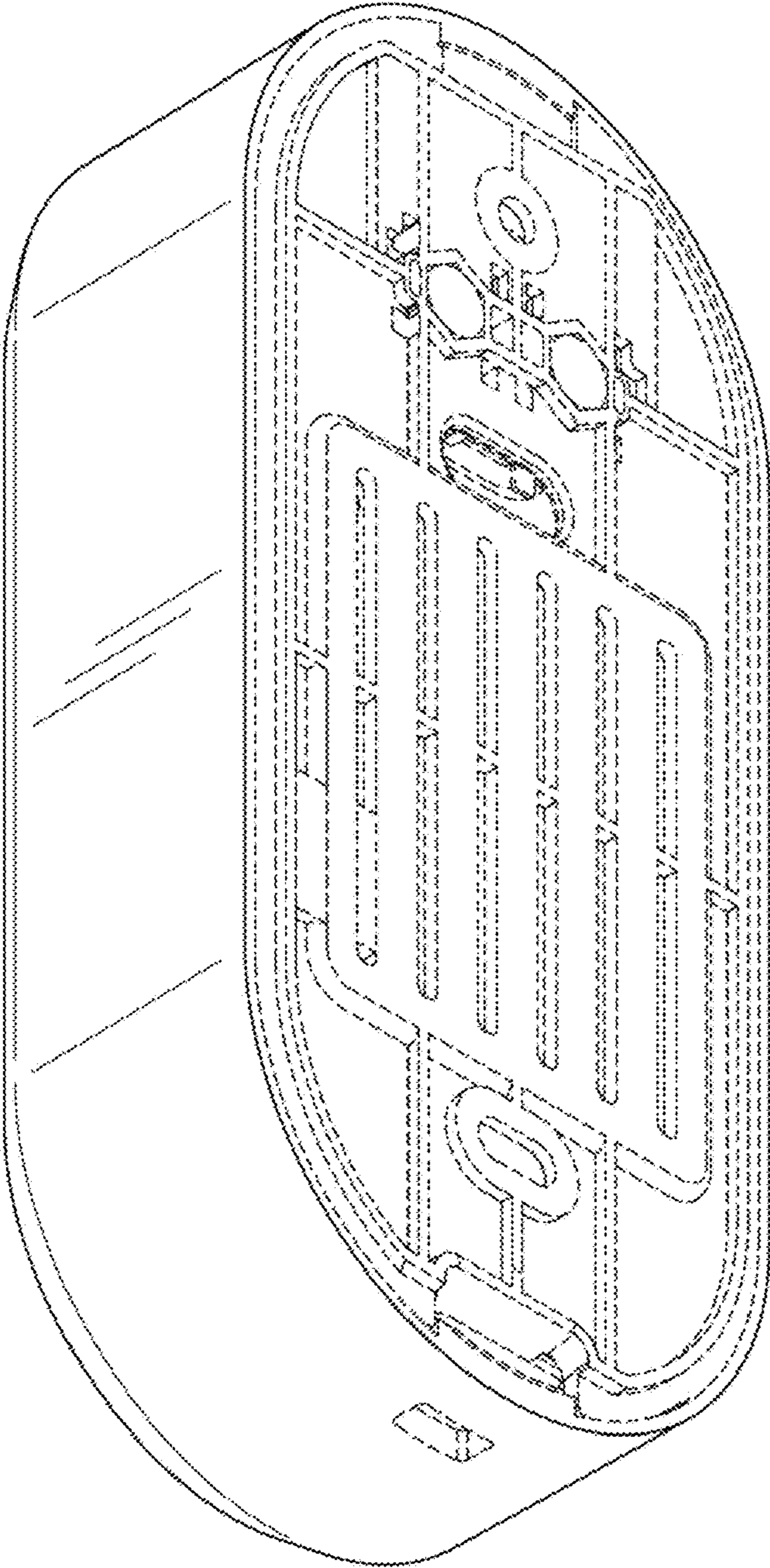


FIG. 10

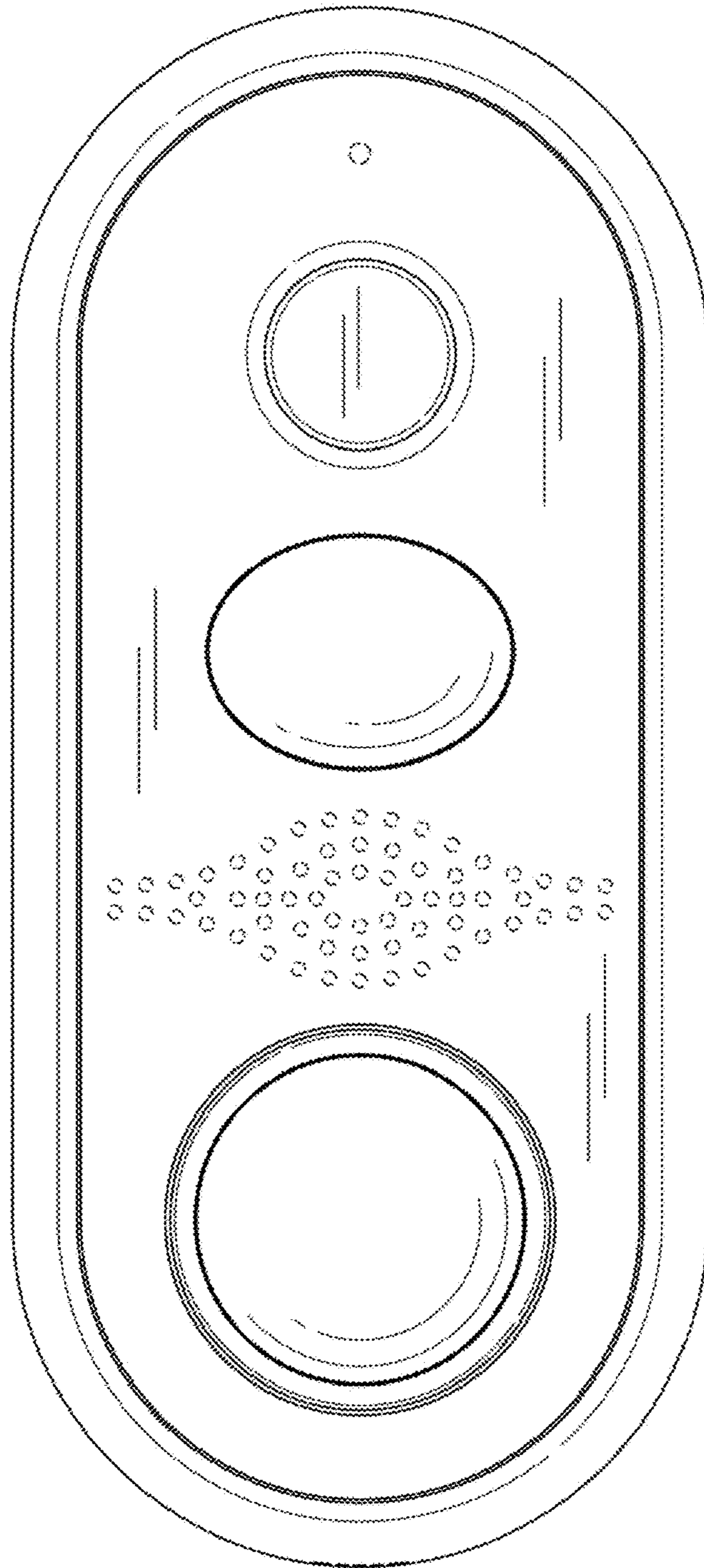


FIG. 11

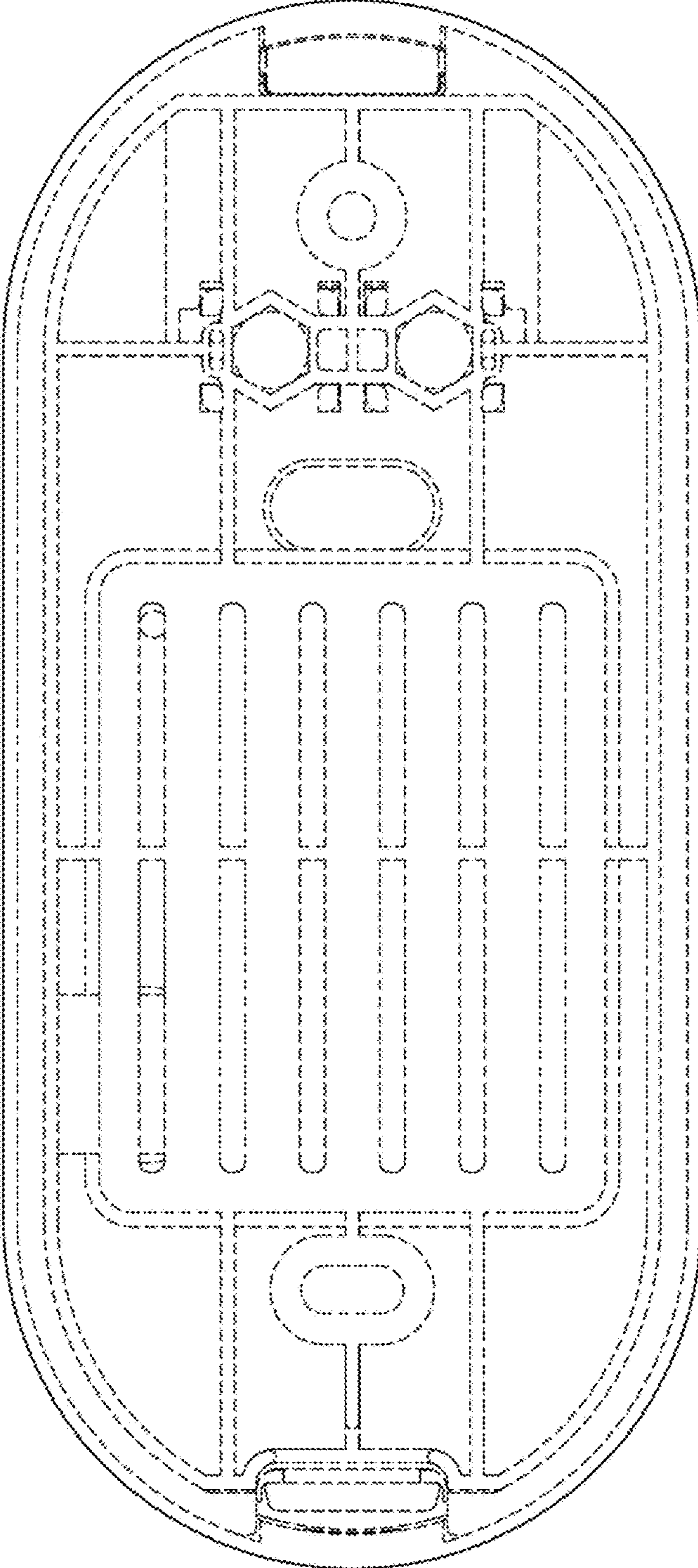


FIG. 12

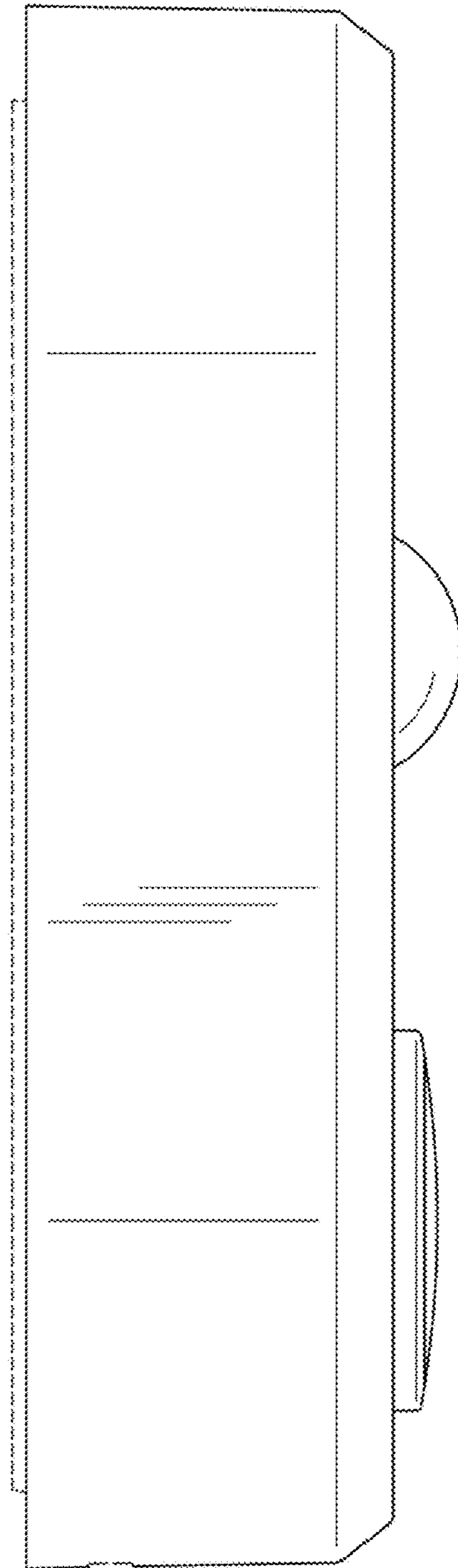


FIG. 13

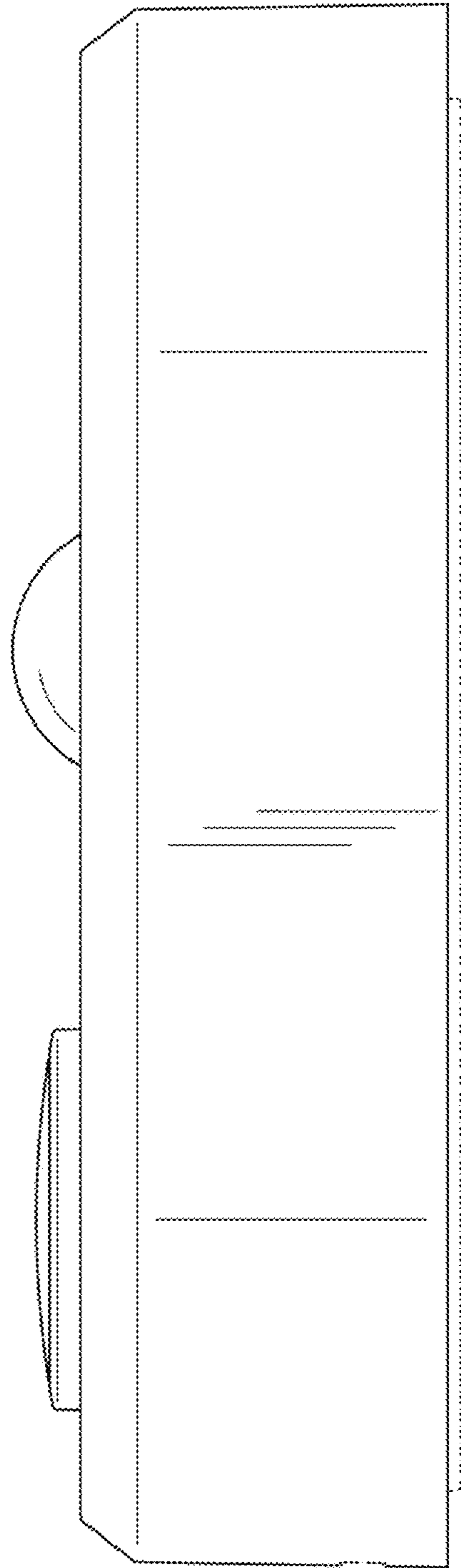


FIG. 14

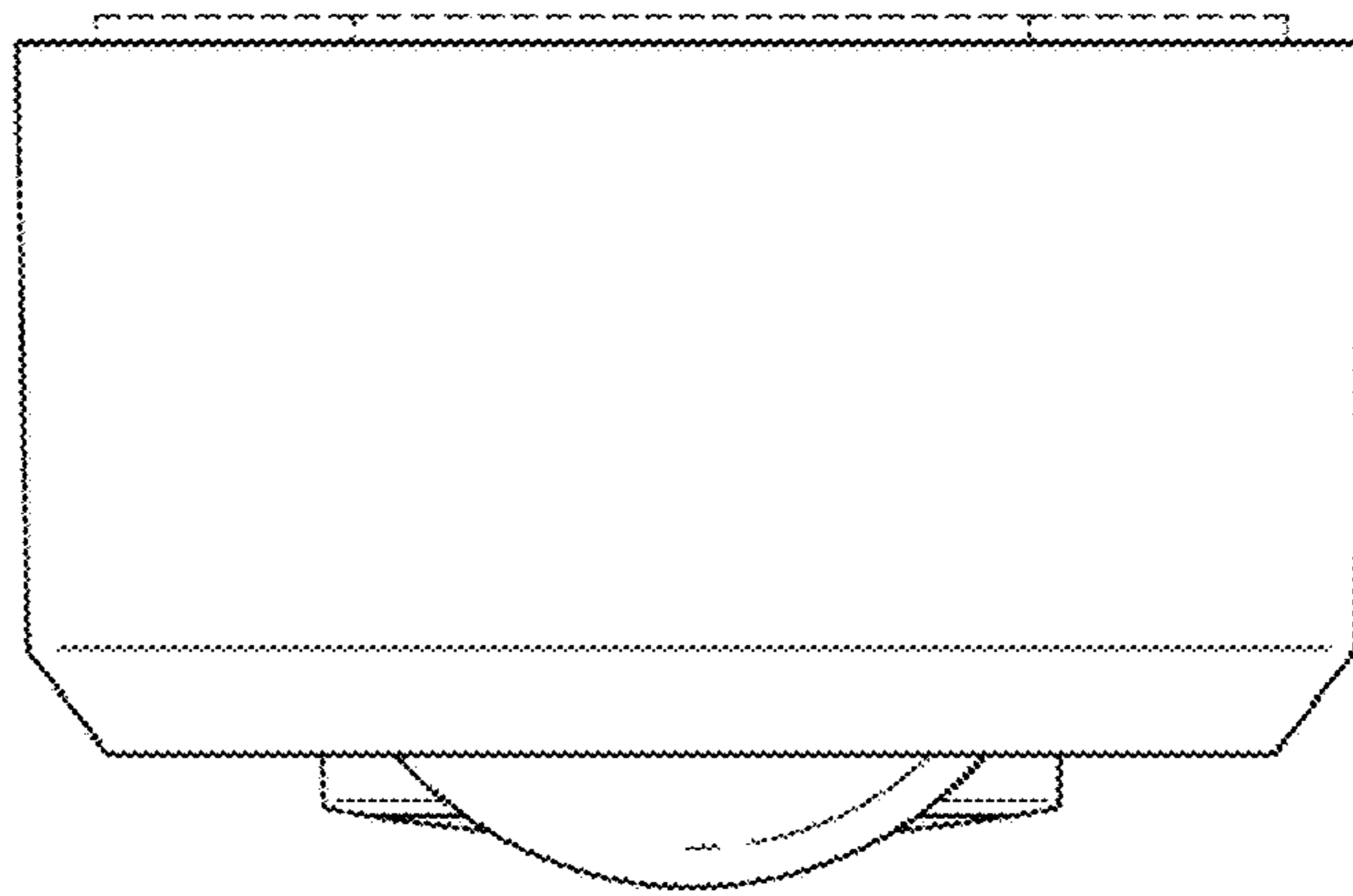


FIG. 15

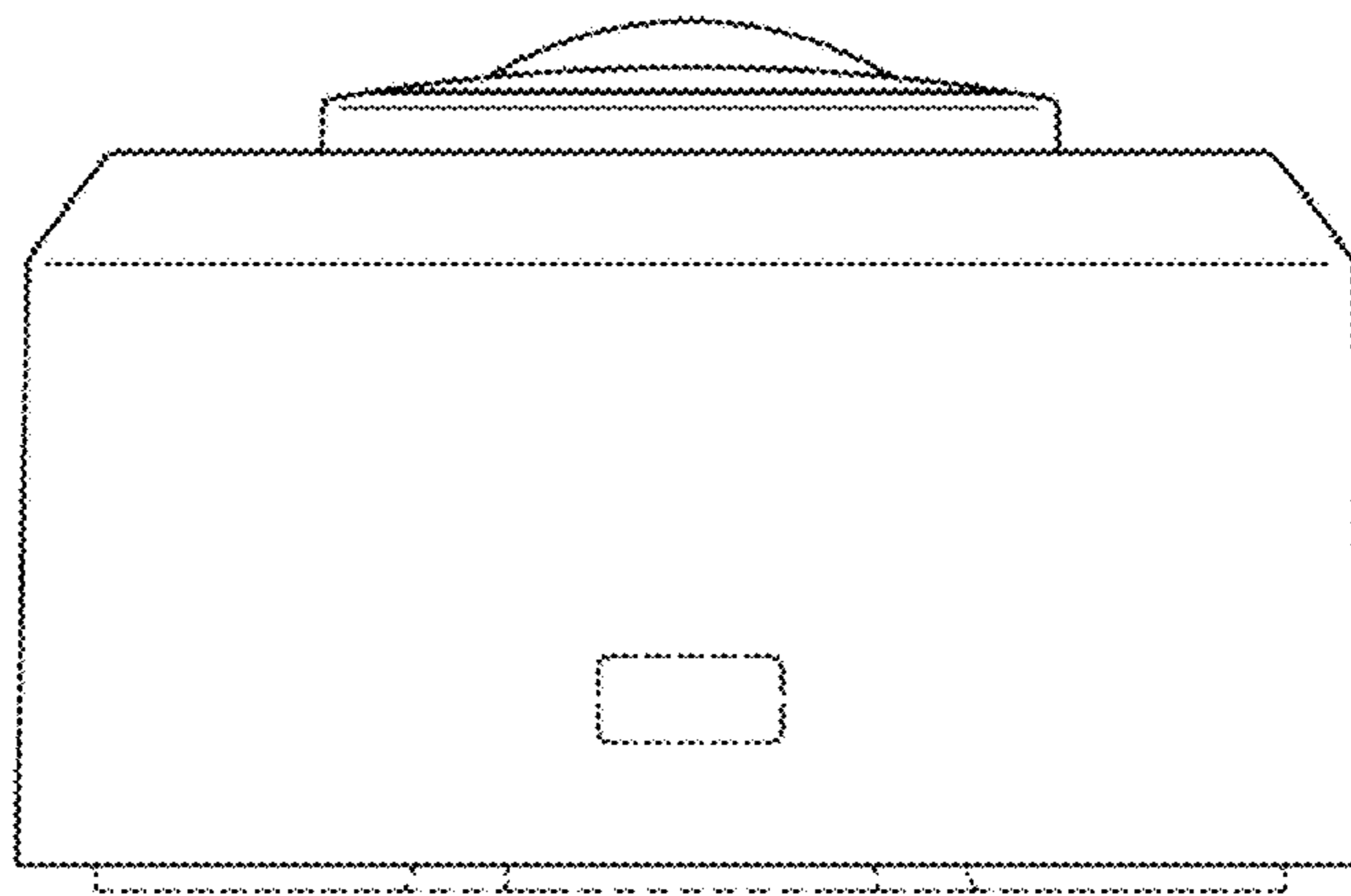


FIG. 16