



US00D848887S

(12) **United States Design Patent**
Zhou et al.

(10) **Patent No.:** **US D848,887 S**

(45) **Date of Patent:** **** May 21, 2019**

(54) **ELECTRONIC SCALE WITH DRAFT SHIELD**

D727,766 S * 4/2015 Wu D10/91
D727,767 S * 4/2015 Wu D10/91
D787,965 S * 5/2017 Pan D10/91
D787,966 S * 5/2017 Pan D10/91

(71) Applicant: **OHAUS Instruments (Changzhou) Co., Ltd.**, Changzhou, Jiangsu (CN)

* cited by examiner

(72) Inventors: **Zhenhong Zhou**, Shanghai (CN); **Xiaoqing Wu**, Shanghai (CN); **Xuan Zhang**, Shanghai (CN)

Primary Examiner — Antoine Duval Davis

(73) Assignee: **OHAUS INSTRUMENTS (CHANGZHOU) CO., LTD.**, Changzhou, Jiangsu (CN)

(74) *Attorney, Agent, or Firm* — Standley Law Group LLP; Jeffrey S. Standley; Stephen L. Grant

(**) Term: **15 Years**

(57) **CLAIM**

(21) Appl. No.: **29/610,958**

The ornamental design for an electronic scale with draft shield, as shown and described.

(22) Filed: **Jul. 18, 2017**

(51) **LOC (11) Cl.** **10-04**

(52) **U.S. Cl.**
USPC **D10/91**

DESCRIPTION

(58) **Field of Classification Search**
USPC D10/91
CPC G01G 21/28; G01G 21/283; G01G 21/286;
G01G 21/30; G01G 23/37; G01G
23/3728; G01G 23/3735
See application file for complete search history.

FIG. 1 is a right front perspective view of the electronic scale with draft shield;
FIG. 2 is a bottom plan view thereof;
FIG. 3 is a left side elevation view thereof;
FIG. 4 is a front elevation view thereof;
FIG. 5 is a right side elevation view thereof;
FIG. 6 is a rear elevation view thereof; and,
FIG. 7 is a top plan view thereof.

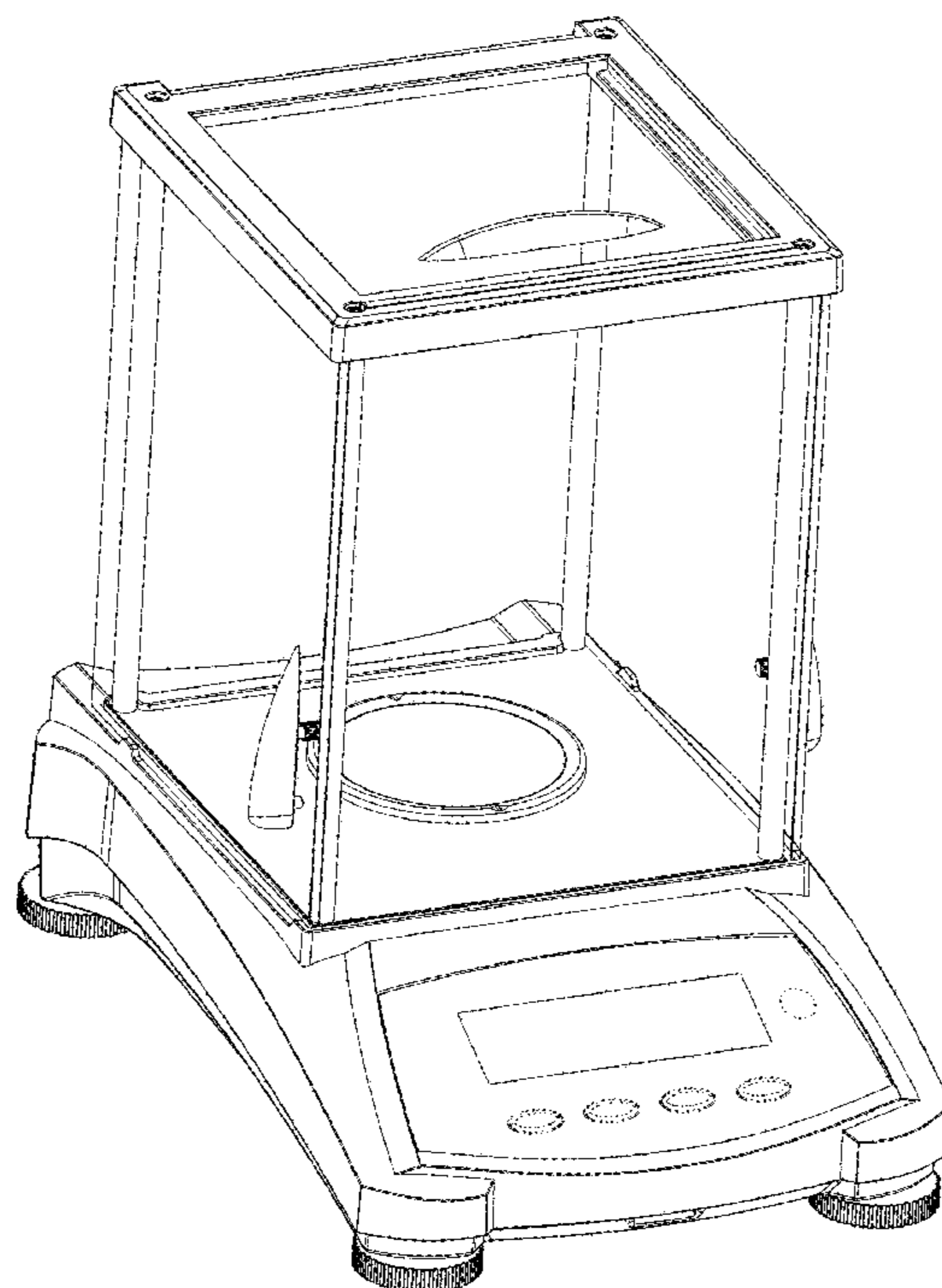
(56) **References Cited**

U.S. PATENT DOCUMENTS

8,067,705 B2 * 11/2011 Izumo G01G 21/30
177/180
8,203,086 B2 * 6/2012 Izumo G01G 21/30
177/180

The broken lines in the figures depict unclaimed environmental subject matter.

1 Claim, 7 Drawing Sheets



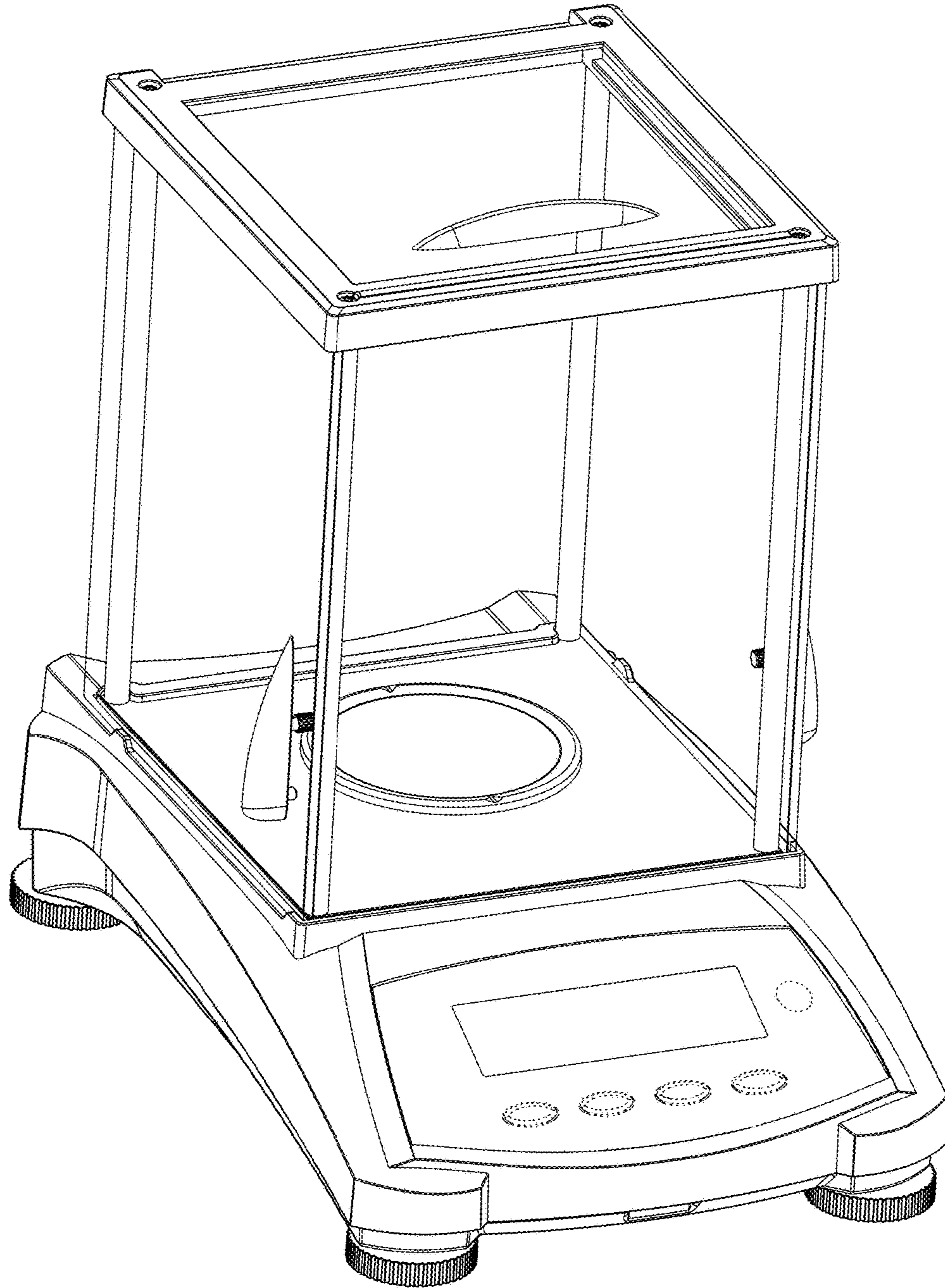


FIG. 1

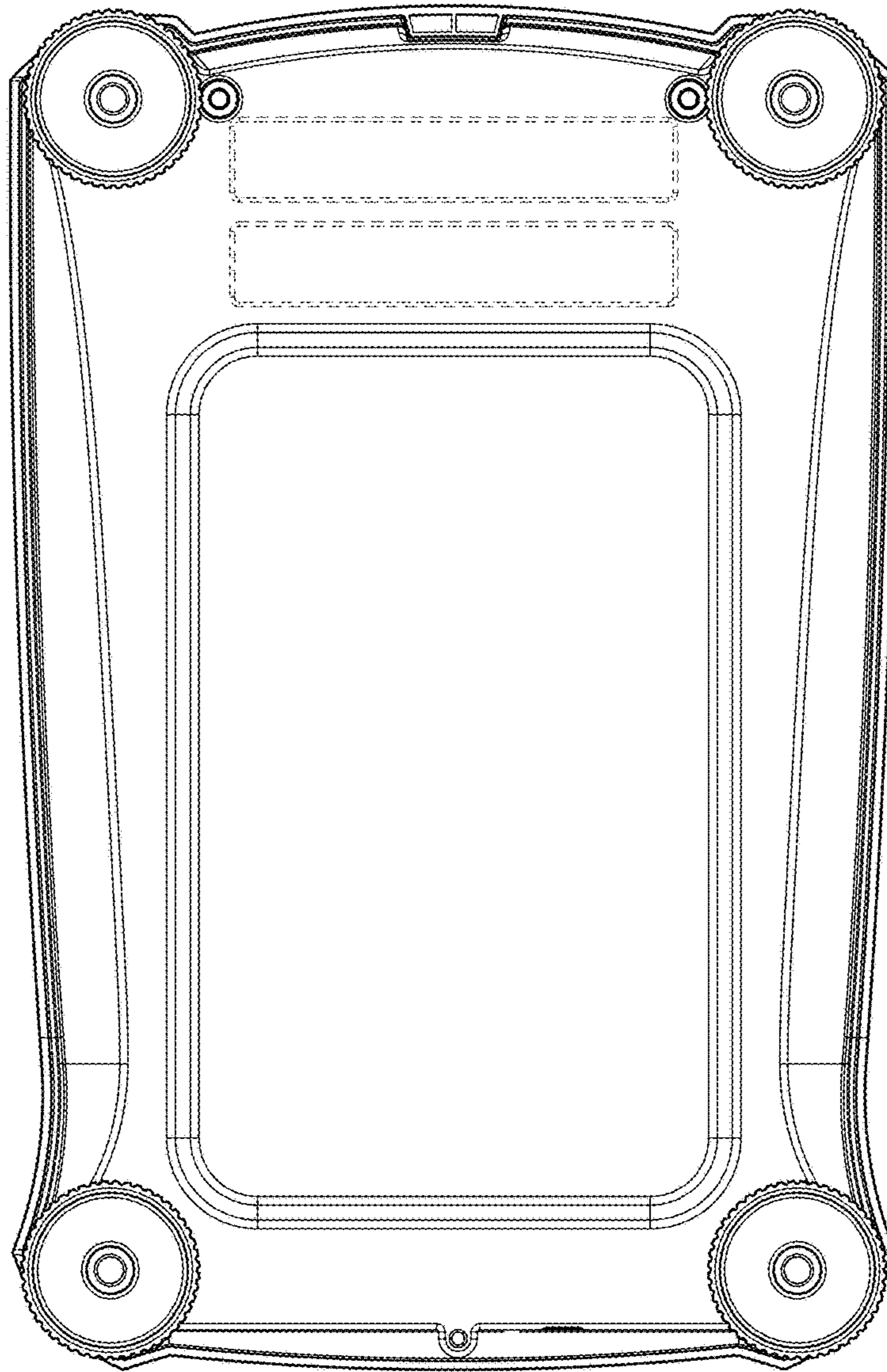


FIG. 2

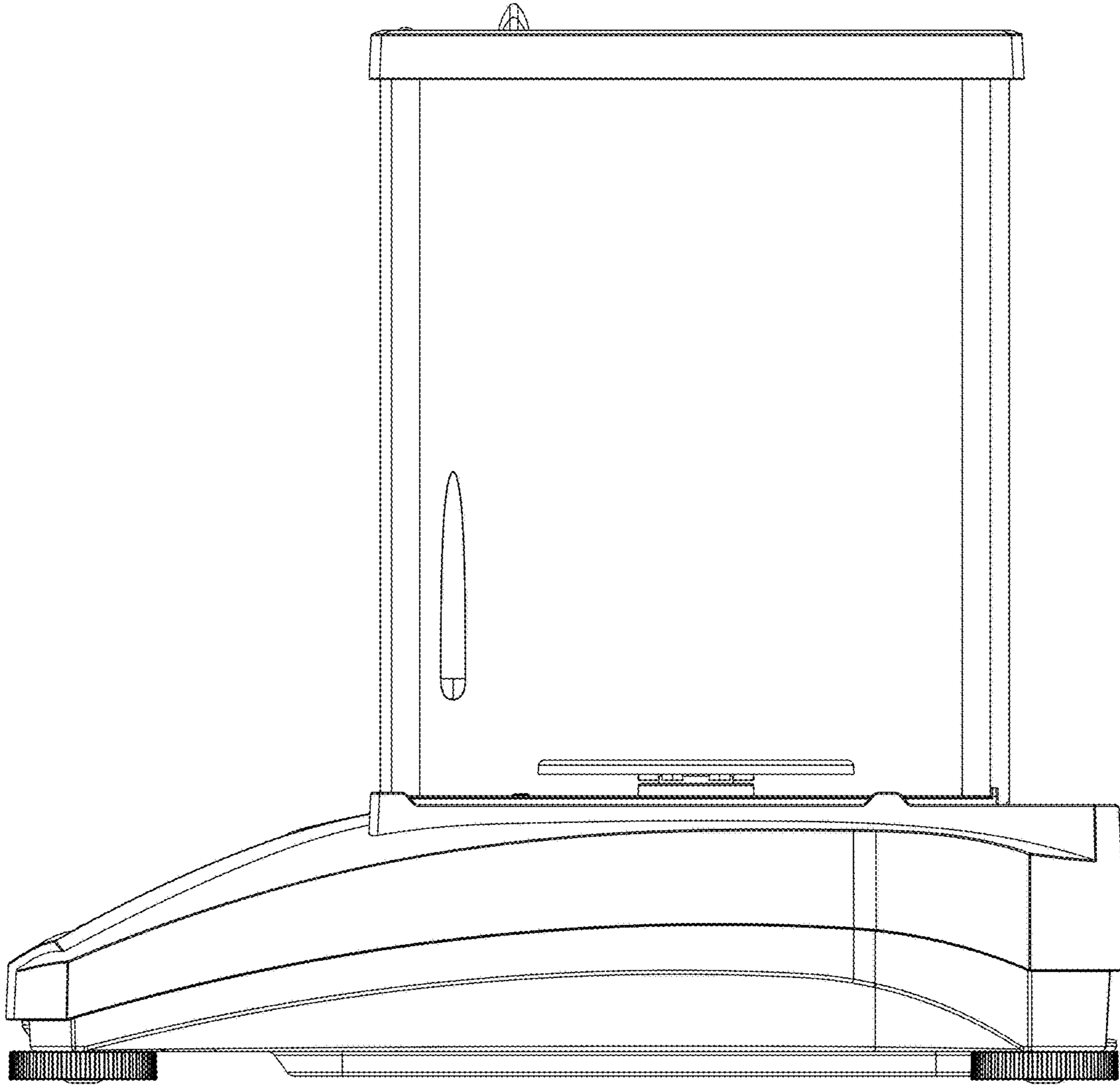


FIG. 3

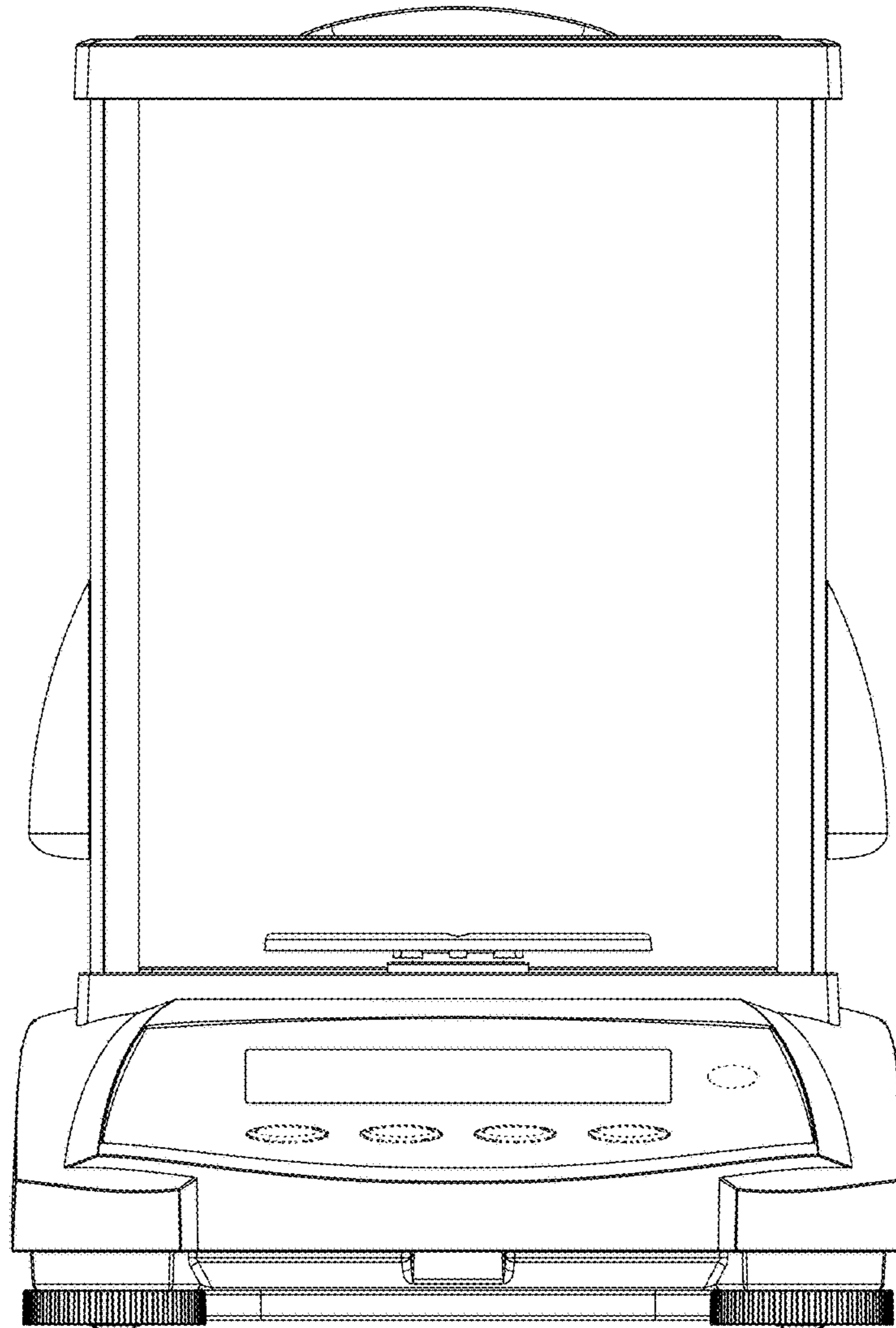


FIG. 4

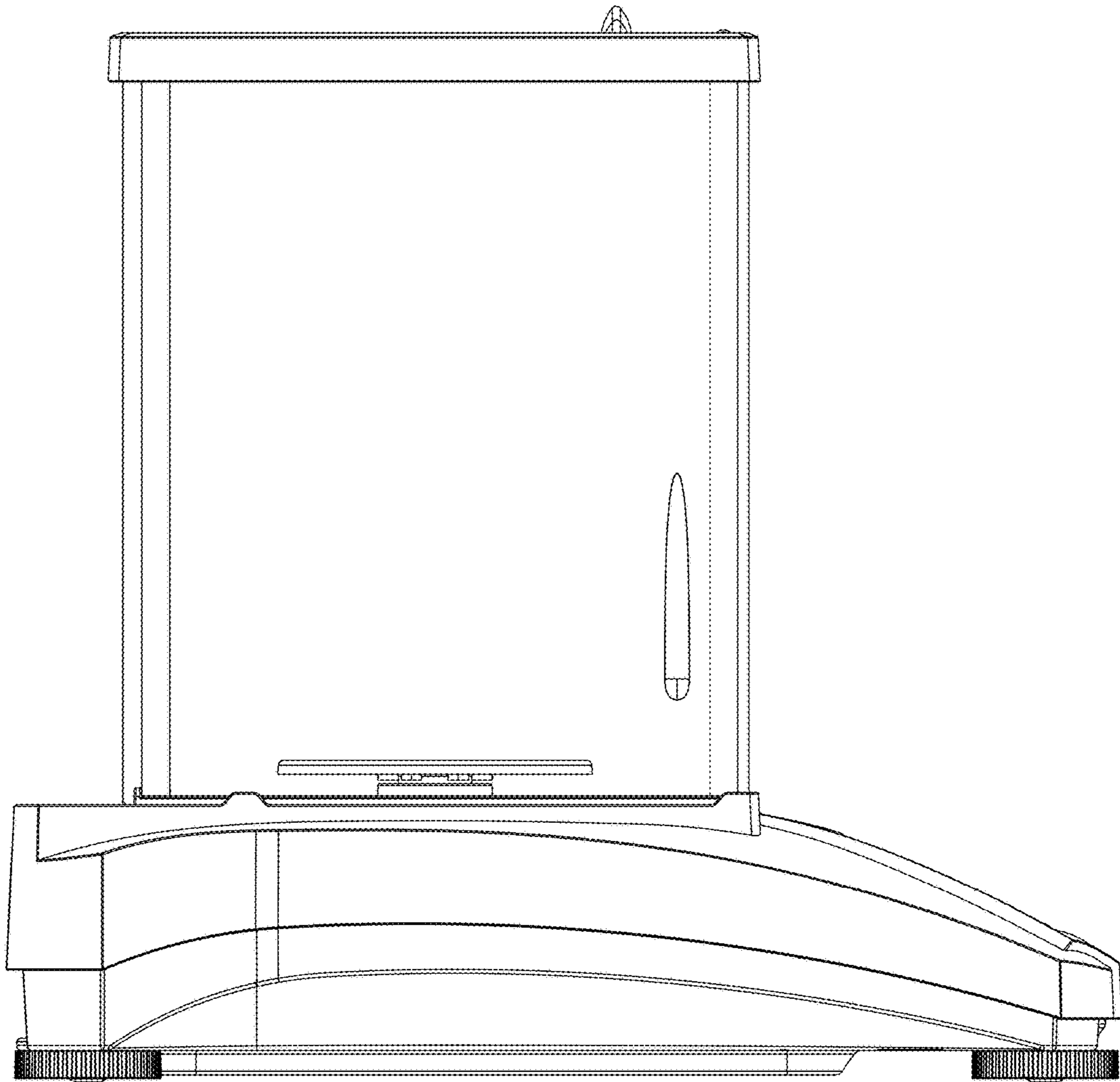


FIG. 5

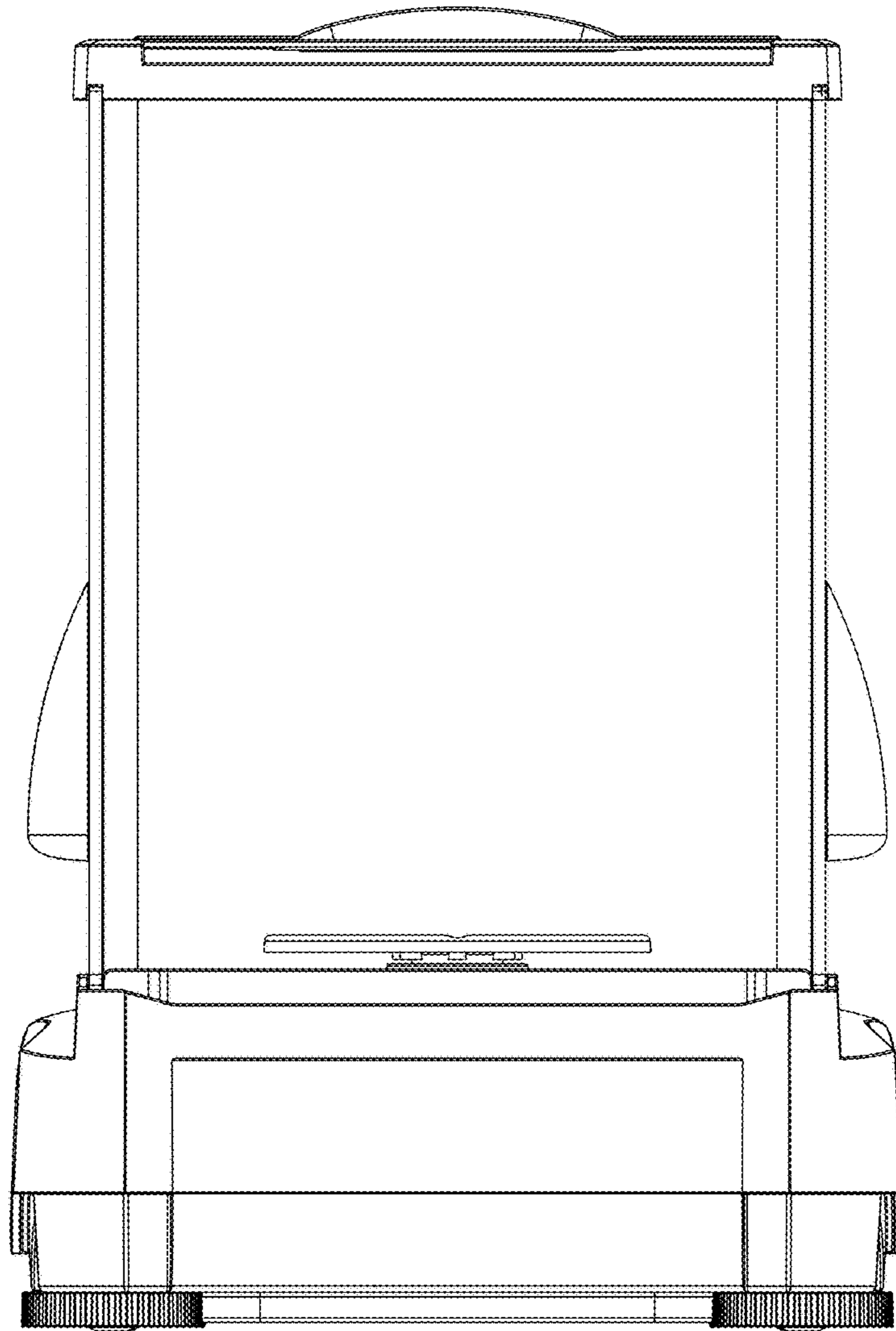


FIG. 6

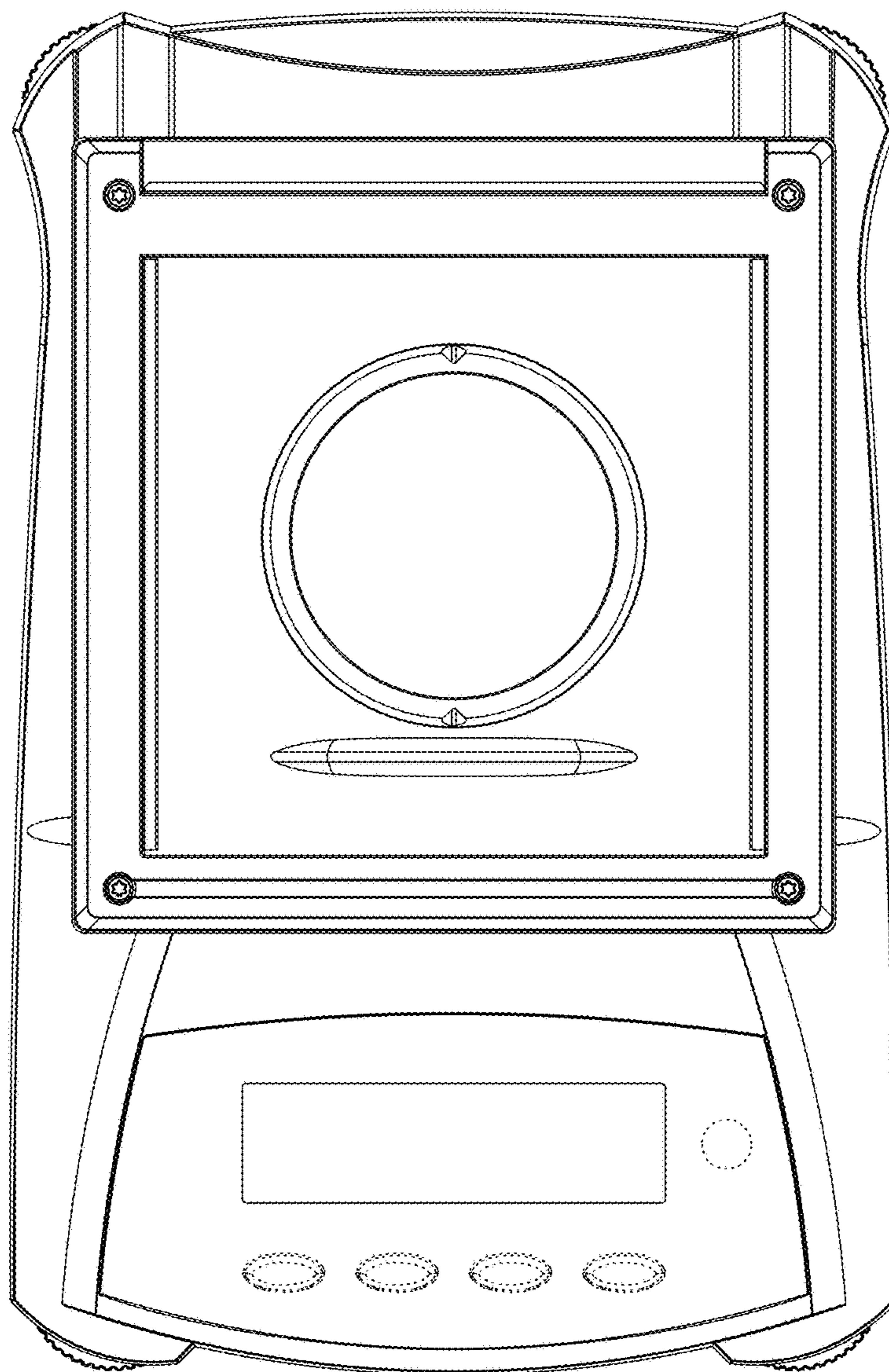


FIG. 7