



US00D848885S

(12) **United States Design Patent**
Xie

(10) **Patent No.:** **US D848,885 S**

(45) **Date of Patent:** **** *May 21, 2019**

(54) **PORTABLE MILLIGRAM SCALE**

(71) Applicant: **Jin Xie**, Shenzhen (CN)

(72) Inventor: **Jin Xie**, Shenzhen (CN)

(*) Notice: This patent is subject to a terminal disclaimer.

(**) Term: **15 Years**

(21) Appl. No.: **29/608,477**

(22) Filed: **Jun. 22, 2017**

(51) **LOC (11) Cl.** **10-04**

(52) **U.S. Cl.**
USPC **D10/91**

(58) **Field of Classification Search**
USPC D10/91
CPC G01G 21/28; G01G 21/283; G01G 21/286;
G01G 21/30; G01G 23/37; G01G
23/3728; G01G 23/3735
See application file for complete search history.

(56) **References Cited**

U.S. PATENT DOCUMENTS

D578,420 S * 10/2008 Kesselman D10/91
D578,421 S * 10/2008 Kesselman D10/91
D586,679 S * 2/2009 Kurata D10/91

D588,032 S * 3/2009 Kesselman D10/91
D596,518 S * 7/2009 Kesselman D10/91
D679,208 S * 4/2013 Depauw D10/91
D702,144 S * 4/2014 Kobayakawa D10/91
9,903,752 B2 * 2/2018 Pan G01G 21/22

* cited by examiner

Primary Examiner — Antoine Duval Davis

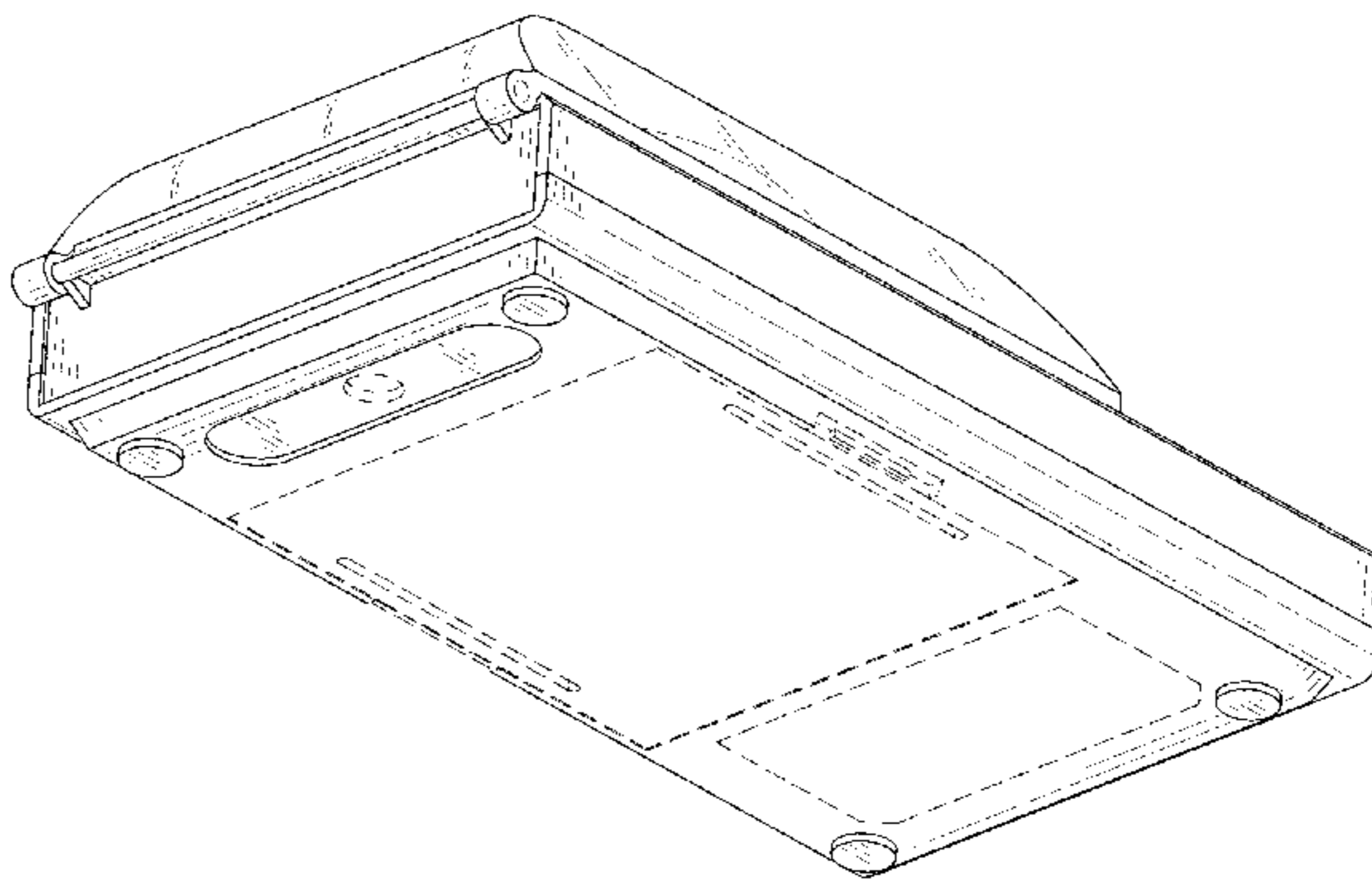
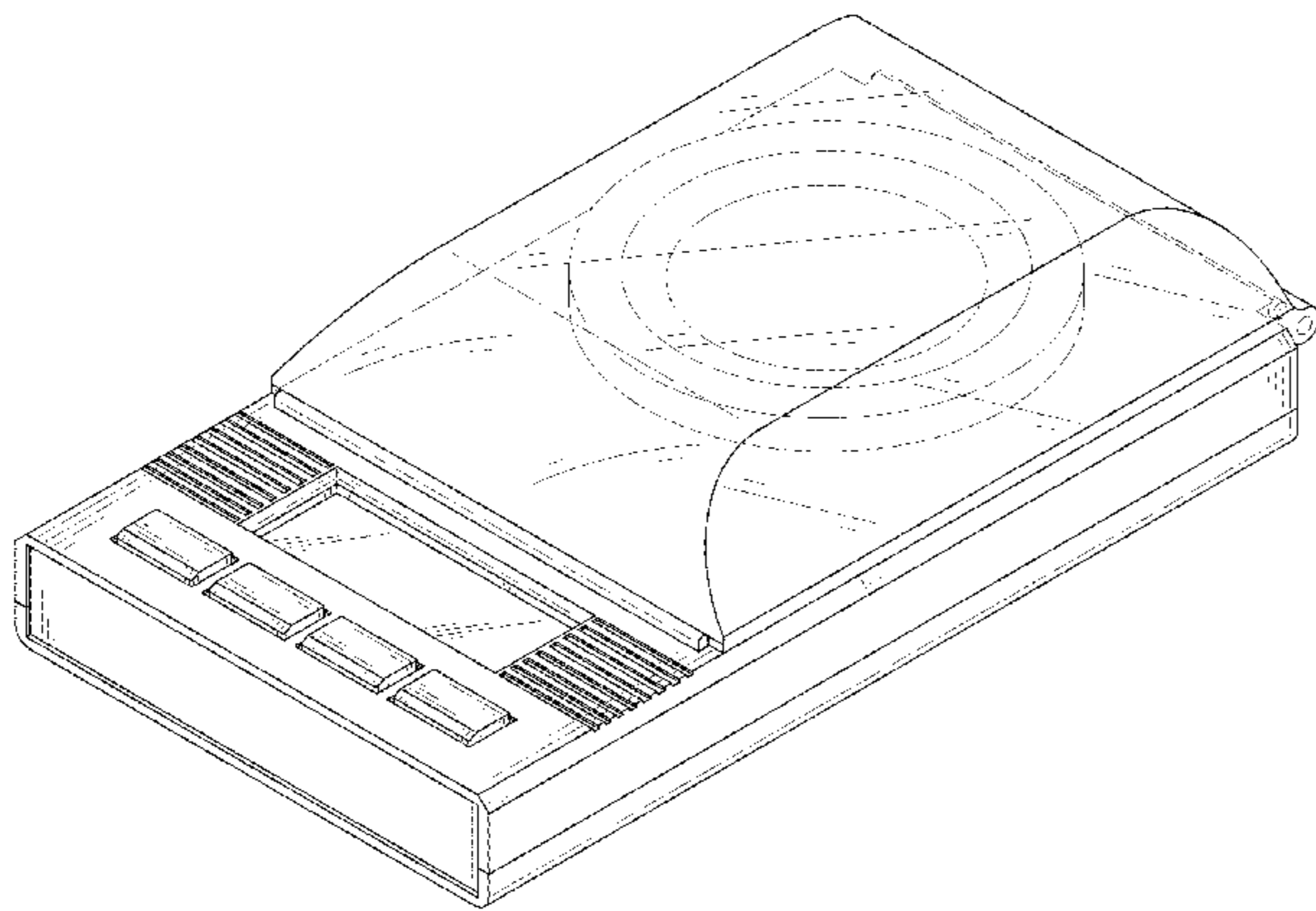
(57) **CLAIM**

The ornamental design for a portable milligram scale, as shown and described.

DESCRIPTION

FIG. 1 is a front elevational view of a portable milligram scale showing my new design;
FIG. 2 is a rear elevational view thereof;
FIG. 3 is a left elevational view thereof;
FIG. 4 is a right elevational view thereof;
FIG. 5 is a top plan view thereof;
FIG. 6 is a bottom plan view thereof;
FIG. 7 is a perspective view where the portable milligram scale is in a closed state;
FIG. 8 is another perspective view where the portable milligram scale is in the closed state;
FIG. 9 is another perspective view where the portable milligram scale is in an open state; and,
FIG. 10 is a front elevational view thereof.
The broken lines illustrate portions of the portable milligram scale that form no part of the claimed design.

1 Claim, 10 Drawing Sheets



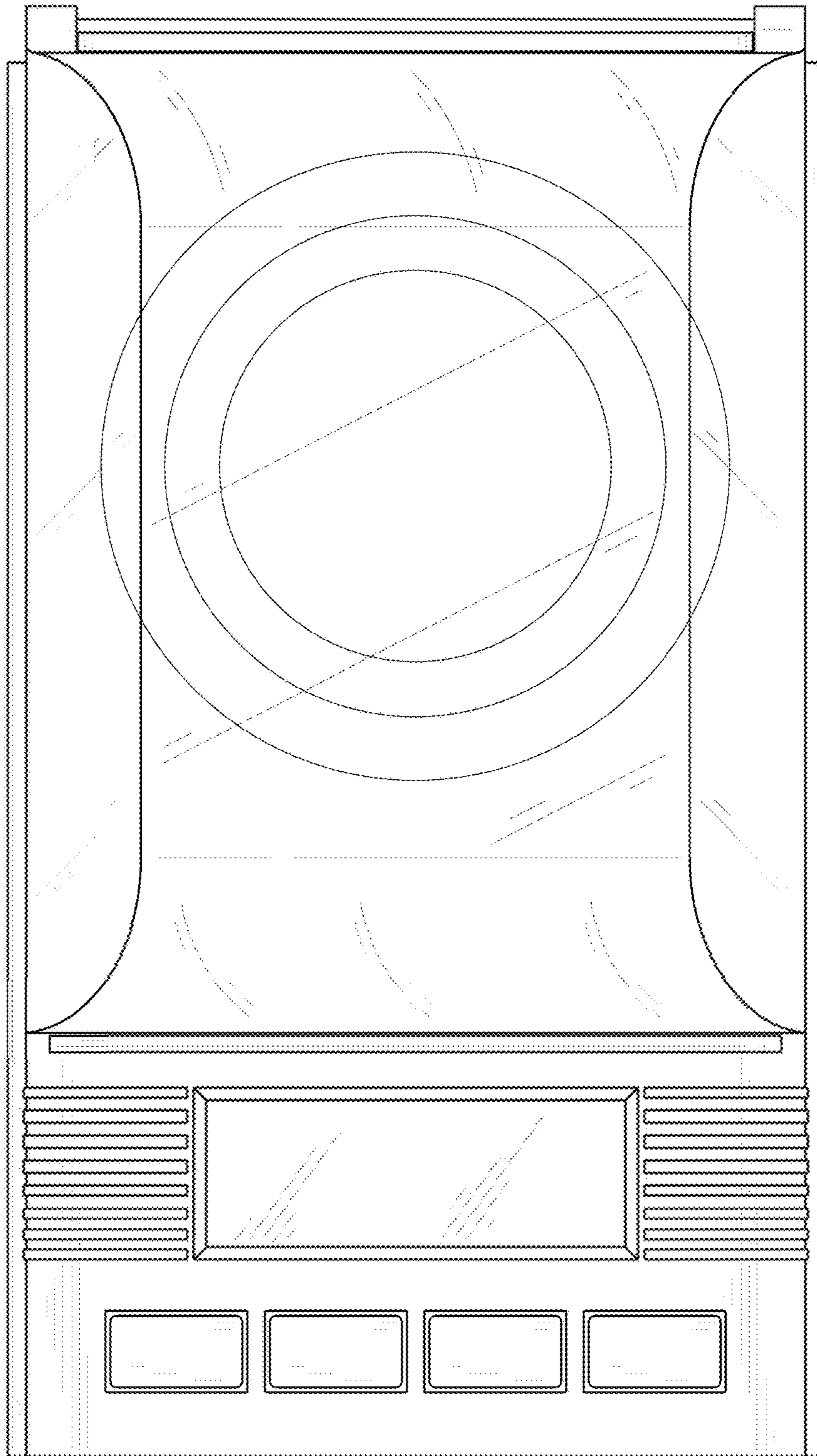


FIG. 1

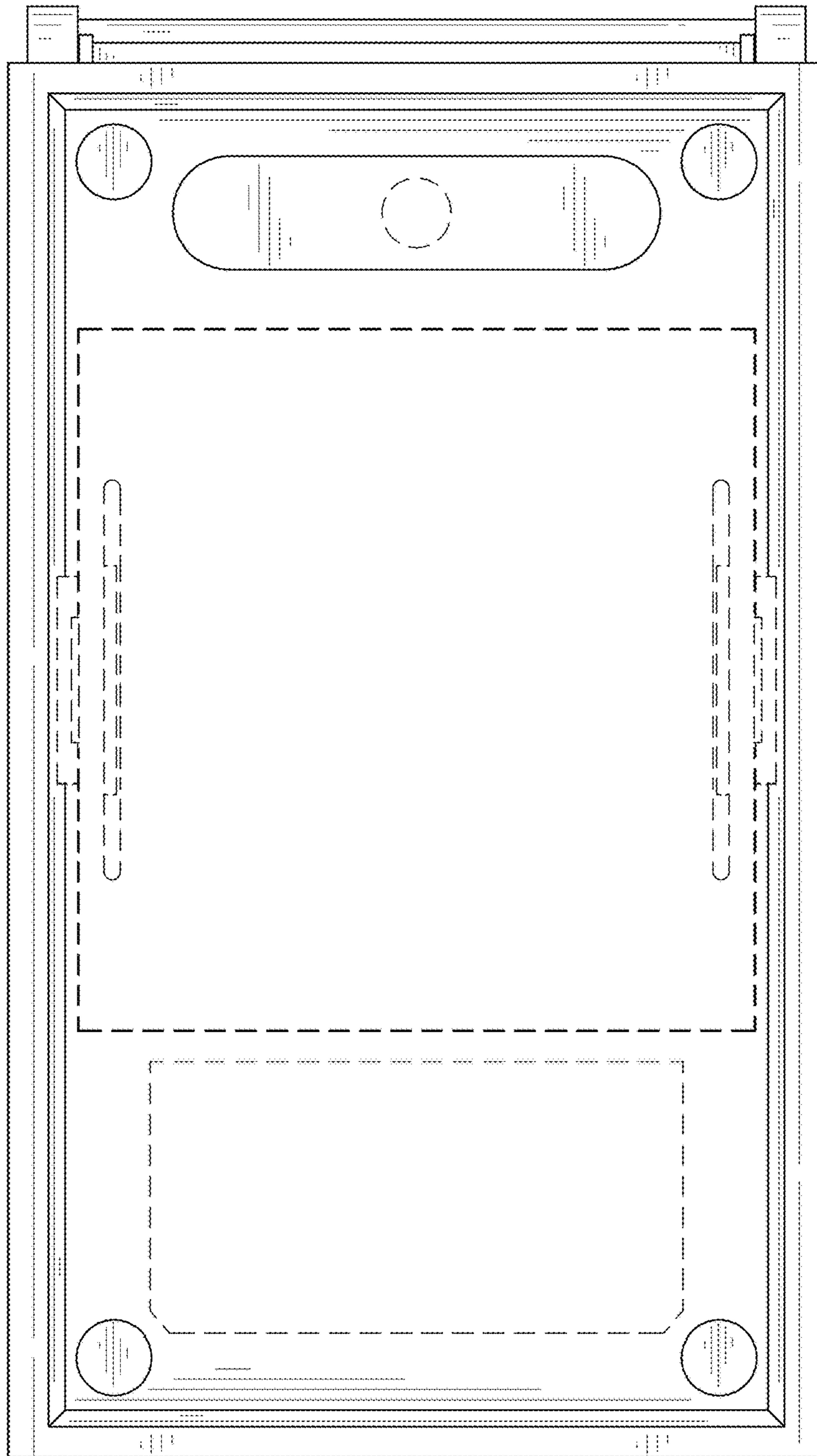


FIG. 2

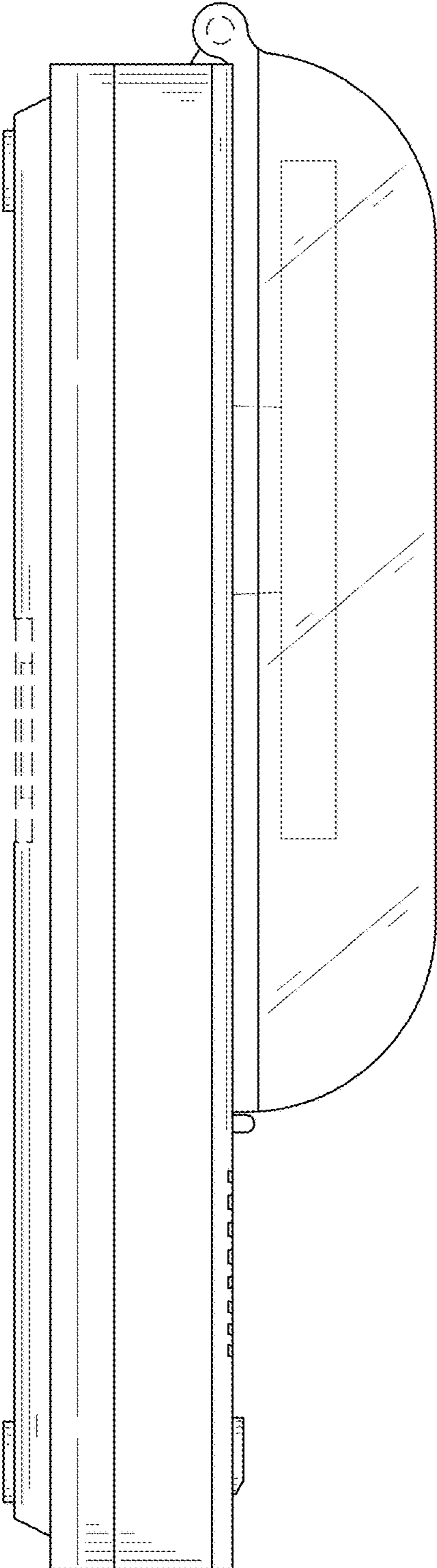


FIG. 3

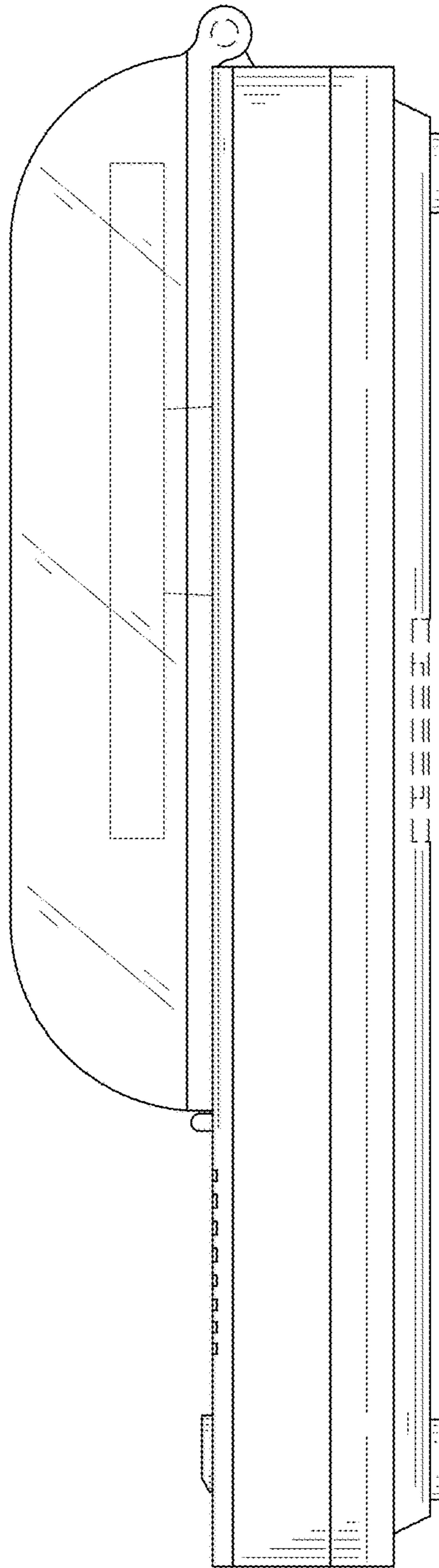


FIG. 4

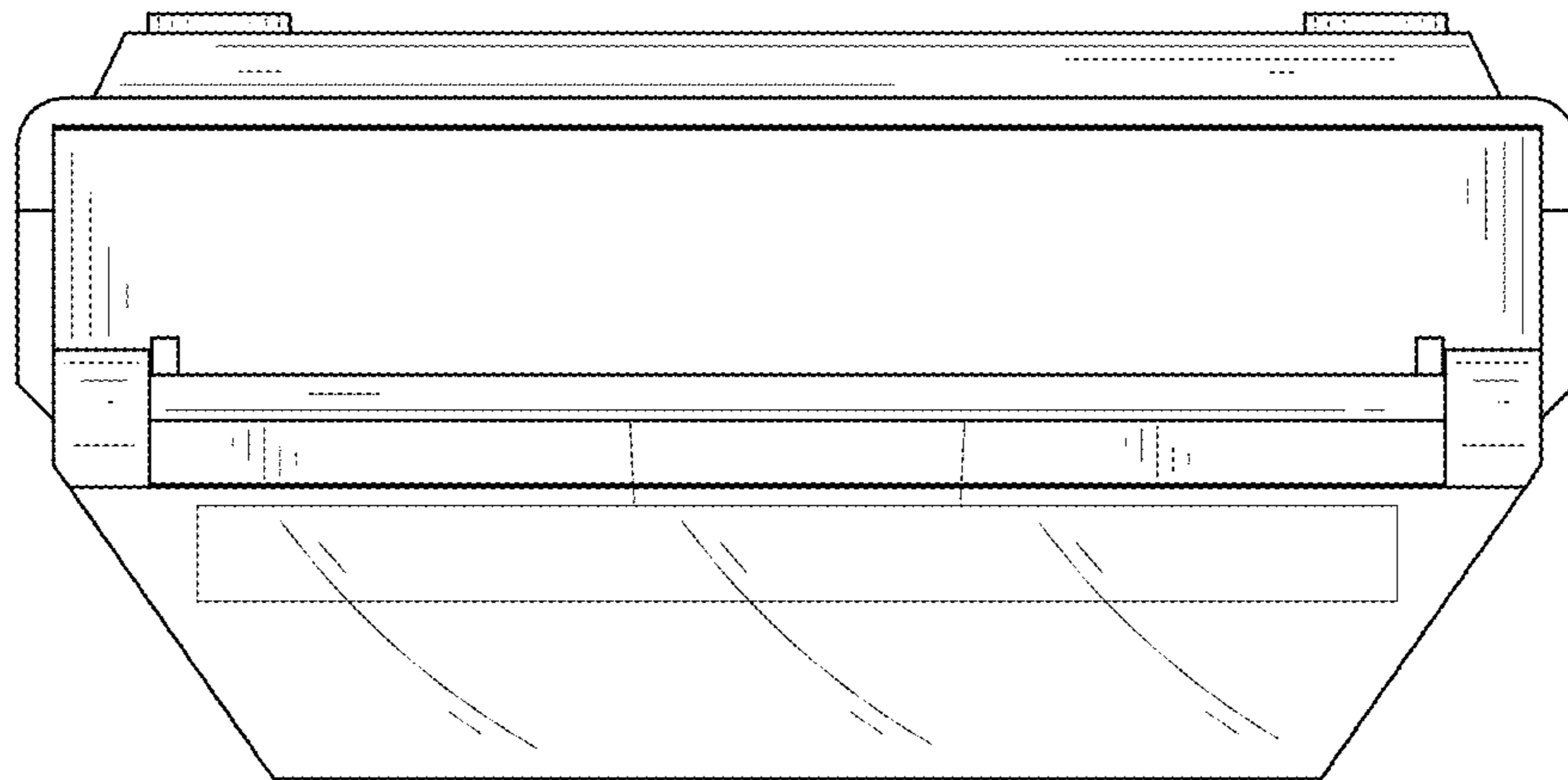


FIG. 5

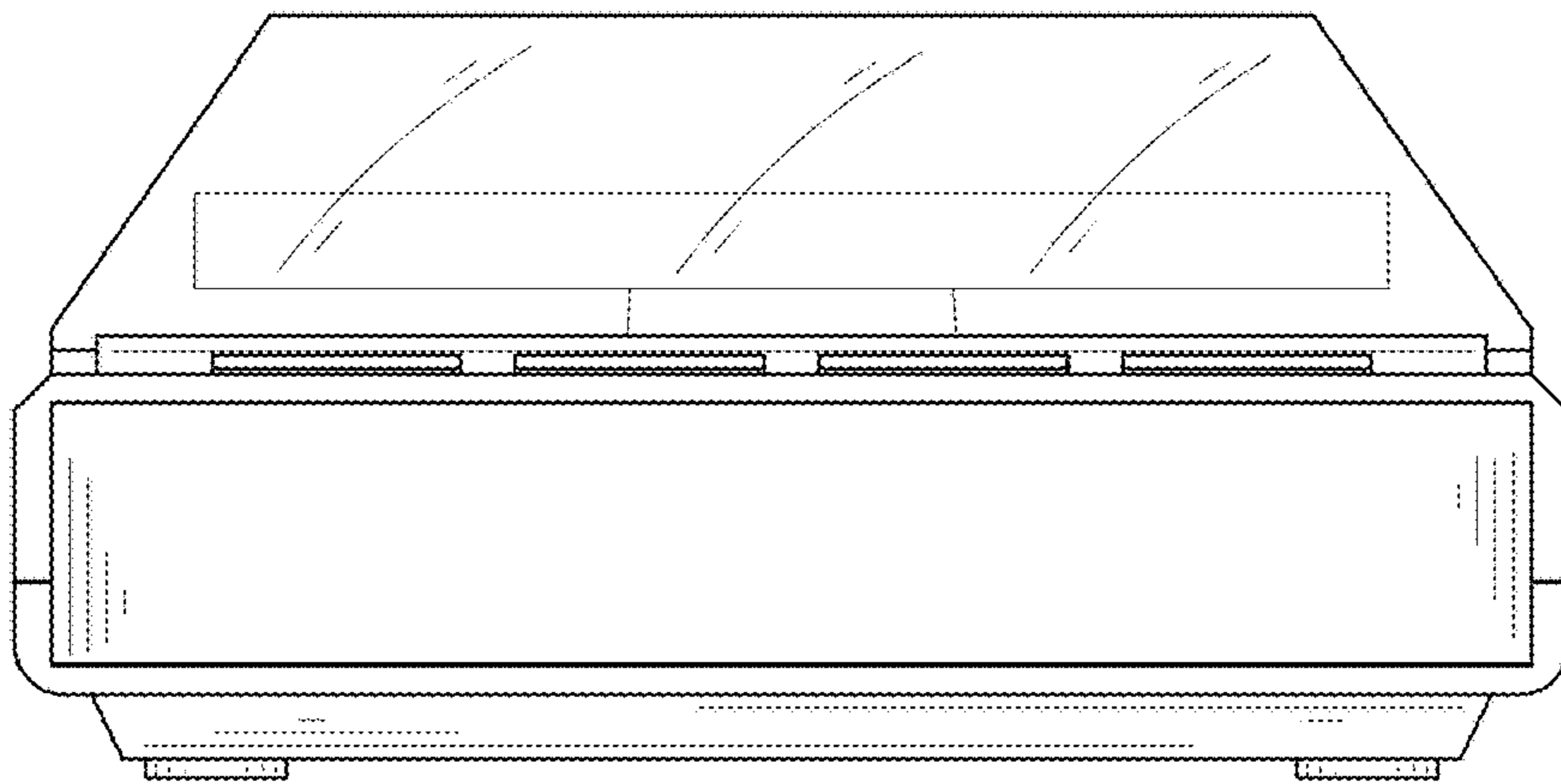


FIG. 6

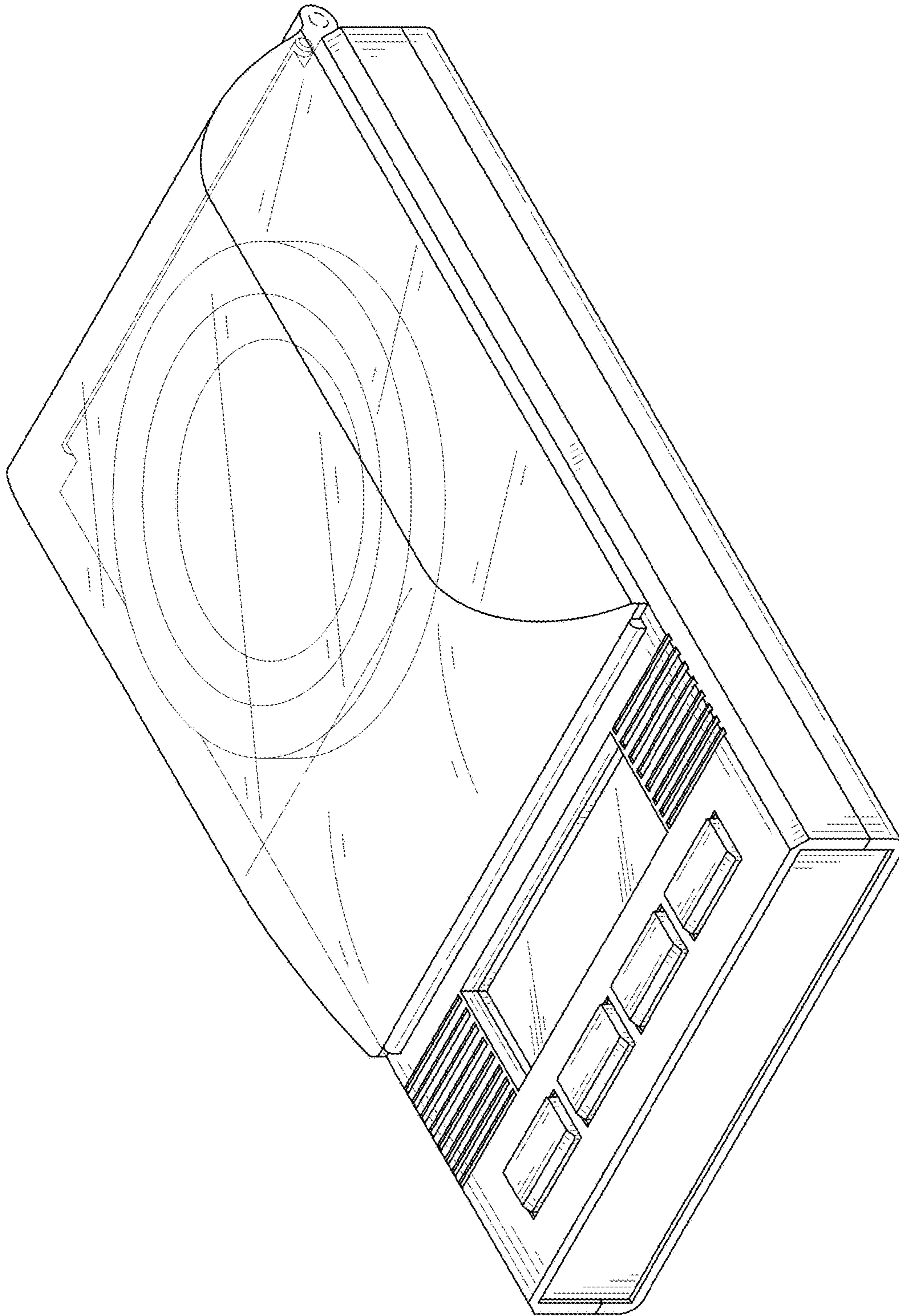


FIG. 7

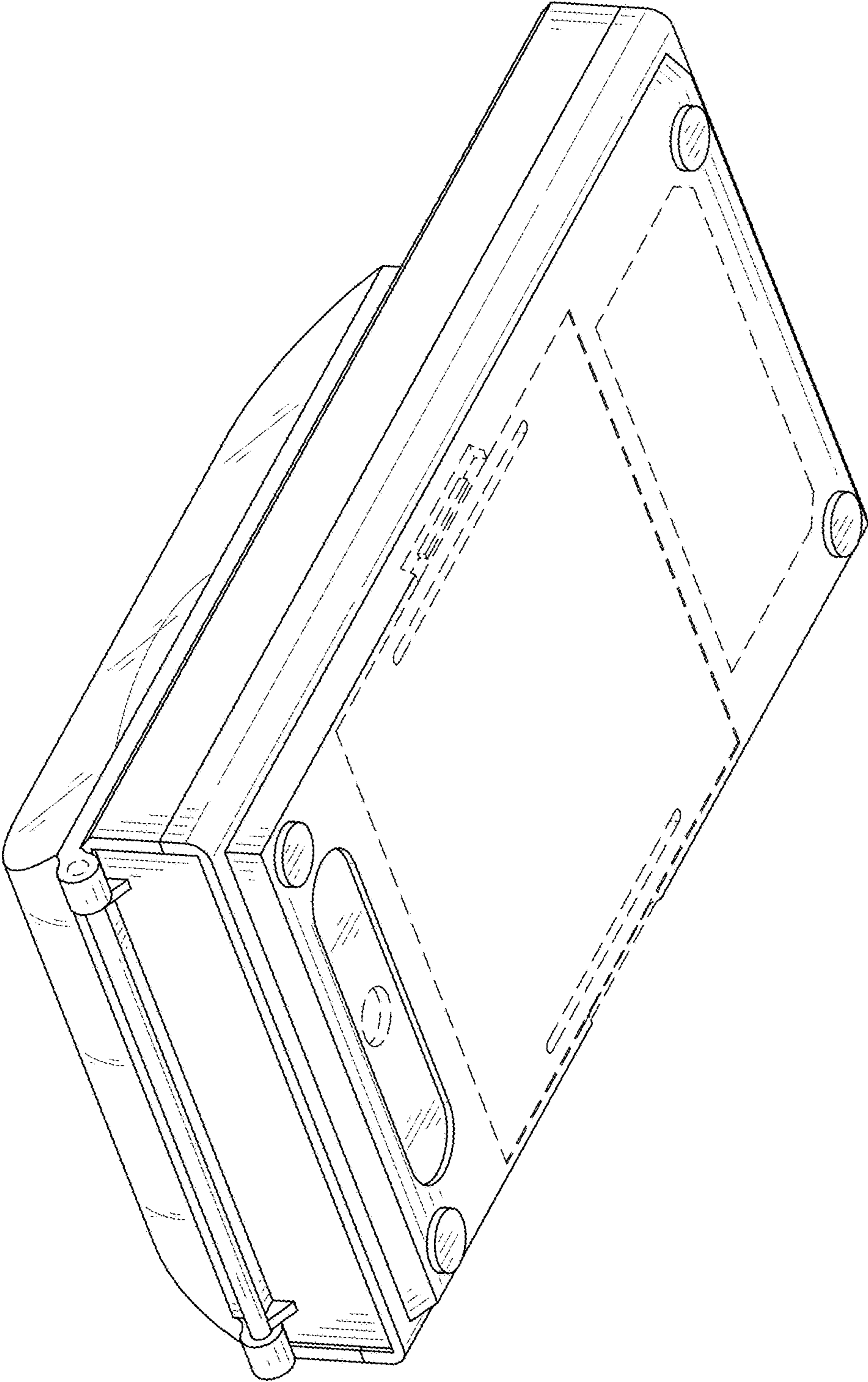


FIG. 8

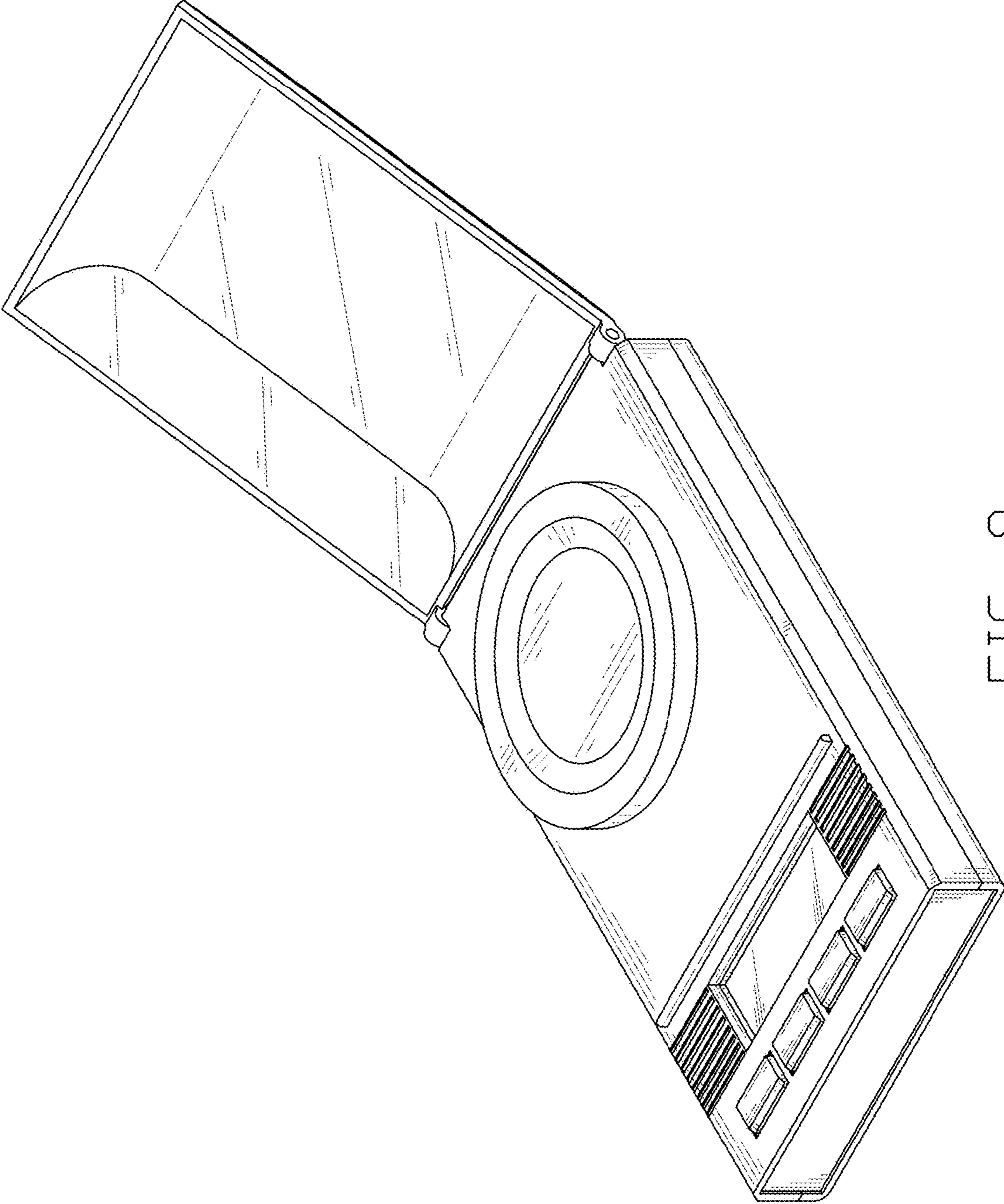


FIG. 9

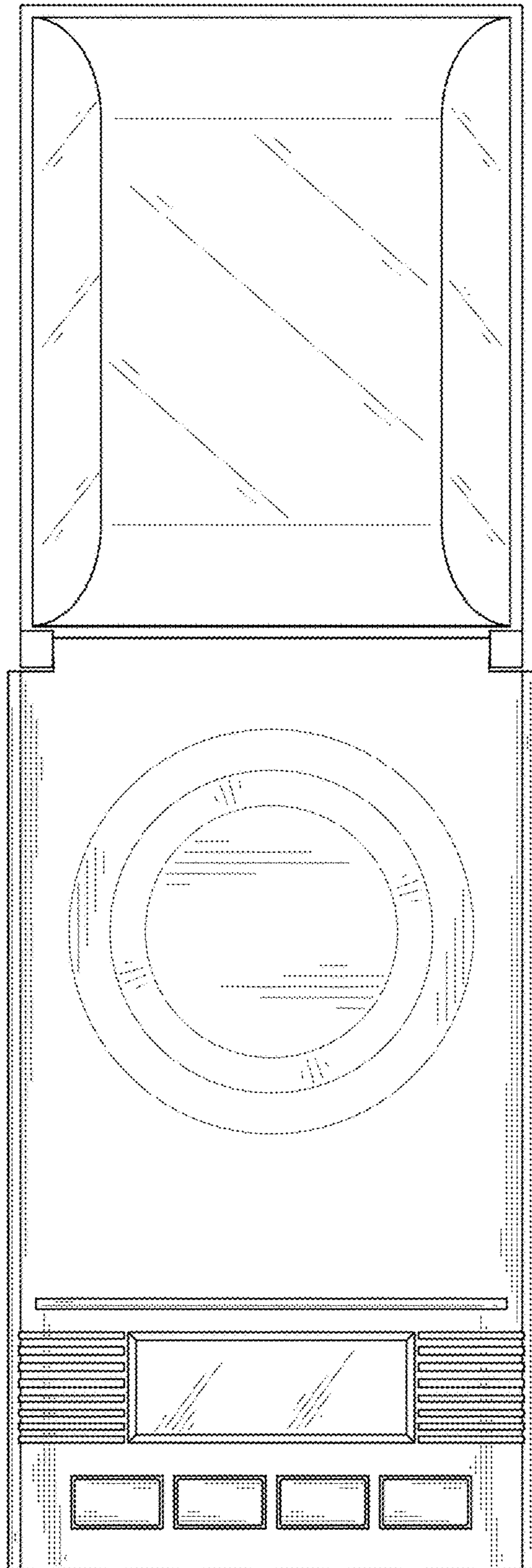


FIG. 10