



US00D848884S

(12) **United States Design Patent** (10) **Patent No.:** **US D848,884 S**
Patton et al. (45) **Date of Patent:** **** May 21, 2019**

(54) **LOAD INDICATOR**
(71) Applicant: **WERNER CO.**, Greenville, PA (US)
(72) Inventors: **Justin S. Patton**, Franklin, PA (US);
Tracee Leonardson, Ashtabula, OH (US); **Cody Rappoport**, Greenville, PA (US)
(73) Assignee: **WERNER CO.**, Greenville, PA (US)

5,771,993 A 6/1998 Anderson et al.
6,338,399 B1 1/2002 Choate
6,378,651 B1 4/2002 Ecker et al.
6,446,936 B1 9/2002 Ostrobrod
7,188,704 B2 3/2007 Renton et al.
8,292,028 B2 10/2012 Wise
8,584,799 B1 11/2013 Dennington
8,701,826 B2 4/2014 Smith et al.
9,272,168 B2 3/2016 Parker et al.
9,480,865 B2 11/2016 Naylor et al.
2005/0230184 A1 10/2005 Ansaldo
2008/0179136 A1 7/2008 Griffith

(**) Term: **15 Years**

FOREIGN PATENT DOCUMENTS

(21) Appl. No.: **29/622,938**
(22) Filed: **Oct. 20, 2017**
(51) **LOC (11) Cl.** **10-04**
(52) **U.S. Cl.**
USPC **D10/89**; D8/370; D10/94; D29/101.1
(58) **Field of Classification Search**
USPC D8/368, 370; D10/89, 94; D29/101.1
CPC A62B 35/0025; A62B 35/0031; A62B
35/0037; A62B 35/0093; A62B 35/04;
A62B 35/0075; A62B 35/0043; A62B
35/0006; B64D 17/16; F16F 7/006; F16F
9/32; F16F 9/3207; F16F 9/3264; F16F
9/3292; F16F 2234/02; G01G 19/14;
F16B 45/06; Y10T 24/45366; Y10T
24/45293; Y10T 24/45298; Y10T 24/4764
See application file for complete search history.

GB 2 333 532 A 7/1989
GB 2 217 421 A 10/1989
GB 2 344 628 A 6/2000

* cited by examiner

Primary Examiner — Antoine Duval Davis
(74) *Attorney, Agent, or Firm* — Eckert Seamans Cherin & Mellott, LLC; Nathaniel C. Wilks

(57) **CLAIM**

The ornamental design for a load indicator, as shown and described.

DESCRIPTION

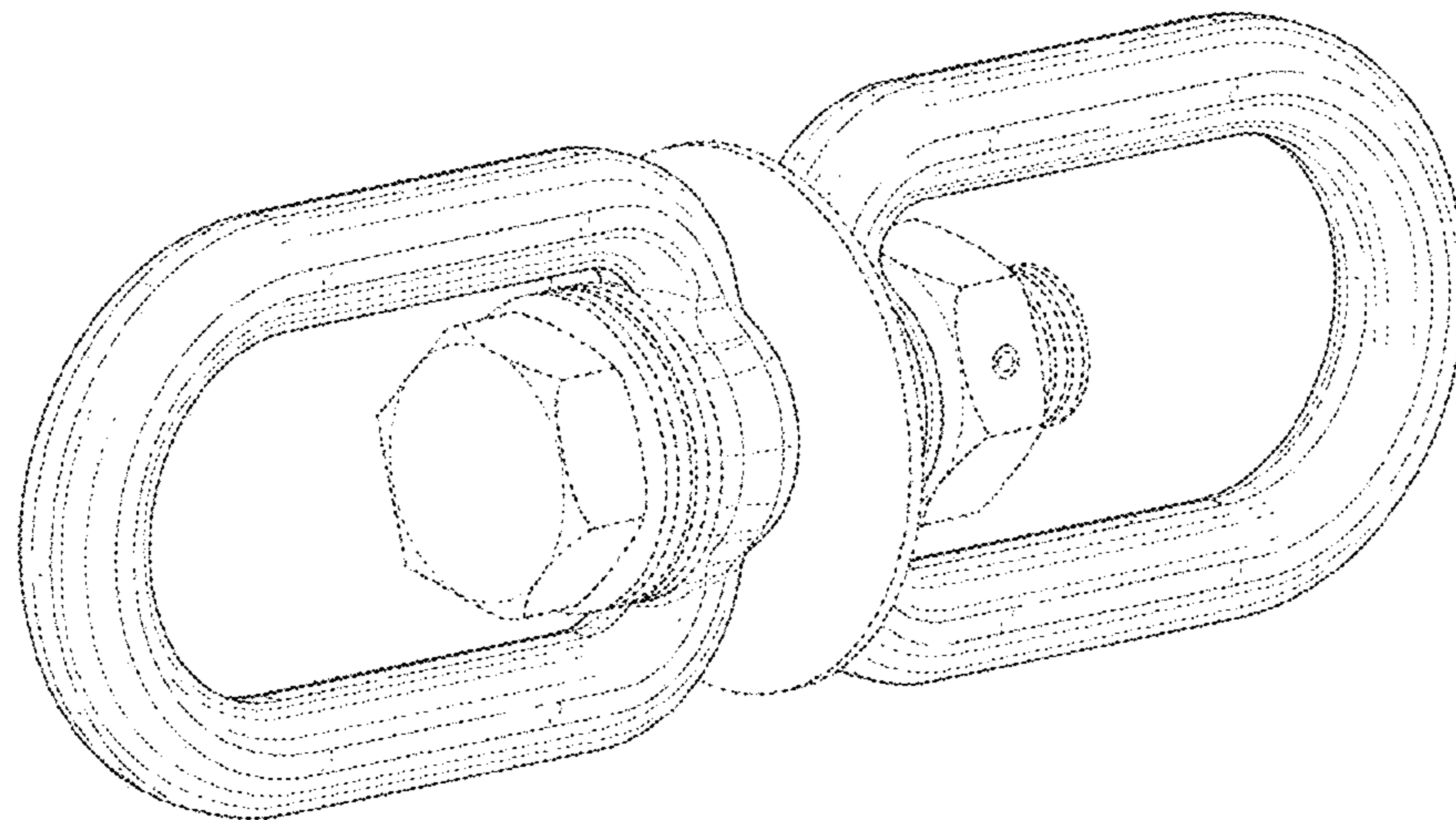
FIG. 1 is a perspective view of an embodiment of the energy absorber cover;
FIG. 2 is a front elevational view thereof;
FIG. 3 is a rear elevational view thereof;
FIG. 4 is a left side elevational view thereof;
FIG. 5 is a right side elevational view thereof;
FIG. 6 is a top view thereof; and,
FIG. 7 is a bottom view thereof.
The broken lines are for illustration of the boundary between claimed subject matter and unclaimed subject matter or for illustration of environmental subject matter only and form no part of the claimed design.

(56) **References Cited**

U.S. PATENT DOCUMENTS

200,510 A * 2/1878 Coles Y10T 24/45293
3,444,957 A 5/1969 Ervin, Jr.
4,446,944 A 5/1984 Forrest et al.
4,538,702 A 9/1985 Wolner
5,090,503 A 2/1992 Bell
5,143,187 A 9/1992 McQuarrie et al.
5,174,410 A 12/1992 Casebolt
5,220,977 A 6/1993 Wolner
5,598,900 A 2/1997 O'Rourke

1 Claim, 6 Drawing Sheets



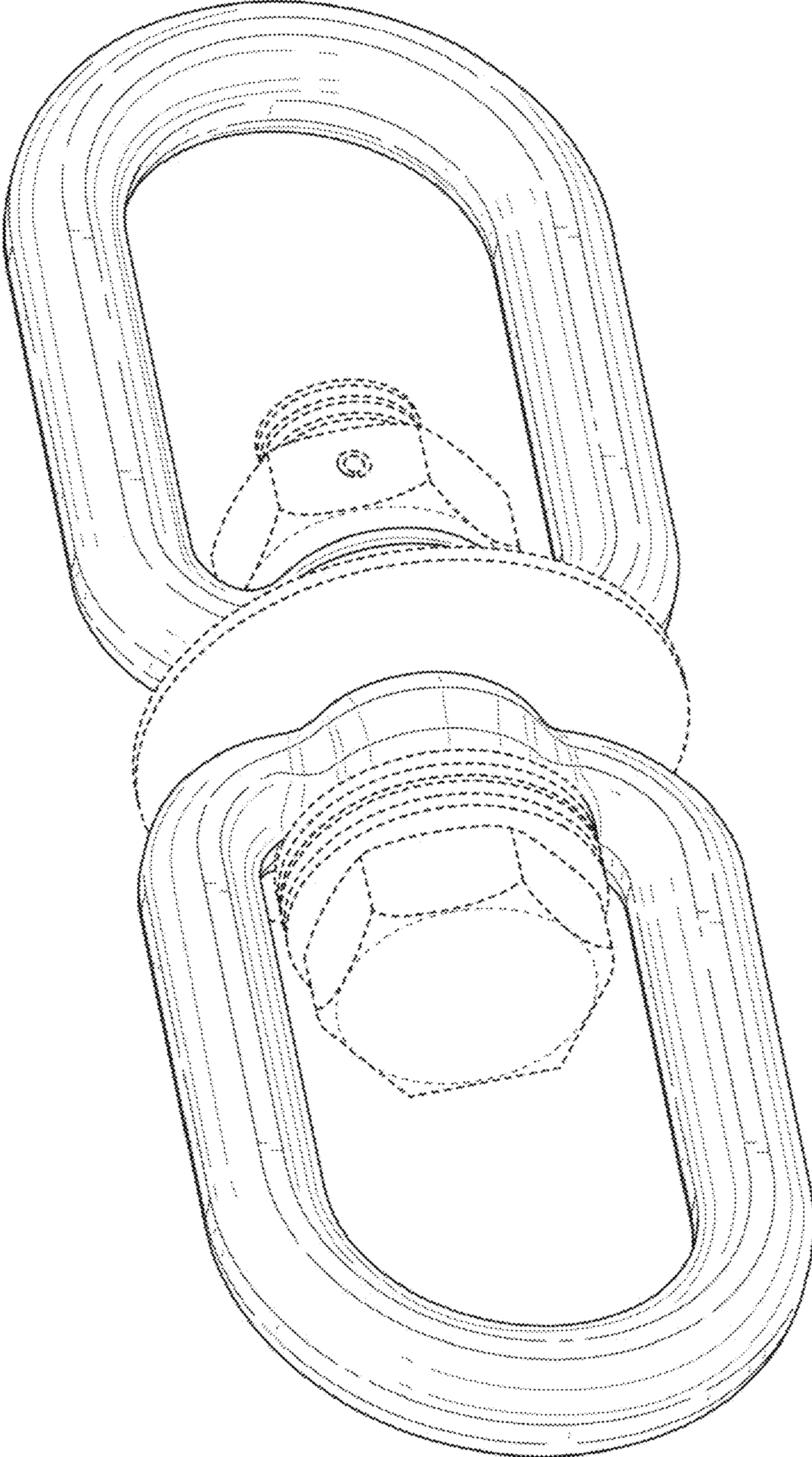


FIG. 1

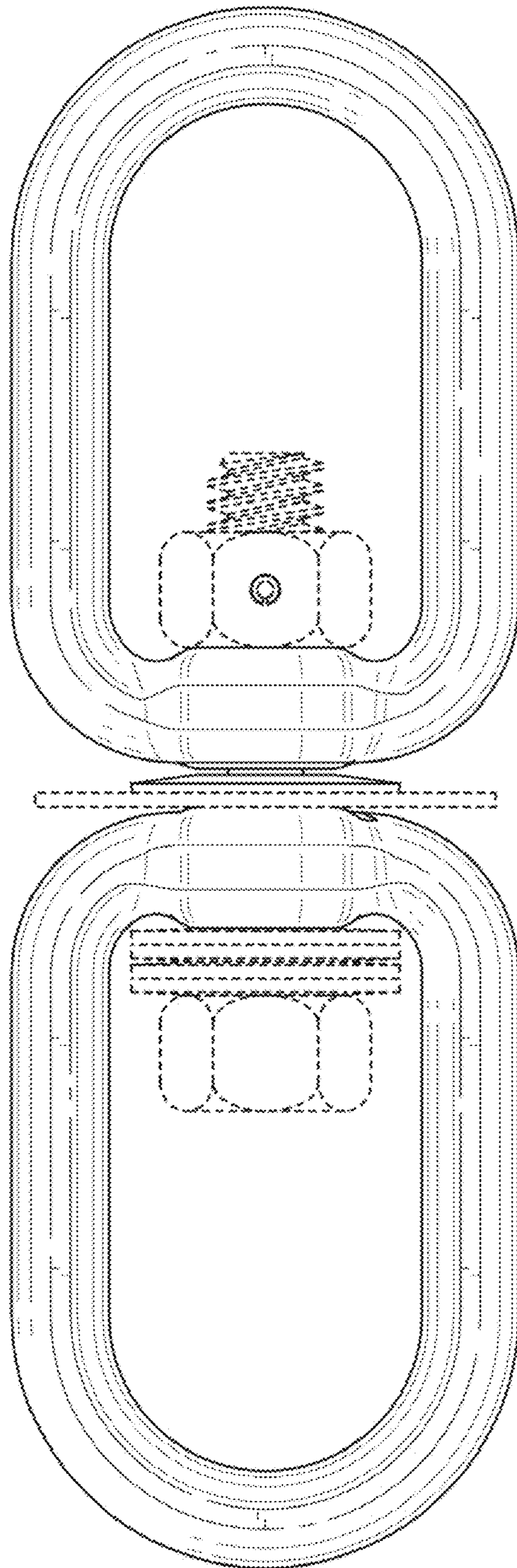


FIG. 2

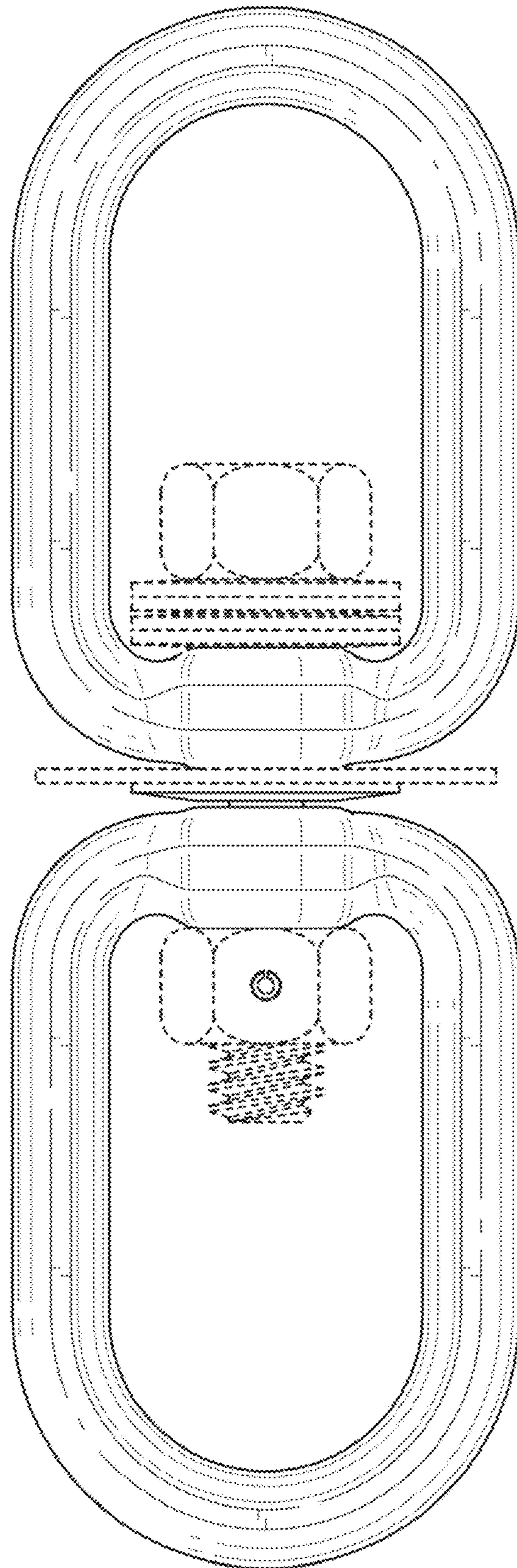


FIG. 3

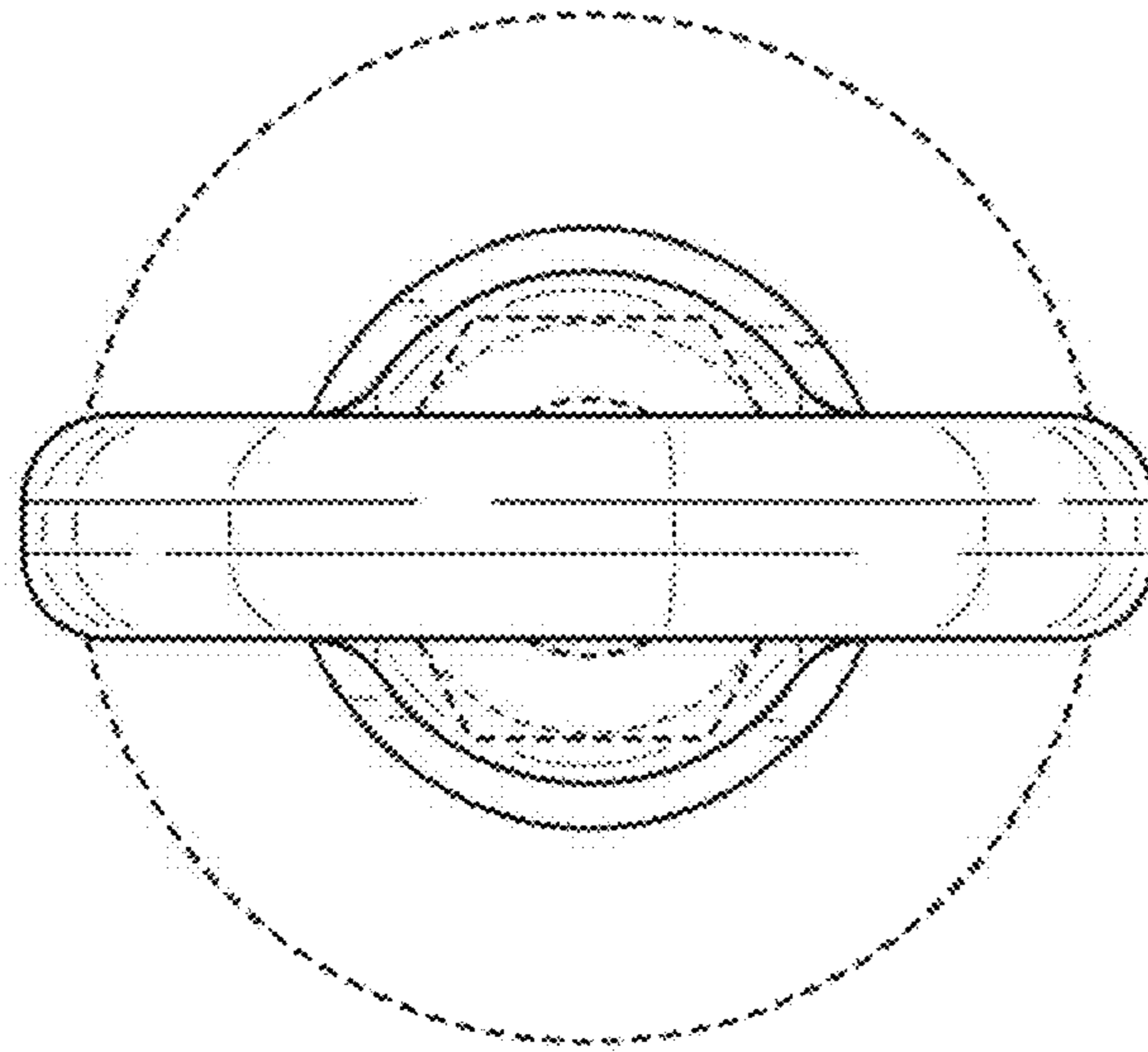


FIG. 5

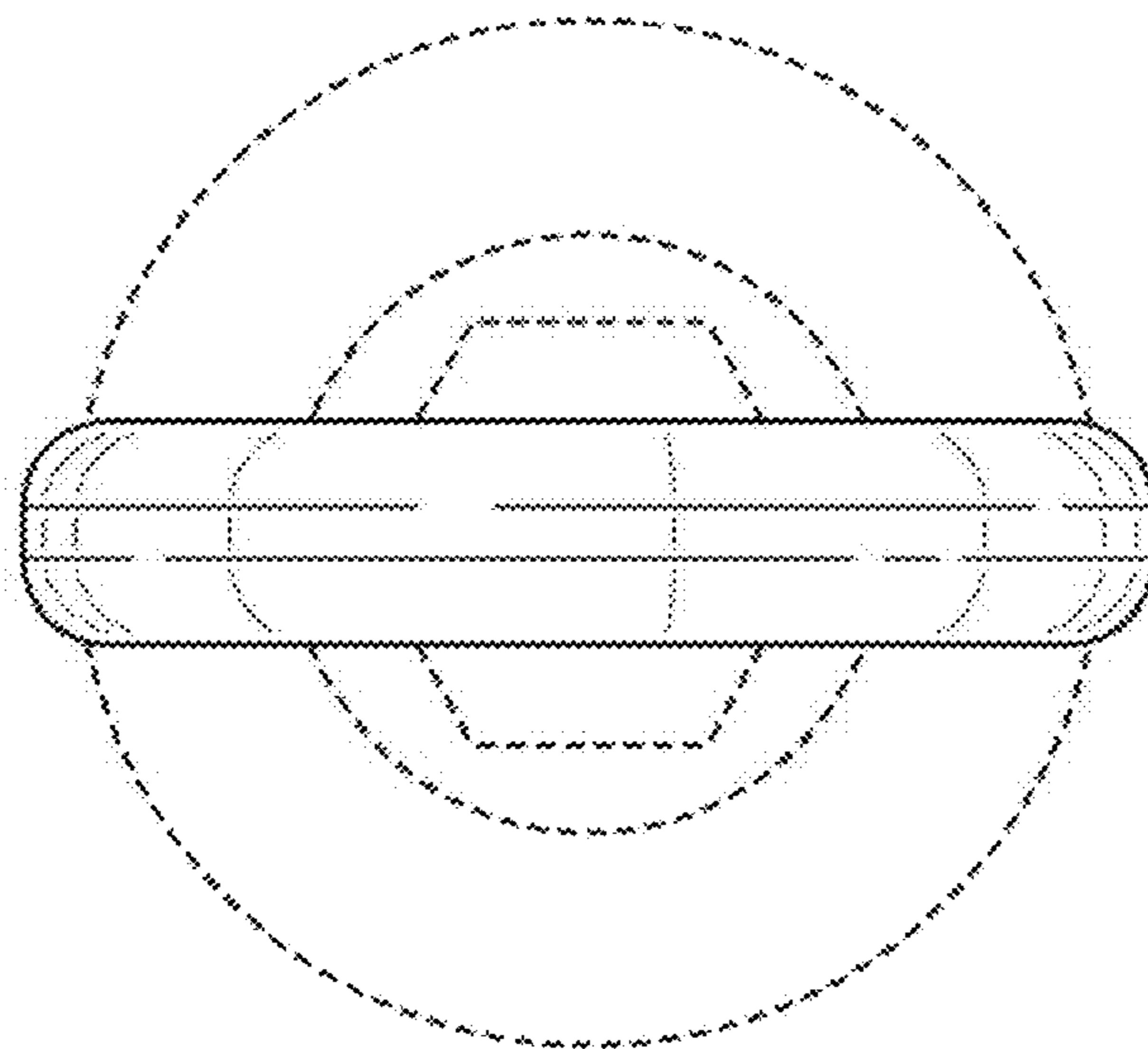


FIG. 4

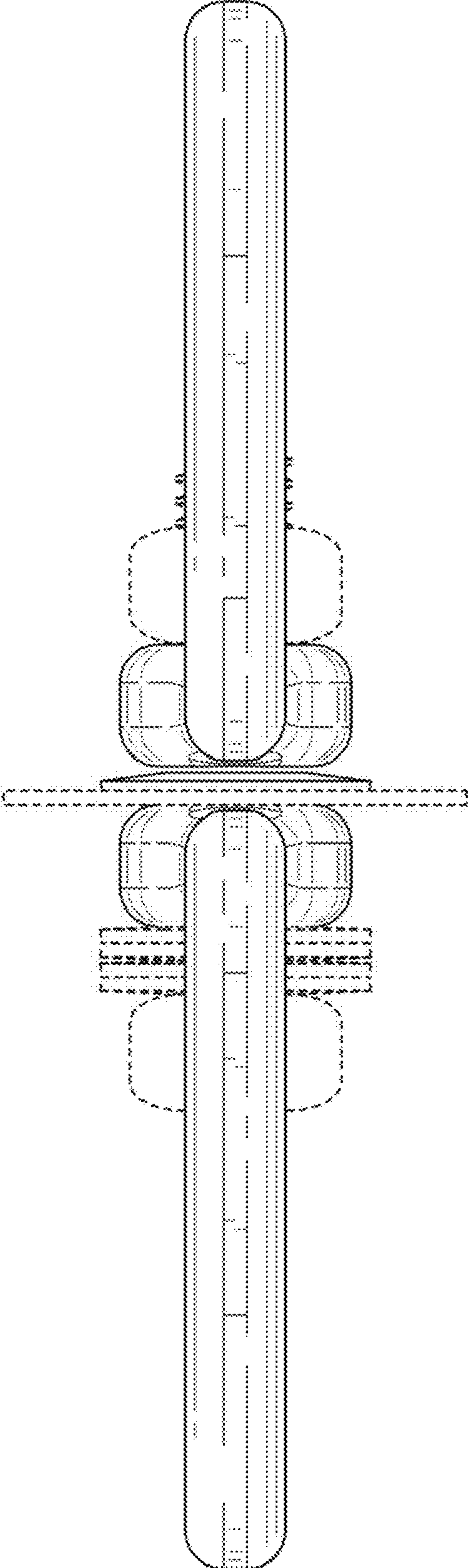


FIG. 6

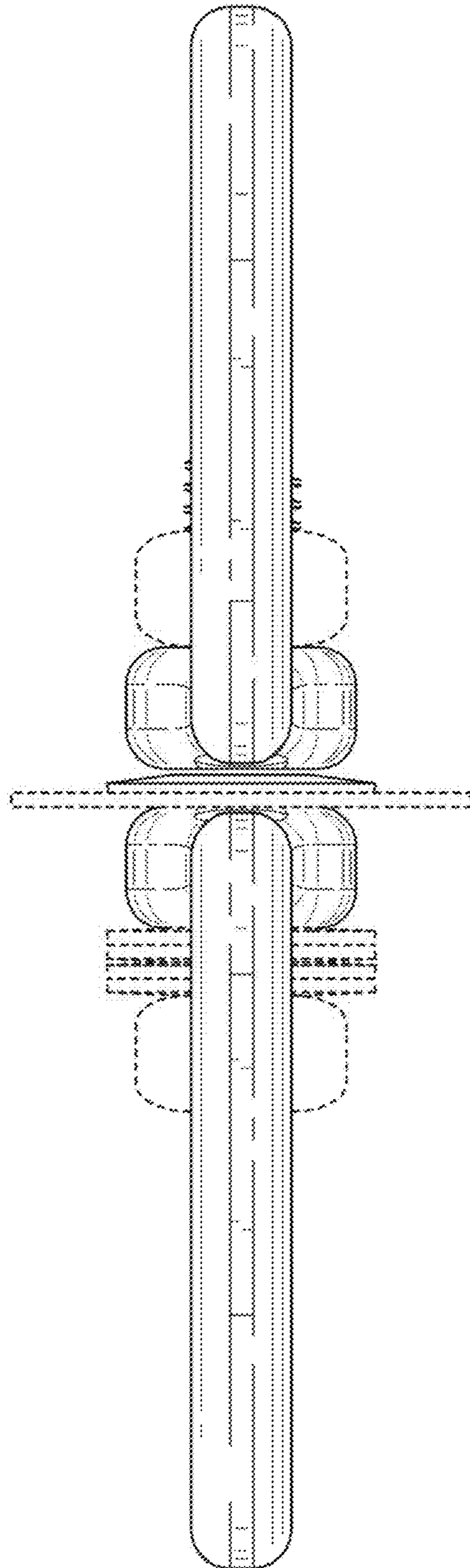


FIG. 7