



US00D848883S

(12) **United States Design Patent** (10) **Patent No.:** **US D848,883 S**  
**Matsumiya et al.** (45) **Date of Patent:** **\*\* May 21, 2019**

(54) **HARDNESS TESTER**

(71) Applicant: **MITUTOYO CORPORATION**,  
Kawasaki, Kanagawa (JP)  
(72) Inventors: **Sadayuki Matsumiya**, Sagamihara  
(JP); **Yoshiro Asano**, Tokyo (JP);  
**Masaru Kawazoe**, Kure (JP);  
**Fumihiko Koshimizu**, Zama (JP);  
**Shigeru Ohtani**, Kawasaki (JP); **Yu**  
**Sugai**, Hadano (JP)  
(73) Assignee: **MITUTOYO CORPORATION**,  
Kawasaki (JP)

(\*\*) Term: **15 Years**

(21) Appl. No.: **29/633,004**

(22) Filed: **Jan. 11, 2018**

(30) **Foreign Application Priority Data**

Jul. 14, 2017 (JP) ..... 2017-015272

(51) **LOC (11) Cl.** ..... **10-04**

(52) **U.S. Cl.**  
USPC ..... **D10/83**; D10/63

(58) **Field of Classification Search**  
USPC ..... D10/63, 83, 84, 85  
CPC ..... G01N 3/40; G01N 3/405; G01N 3/42;  
G01N 3/44; G01N 3/46; G01N 3/48;  
G01N 3/50; G01N 3/52; G01N 3/54;  
G01N 3/00; G01N 3/08; G01N 3/10;  
G01N 3/12; G01N 3/14; G01N 3/16;  
G01N 3/30; G01N 3/32; G01B 2203/00;  
G01B 2203/0001; G01B 2203/0003;  
G01B 2203/0005; G01B 2203/001; G01B  
2203/0012; G01B 2203/0014; G01B  
2203/0016; G01B 2203/0017; G01B  
2203/0019; G01B 2203/0076

See application file for complete search history.

(56) **References Cited**

U.S. PATENT DOCUMENTS

4,442,705 A \* 4/1984 Lang ..... G01N 3/42  
73/83  
D283,599 S 4/1986 Biddle, Jr. et al.  
D356,515 S 3/1995 Fukumoto et al.  
D394,015 S 5/1998 Kellstedt, Jr. et al.  
D704,582 S 5/2014 Muraoka et al.  
D719,039 S \* 12/2014 Chang ..... D10/63  
D731,904 S \* 6/2015 Stohr ..... D10/63  
D783,424 S \* 4/2017 Matsumiya ..... D10/63  
2014/0182364 A1\* 7/2014 Koshimizu ..... G01N 3/42  
73/81  
2017/0248415 A1\* 8/2017 Matsumiya ..... G01B 5/012

OTHER PUBLICATIONS

“Rockwell Hardness Testing Machines, HR-300/400/500 Series,”  
Mitutoyo, Bulletin No. 2025(3), Jun. 2017, pp. 1-8.

\* cited by examiner

*Primary Examiner* — Antoine Duval Davis  
(74) *Attorney, Agent, or Firm* — Oliff PLC

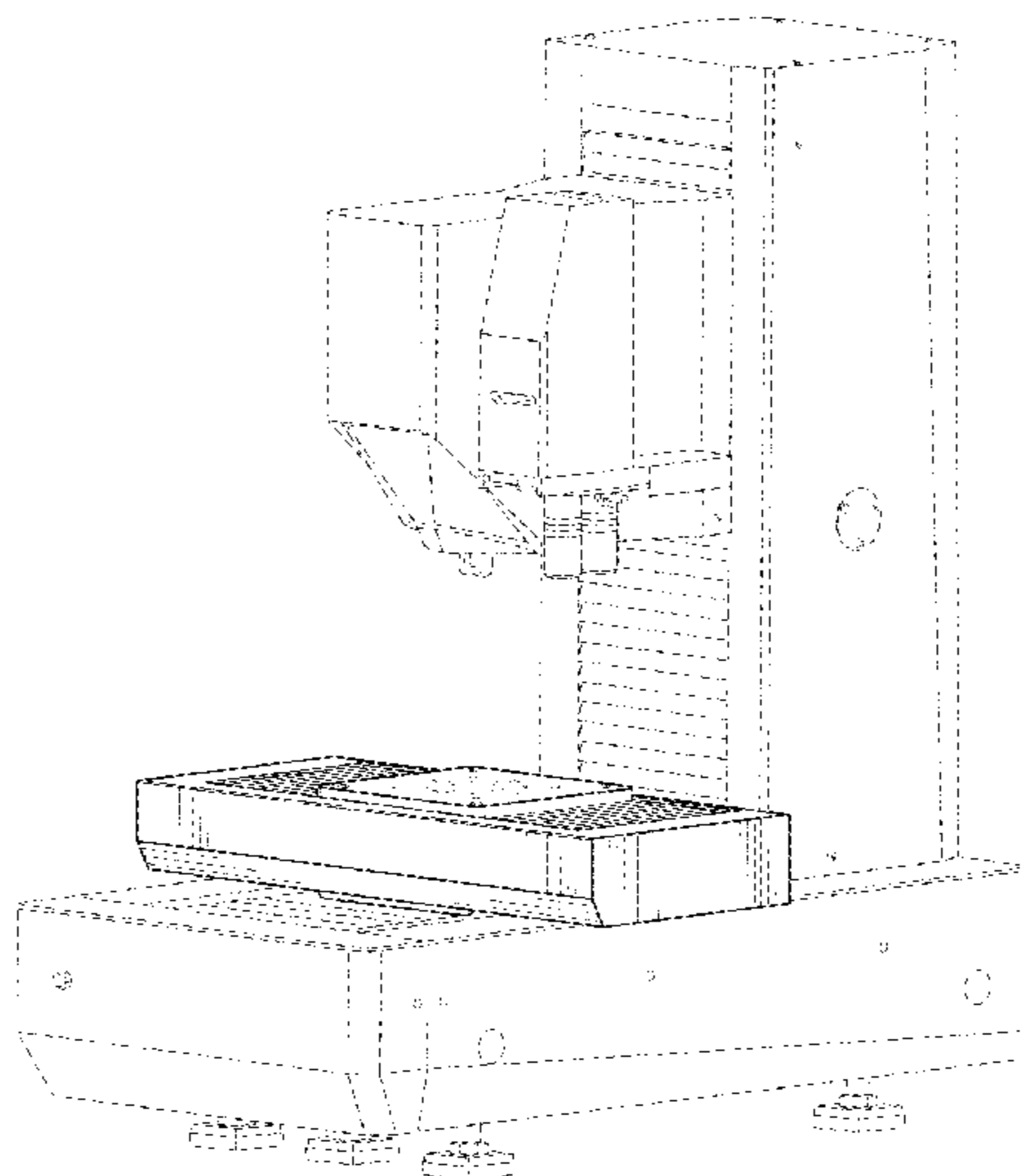
(57) **CLAIM**

The ornamental design for a hardness tester, as shown and  
described.

**DESCRIPTION**

FIG. 1 is a front, right-side, top perspective view of the  
hardness tester;  
FIG. 2 is a front elevational view thereof;  
FIG. 3 is a top plan view thereof;  
FIG. 4 is a right-side elevational view thereof;  
FIG. 5 is a left-side elevational view thereof;  
FIG. 6 is a rear elevational view thereof; and,  
FIG. 7 is a bottom plan view thereof.  
The broken lines depict unclaimed parts of the hardness  
tester, and thus form no part of the claimed design.

**1 Claim, 7 Drawing Sheets**



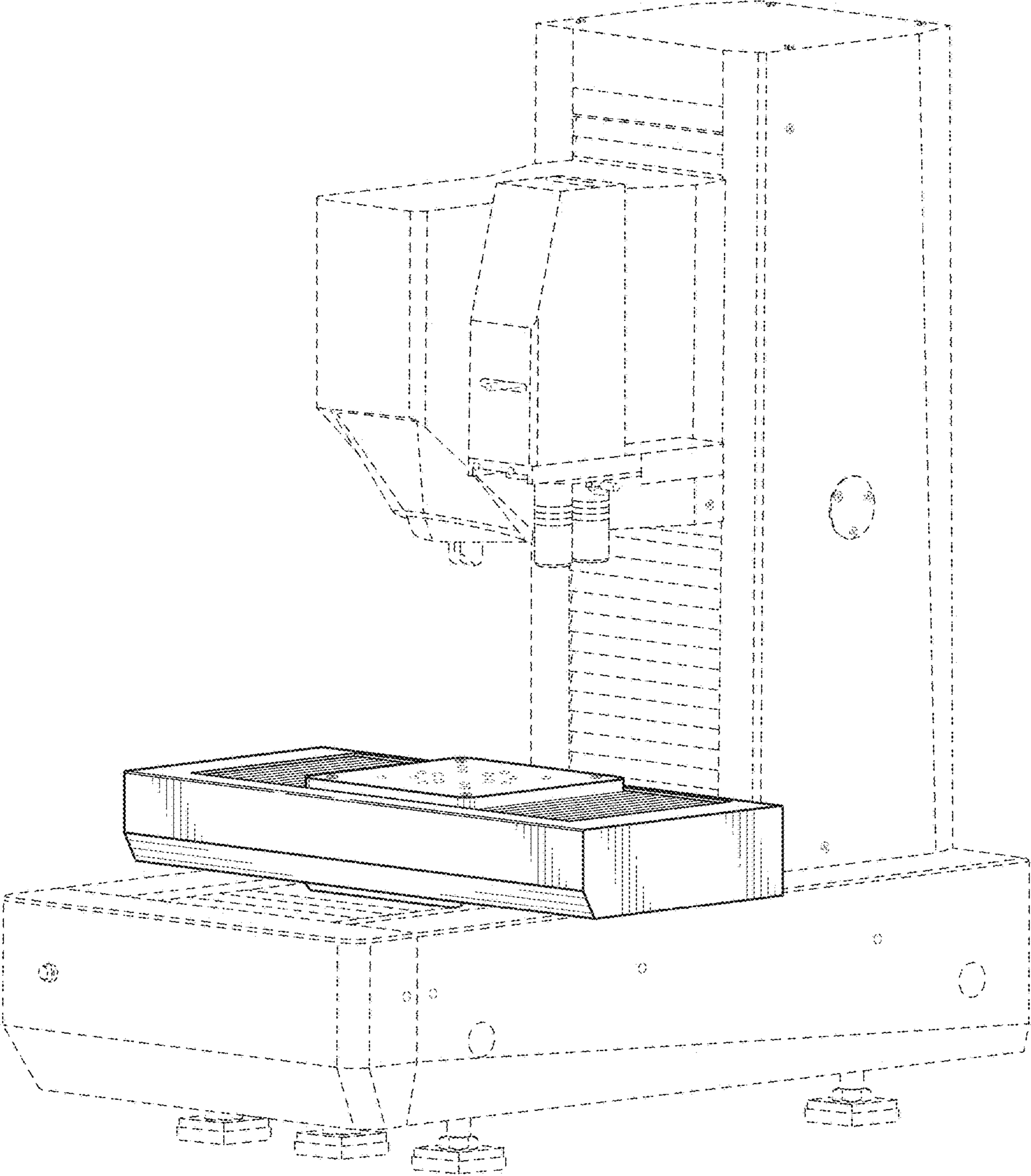


FIG. 1

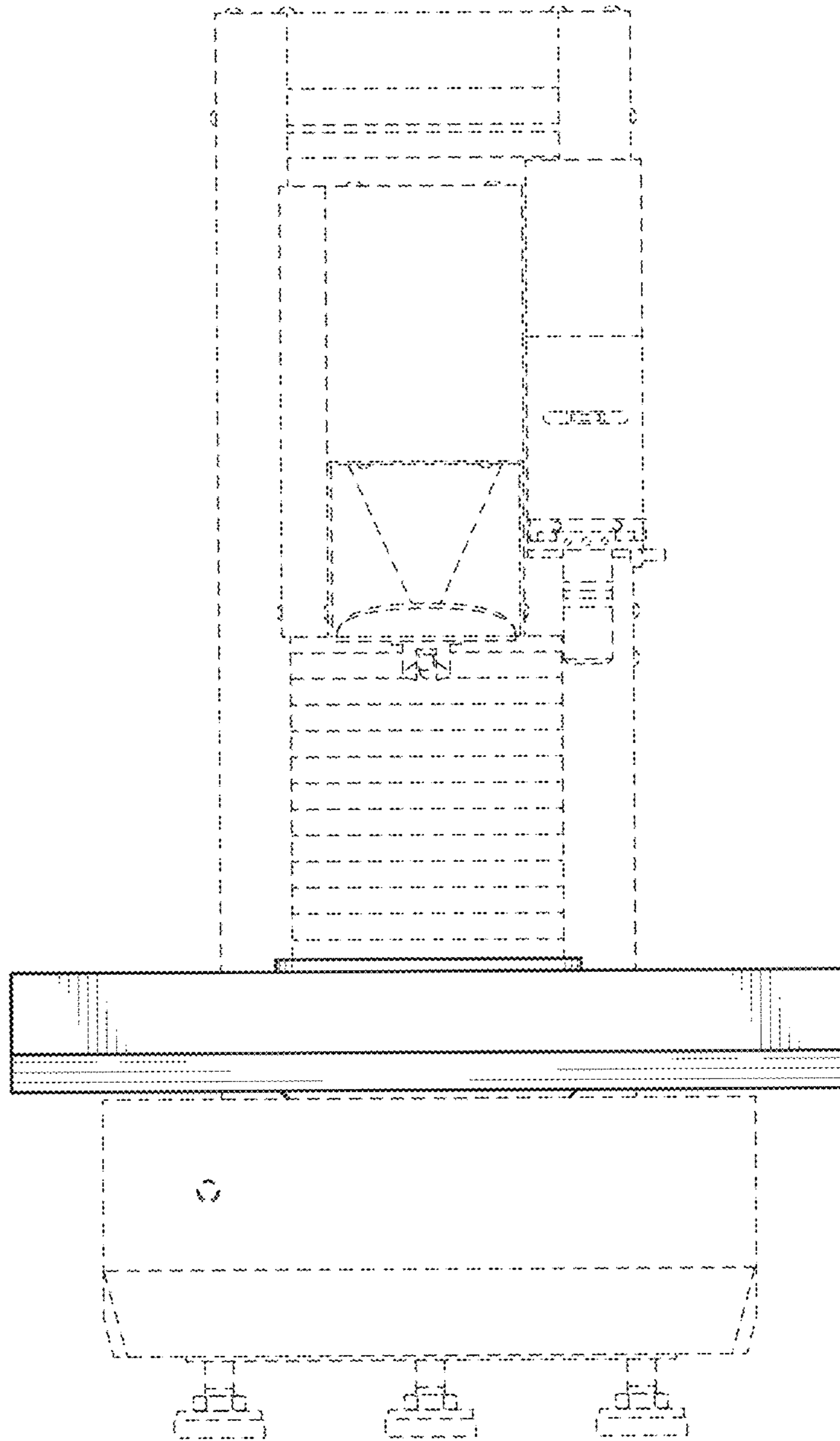


FIG. 2

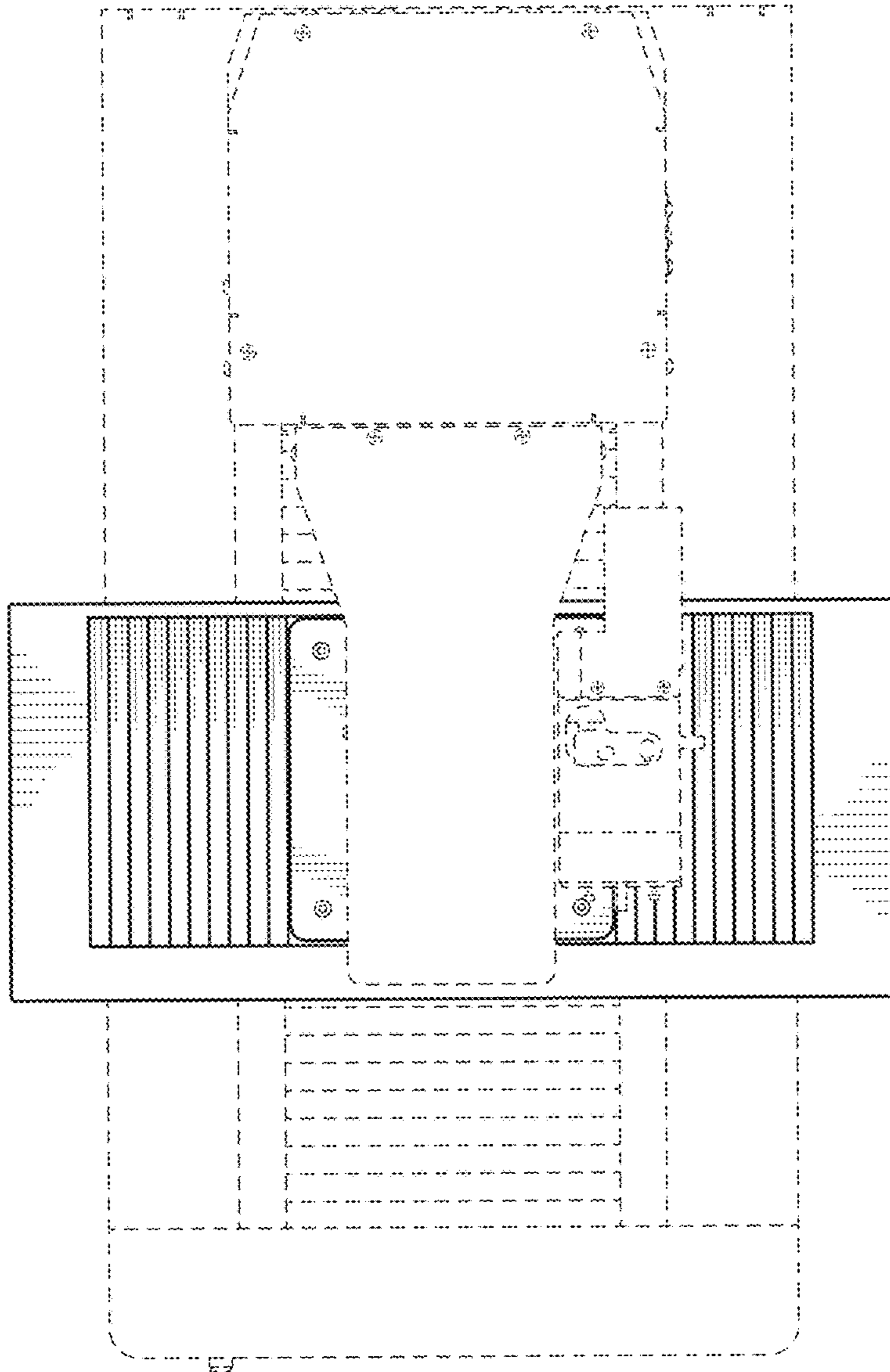


FIG. 3

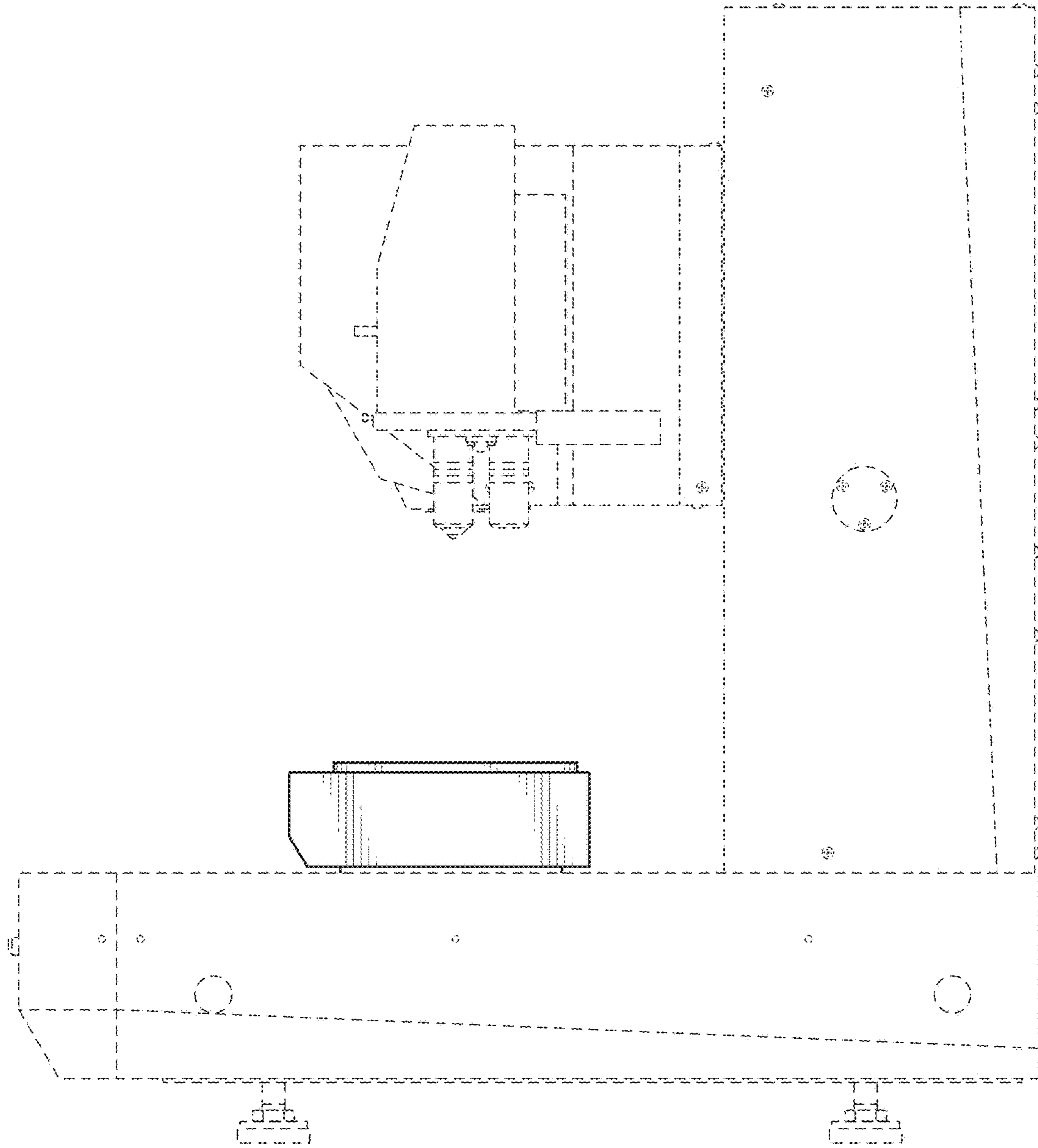


FIG. 4

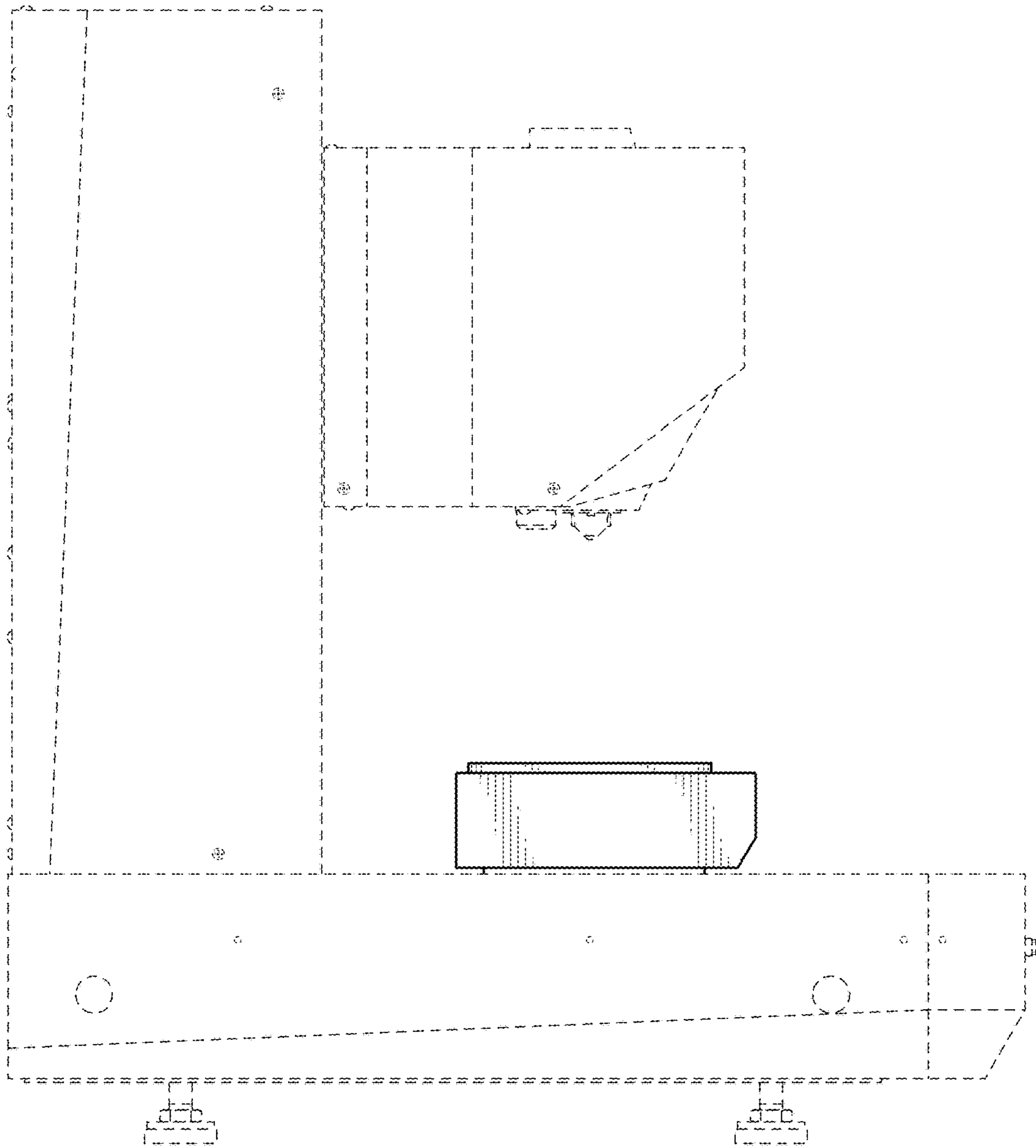


FIG. 5

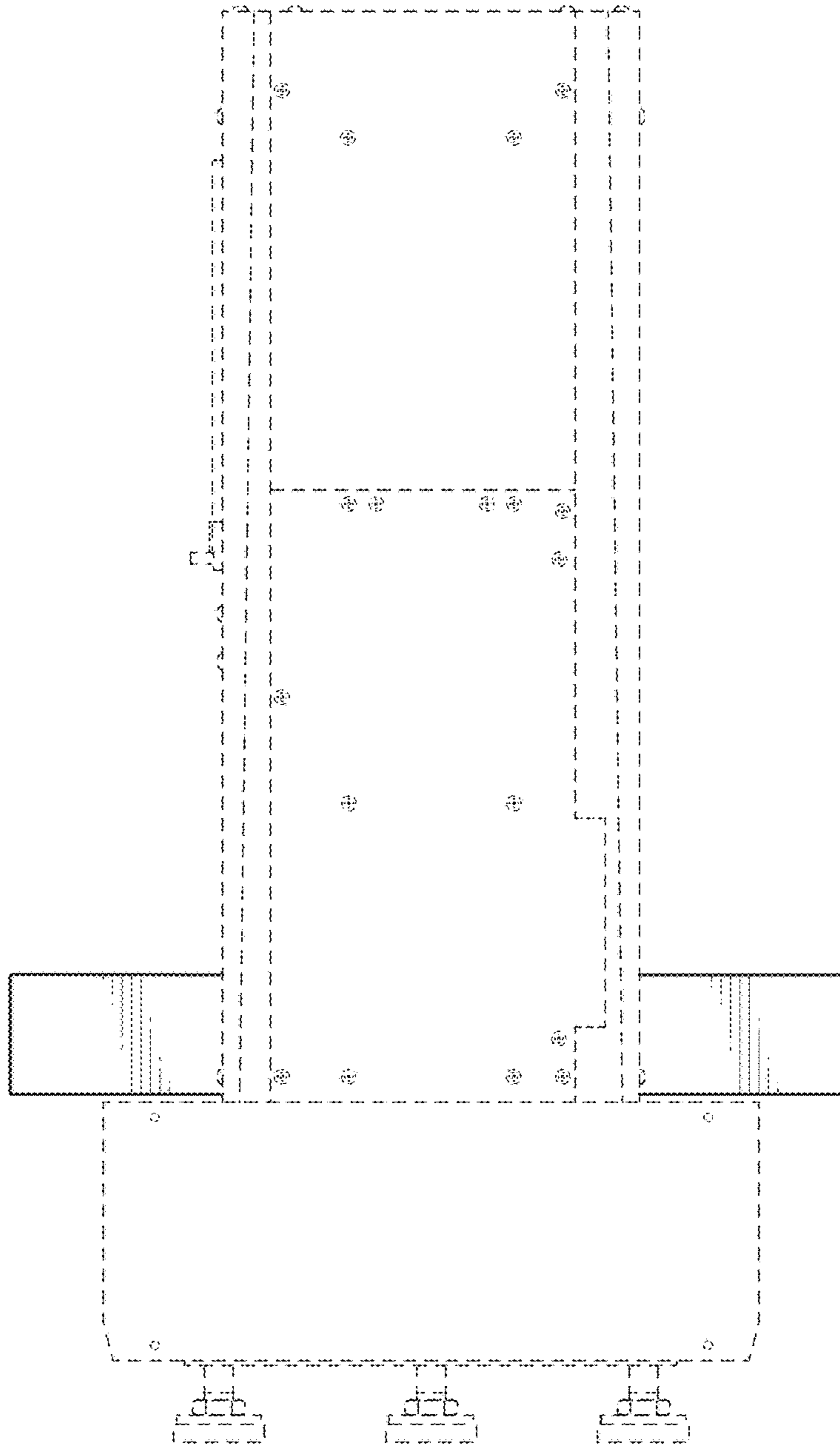


FIG. 6

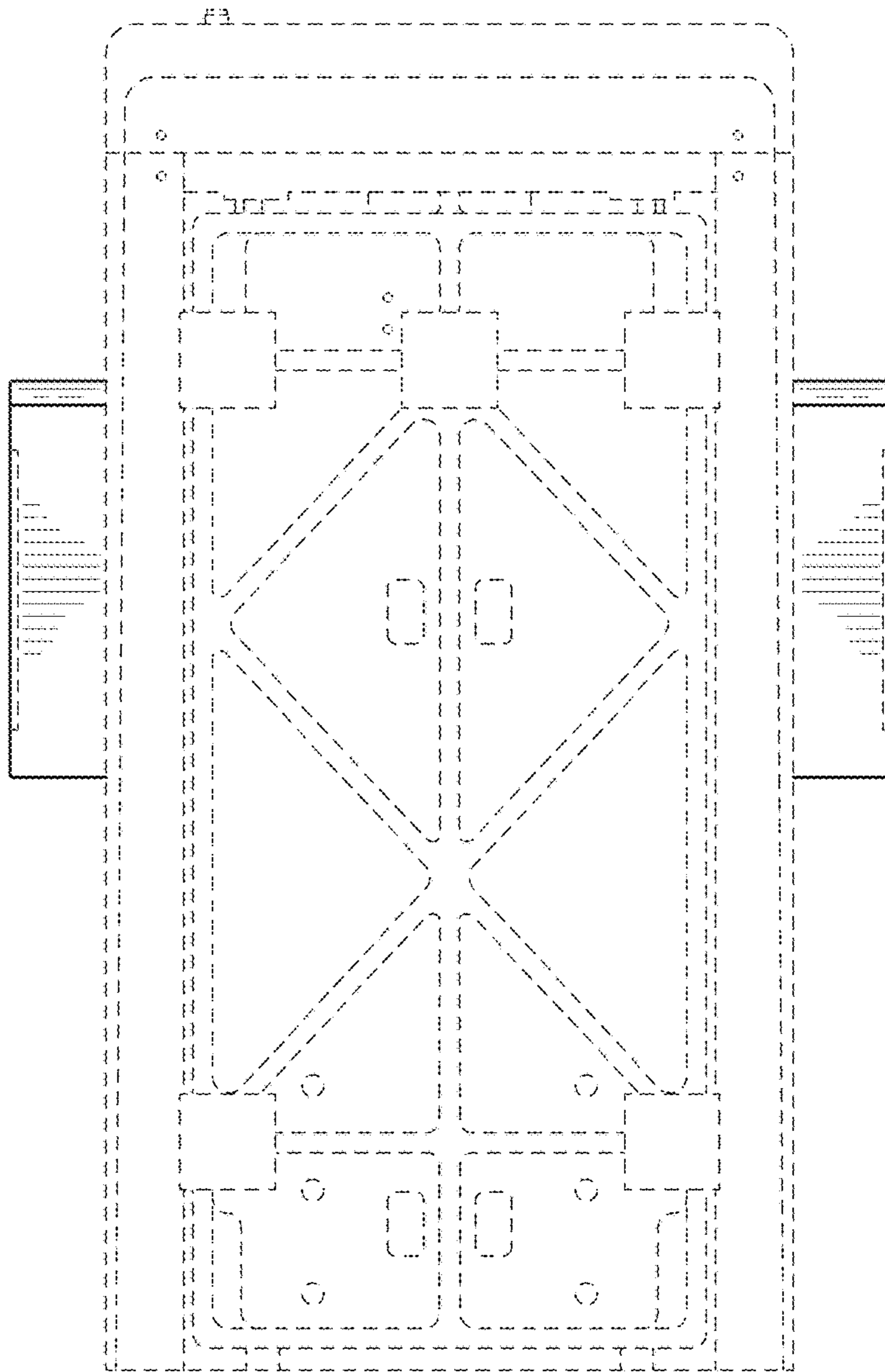


FIG. 7