



US00D848881S

(12) **United States Design Patent** (10) **Patent No.:** **US D848,881 S**
Huang et al. (45) **Date of Patent:** **** May 21, 2019**

(54) **DIAGNOSTIC TEST DEVICE** 2021/0106–2021/9586; G01N 35/00–35/1097; G01N 2035/00019–2035/1093; G01N 2204/022–2204/0228

(71) Applicant: **GUANGZHOU WONDFO BIOTECH CO., LTD.**, Guangzhou (CN)

See application file for complete search history.

(72) Inventors: **Renhong Huang**, Guangzhou (CN); **Weiliang Liang**, Guangzhou (CN); **Haisheng Hu**, Guangzhou (CN); **Jihua Wang**, Guangzhou (CN)

(56) **References Cited**

U.S. PATENT DOCUMENTS

(73) Assignee: **Guangzhou Wondfo Biotech Co., Ltd.**, Guangzhou (CN)

D687,968 S * 8/2013 Trigg D24/232

* cited by examiner

(**) Term: **15 Years**

Primary Examiner — Antoine Duval Davis

(21) Appl. No.: **29/624,348**

(74) *Attorney, Agent, or Firm* — Seyfarth Shaw LLP

(22) Filed: **Oct. 31, 2017**

(57) **CLAIM**

The ornamental design for a diagnostic test device, as shown and described.

(30) **Foreign Application Priority Data**

DESCRIPTION

May 17, 2017 (CN) 2017 3 0182809

(51) **LOC (11) Cl.** **10-04**

FIG. 1 is a perspective view of a diagnostic test device showing our new design;

(52) **U.S. Cl.**

FIG. 2 is a Front View thereof;

USPC **D10/81; D24/216**

FIG. 3 is a Rear View thereof;

(58) **Field of Classification Search**

FIG. 4 is a Left Side View thereof;

USPC D10/81; D24/185, 186, 216, 219, 223, D24/232, 233, 234

FIG. 5 is a Right Side View thereof;

CPC .. G01N 21/00; G01N 21/01; G01N 2201/022;

FIG. 6 is a Top View thereof; and,

G01N 2201/0221; G01N 2201/0222;

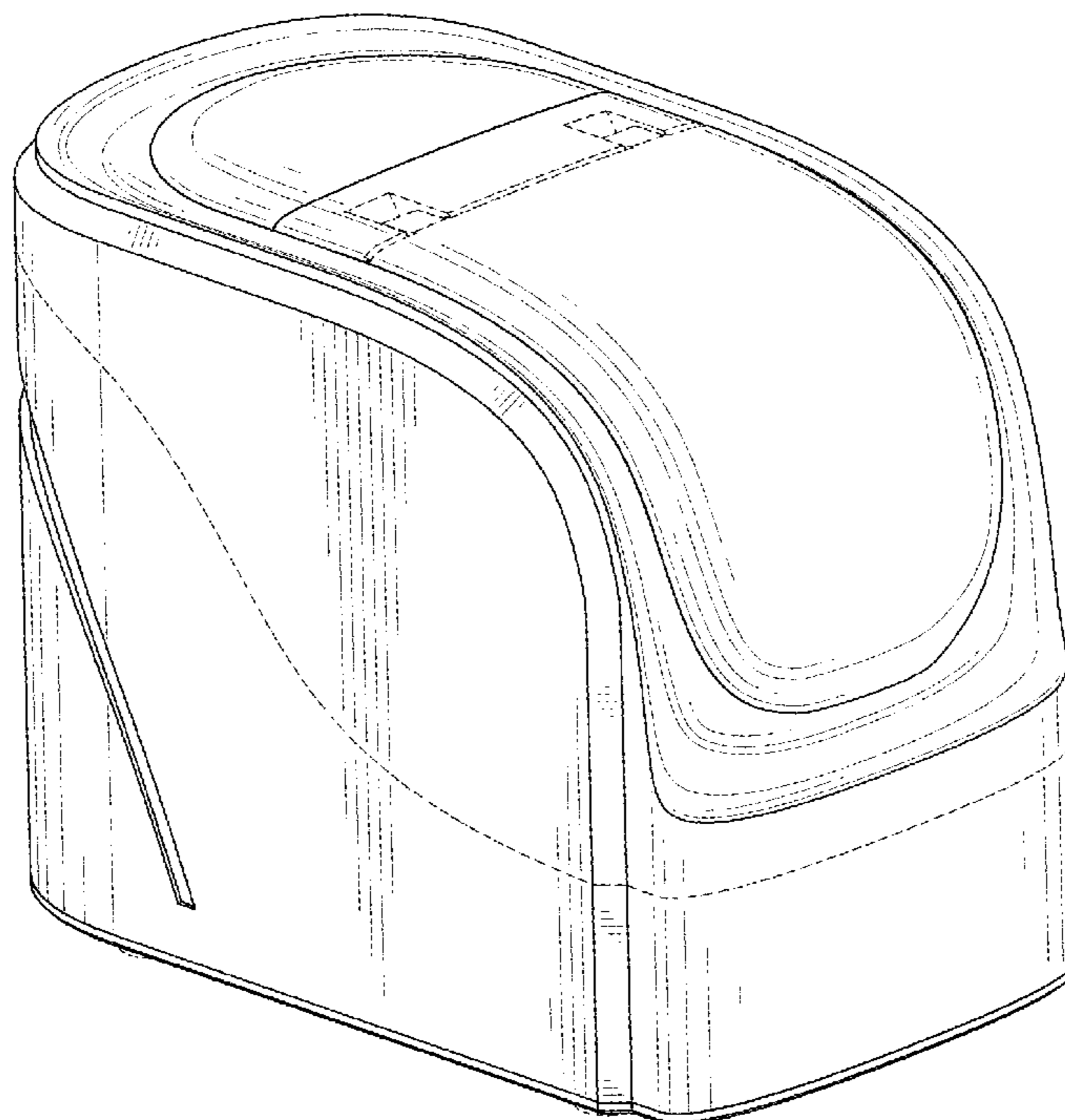
FIG. 7 is a Bottom View thereof.

G01N 2201/0224; G01N 2201/0225;

G01N 2201/0227; G01N 2201/0228; G01N 2201/024; G01N 2201/0245; G01N 2021/0112–21/958; G01N

The broken lines in the drawings shown represent portions of the diagnostic test device that form no part of the claimed design.

1 Claim, 7 Drawing Sheets



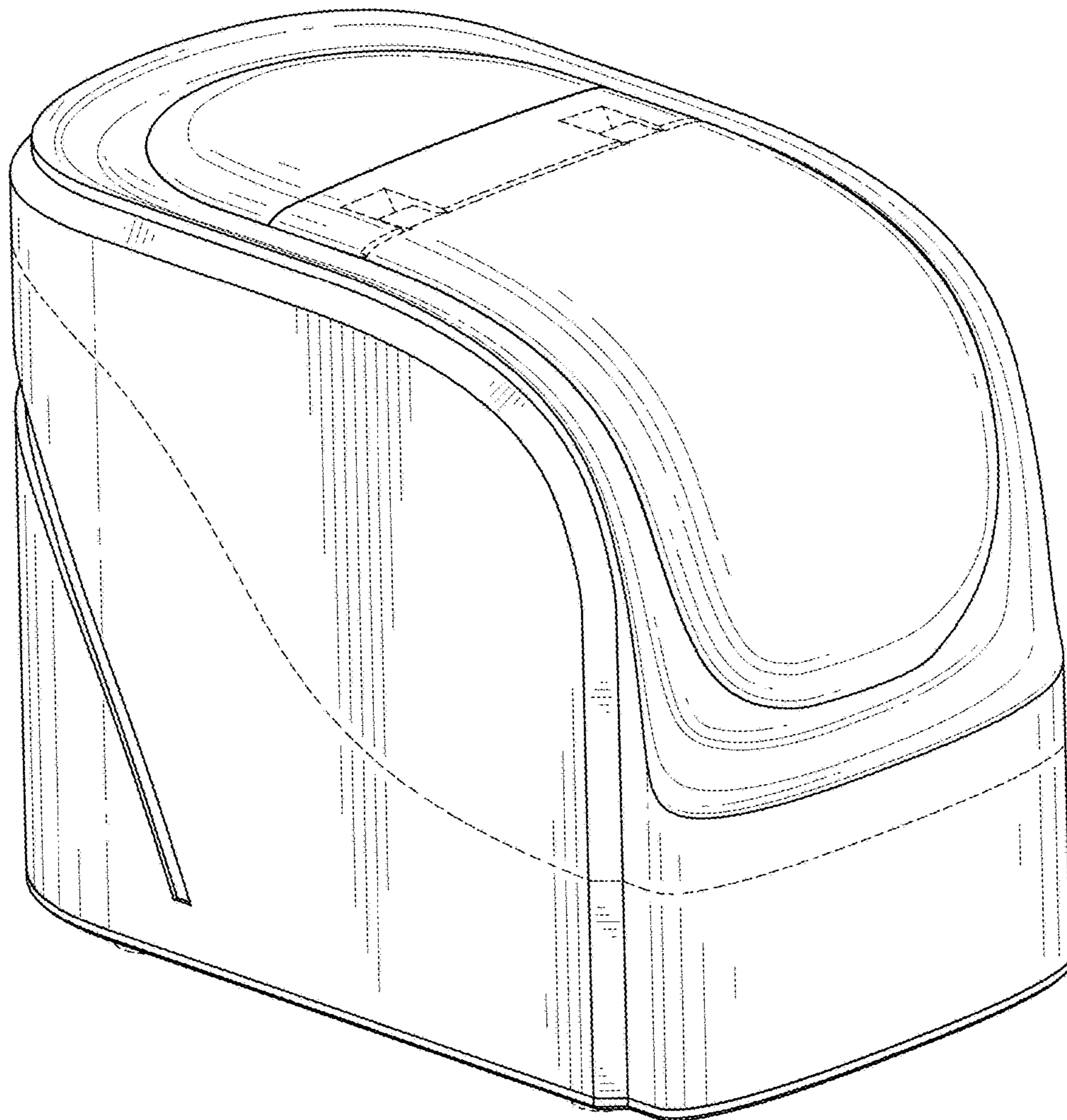


FIG. 1

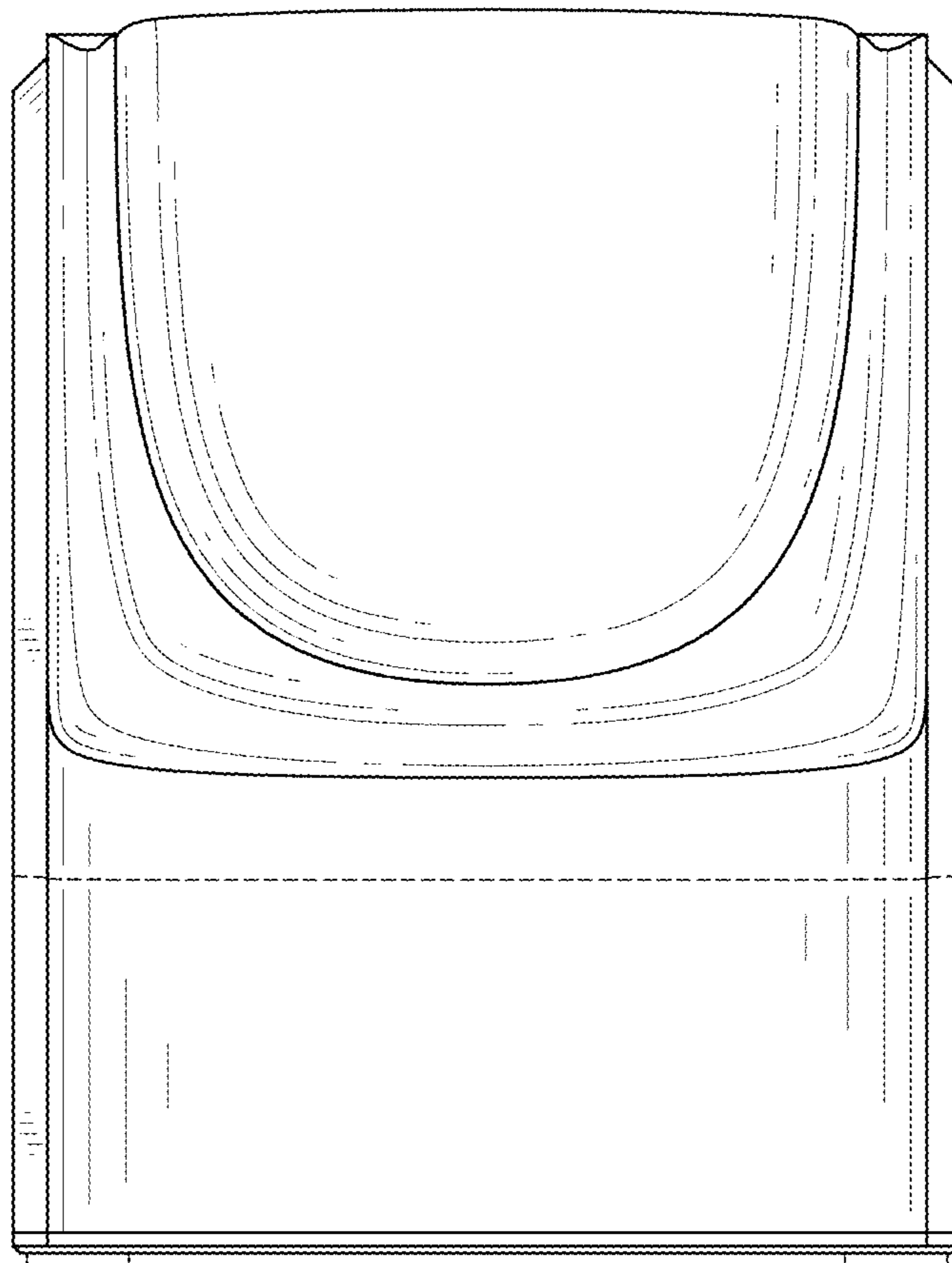


FIG. 2

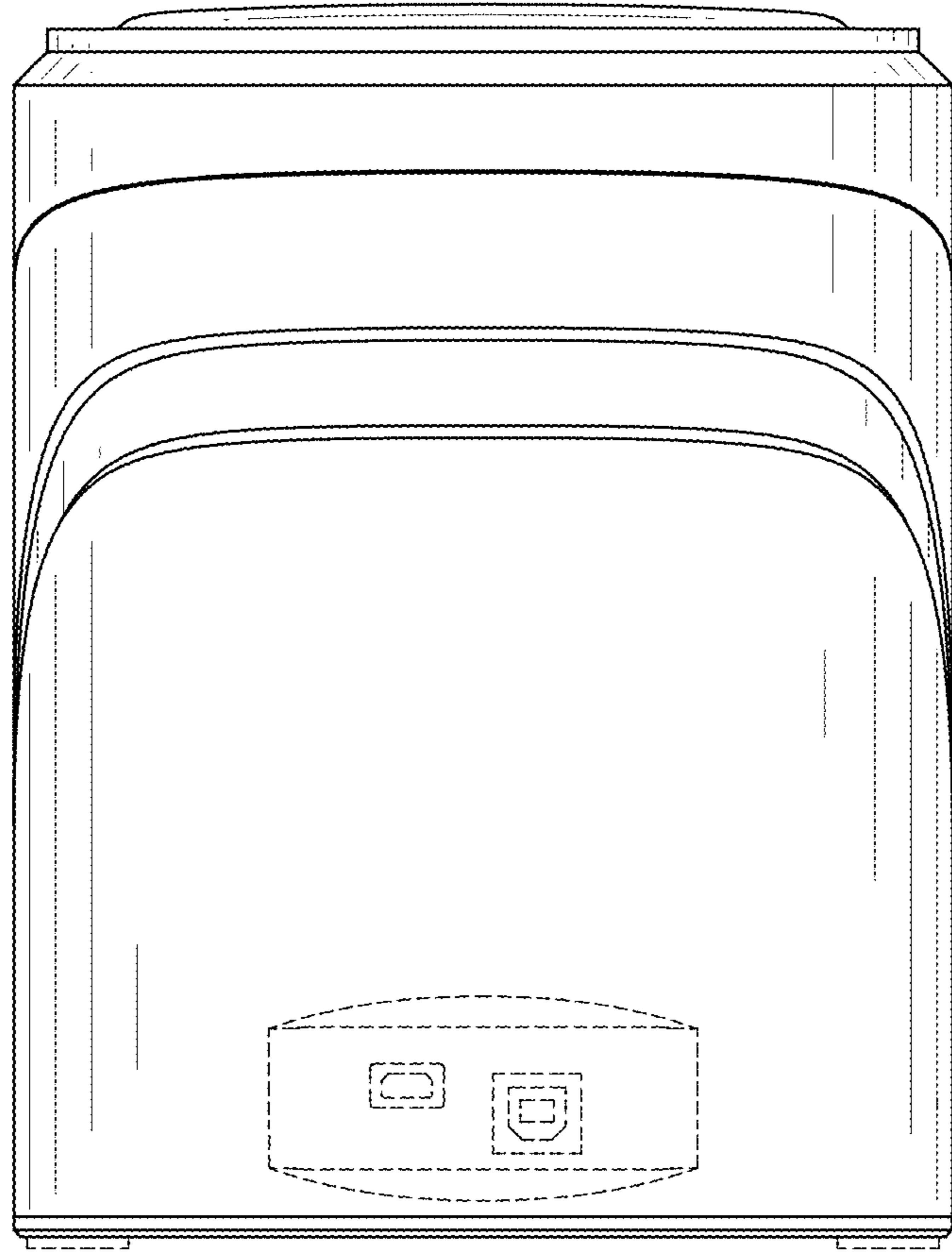


FIG. 3

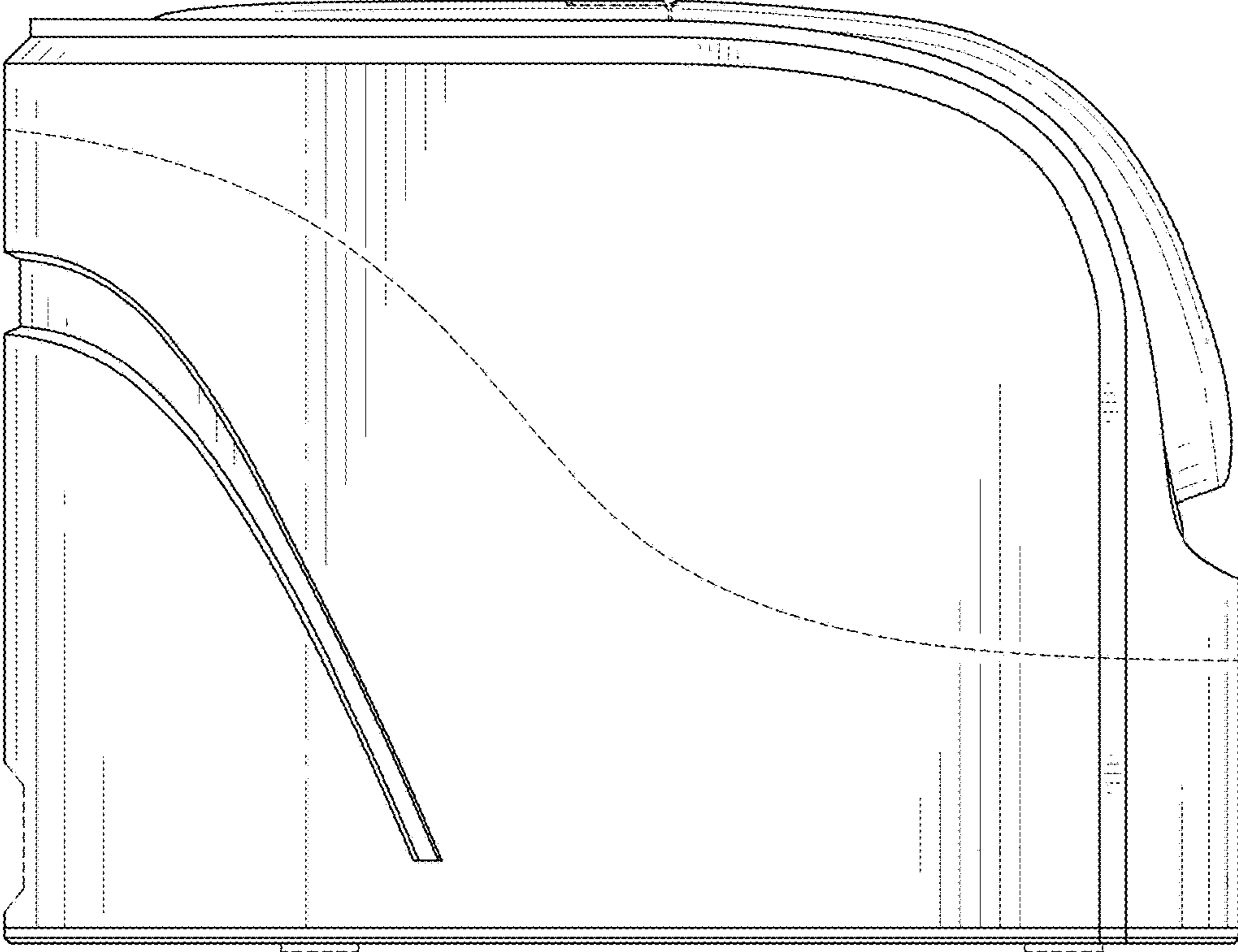


FIG. 4

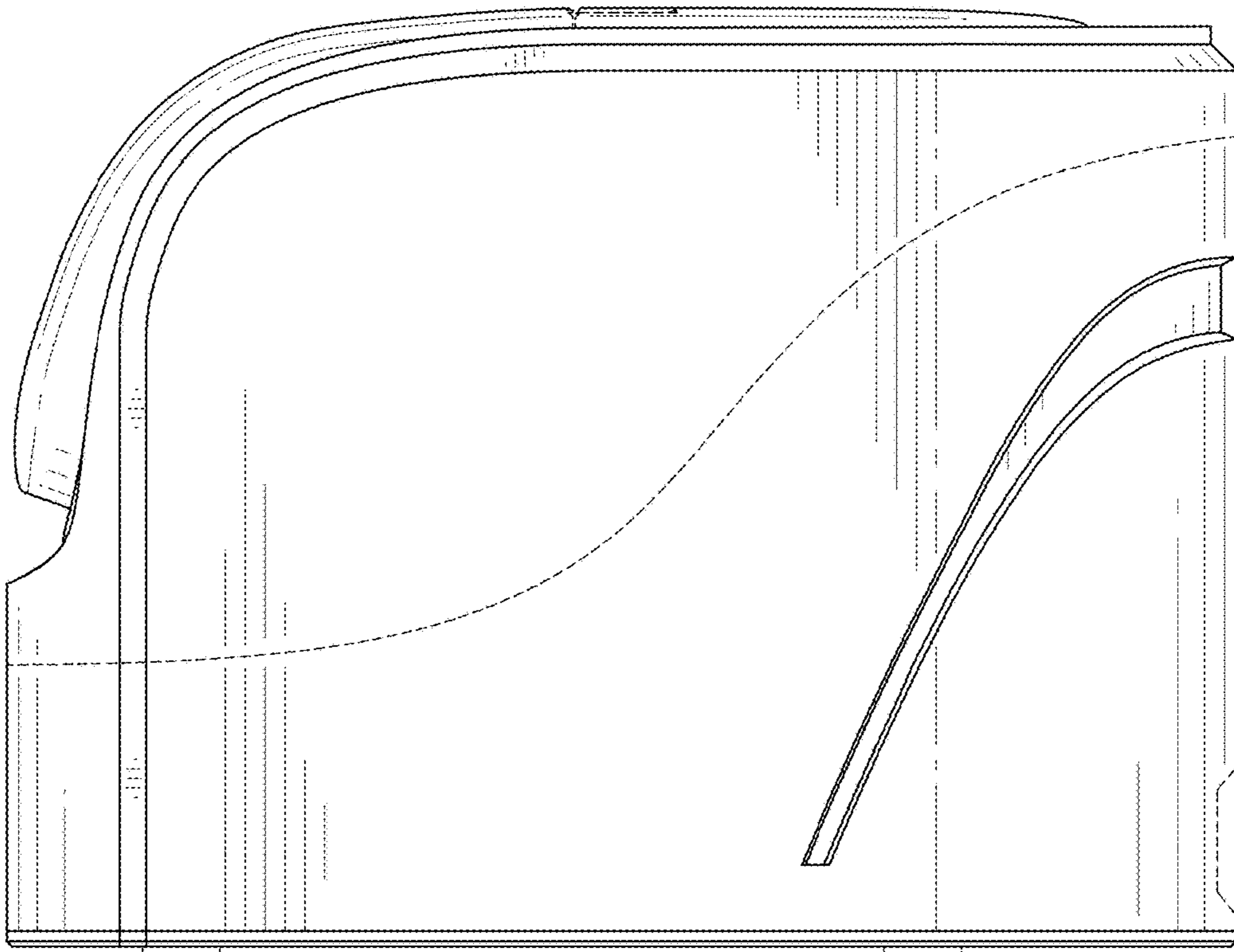


FIG. 5

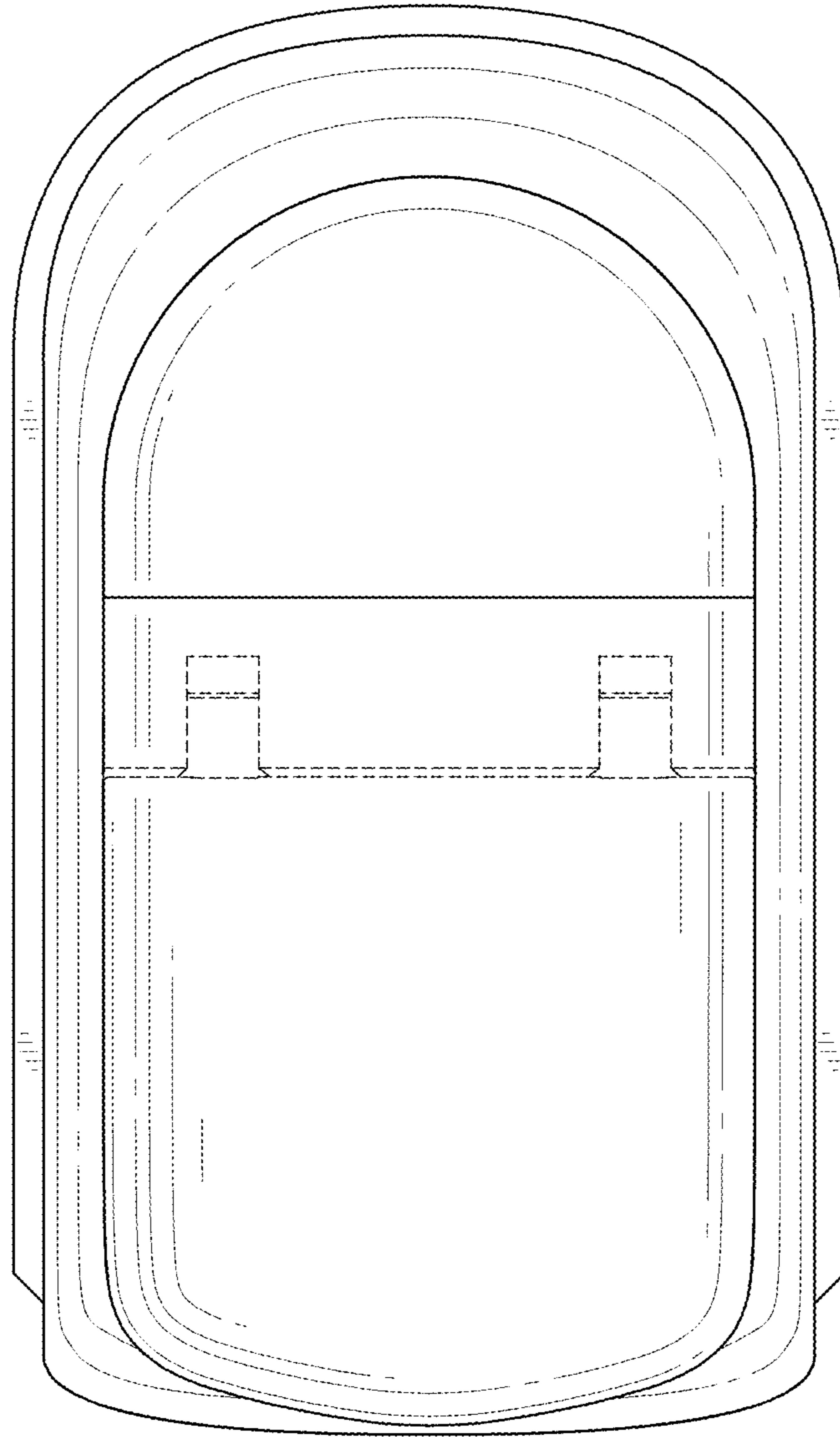


FIG. 6

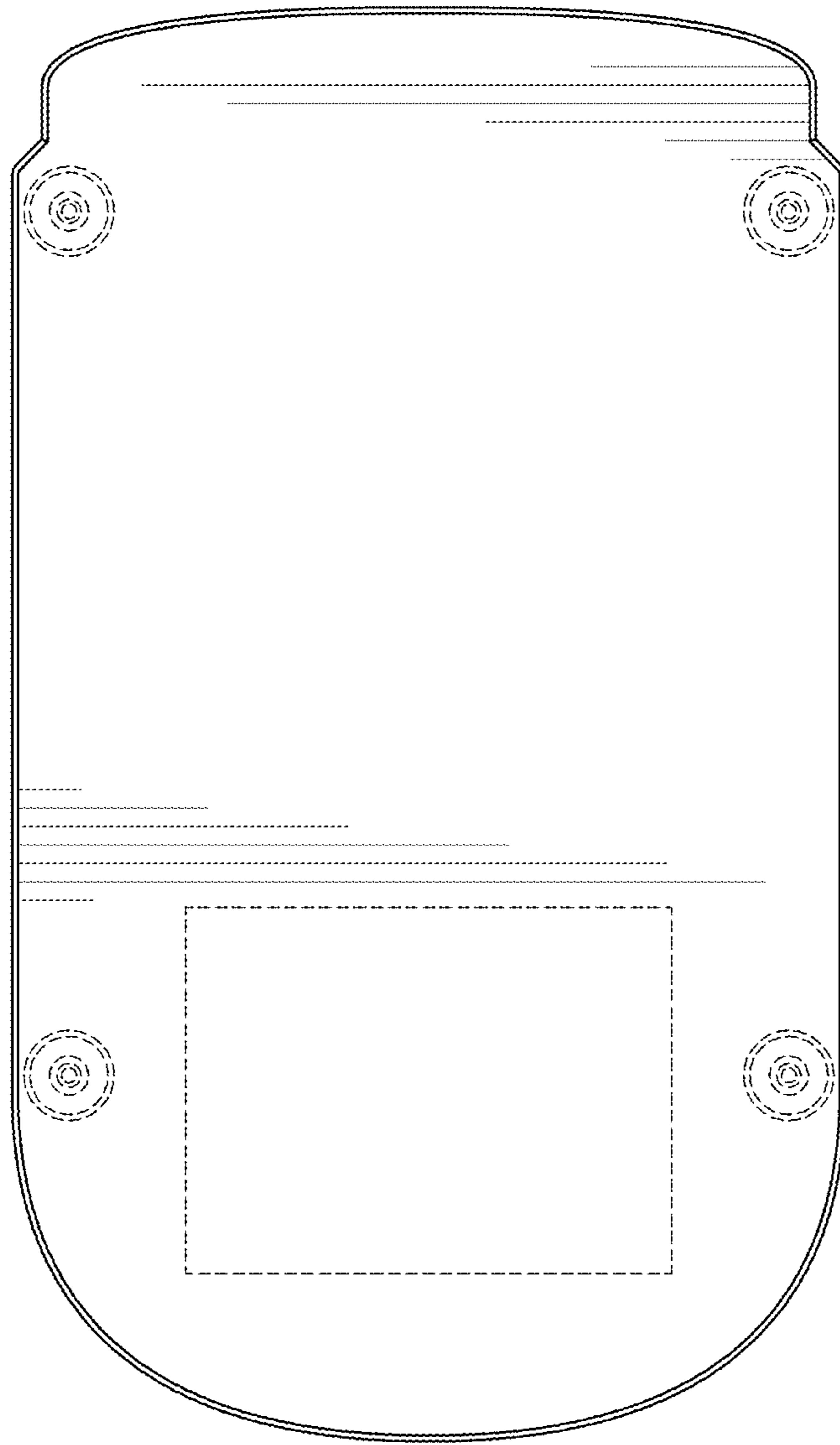


FIG. 7