



US00D848879S

(12) **United States Design Patent** (10) **Patent No.:** **US D848,879 S**
Souillard (45) **Date of Patent:** **** May 21, 2019**

(54) **APPARATUS FOR MEASURING ELECTRICAL PARAMETERS**

(71) Applicant: **CHAUVIN ARNOUX**, Paris (FR)

(72) Inventor: **Alexandre Souillard**, Paris (FR)

(73) Assignee: **CHAUVIN ARNOUX**, Paris (FR)

(**) Term: **15 Years**

(21) Appl. No.: **29/626,107**

(22) Filed: **Nov. 15, 2017**

(51) **LOC (11) Cl.** **10-04**

(52) **U.S. Cl.**
 USPC **D10/79**

(58) **Field of Classification Search**
 USPC D10/79
 CPC G01R 1/04; G01R 1/0408; G01R 1/0416;
 G01R 1/0425; G01R 1/06; G01R 1/067;
 G01R 15/125; G01R 1/22; G01R 15/18;
 G01R 15/186; G01R 1/07; G01R
 1/16772; G01R 1/16788; G01R 1/06788;
 G01R 15/181; G01R 15/12; G01R 15/04;
 G01R 15/06; G01R 19/2503; G01R 1/20;
 G01R 1/203; G01R 1/206; G01R 1/24;
 G01R 1/26; G01R 31/3278; G01D 11/24;
 G01D 11/245; G01D 11/26; G06F 17/00
 See application file for complete search history.

(56) **References Cited**

U.S. PATENT DOCUMENTS

D374,405 S *	10/1996	Rawsthorne	D10/79
D472,829 S *	4/2003	Chang	D10/79
D640,152 S *	6/2011	Laurino	D10/79
8,856,555 B2 *	10/2014	Heydron	G08C 17/02 710/104
9,606,146 B2 *	3/2017	Bannister	G01R 15/12
9,791,479 B2 *	10/2017	Tierney	G01R 19/0092

* cited by examiner

Primary Examiner — Antoine Duval Davis
 (74) *Attorney, Agent, or Firm* — BakerHostetler

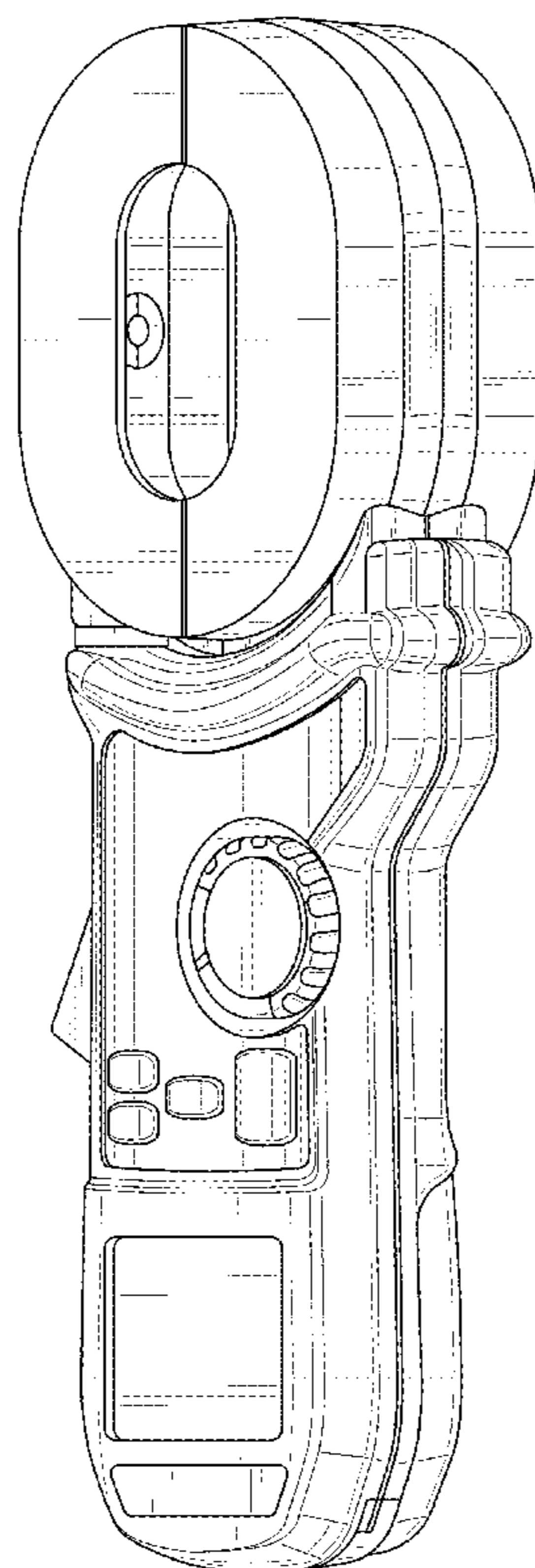
(57) **CLAIM**

I claim the ornamental design for an apparatus for measuring electrical parameters, as shown and described.

DESCRIPTION

FIG. 1 is a top perspective view of the apparatus for measuring electrical parameters showing my new design; FIG. 2 is a front side elevation view thereof; FIG. 3 is a rear side elevation view thereof; FIG. 4 is a left side elevation view thereof; FIG. 5 is a right side elevation view thereof; FIG. 6 is a top plan view thereof; and, FIG. 7 is a bottom plan view thereof.

1 Claim, 7 Drawing Sheets



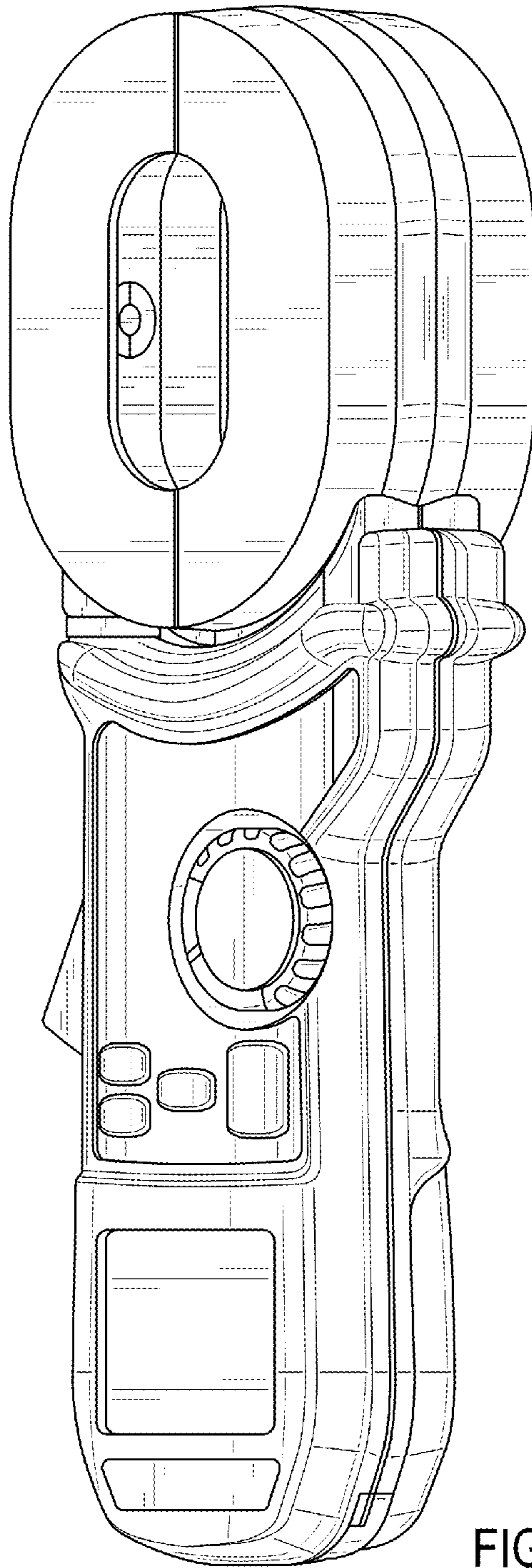


FIG. 1

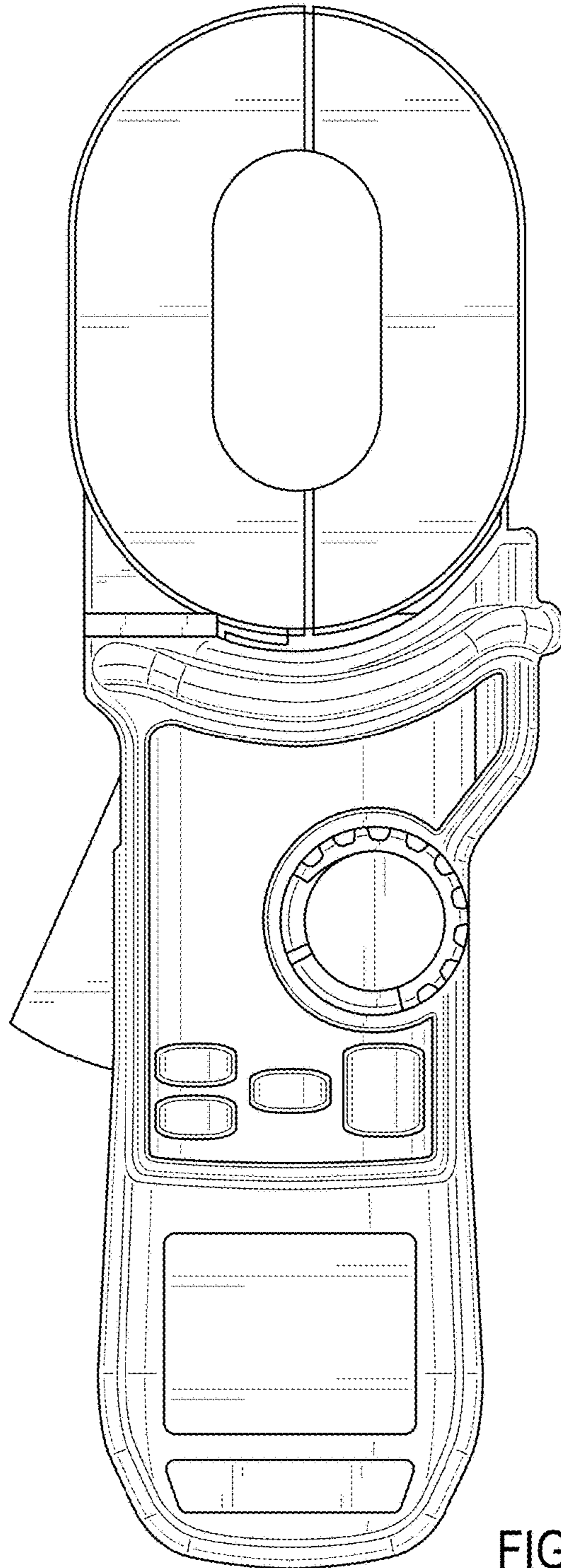


FIG. 2

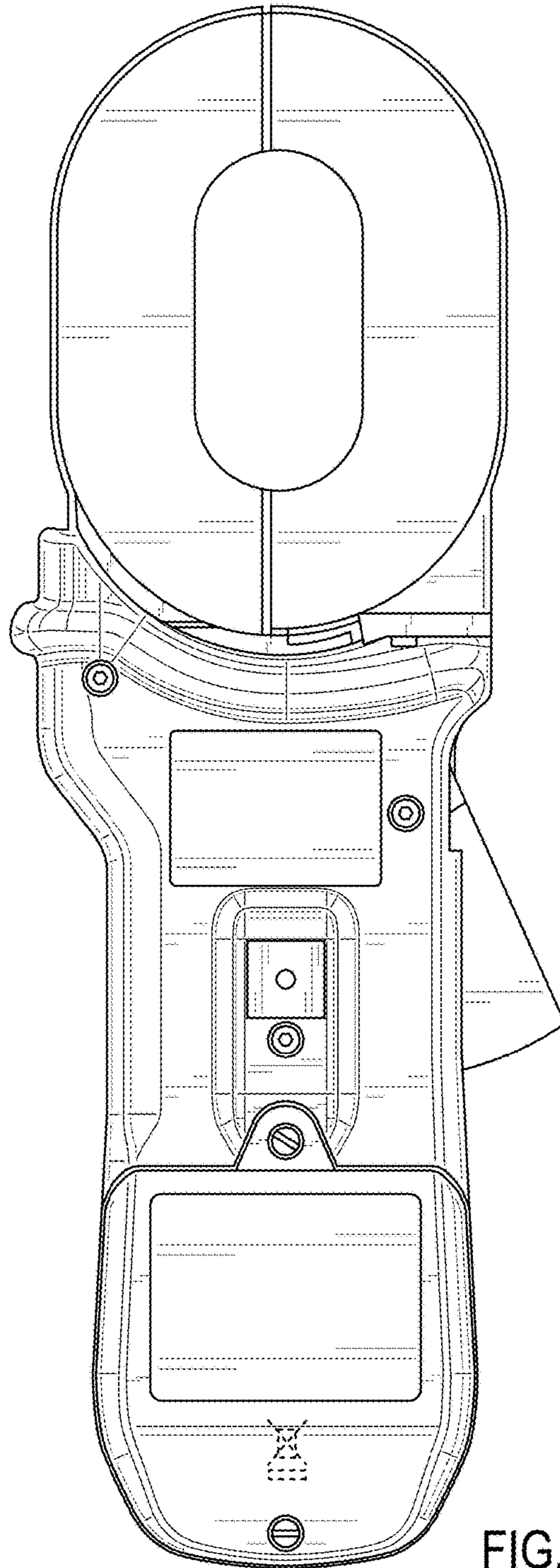


FIG. 3

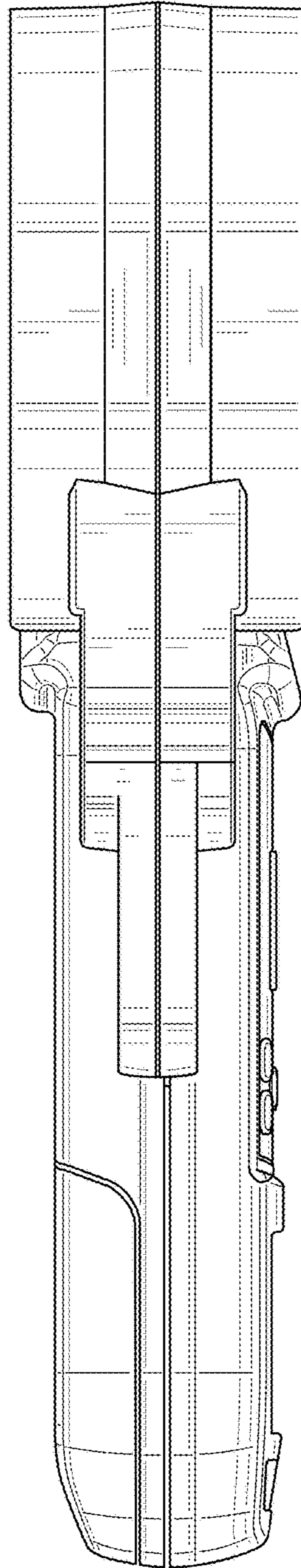


FIG. 4

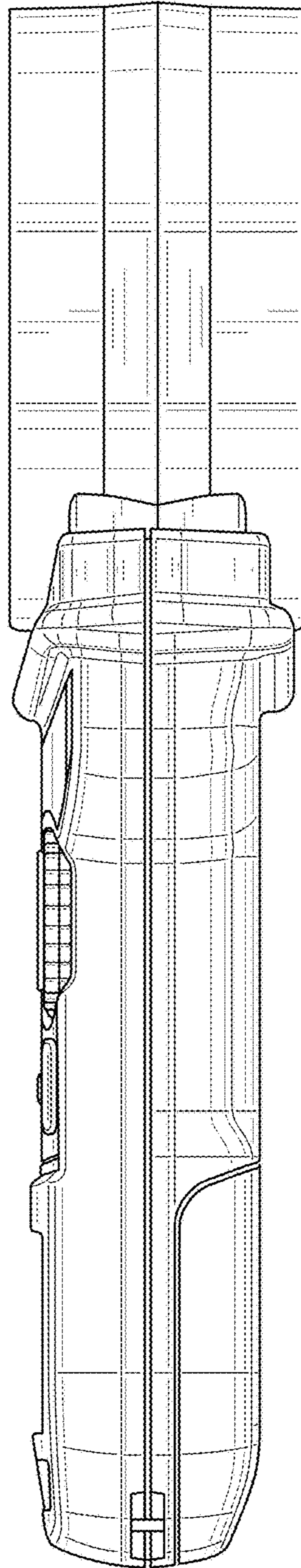


FIG. 5

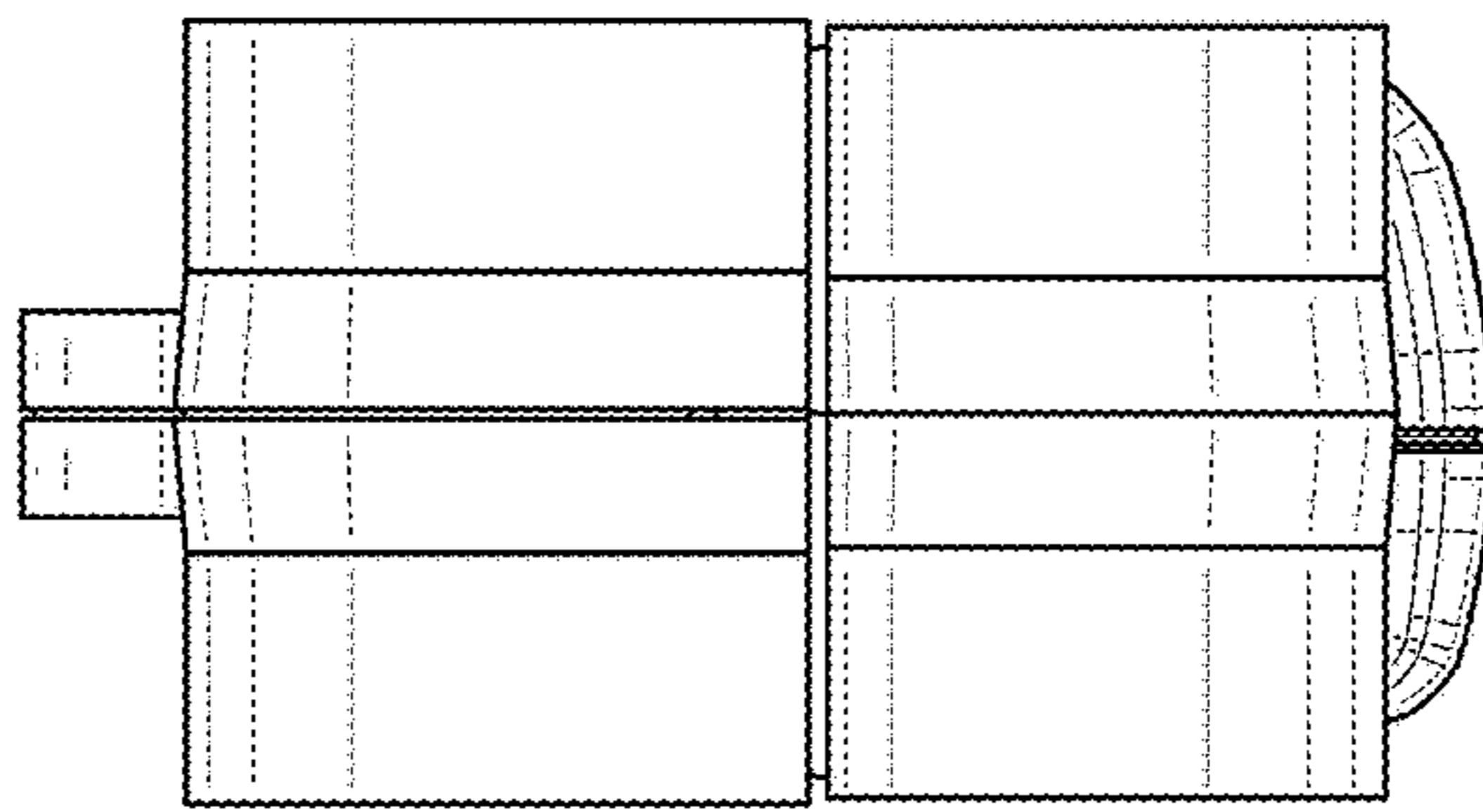


FIG. 6

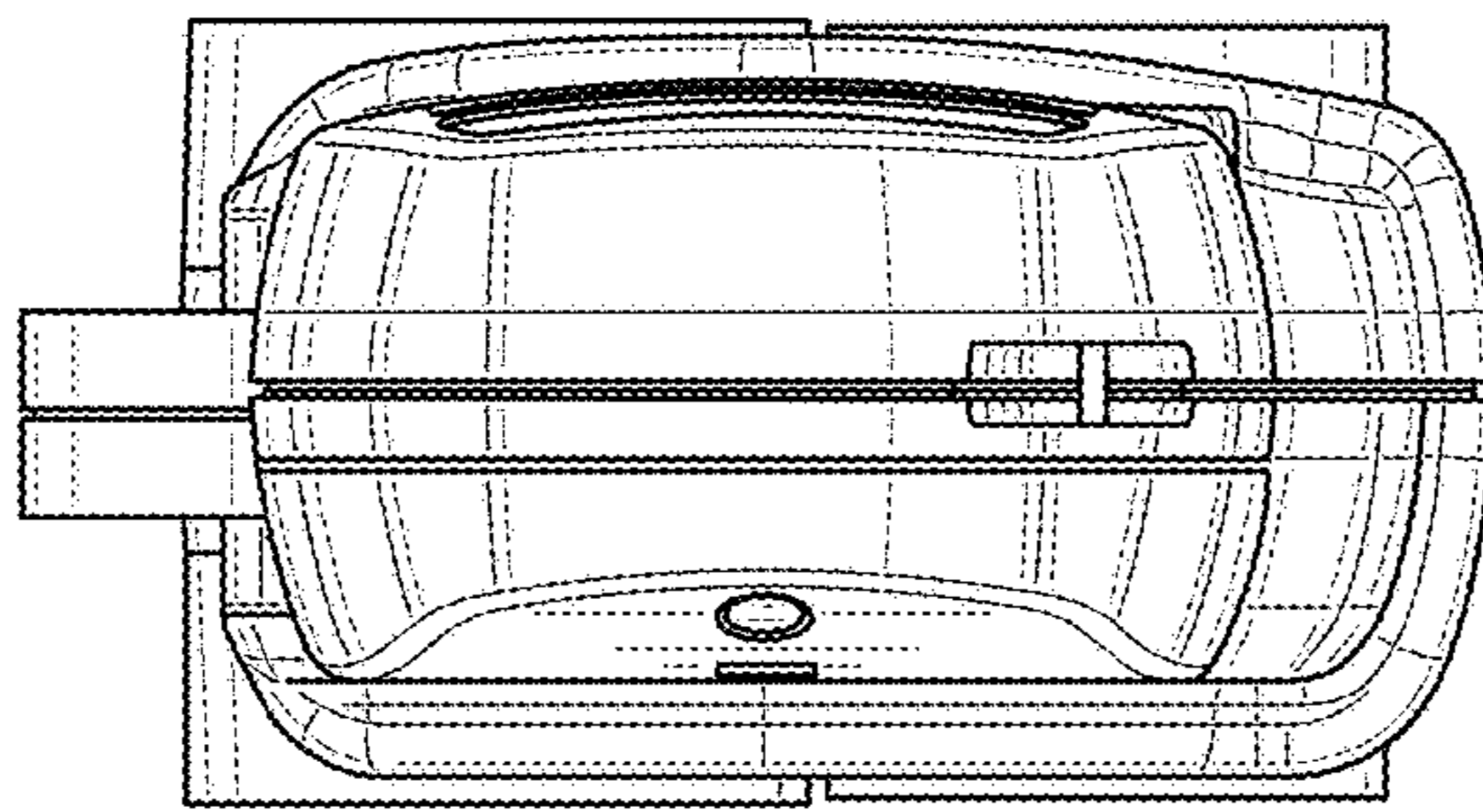


FIG. 7