



US00D848878S

(12) **United States Design Patent** (10) **Patent No.:** **US D848,878 S**
Jiang (45) **Date of Patent:** **** May 21, 2019**

(54) **FORCEPS MULTIMETER**

(71) Applicant: **Shenzhen Aimo Instrument Co., Ltd.**,
Shenzhen (CN)

(72) Inventor: **Chuang Jiang**, Fuyang (CN)

(**) Term: **15 Years**

(21) Appl. No.: **29/624,546**

(22) Filed: **Nov. 1, 2017**

(51) **LOC (11) Cl.** **10-04**

(52) **U.S. Cl.**
USPC **D10/79**

(58) **Field of Classification Search**
USPC D10/79

CPC G01R 1/04; G01R 1/0408; G01R 1/0416;
G01R 1/0425; G01R 1/06; G01R 1/067;
G01R 15/125; G01R 1/22; G01R 15/12;
G01R 15/18; G01R 15/186; G01R 1/07;
G01R 1/16772; G01R 1/16788; G01R
1/06788; G01R 15/181; G01R 15/04;
G01R 15/06; G01R 19/2503; G01R 1/20;
G01R 1/203; G01R 1/206; G01R 1/24;
G01R 1/26; G01R 31/3278; G01D 11/24;
G01D 11/245; G01D 11/26; G06F 17/00

See application file for complete search history.

(56) **References Cited**

U.S. PATENT DOCUMENTS

D515,953 S * 2/2006 Chang D10/79
D517,434 S * 3/2006 Chang D10/79
D789,814 S * 6/2017 Kodama D10/79
D802,456 S * 11/2017 Huang D10/79

* cited by examiner

Primary Examiner — Antoine Duval Davis

(74) *Attorney, Agent, or Firm* — W&K IP

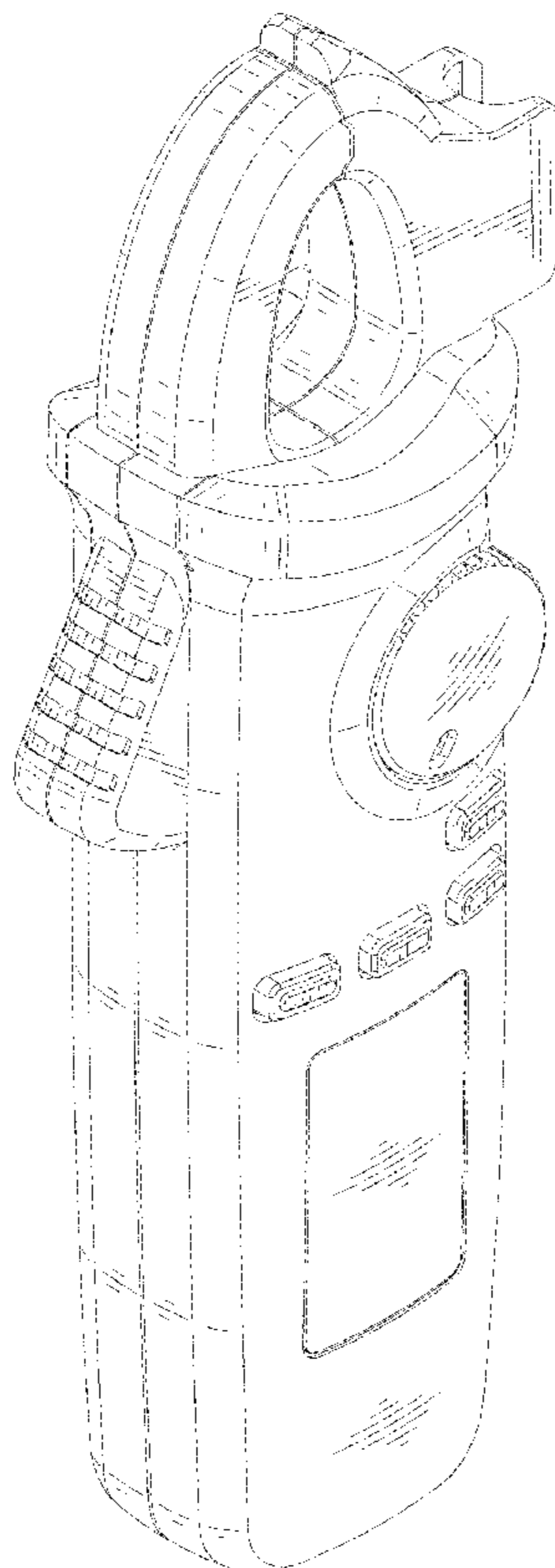
(57) **CLAIM**

The ornamental design of a forceps multimeter, as shown and described.

DESCRIPTION

FIG. 1 is a perspective view of a forceps multimeter, showing my new design;
FIG. 2 is another perspective view thereof;
FIG. 3 is a front view thereof;
FIG. 4 is a rear view thereof;
FIG. 5 is a left side view thereof;
FIG. 6 is a right side view thereof;
FIG. 7 is a top view thereof; and,
FIG. 8 is a bottom view thereof.

1 Claim, 8 Drawing Sheets



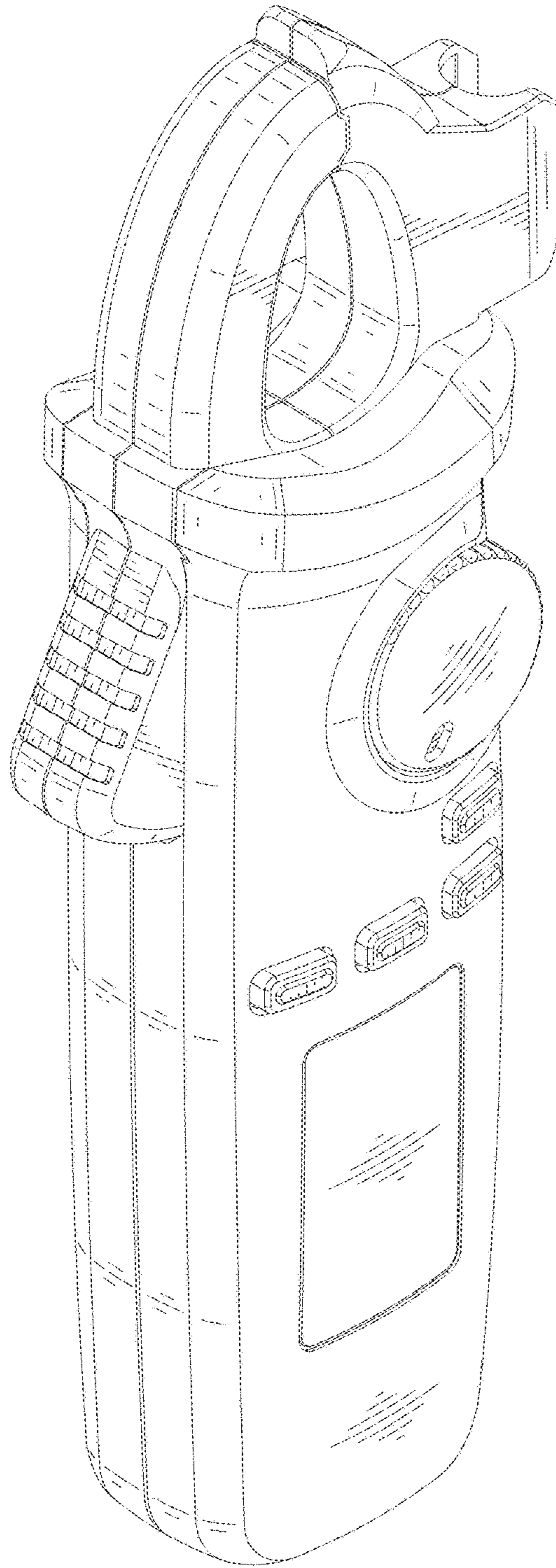


FIG.1

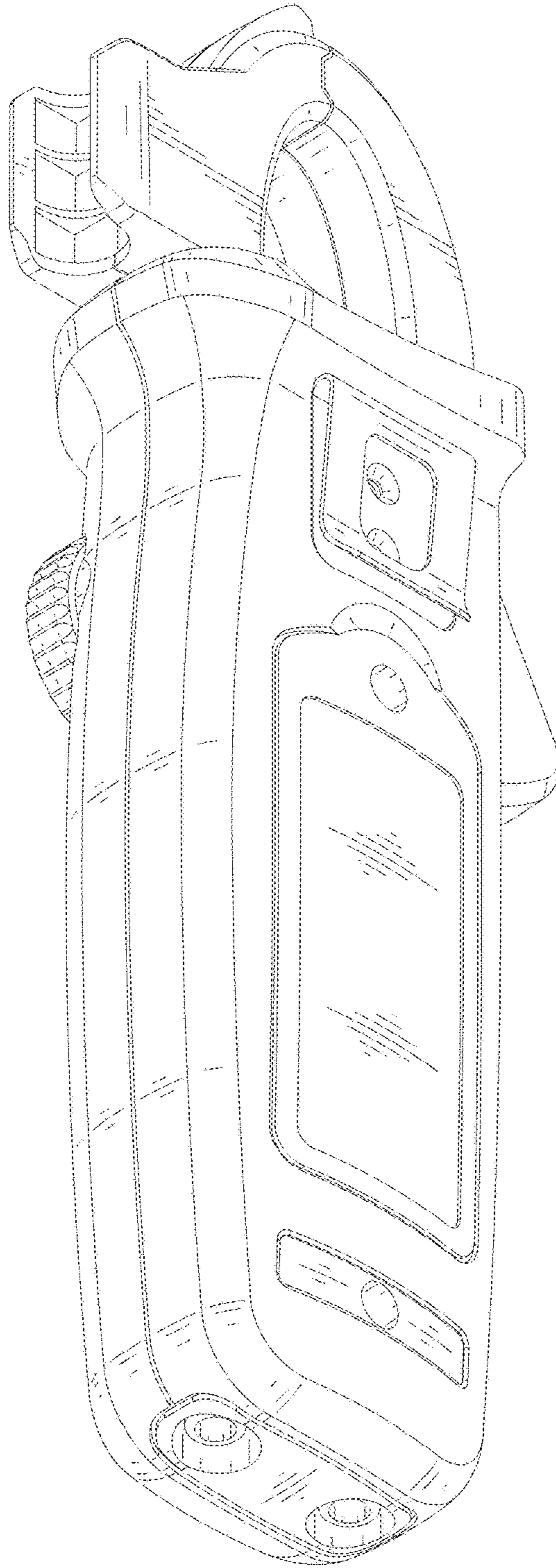


FIG.2

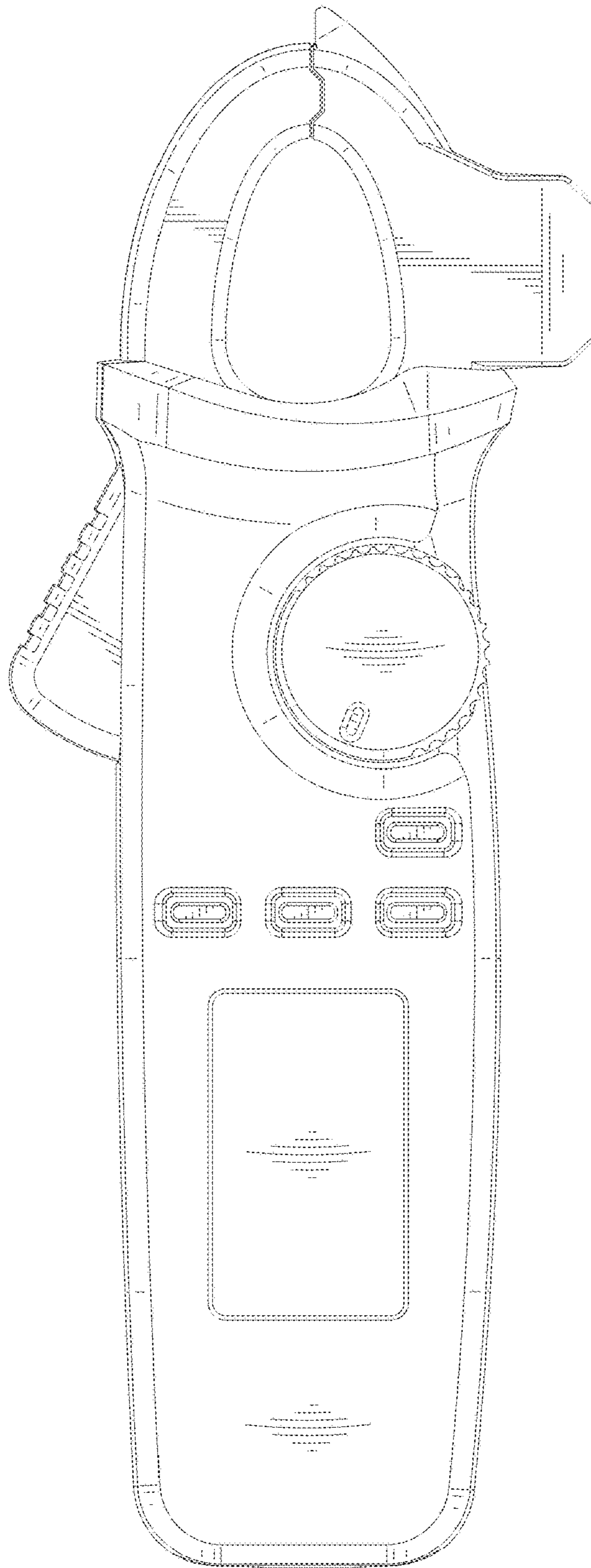


FIG.3

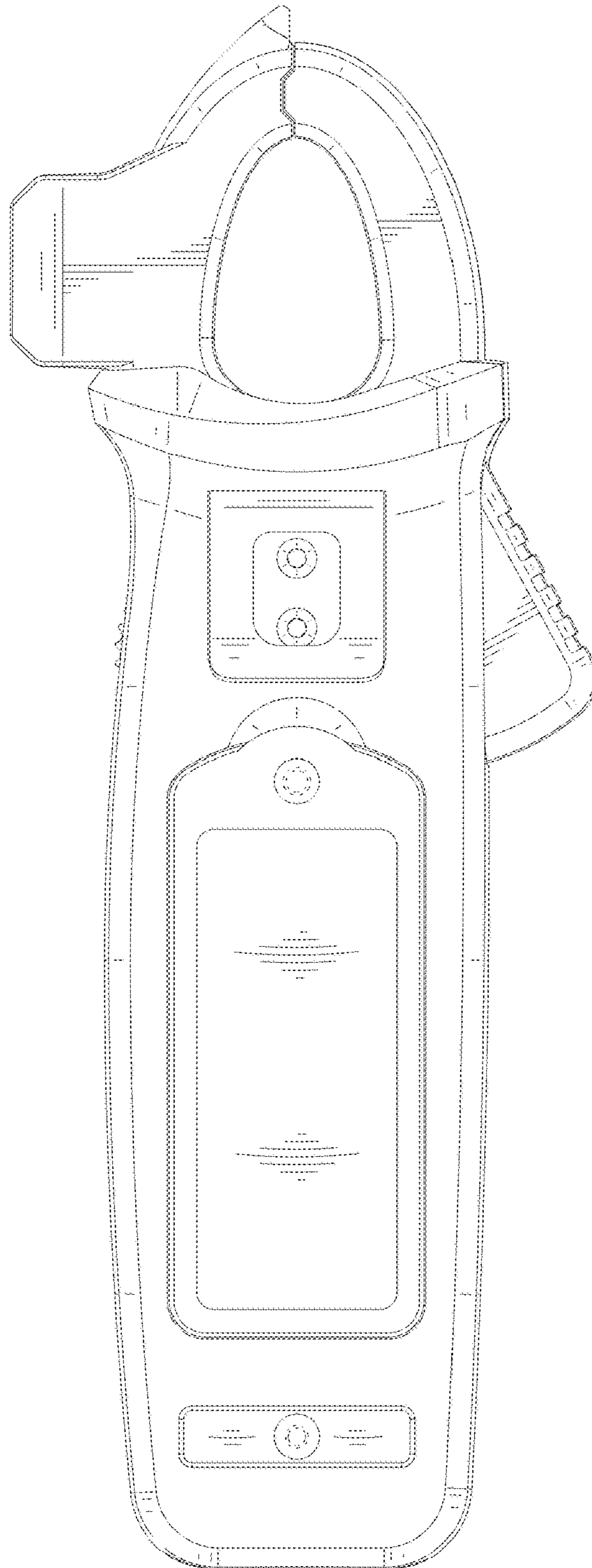


FIG.4

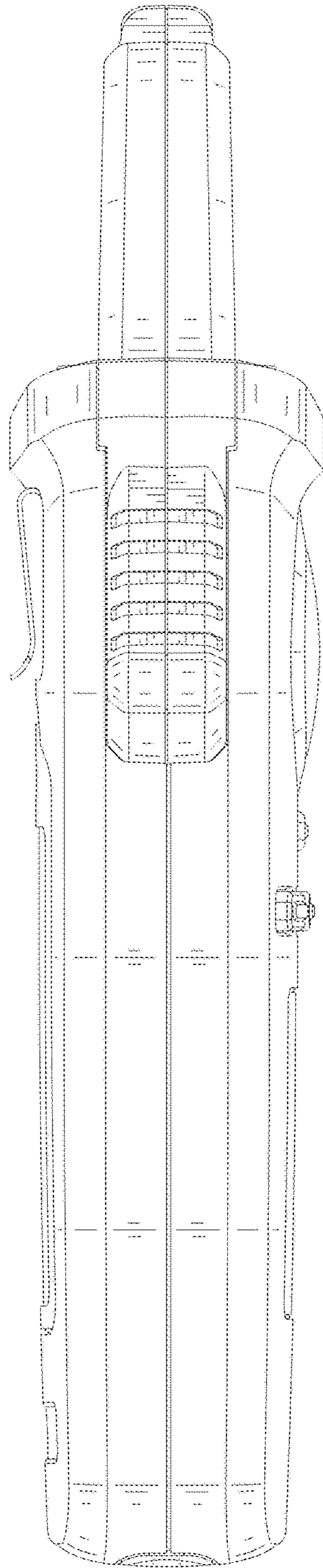


FIG.5

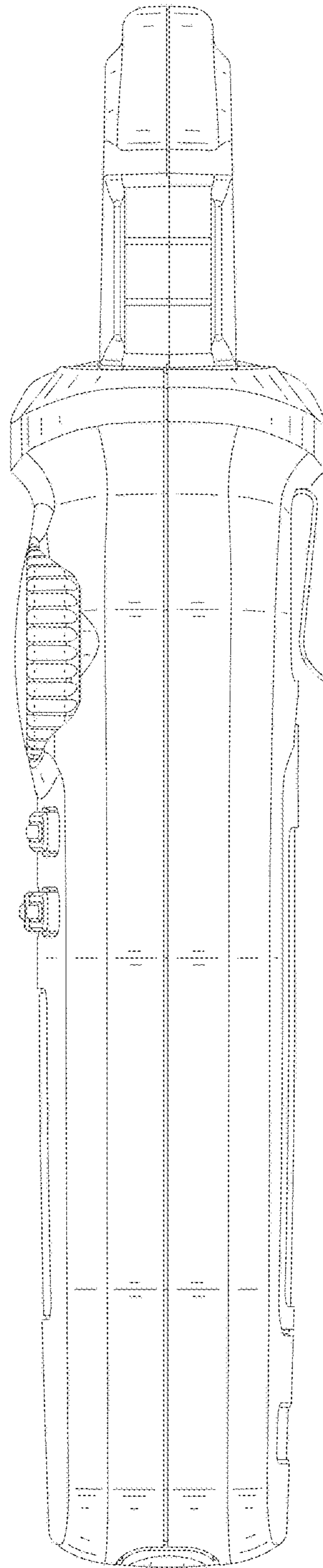


FIG.6

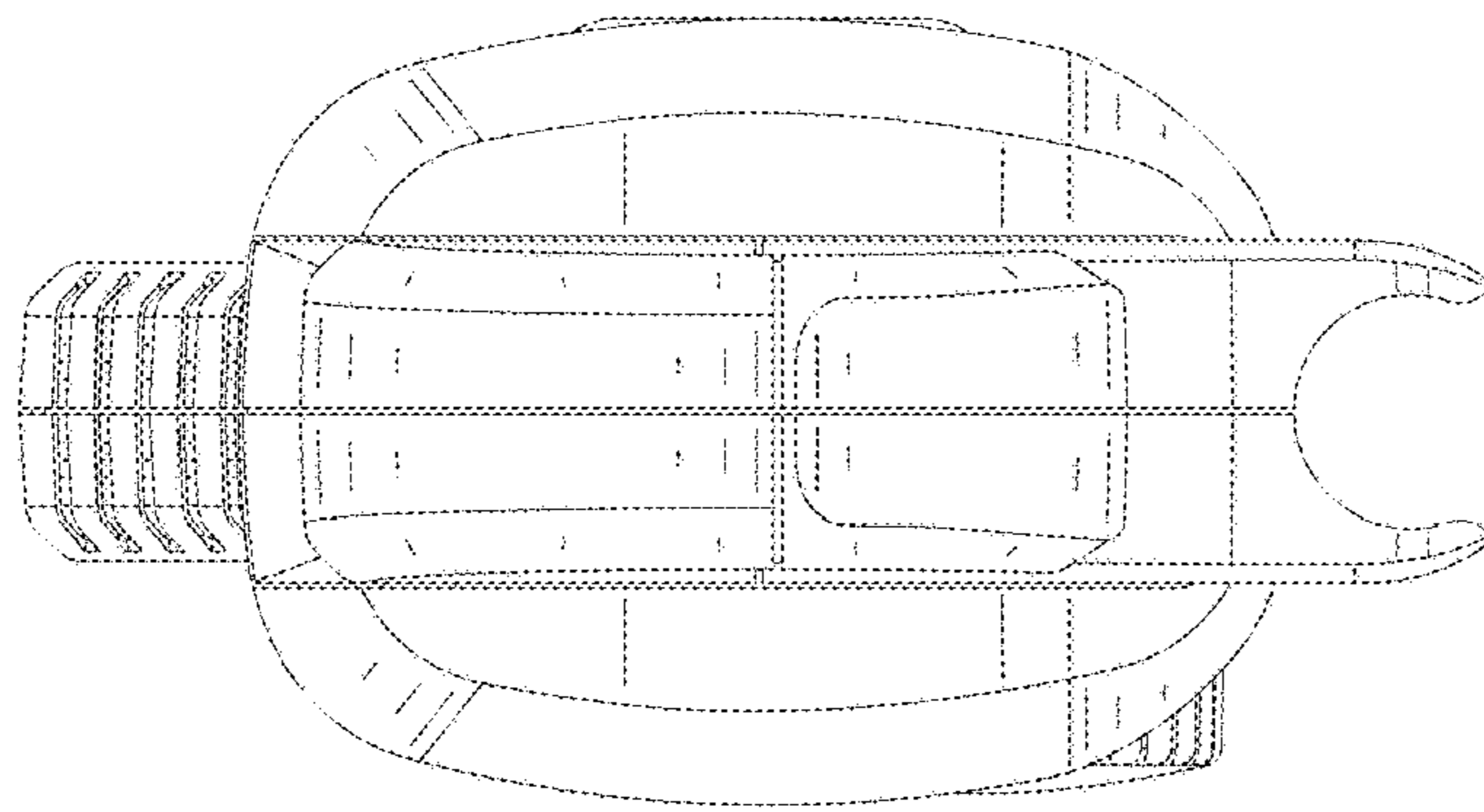


FIG.7

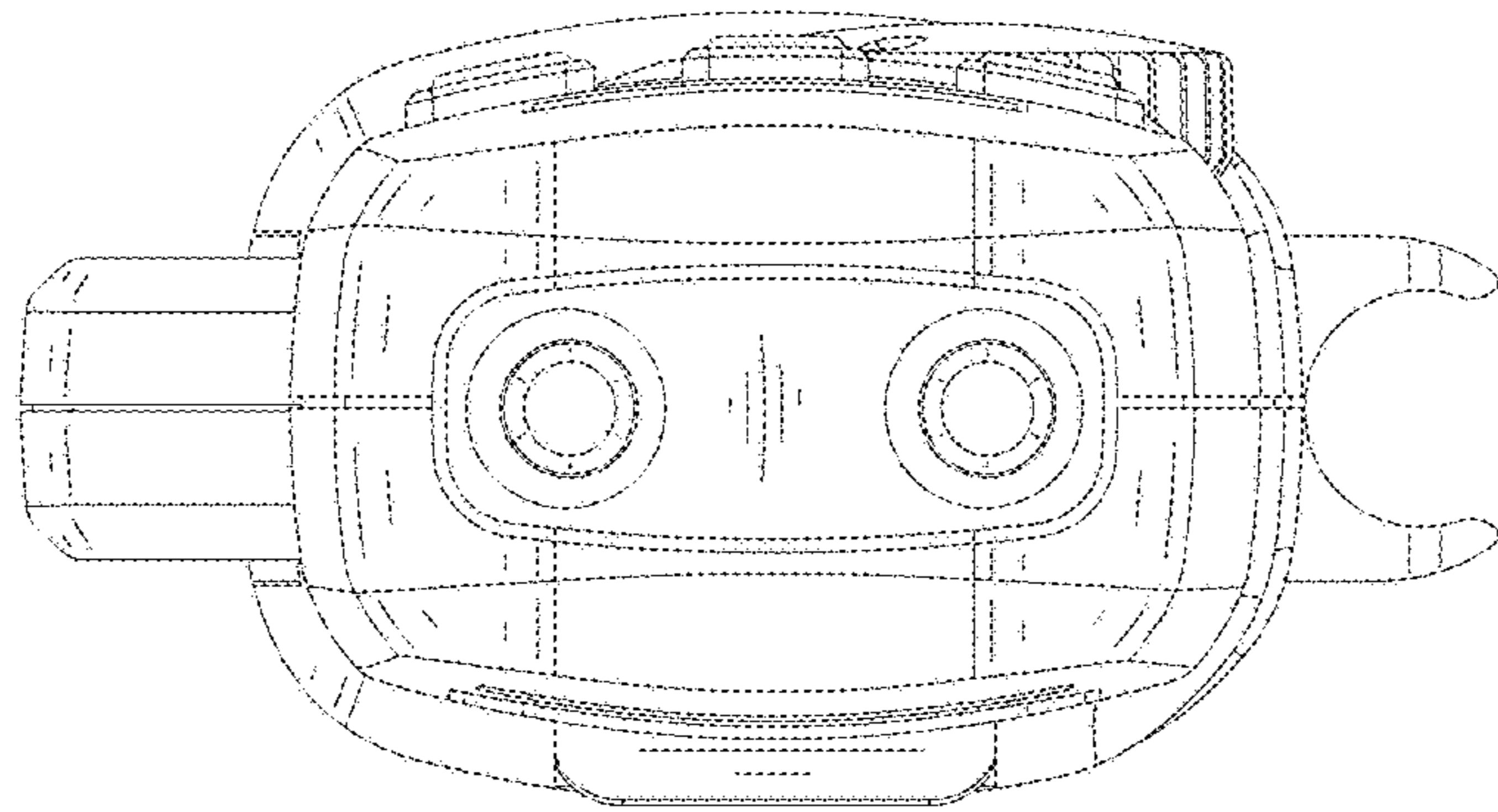


FIG.8