



US00D848875S

(12) **United States Design Patent** (10) **Patent No.:** **US D848,875 S**
Wildner et al. (45) **Date of Patent:** **** May 21, 2019**

(54) **WRIST WEARABLE FITNESS BAND TRACKER**

19/3745; A44B 11/006; A44B 11/24; A63B 26/00; G06F 1/163; G09F 3/005
See application file for complete search history.

(71) Applicant: **Fitbit, Inc.**, San Francisco, CA (US)

(56) **References Cited**

(72) Inventors: **Bernhard Wildner**, San Francisco, CA (US); **Kenneth S.M. Ling**, San Francisco, CA (US); **Alexander Joseph Ringrose**, Oakland, CA (US); **Patrick James Markan**, San Francisco, CA (US); **Gad Amit**, San Mateo, CA (US); **Daniel Joseph Clifton**, San Francisco, CA (US); **Erik Keith Askin**, San Francisco, CA (US)

U.S. PATENT DOCUMENTS

(73) Assignee: **Fitbit, Inc.**, San Francisco, CA (US)

(**) Term: **15 Years**

(21) Appl. No.: **29/596,216**

(22) Filed: **Mar. 6, 2017**

Related U.S. Application Data

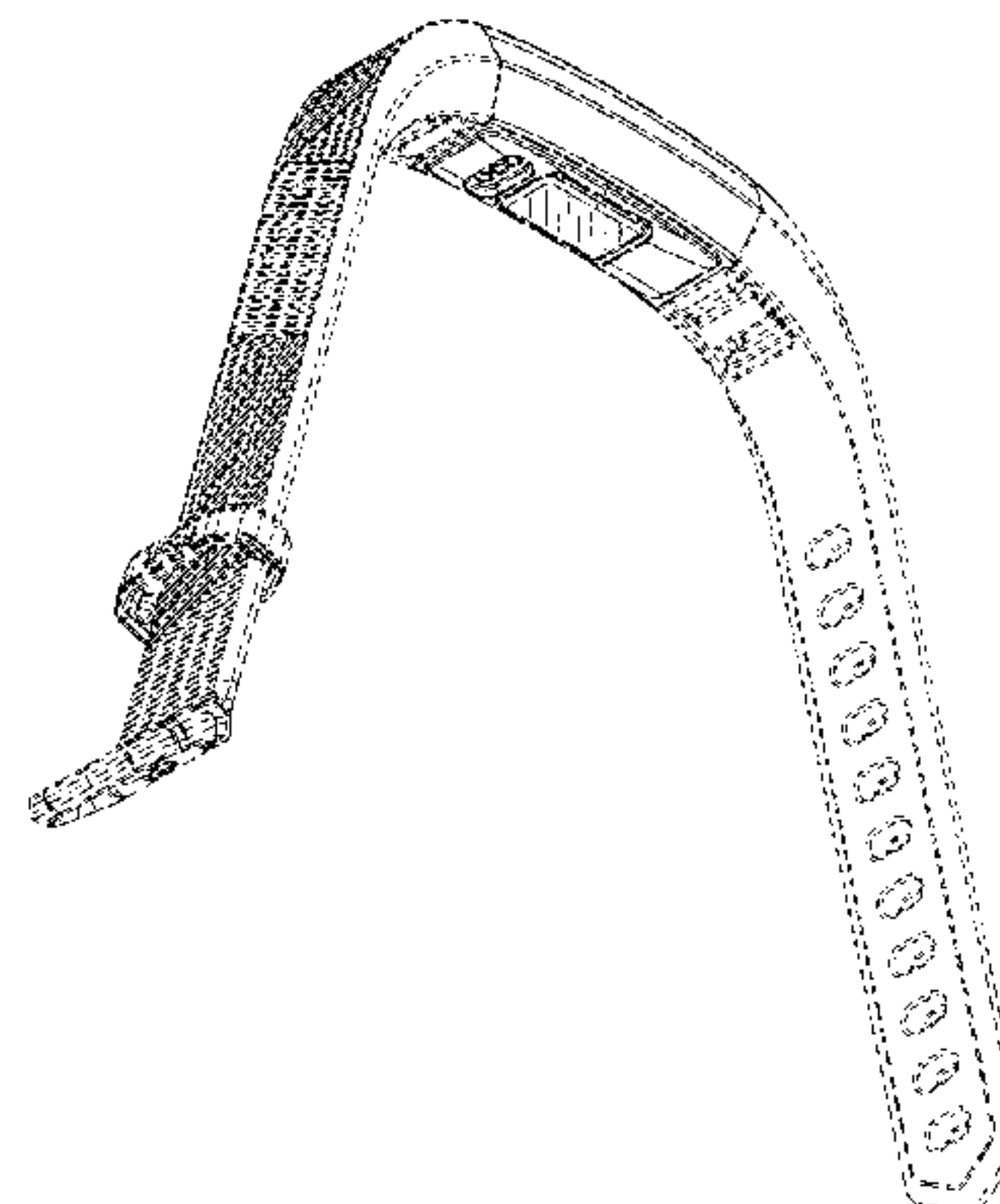
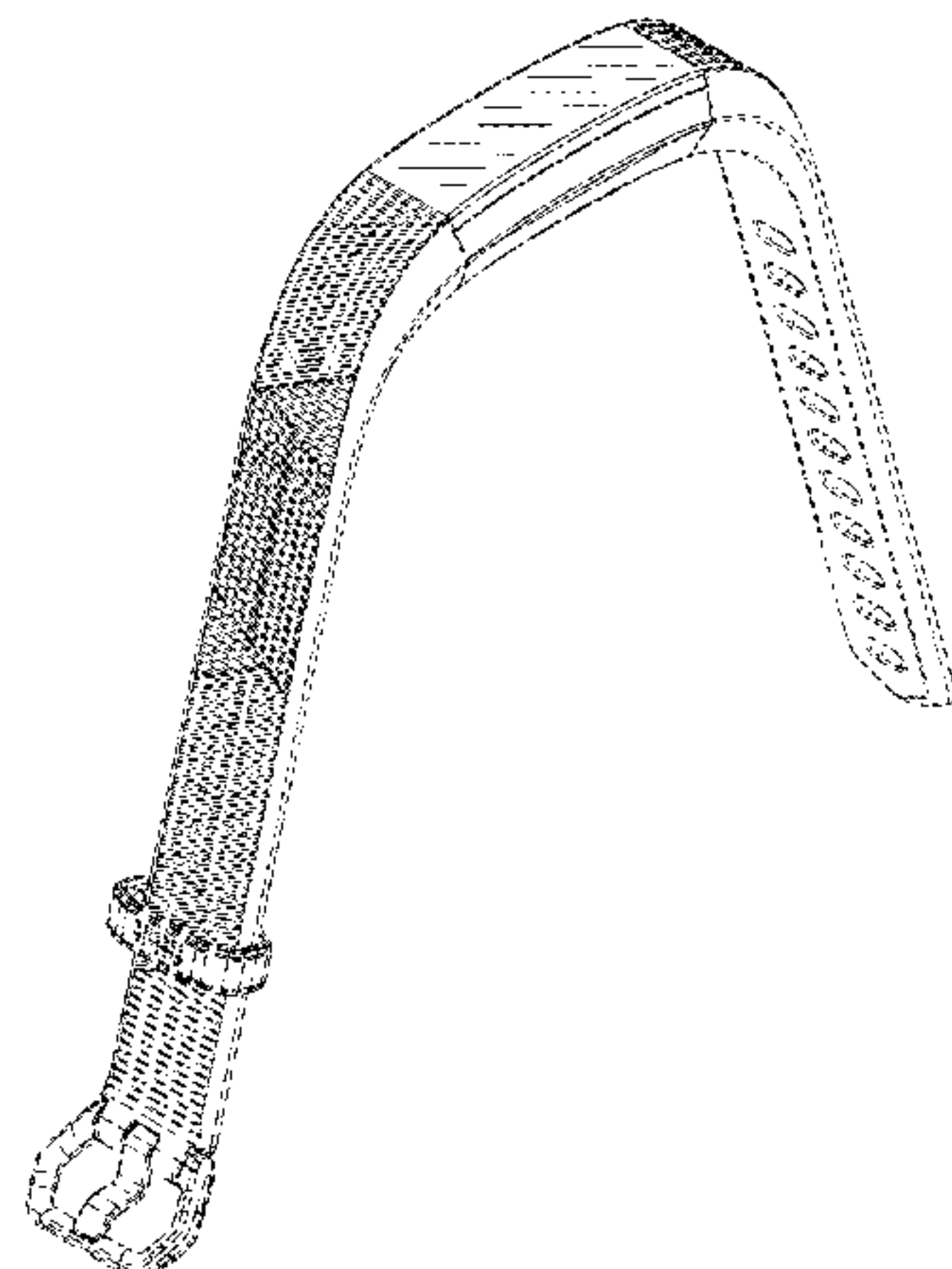
(63) Continuation-in-part of application No. 29/553,318, filed on Jan. 29, 2016, now Pat. No. Des. 800,596, which is a continuation-in-part of application No. 29/521,264, filed on Mar. 20, 2015, now Pat. No. Des. 759,516, and a continuation-in-part of application No. 29/520,607, filed on Mar. 16, 2015, now abandoned.

(51) **LOC (11) Cl.** **10-04**

(52) **U.S. Cl.**
USPC **D10/70; D24/167; D14/344**

(58) **Field of Classification Search**
USPC D10/31, 32, 38, 39, 46, 70, 30, 78, 97, D10/98; D11/1-25, 86, 87; D14/344, D14/203.5; D24/167, 186
CPC A44C 5/12; A44C 5/14; A44C 5/18; A44C 5/0053; A44C 5/0069; A44C 5/0076; A44C 5/00; A44C 5/0007; A44C 5/0015; A44C 5/0023; A44C 5/003; A44C 5/0061; A44C 5/147; A44C 5/185; A44C 5/2047; A44C 5/2052; G04B 37/00; G04B 37/1486; G04B 19/00; G04B

128,447 A	6/1872	Yeiser	
134,735 A	1/1873	Cornell	
D44,545 S	8/1913	Robbins	
1,120,961 A	12/1914	Morse	
1,135,409 A	4/1915	Simmons	
1,403,600 A	1/1922	Grand et al.	
1,621,325 A	3/1927	Kraemer	
1,709,179 A	4/1929	Lederer	
D82,186 S	9/1930	Speidel	
2,106,540 A	1/1938	Smith	
2,211,698 A	8/1940	Kreisler et al.	
D141,753 S	7/1945	Du Bois	
2,650,398 A	9/1953	Bangs	
2,656,673 A	10/1953	Mattson, Jr.	
2,871,592 A	2/1959	Polzin	
2,901,806 A	9/1959	Henshel	
2,986,794 A	6/1961	Boots	
3,030,686 A	4/1962	Burkhardt	
3,237,395 A	3/1966	Bennett	
D221,295 S *	7/1971	Poon	D11/23
D221,296 S *	7/1971	Poon	D11/24
3,675,284 A	7/1972	Rieth	
3,740,804 A	6/1973	Levinger	
RE28,793 E	5/1976	Bert	
4,006,587 A	2/1977	Huguenin	
4,106,677 A	8/1978	Helmso et al.	
D249,455 S	9/1978	Tilley	
4,348,000 A	9/1982	Hanner	
4,382,318 A	5/1983	Takimoto	
4,417,821 A	11/1983	Herchenbach	
D272,759 S	2/1984	Koziol	
D281,405 S	11/1985	Bulgari	
D291,423 S	8/1987	Lajoie	
D299,718 S	2/1989	Steer et al.	
D305,422 S	1/1990	Steer et al.	
D311,706 S	10/1990	Zaugg et al.	
D314,527 S *	2/1991	Kaneko	D11/3
D315,111 S	3/1991	Rogalski	
D323,787 S	2/1992	Moorman	
D331,020 S	11/1992	Ishii et al.	
D333,994 S	3/1993	Mesnard	
D349,468 S	8/1994	Souren	
D383,073 S	9/1997	Miller	
D387,692 S	12/1997	Hanagata	
5,795,300 A	8/1998	Bryars	



US D848,875 S

D400,112 S	10/1998	Rider	D684,497 S	6/2013	Cobbett et al.
D405,381 S	2/1999	Perrin et al.	8,568,313 B2	10/2013	Sadu
D407,341 S	3/1999	Oshita	D693,251 S	11/2013	Anderssen et al.
5,951,193 A	9/1999	Yamamoto et al.	D693,708 S	11/2013	Brigham
D445,041 S	7/2001	Tan et al.	D700,083 S	2/2014	Brigham
D449,008 S	10/2001	Sargent	D703,069 S	4/2014	Adams et al.
D455,093 S	4/2002	Fitzgerald	D706,159 S	6/2014	Ma
D471,471 S	3/2003	Fu et al.	D707,583 S	6/2014	Kalemos
D480,653 S	10/2003	Lo	8,776,418 B1	7/2014	Martinez et al.
6,738,317 B2	5/2004	Nussbaum	D714,179 S	9/2014	Park et al.
D500,688 S	1/2005	Schwarz	D715,167 S	10/2014	Busse
6,982,930 B1	1/2006	Hung	D715,666 S	10/2014	Park et al.
D517,441 S	3/2006	Heatherly et al.	D715,668 S	10/2014	Roush et al.
D528,439 S	9/2006	Burton	D718,647 S	12/2014	Roush et al.
D528,928 S	9/2006	Burton	D720,074 S	12/2014	Suvilaakso et al.
D535,055 S	1/2007	Been et al.	D720,248 S	12/2014	Law
D536,265 S	2/2007	Reynoso	D720,249 S	12/2014	Park et al.
D538,687 S	3/2007	Komulainen	D720,635 S	1/2015	Park et al.
D545,220 S	6/2007	Leung	D721,609 S	1/2015	Duddy
D548,128 S	8/2007	Andren et al.	D721,701 S	1/2015	Al-Nasser
D549,602 S	8/2007	Oberrieder et al.	8,942,070 B1	1/2015	Shah
D550,105 S	9/2007	Oberrieder et al.	D722,316 S	2/2015	Seaberg
D550,112 S	9/2007	Andren et al.	D724,453 S	3/2015	Ogihara et al.
D553,512 S	10/2007	Tang	D724,479 S	3/2015	Cerrato
D556,194 S	11/2007	Rambosek et al.	D725,510 S	3/2015	Henning
7,293,332 B2	11/2007	Maillard	D725,528 S	3/2015	Parmigiani
7,311,526 B2	12/2007	Rohrbach et al.	D725,533 S	3/2015	Riddiford et al.
D559,723 S	1/2008	Kraus et al.	8,967,437 B2	3/2015	Wilson
D560,520 S	1/2008	Oberrieder et al.	D726,052 S *	4/2015	Henning D10/70
D562,713 S	2/2008	Hurlimann	D726,056 S	4/2015	Riddiford et al.
D564,367 S	3/2008	Molyneux	D726,062 S	4/2015	Silverstein
D567,227 S	4/2008	Hada	D726,572 S	4/2015	Walters et al.
D567,676 S	4/2008	Tang	D727,183 S	4/2015	Park et al.
D568,768 S	5/2008	Tang	D727,759 S	4/2015	Martinez et al.
D569,282 S	5/2008	Daniel	9,004,329 B2	4/2015	Hsieh et al.
D573,905 S	7/2008	Poirier	D729,237 S	5/2015	Fagnot
D576,908 S	9/2008	Gruenke	D729,453 S	5/2015	Provost et al.
D581,826 S	12/2008	Molyneux	D729,646 S	5/2015	Phillips et al.
D584,974 S *	1/2009	Fukuda D10/70	D729,648 S	5/2015	Phillips et al.
D586,673 S	2/2009	Kobayakawa	D729,649 S	5/2015	Phillips et al.
D586,674 S	2/2009	Solarewicz	D729,657 S *	5/2015	Behar D10/70
D589,375 S	3/2009	Tang	D729,658 S	5/2015	Behar
7,529,155 B2	5/2009	Fasciano	D730,210 S	5/2015	Song
D595,163 S	6/2009	Kim et al.	D730,211 S	5/2015	Behar
D595,858 S	7/2009	Kazel	D731,482 S	6/2015	Song
7,575,368 B2	8/2009	Guillaume	D731,898 S *	6/2015	Squires D10/30
D602,386 S	10/2009	Ueda et al.	D732,022 S	6/2015	Song
D606,423 S	12/2009	Mille	9,064,391 B2	6/2015	Vardi et al.
D610,476 S	2/2010	Daniel	D733,706 S	7/2015	Song
D621,808 S	8/2010	Kim	D735,068 S	7/2015	Pla
D630,582 S	1/2011	Dai et al.	D735,191 S	7/2015	Song
D635,873 S	4/2011	Ogihara et al.	D735,587 S	8/2015	Squires
D637,094 S	5/2011	Cobbett et al.	D735,710 S	8/2015	Song
D637,506 S	5/2011	Toyoshima et al.	D736,652 S	8/2015	Isaacs et al.
D638,327 S	5/2011	Cobbett et al.	D737,159 S	8/2015	Akana et al.
D638,736 S	5/2011	Cobbett et al.	D737,699 S	9/2015	Chang et al.
D640,367 S	6/2011	Lin et al.	D738,236 S	9/2015	Song
D643,772 S	8/2011	Mikkelsen	D738,237 S	9/2015	Song
D645,360 S	9/2011	Kiser et al.	D738,372 S	9/2015	Song
D656,856 S	4/2012	Kleinberg	D738,759 S	9/2015	Behar
D664,880 S	8/2012	Cobbett et al.	D739,273 S	9/2015	Behar
D664,881 S	8/2012	Cobbett et al.	9,122,250 B2	9/2015	Hoffman et al.
D664,882 S	8/2012	Cobbett et al.	D740,140 S	10/2015	Behar
D667,126 S	9/2012	Cho et al.	D740,693 S	10/2015	Carmichael
8,275,327 B2	9/2012	Yi et al.	D740,702 S	10/2015	Behar
D669,382 S	10/2012	Alvarez et al.	D740,807 S	10/2015	Daniel
D669,383 S	10/2012	Cobbett et al.	D741,726 S	10/2015	Akana et al.
D669,384 S	10/2012	Alvarez et al.	D742,373 S	11/2015	Ji et al.
8,296,983 B2	10/2012	Padgett et al.	D742,875 S	11/2015	Ji et al.
D670,583 S	11/2012	Shaanan	D743,820 S	11/2015	Song
D671,858 S	12/2012	Cobbett et al.	D744,109 S	11/2015	Yoneta et al.
D672,667 S	12/2012	Mix	D744,110 S	11/2015	Kubo et al.
8,370,549 B2	2/2013	Burton et al.	9,189,023 B2	11/2015	Lim
D677,190 S	3/2013	Cobbett et al.	D744,356 S	12/2015	Akana et al.
D680,020 S	4/2013	Cobbett et al.	D744,357 S	12/2015	Behar et al.
D680,651 S	4/2013	Lumme et al.	D744,358 S	12/2015	Behar et al.
8,408,436 B2	4/2013	Berry et al.	D744,869 S	12/2015	Dallmeyer et al.
D682,718 S	5/2013	Azuma	D745,009 S	12/2015	Jensen
D684,082 S	6/2013	Alvarez et al.	D745,421 S	12/2015	Akana et al.

US D848,875 S

D745,513 S	12/2015	Jung et al.		D796,368 S	9/2017	Lowe et al.	
D745,514 S	12/2015	Jung et al.		D798,189 S	9/2017	Nielsen et al.	
D745,868 S	12/2015	Choi et al.		D800,109 S	10/2017	Rouillac et al.	
D746,477 S	12/2015	Cha et al.		D800,593 S	10/2017	Ling et al.	
D746,702 S	1/2016	Galli		D800,596 S *	10/2017	Ling	D11/5
D746,776 S	1/2016	Park et al.		D802,452 S	11/2017	Paschke et al.	
D747,313 S	1/2016	Song		D802,453 S	11/2017	Page et al.	
D747,714 S	1/2016	Erbeus		D804,334 S	12/2017	Becker et al.	
D748,624 S	2/2016	Magi		D805,418 S	12/2017	Lowe et al.	
D749,002 S	2/2016	Park et al.		D806,589 S	1/2018	Le Bihan et al.	
D749,569 S	2/2016	Ji et al.		D806,599 S	1/2018	Nielsen et al.	
D750,622 S	3/2016	Chen et al.		D806,880 S	1/2018	Henning	
D751,068 S	3/2016	Erbeus		D807,219 S	1/2018	Ling et al.	
D751,069 S	3/2016	Choi et al.		D807,777 S	1/2018	Lowe et al.	
D751,431 S	3/2016	Browning et al.		D808,962 S	1/2018	Wu	
D751,452 S	3/2016	Henning		D809,144 S *	1/2018	Wu	D24/167
D751,549 S	3/2016	Park et al.		D809,955 S	2/2018	Ling et al.	
D752,043 S	3/2016	Ji et al.		D813,229 S	3/2018	Ling et al.	
D752,046 S	3/2016	Jun		D821,245 S	6/2018	Lowe et al.	
D752,578 S	3/2016	Ji et al.		D822,836 S *	7/2018	Wu	D24/186
9,285,830 B2	3/2016	Alcazar		D829,330 S	9/2018	Zheng	
D756,250 S	5/2016	Lee		D831,643 S *	10/2018	Son	D14/344
D756,824 S	5/2016	Akana et al.		D833,412 S *	11/2018	Guan	D14/186
D757,574 S	5/2016	Song		D833,625 S *	11/2018	Guan	D24/186
D757,583 S	5/2016	Roush et al.		D835,533 S *	12/2018	Zheng	D10/70
D757,721 S	5/2016	Dallmeyer et al.		D840,042 S *	2/2019	Yan	D24/186
D758,234 S	6/2016	Riddiford et al.		D840,043 S *	2/2019	Li	D24/186
D759,011 S	6/2016	Akana et al.		D841,171 S *	2/2019	Li	D24/186
D759,516 S	6/2016	Ling et al.		2005/0237704 A1	10/2005	Ceresoli	
D759,523 S	6/2016	Ling et al.		2006/0203621 A1	9/2006	Brodmann	
D759,622 S	6/2016	Dahlberg		2009/0306485 A1	12/2009	Bell	
D759,623 S	6/2016	Dahlberg		2010/0162472 A1	7/2010	Abraham	
D759,826 S	6/2016	Martinez et al.		2010/0311544 A1	12/2010	Robinette et al.	
D761,140 S	7/2016	Wimmer, IV		2011/0032105 A1 *	2/2011	Hoffman	G04F 10/00 340/573.1
D761,141 S	7/2016	Wimmer, IV					
D761,675 S	7/2016	Thaveeprungsriporn et al.		2011/0209373 A1	9/2011	Padgett et al.	
D762,210 S	7/2016	Lee et al.		2013/0273770 A1	10/2013	Pong	
9,391,307 B2	7/2016	Ishibashi		2013/0329324 A1	12/2013	Tziviskos et al.	
D763,107 S *	8/2016	Nielsen	D10/30	2014/0107493 A1	4/2014	Yuen et al.	
D763,719 S	8/2016	Nielsen et al.		2014/0156196 A1 *	6/2014	Martinez	A61B 5/681 702/19
D764,340 S	8/2016	Akana et al.					
D764,341 S	8/2016	Akana et al.		2014/0180019 A1	6/2014	Martinez et al.	
D765,072 S	8/2016	Kwon		2014/0196539 A1	6/2014	Martinez et al.	
D765,537 S	9/2016	Hembo et al.		2014/0218852 A1 *	8/2014	Alcazar	G06F 1/163 361/679.03
D765,655 S	9/2016	Tao					
D766,115 S	9/2016	Ma		2014/0275854 A1	9/2014	Venkatraman et al.	
D766,758 S	9/2016	Park et al.		2014/0316305 A1	10/2014	Venkatraman et al.	
D766,893 S	9/2016	Akana et al.		2015/0085623 A1	3/2015	Modaragamage	
D767,768 S	9/2016	Ahmed et al.		2015/0105671 A1	4/2015	Shibuya et al.	
D768,028 S	10/2016	Ling et al.		2015/0186609 A1	7/2015	Utter, II	
D770,321 S	11/2016	Murphy et al.		2015/0238141 A1	8/2015	Lai	
D771,038 S	11/2016	Akana et al.		2015/0333302 A1	11/2015	Johns et al.	
D772,869 S *	11/2016	Iizuka	D10/39	2016/0015136 A1 *	1/2016	Yue	A44C 5/2071 63/1.11
D773,052 S	11/2016	Wimmer, IV					
9,498,161 B1	11/2016	Sunden et al.		2016/0072554 A1	3/2016	Sharma	
9,508,241 B2	11/2016	DePascale		2016/0183390 A1	6/2016	Yang et al.	
D777,590 S	1/2017	Nielsen et al.		2016/0192526 A1	6/2016	Gao et al.	
D779,989 S *	2/2017	Lee	D10/70	2016/0206215 A1	7/2016	Takahashi et al.	
D781,738 S	3/2017	Lee et al.		2016/0220865 A1	8/2016	Seo	
D784,325 S	4/2017	Kim et al.		2016/0223992 A1	8/2016	Seo et al.	
D784,327 S	4/2017	Akana et al.		2016/0255923 A1	9/2016	Lee et al.	
D784,831 S	4/2017	Akana et al.		2016/0255944 A1	9/2016	Baranski et al.	
D786,861 S	5/2017	Pu		2017/0020453 A1	1/2017	Nakagawa et al.	
D787,960 S	5/2017	Park et al.		2017/0027508 A1	2/2017	Nakayama et al.	
D788,608 S	6/2017	Houin et al.		2017/0065224 A1	3/2017	Rahko et al.	
D789,219 S	6/2017	Ferrais et al.		2017/0086692 A1	3/2017	Freschl et al.	
D789,929 S	6/2017	Tan et al.		2017/0095169 A1	4/2017	Liu et al.	
D790,365 S	6/2017	Nuovo et al.		2017/0100038 A1	4/2017	Narusawa	
D790,366 S	6/2017	Nuovo et al.		2017/0150790 A1	6/2017	Marti	
D790,374 S *	6/2017	Lean	D10/39	2017/0172499 A1	6/2017	Yoo	
D790,992 S	7/2017	Nicotra et al.		2017/0224218 A1	8/2017	Tanaka et al.	
D790,994 S	7/2017	Nielsen et al.		2018/0092438 A1 *	4/2018	Vandenbussche	A44B 11/24
D792,597 S	7/2017	Ahmed et al.		2018/0132738 A1	5/2018	Choi et al.	
D792,795 S	7/2017	Cerrato					
D793,269 S	8/2017	Magniez et al.					
D793,270 S	8/2017	Riddiford et al.					
D793,565 S	8/2017	Saunamaki et al.					
D795,719 S *	8/2017	Lean	D10/39				
D796,045 S	8/2017	Henning					

FOREIGN PATENT DOCUMENTS

CN 302903439 S 6/2014
CN 104257043 A 1/2015

CN	204347450	U	5/2015
CN	105795625	A	7/2016
CN	205697726	U	11/2016
CN	206137393	U	5/2017
CN	206150625	U	5/2017
CN	206175396	U	7/2017
CN	107594777	A	1/2018
CN	206866760	U	1/2018
CN	207266646	U	4/2018
CN	20341311	U	5/2018
CN	207341307	U	5/2018
WO	2017121662	A1	7/2017

OTHER PUBLICATIONS

U.S. Office Action, dated Aug. 4, 2014, issued in U.S. Appl. No. 29/468,506.

U.S. Notice of Allowance, dated Oct. 24, 2014, issued in U.S. Appl. No. 29/468,506.

U.S. Notice of Allowance, dated Aug. 15, 2014, issued in U.S. Appl. No. 29/468,517.

U.S. Office Action, dated Jun. 5, 2015, issued in U.S. Appl. No. 29/468,522.

U.S. Notice of Allowance, dated Oct. 9, 2015, issued in U.S. Appl. No. 29/468,522.

U.S. Notice of Allowance, dated Oct. 9, 2015 issued in U.S. Appl. No. 29/497,740.

U.S. Office Action [Ex Parte Quayle], dated May 10, 2016 issued in U.S. Appl. No. 29/549,341.

U.S. Notice of Allowance [Notice of Allowability], dated Jul. 22, 2016 issued in U.S. Appl. No. 29/549,341.

U.S. Notice of Allowance, dated Jan. 7, 2015, issued in U.S. Appl. No.29/498,195.

U.S. Notice of Allowance [Corrected Notice of Allowability for a Design Application], dated Feb. 10, 2015, issued in U.S. Appl. No. 29/498,195.

U.S. Notice of Allowance, dated Jan. 7, 2015, issued in U.S. Appl. No. 29/499,065.

U.S. Notice of Allowance [Corrected Notice of Allowability for a Design Application], dated Feb. 10, 2015, issued in U.S. Appl. No. 29/499,065.

U.S. Office Action, dated Sep. 25, 2015, issued in U.S. Appl. No. 29/500,837.

U.S. Notice of Allowance, dated Mar. 28, 2016, issued in U.S. Appl. No. 29/500,837.

U.S. Notice of Allowance dated May 11, 2016, issued in U.S. Appl. No. 29/500,837.

U.S. Notice of Allowance, dated Mar. 4, 2016, issued in U.S. Appl. No. 29/521,264.

U.S. Notice of Allowance, dated Apr. 14, 2016, issued in U.S. Appl. No. 29/524,025.

U.S. Notice of Allowance, dated Aug. 3, 2016, issued in U.S. Appl. No. 29/524,028.

U.S. Notice of Allowance, dated Oct. 11, 2016, issued in U.S. Appl. No. 29/537,616.

U.S. Notice of Allowance, dated Apr. 14, 2016, issued in U.S. Appl. No. 29/541,358.

U.S. Notice of Allowance, dated Apr. 13, 2016, issued in U.S. Appl. No. 29/541,364.

U.S. Notice of Allowance [Corrected Notice of Allowability], dated May 31, 2016, issued in U.S. Appl. No. 29/541,364.

U.S. Notice of Allowance, dated Feb. 15, 2017, issued in U.S. Appl. No. 29/569,701.

U.S. Notice of Allowance [Corrected Notice of Allowability], dated May 25, 2017, issued in U.S. Appl. No. 29/569,701.

U.S. Office Action [Ex Parte Quayle], dated Feb. 27, 2017, issued in U.S. Appl. No. 29/553,921.

U.S. Notice of Allowance, dated May 25, 2017, issued in U.S. Appl. No. 29/553,921.

U.S. Office Action, dated Jan. 27, 2017, issued in U.S. Appl. No. 29/553,318.

U.S. Notice of Allowance, dated Jun. 6, 2017, issued in U.S. Appl. No. 29/553,318.

U.S. Office Action [Ex Parte Quayle], dated Mar. 2, 2017 issued in U.S. Appl. No.29/563,191.

U.S. Notice of Allowance, dated Jun. 16, 2017 issued in U.S. Appl. No. 29/563,191.

U.S. Office Action [Ex Parte Quayle], dated Feb. 10, 2017, issued in U.S. Appl. No. 29/563,195.

U.S. Notice of Allowance, dated Apr. 28, 2017, issued in U.S. Appl. No. 29/563,195.

U.S. Notice of Allowance, dated Jul. 5, 2017, issued in U.S. Appl. No. 29/563,922.

U.S. Notice of Allowance, dated Jul. 6, 2017, issued in U.S. Appl. No. 29/565,818.

U.S. Notice of Allowance, dated Feb. 17, 2017, issued in U.S. Appl. No.29/571,687.

U.S. Notice of Allowance, dated Apr. 17, 2017, issued in U.S. Appl. No. 29/572,962.

U.S. Notice of Allowance [Corrected Notice of Allowability for a Design Application], dated Jul. 14, 2017, issued in U.S. Appl. No. 29/572,962.

Chinese First Office Action dated Oct. 29, 2014 issued in CN 201430316587.8.

Chinese Office Action [Description in English] dated Feb. 14, 2016 issued in CN201530255881.7.

Chinese Office Action [Description in English] dated Feb. 14, 2016 issued in CN201530256087.4.

Chinese Office Action [Description in English] dated Feb. 14, 2016 issued in CN201530255977.3.

Chinese Office Action [Description in English] dated Jul. 30, 2015 issued in CN201530134185.0.

Chinese Office Action [Description in English] dated Dec. 18, 2015 issued in CN201530134185.0.

Chinese Office Action [Description in English] dated May 23, 2016 issued in CN201530465785.5.

Chinese Office Action [Description in English] dated Sep. 27, 2016 issued in CN201630295320.4.

Chinese Office Action [Description in English] dated Jan. 6, 2017 issued in CN201630295320.4.

Chinese Office Action [Description in English] dated Sep. 28, 2016 issued in CN201630295177.9.

Chinese Office Action [Description in English] dated Jan. 20, 2017 issued in CN201630492536.X.

Chinese Second Office Action [no translation] dated Apr. 1, 2017 issued in CN201630492536.X.

Chinese First Office Action [no translation] dated Dec. 20, 2017 issued in CN201730420656.3.

Fitbit Alta Bands (available online Jul. 27, 2016) [Retrieved from the internet Feb. 17, 2017, retrieved from the internet URL:<https://www.amazon.com/Fitbit-Bands-AK-Replacement-Metal/dp/B01G1TBJY4>], 5pp.

Fitbit Alta (available online Feb. 4, 2016) [Retrieved from the internet Feb. 24, 2017, retrieved from the internet URL:<https://www.fitbit.com/alta>], 2pp.

Fitbit Flex Wireless Activity + Sleep Wristband, Amazon.com, first reviewed on Apr. 16, 2013, only. Site visited Jul. 22, 2014. Internet URL:<http://www.amazon.com/Fitbit-Wireless-Activity-Sleep-Wristband/dp/B00BGO0Q90/ref=cm_cr_pr_producttop>, 1 page.

Pinterest—The world's catalog of ideas, "Product Teardowns" (available online) [Retrieved from the internet Feb. 27, 2017, retrieved from the internet URL: <https://www.pinterest.com/pin/123356477268447010/>], 3pp.

Suppa G-Shock Strap adapters (available online Dec. 13, 2013) [Retrieved from the internet Feb. 7, 2017, retrieved from the internet URL: <http://forums.watchuseek.com/f17/suppa-g-shock-strap-adapters-954103.html>], 2pp.

Suunto Lug Adapter (available online) [Retrieved from the internet Feb. 7, 2017, retrieved from the internet URL:http://www.imgrum.net/media/805121195814698214_1428232830], 1 page.

U.S. Appl. No. 29/520,607, filed Mar. 16, 2015, Ling et al.

U.S. Appl. No. 29/524,019, filed Apr. 15, 2015, Ling et al.

U.S. Appl. No. 29/524,027, filed Apr. 15, 2015, Ling et al.

U.S. Appl. No. 29/541,361, filed Oct. 2, 2015, Nielsen et al.

U.S. Appl. No. 29/541,365, filed Oct. 2, 2015, Nielsen et al.

U.S. Appl. No. 29/541,368, filed Oct. 2, 2015, Nielsen et al.

- U.S. Appl. No. 29/553,318, filed Jan. 29, 2016, Ling et al.
 U.S. Appl. No. 29/553,921, filed Feb. 5, 2016, Nielsen et al.
 U.S. Appl. No. 29/563,187, filed May 3, 2016, Ling et al.
 U.S. Appl. No. 29/563,190, filed May 3, 2016, Ling et al.
 U.S. Appl. No. 29/563,191, filed May 3, 2016, Ling et al.
 U.S. Appl. No. 29/563,192, filed May 3, 2016, Lowe et al.
 U.S. Appl. No. 29/563,198, filed May 3, 2016, Lowe et al.
 U.S. Appl. No. 29/563,201, filed May 3, 2016, Lowe et al.
 U.S. Appl. No. 29/563,922, filed May 9, 2016, Paschke et al.
 U.S. Appl. No. 29/565,818, filed May 24, 2016, Page et al.
 U.S. Appl. No. 29/568,027, filed Jun. 14, 2016, Paschke et al.
 U.S. Appl. No. 29/568,607, filed Jun. 20, 2016, Paschke et al.
 U.S. Appl. No. 29/569,701, filed Jun. 29, 2016, Nielsen et al.
 U.S. Appl. No. 29/572,967, filed Aug. 1, 2016, Lean et al.
 U.S. Appl. No. 29/575,838, filed Aug. 29, 2016, Lean et al.
 U.S. Appl. No. 29/579,649, filed Sep. 30, 2016, Lean et al.
 U.S. Appl. No. 29/585,891, filed Nov. 29, 2016, Nielsen et al.
 U.S. Appl. No. 29/602,541, filed May 1, 2017, Paschke et al.
 U.S. Appl. No. 29/625,507, filed Nov. 9, 2017, Page et al.
 U.S. Appl. No. 29/630,160, filed Dec. 9, 2017, Paschke et al.
 U.S. Notice of Allowance, dated Feb. 4, 2016, issued in U.S. Appl. No. 29/520,607.
 U.S. Office Action [Ex Parte Quayle], dated Apr. 4, 2017, issued in U.S. Appl. No. 29/524,019.
 U.S. Notice of Allowance, dated Aug. 9, 2017, issued in U.S. Appl. No. 29/524,019.
 U.S. Notice of Allowance [Corrected Notice of Allowability for a Design Application], dated Dec. 12, 2017, issued in U.S. Appl. No. 29/524,019.
 U.S. Office Action, dated Sep. 29, 2016, issued in U.S. Appl. No. 29/524,027.
 U.S. Notice of Allowance, dated Oct. 24, 2017, issued in U.S. Appl. No. 29/585,891.
 U.S. Notice of Allowance, dated Aug. 8, 2017, issued in U.S. Appl. No. 29/541,361.
 U.S. Notice of Allowance [Corrected Notice of Allowability for a Design Application], dated Dec. 1, 2017, issued in U.S. Appl. No. 29/541,361.
 U.S. Notice of Allowance, dated Sep. 28, 2017, issued in U.S. Appl. No. 29/563,187.
 U.S. Notice of Allowance [Corrected Notice of Allowability], dated Jan. 11, 2018, issued in U.S. Appl. No. 29/563,187.
 U.S. Office Action, dated Mar. 27, 2017, issued in U.S. Appl. No. 29/563,190.
 U.S. Notice of Allowance, dated Sep. 25, 2017, issued in U.S. Appl. No. 29/563,190.
 U.S. Notice of Allowance [Corrected Notice of Allowability], dated Jan. 11, 2018, issued in U.S. Appl. No. 29/563,190.
 U.S. Office Action, dated Sep. 22, 2017, issued in U.S. Appl. No. 29/563,192.
 U.S. Notice of Allowance, dated Jan. 26, 2018, issued in U.S. Appl. No. 29/563,192.
 U.S. Office Action, dated Feb. 10, 2017, issued in U.S. Appl. No. 29/563,198.
 U.S. Notice of Allowance, dated Jul. 25, 2017, issued in U.S. Appl. No. 29/563,198.
 U.S. Office Action dated Mar. 23, 2017, issued in U.S. Appl. No. 29/563,201.
 U.S. Notice of Allowance dated Aug. 25, 2017, issued in U.S. Appl. No. 29/563,201.
 U.S. Notice of Allowance [Corrected Notice of Allowability] dated Dec. 7, 2017, issued in U.S. Appl. No. 29/563,201.
 U.S. Office Action dated Aug. 24, 2017, issued in U.S. Appl. No. 29/568,027.
 U.S. Final Office Action dated Feb. 8, 2018, issued in U.S. Appl. No. 29/568,027.
 U.S. Office Action dated Aug. 24, 2017, issued in U.S. Appl. No. 29/568,607.
 U.S. Notice of Allowance dated Jan. 17, 2018, issued in U.S. Appl. No. 29/568,607.
 U.S. Corrected Notice of Allowance dated Feb. 13, 2018, issued in U.S. Appl. No. 29/568,607.
- U.S. Office Action dated Oct. 5, 2017, issued in U.S. Appl. No. 29/575,838.
 U.S. Notice of Allowance dated Feb. 13, 2018, issued in U.S. Appl. No. 29/575,838.
 U.S. Office Action dated Oct. 5, 2017, issued in U.S. Appl. No. 29/579,649.
 U.S. Notice of Allowance dated Feb. 7, 2018, issued in U.S. Appl. No. 29/579,649.
 U.S. Appl. No. 29/540,741, filed Sep. 28, 2015, applicant Fitbit, Inc.
 U.S. Appl. No. 29/593,260, filed Feb. 7, 2017, applicant Fitbit, Inc.
 U.S. Appl. No. 29/593,261, filed Feb. 7, 2017, applicant Fitbit, Inc.
 U.S. Appl. No. 29/596,216, filed Mar. 6, 2017, applicant Fitbit, Inc.
 U.S. Appl. No. 29/522,858, filed Apr. 2, 2015, applicant Fitbit, Inc.
 U.S. Appl. No. 29/625,052, filed Nov. 7, 2017, applicant Fitbit, Inc.
 U.S. Appl. No. 29/522,853, filed Apr. 2, 2015, applicant Fitbit, Inc.
 U.S. Appl. No. 29/614,479, filed Aug. 18, 2017, applicant Fitbit, Inc.
 U.S. Appl. No. 29/568,588, filed Jun. 20, 2016, applicant Fitbit, Inc.
 U.S. Appl. No. 29/621,239, filed Oct. 5, 2017, applicant Fitbit, Inc.
 U.S. Appl. No. 29/614,464, filed Aug. 18, 2017, applicant Fitbit, Inc.
 U.S. Appl. No. 29/548,501, filed Dec. 14, 2015, applicant Fitbit, Inc.
 U.S. Appl. No. 29/564,199, filed May 11, 2016, applicant Fitbit, Inc.
 Citrine by the Stones Sol Forearm Band for sale at Shopbop (www.shopbop.com). Website accessed Nov. 11, 2018.
 Gorjana Mia Wrap Cuff for sale at Shopbop (www.shopbop.com). Website accessed Nov. 11, 2018.
 Marc by Marc Jacobs Engraved Turlock Leather Bangle Bracelet for sale at Shopbop (www.shopbop.com). Website accessed Nov. 11, 2018.
 Monserat de Lucca Measuring Tape Bracelet for sale at Shopbop (www.shopbop.com). Website accessed Nov. 11, 2018.
 ACBEE Replacement watch band with buckle for Fitbit Alta for sale at www.amazon.com, Website accessed Nov. 7, 2018.
 Perfit rubber watch band with double prong buckle and spring bars for sale at www.amazon.com. Website accessed Nov. 7, 2018.
 Waterproof diving silicone rubber strap with clasp for sale at www.aliexpress.com (Alibaba Group). Website accessed Feb. 7, 2018.
 Damusy Fitness Tracker Smart Band for sale at www.activityandfitness trackers.com. Website accessed Nov. 10, 2018.
 Volemer F09HR Smart Band Fitness Tracker for sale at www.epaky.com. Website accessed Nov. 10, 2018.
 “First Look: Fitbit announces new Fitbit Alta activity tracker”, published Feb. 3, 2016 on DC Rainmaker (www.dcrainmaker.com). Website accessed Nov. 10, 2018.
 GK Fitbit Alta Bands—replacement sport strap bands for Fitbit Alta for sale at Walmart (www.walmart.com). Website accessed Nov. 7, 2018.
 Pro Elite Medicine Ball by Power Systems (www.power-systems.com). Website accessed Feb. 7, 2018.
 Fitbit Alta review published Mar. 25, 2016 on CNet (www.cnet.com). Website accessed 2018-11-110.
 Fitbit Charge 2 Heart Rate and Fitness Wristband for sale at www.amazon.co.uk. Website accessed Feb. 7, 2018.
 Replacement metal watch band Connector for Fitbit Alta/Fitbit Alta HR for sale at Banggood (www.banggood.com). Website accessed Nov. 10, 2018.
 Fitbit Ionic Accessory Band for sale at Nordstrom (https://shop.nordstrom.com). Website accessed Nov. 7, 2018.
 Fitbit Alta HR Bands for sale at the Fitness Equipment Shop (www.thefitness equipments shop.com). Website accessed Nov. 17, 2018.
 Luminox Replacement Rubber Watch Band Strap for sale at Walmart (www.walmart.com). Website accessed Nov. 7, 2018.
 “MPOW DS-D6 Fitness Band Review” published Jan. 13, 2018 on ZeroAir (www.zeroair.wordpress.com). Website accessed Nov. 10, 2018.

* cited by examiner

Primary Examiner — Kevin K Rudzinsky

Assistant Examiner — Richard Kearney
(74) *Attorney, Agent, or Firm* — Polson Intellectual
Property Law, PC; Margaret Polson

(57) **CLAIM**

We claim the ornamental design for a wrist wearable fitness band tracker, as shown and described.

DESCRIPTION

FIG. 1 shows an isometric view of a wrist wearable fitness band tracker.

FIG. 2 shows another isometric view of FIG. 1.

FIG. 3 shows an underside isometric view FIG. 1.

FIG. 4 shows another underside isometric view of FIG. 1.

FIG. 5 shows a bottom view of FIG. 1.

FIG. 6 shows a top view of FIG. 1.

FIG. 7 shows a rear view of FIG. 1.

FIG. 8 shows a front view of FIG. 1.

FIG. 9 shows a left view of FIG. 1; and,

FIG. 10 shows a right view of FIG. 1.

The stipple shading shown in the drawings is to indicate surface contours and not texture. The broken lines and non-shaded areas illustrate environmental structure which forms no part of the claimed design. The case portion has transparent or translucent window regions; the window regions are not stipple shaded in the accompanying pictures and are further indicated by diagonal line hatching.

In the Figures, solid lines with a lighter line weight are used to indicate tangent edges of the claimed design and provide better understanding as to the contours of the claimed design. It is to be understood that such lighter-weight solid lines are not actually part of the ornamental design, but are merely provided as a visual aid to allow better understanding of the contours in the ornamental design.

1 Claim, 8 Drawing Sheets

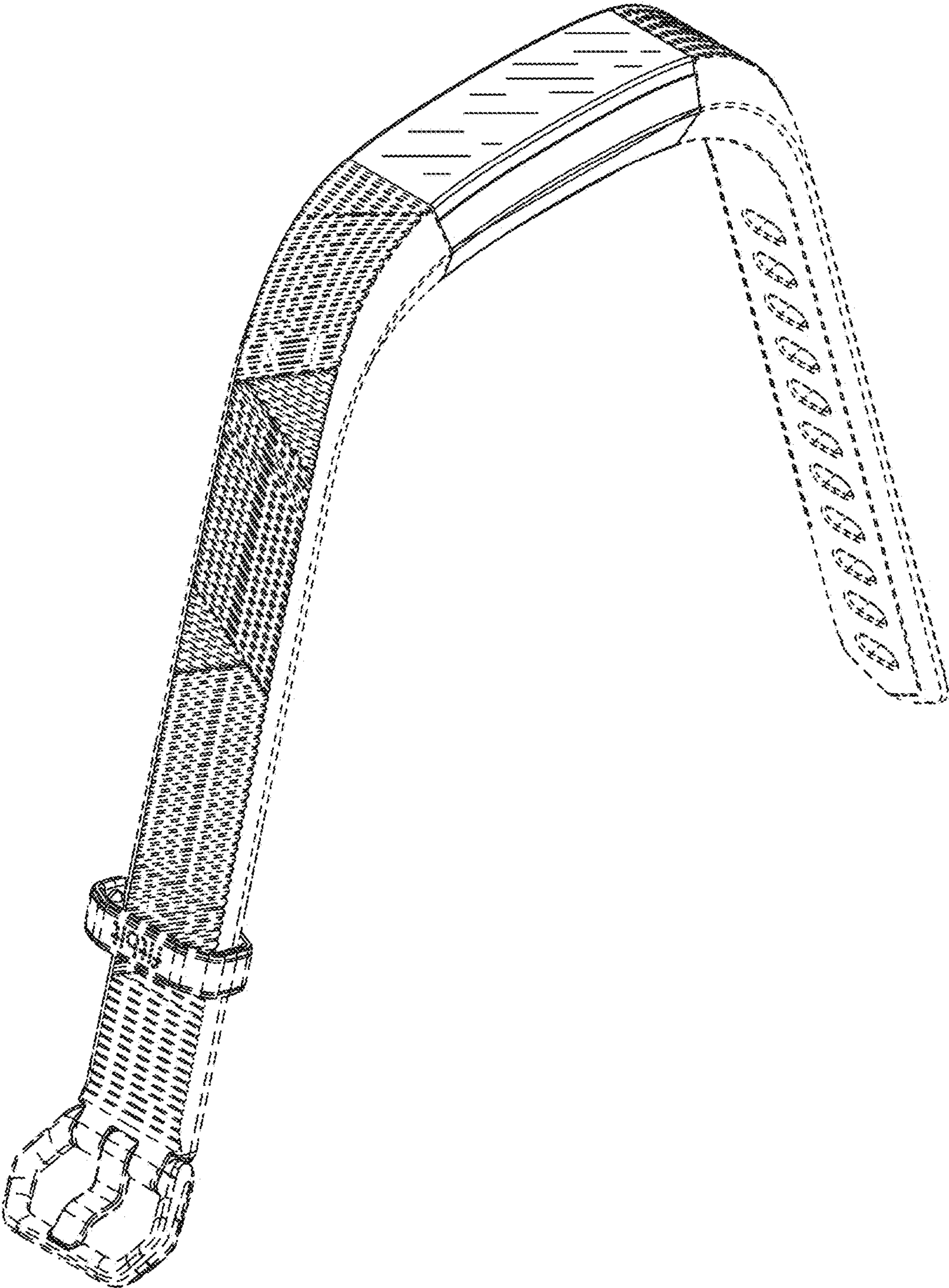


Figure 1

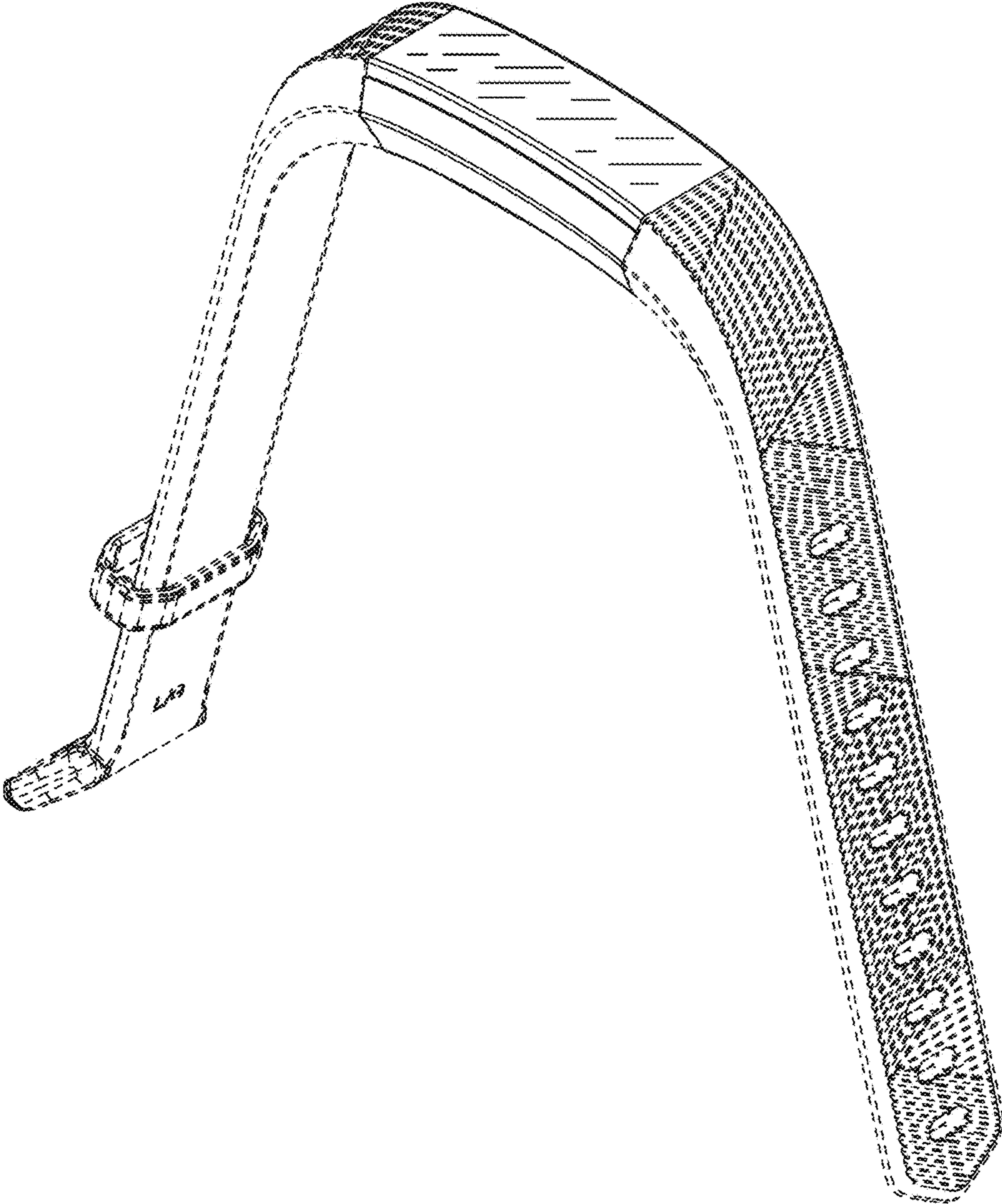


Figure 2

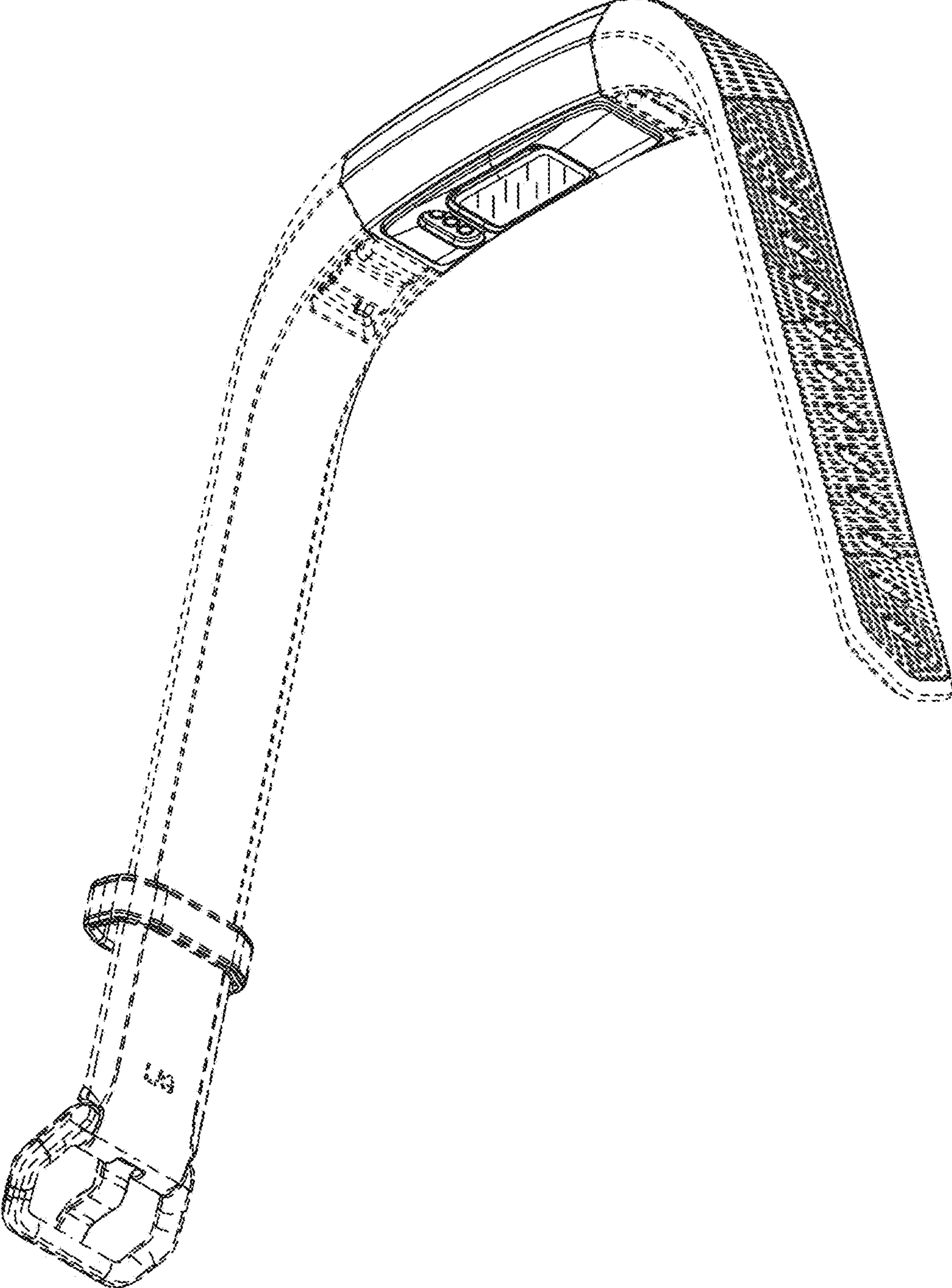


Figure 3

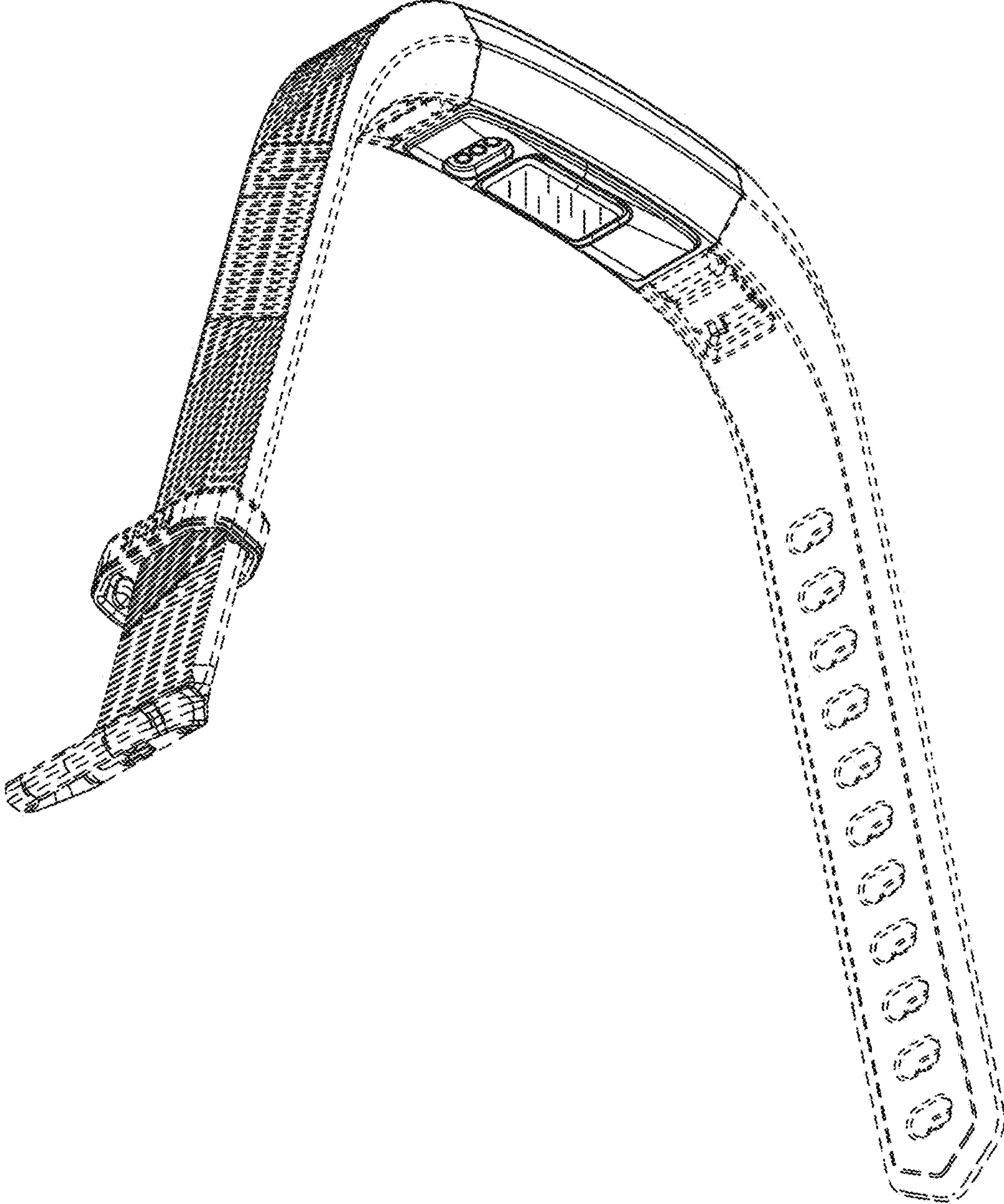


Figure 4

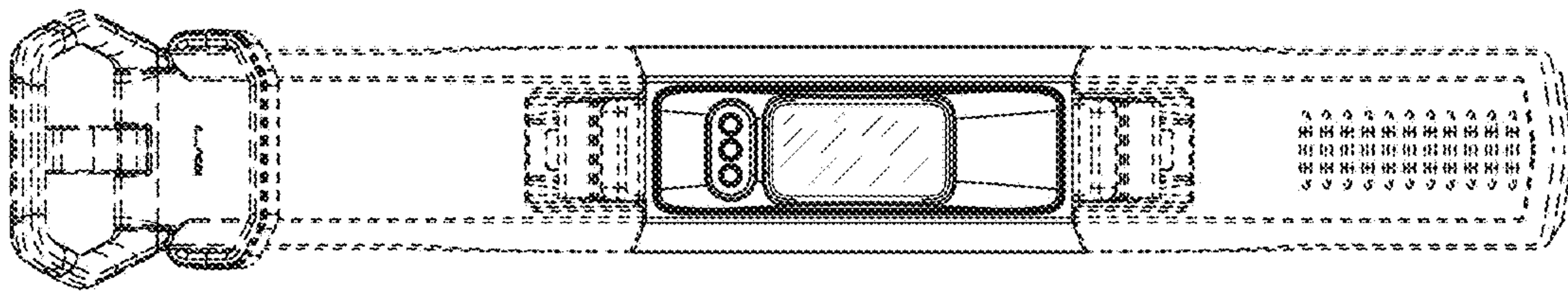


Figure 5

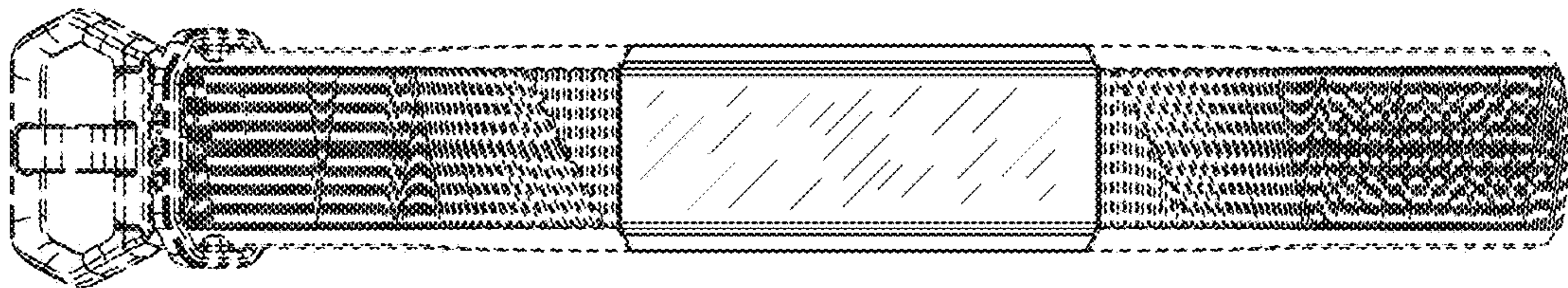


Figure 6

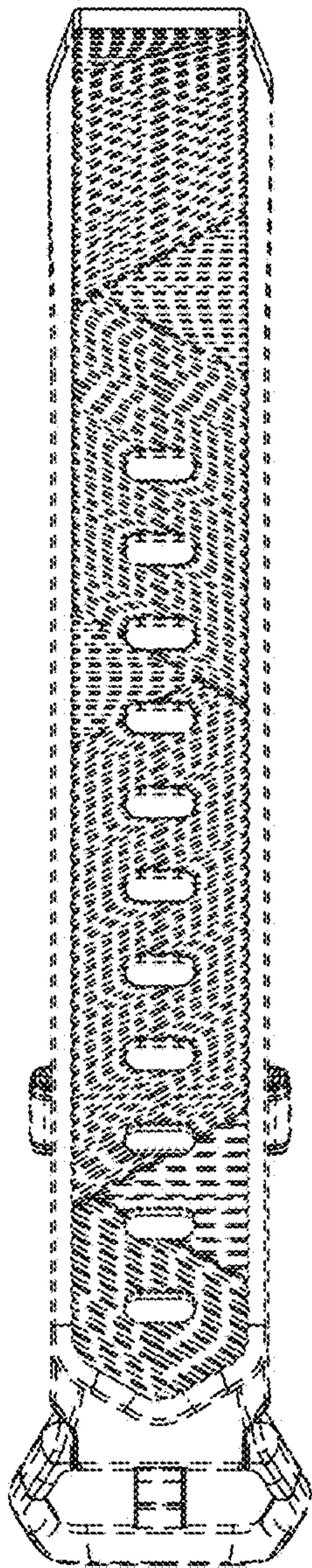


Figure 7

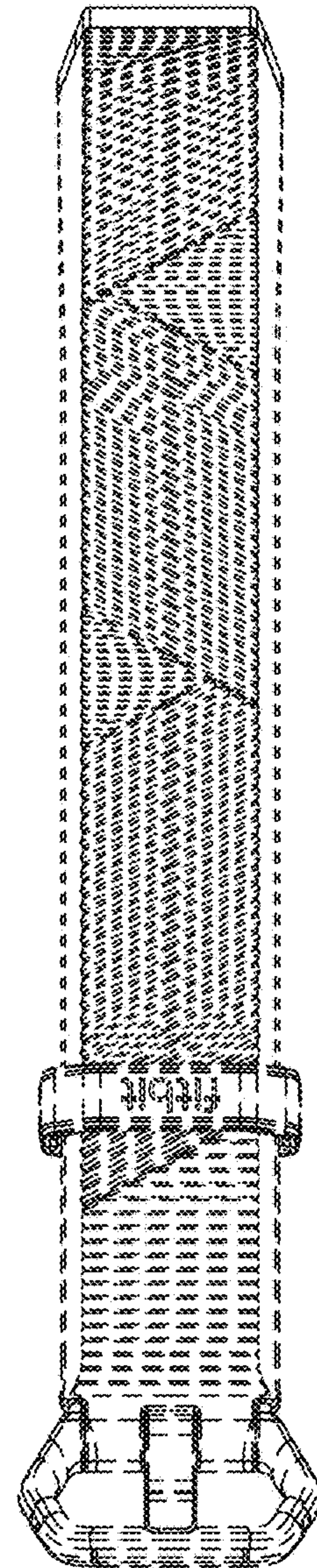


Figure 8

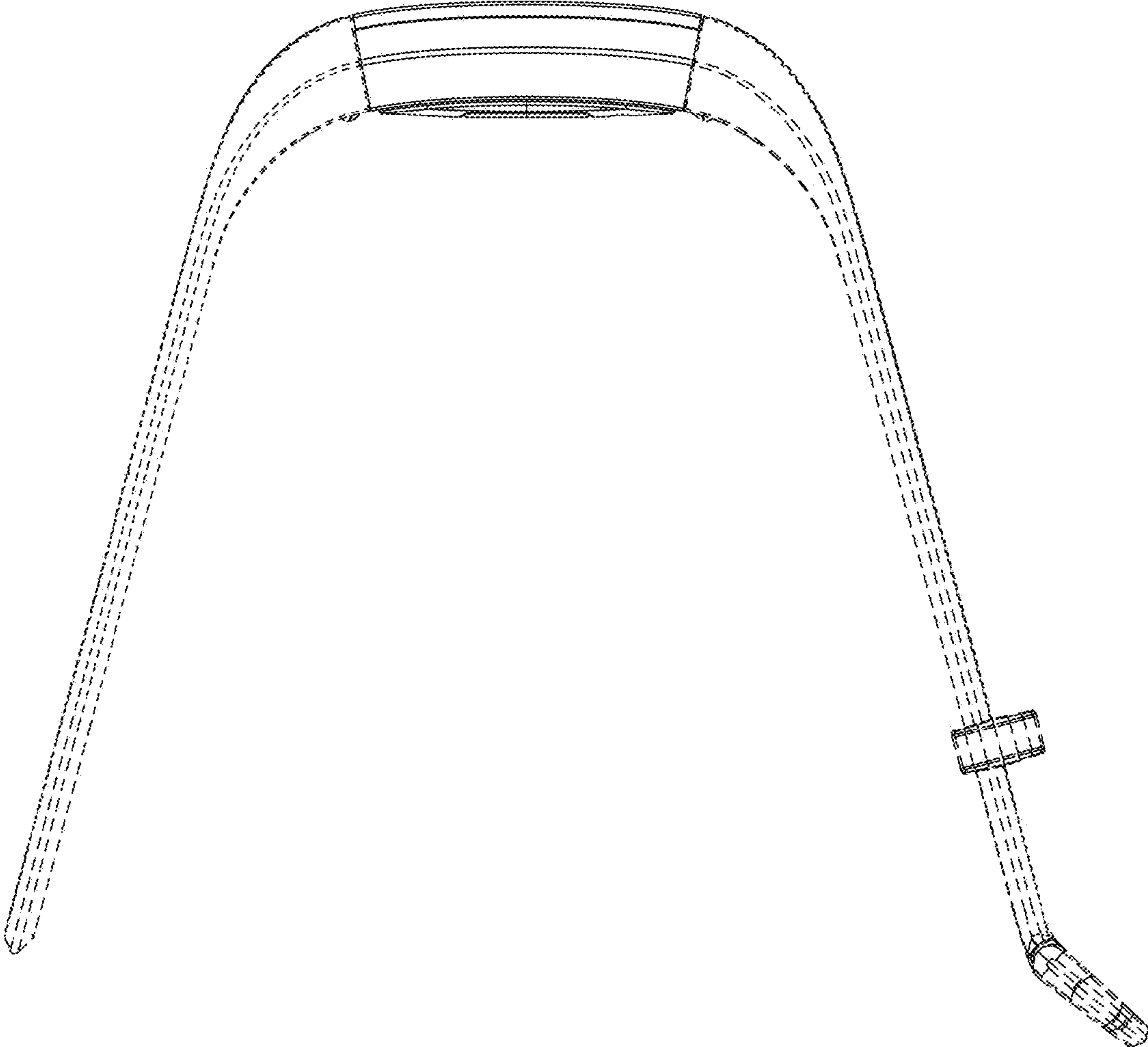


Figure 9

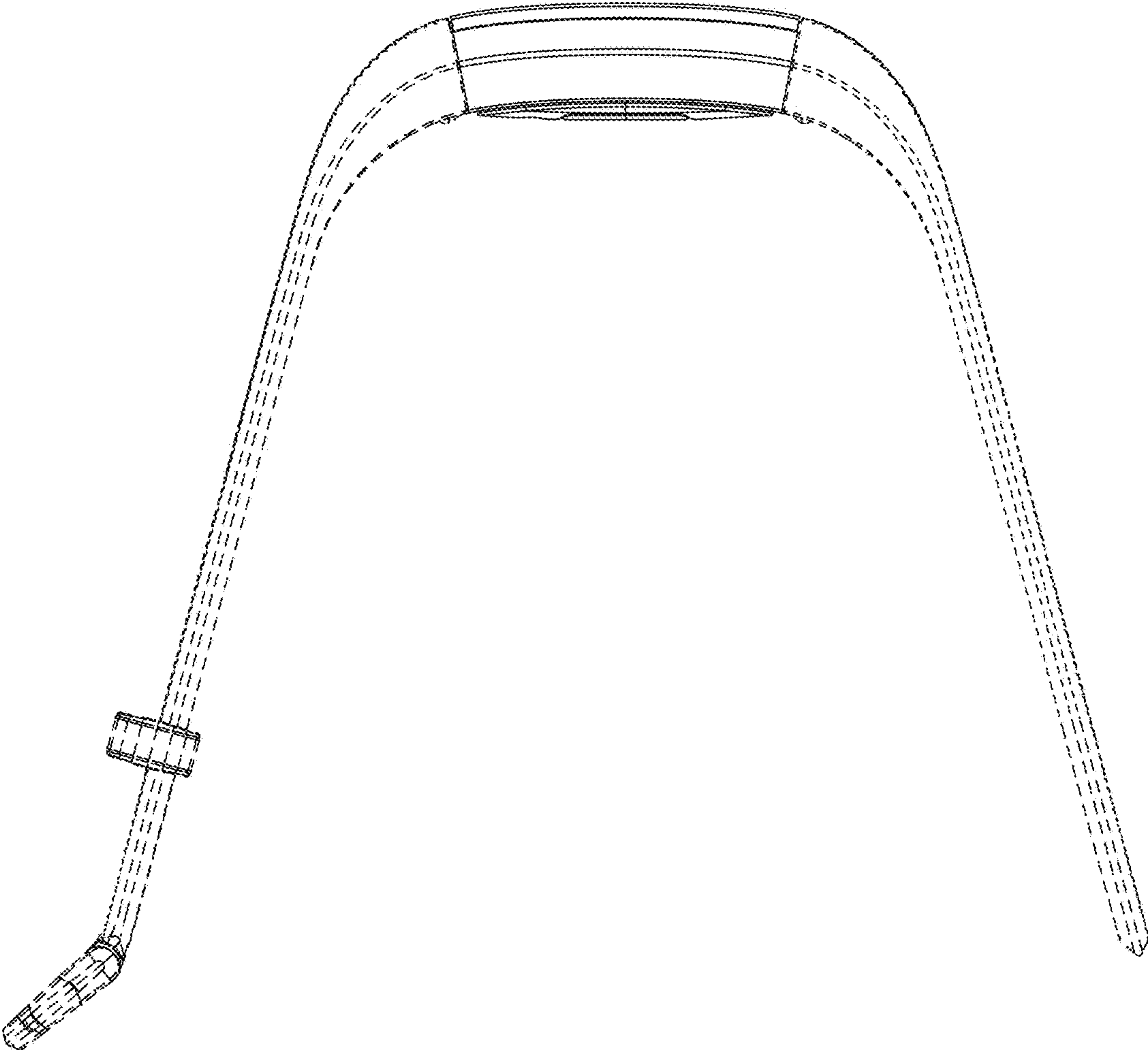


Figure 10