



US00D848874S

(12) **United States Design Patent**
Johnson

(10) **Patent No.:** **US D848,874 S**

(45) **Date of Patent:** **** May 21, 2019**

(54) **MATERIAL LEVEL INDICATOR ACTUATOR**

(71) Applicant: **Thomas C. Johnson**, Roseau, MN (US)

(72) Inventor: **Thomas C. Johnson**, Roseau, MN (US)

(73) Assignee: **LTJ ENTERPRISES, INC.**, Roseau, MN (US)

(**) Term: **15 Years**

(21) Appl. No.: **29/610,897**

(22) Filed: **Jul. 17, 2017**

(51) **LOC (11) Cl.** **10-04**

(52) **U.S. Cl.**
USPC **D10/69**

(58) **Field of Classification Search**

USPC D10/101, 102, 103, 69

CPC G01F 23/02; G01F 23/161; G01F 23/162;

G01F 23/164; G01F 23/205; G01F

23/0007; G01F 23/003; G01F 23/00;

G01F 19/00; B65D 90/48; B65D 90/0091

See application file for complete search history.

(56) **References Cited**

U.S. PATENT DOCUMENTS

910,606 A * 1/1909 Swanson
3,685,356 A * 8/1972 Zimmerman G01F 23/003
116/200

4,799,383 A 1/1989 Johnson et al.
4,829,820 A 5/1989 Johnson et al.
5,088,323 A 2/1992 Johnson et al.
6,067,927 A 5/2000 Johnson et al.
2016/0216147 A1 7/2016 Johnson

* cited by examiner

Primary Examiner — Antoine Duval Davis

(74) *Attorney, Agent, or Firm* — Richard John Bartz

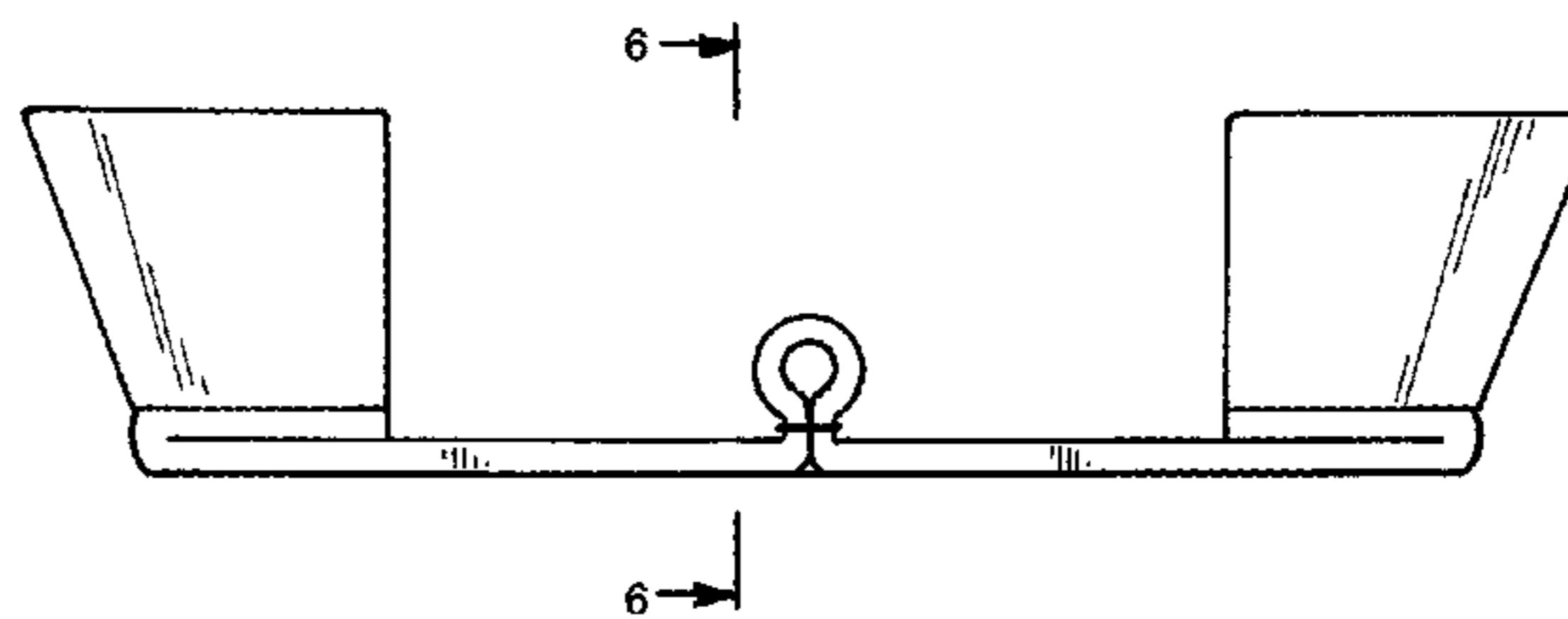
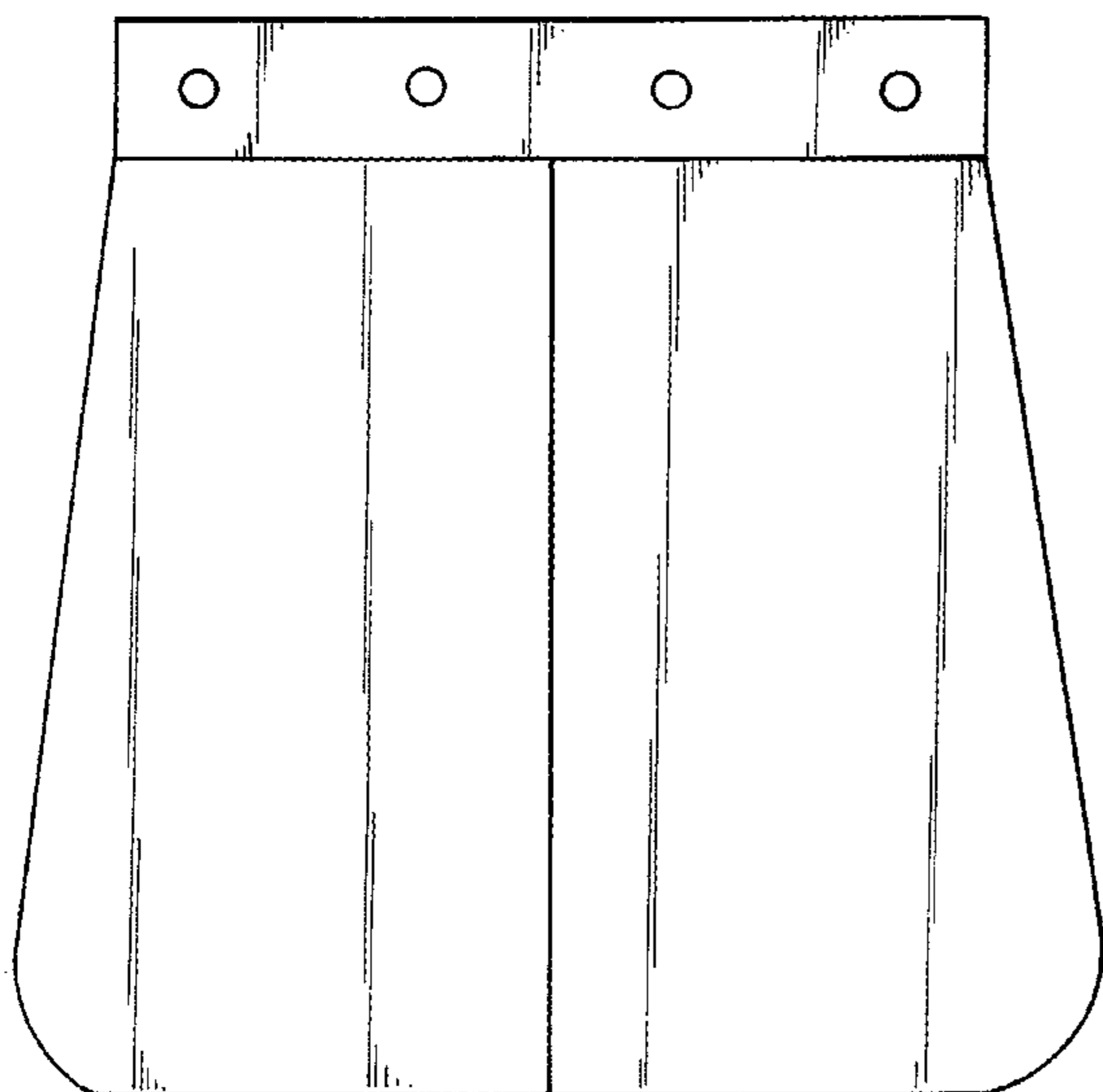
(57) **CLAIM**

I claim the ornamental design for a material level indicator actuator, as shown and described.

DESCRIPTION

FIG. 1 is a front elevational view of a material level indicator actuator showing my new design; FIG. 2 is a top plan view thereof; FIG. 3 is a bottom plan view thereof; FIG. 4 is a right side elevational view thereof; FIG. 5 is a left side elevational view thereof; FIG. 6 is a sectional view taken along line 6-6 of FIG. 2; and, FIG. 7 is a rear elevational view thereof.

1 Claim, 4 Drawing Sheets



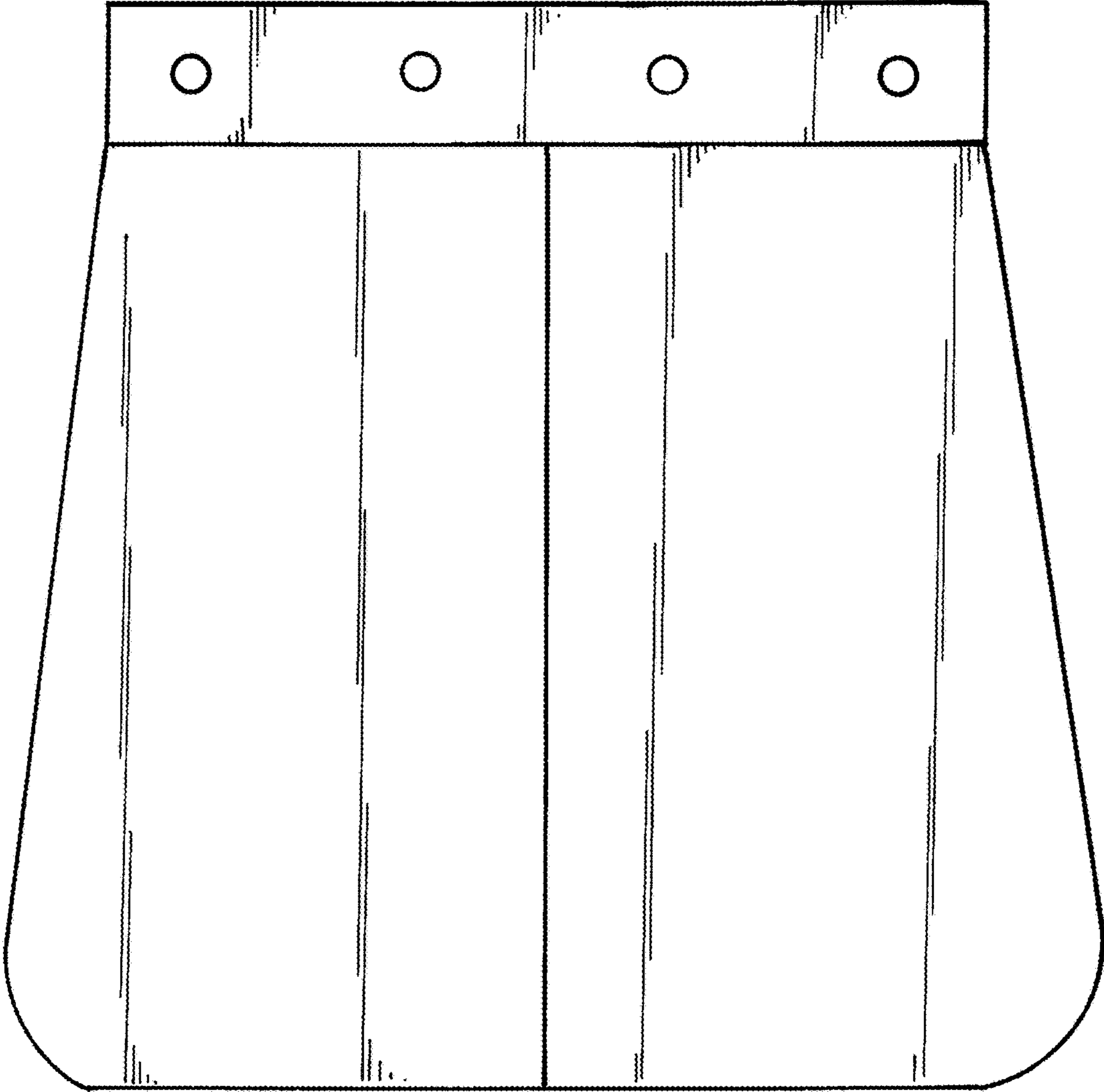


FIG.1

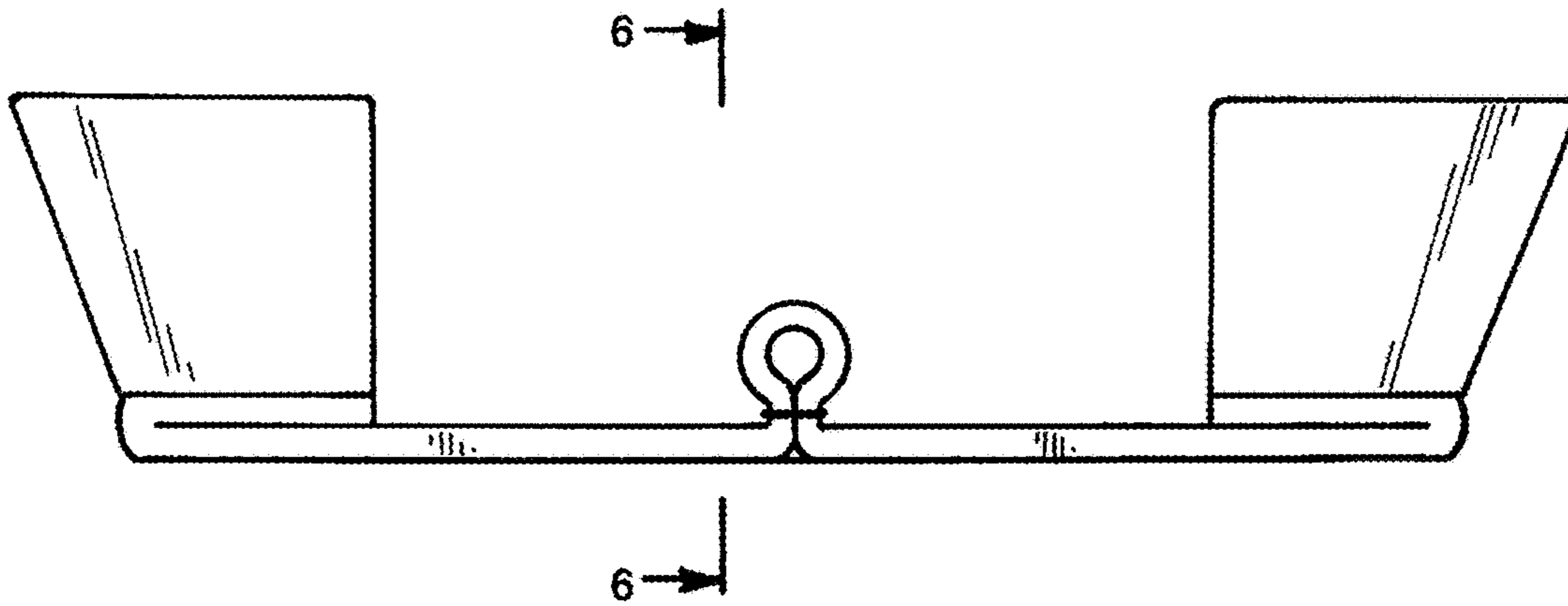


FIG. 2

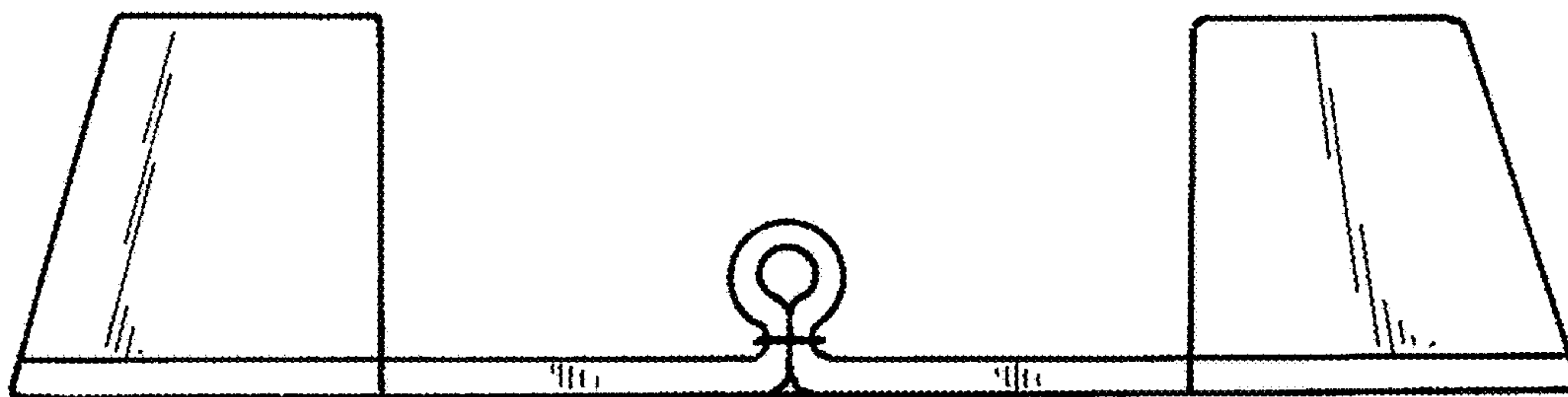


FIG. 3

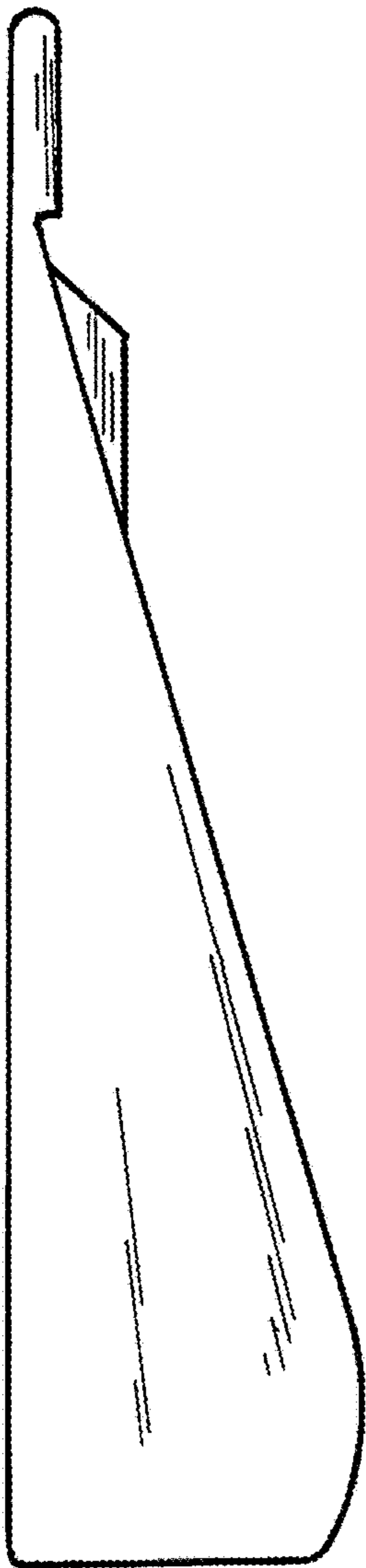


FIG. 4

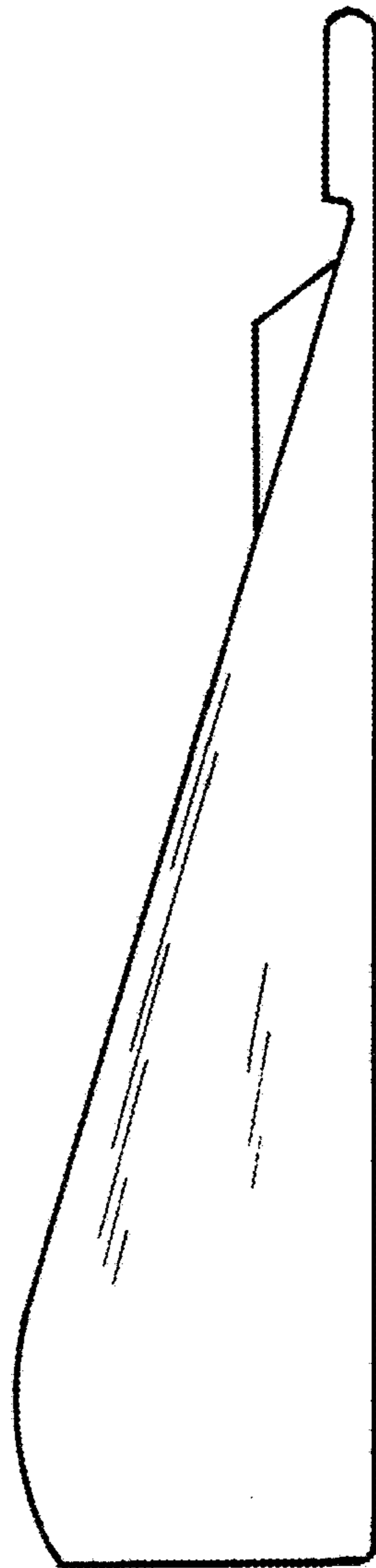


FIG. 5

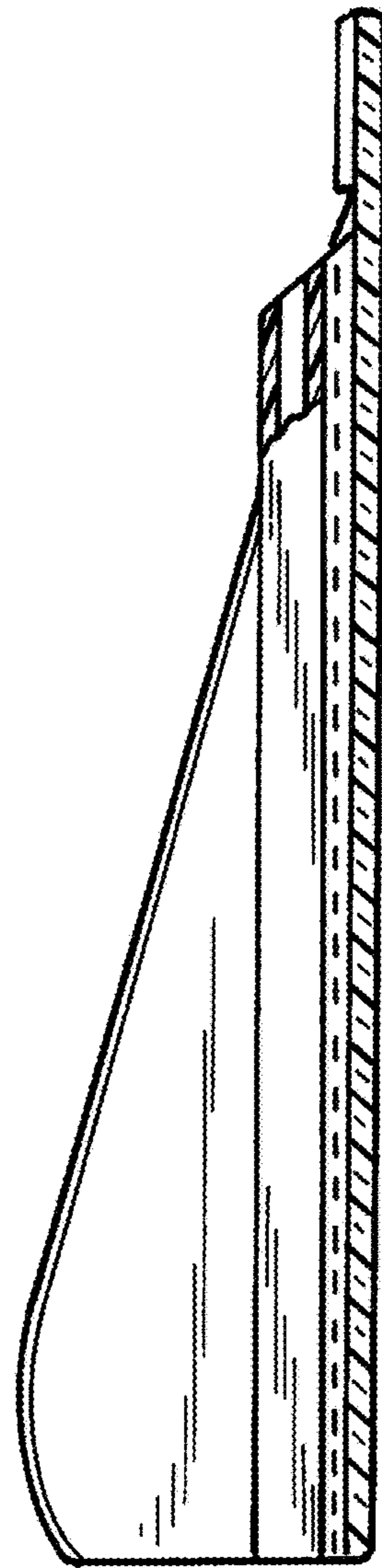


FIG. 6

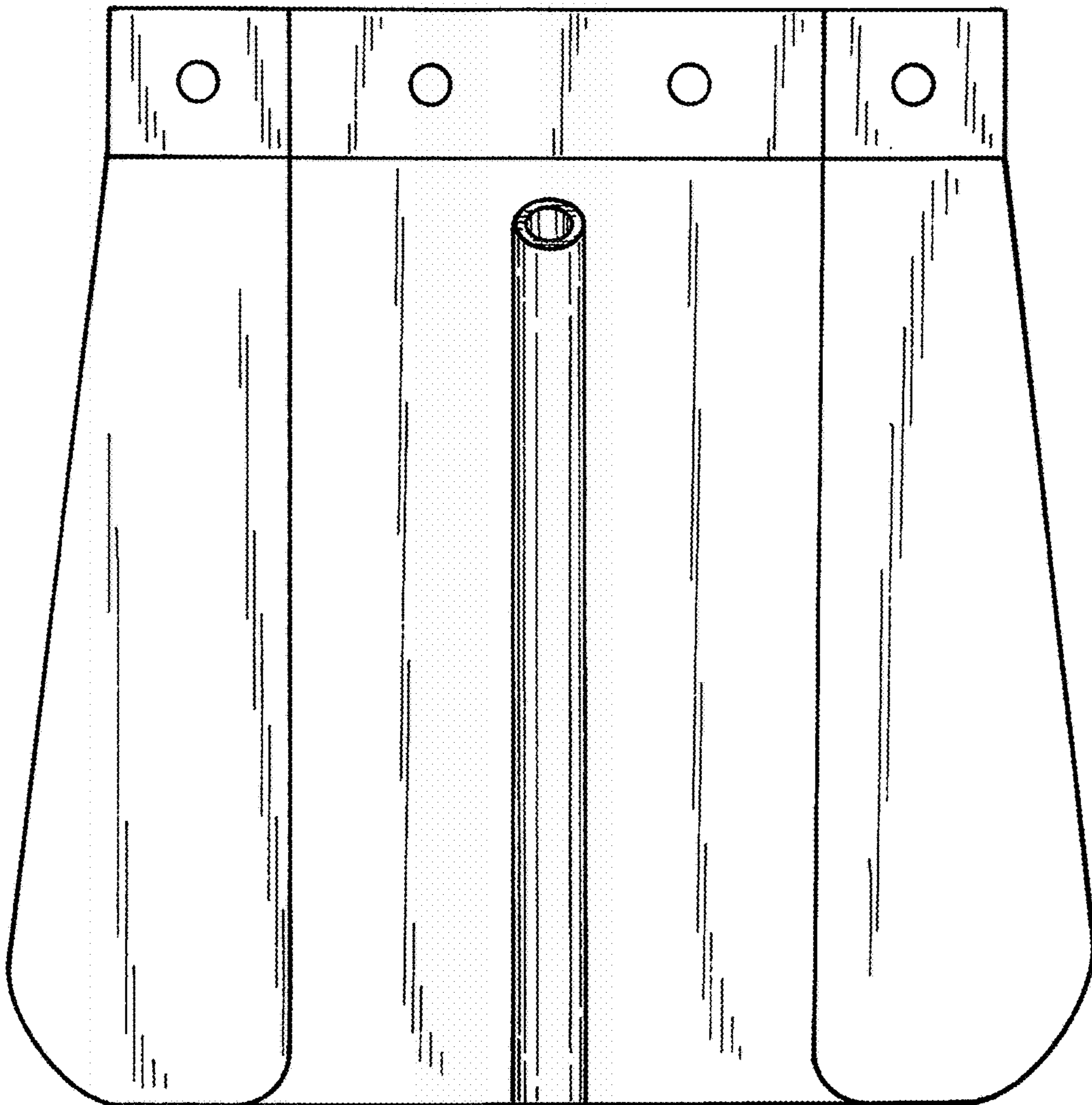


FIG.7