



US00D848871S

(12) **United States Design Patent**  
**Shao**

(10) **Patent No.:** **US D848,871 S**

(45) **Date of Patent:** **\*\* May 21, 2019**

(54) **WALL DETECTOR**

(71) Applicant: **Shenzhen Aokehai Electronic Commerce co., Ltd.**, Shenzhen (CN)

(72) Inventor: **Zelong Shao**, Shenzhen (CN)

(\*\*) Term: **15 Years**

(21) Appl. No.: **29/629,505**

(22) Filed: **Dec. 13, 2017**

(51) **LOC (11) Cl.** ..... **10-04**

(52) **U.S. Cl.**  
USPC ..... **D10/65; D10/78**

(58) **Field of Classification Search**

USPC ..... D10/65, 78  
CPC . G01V 3/08; G01V 3/088; G01V 3/15; G01V 3/16; G01V 3/165; G01V 3/17; G01V 3/175

See application file for complete search history.

(56) **References Cited**

**U.S. PATENT DOCUMENTS**

7,193,405 B2 \* 3/2007 Murray ..... G01V 3/15  
324/326

D609,590 S \* 2/2010 Jansheski ..... D28/66

9,508,244 B2 \* 11/2016 Wingate ..... G01V 3/15

\* cited by examiner

*Primary Examiner* — Antoine Duval Davis

(74) *Attorney, Agent, or Firm* — Yanling Jiang

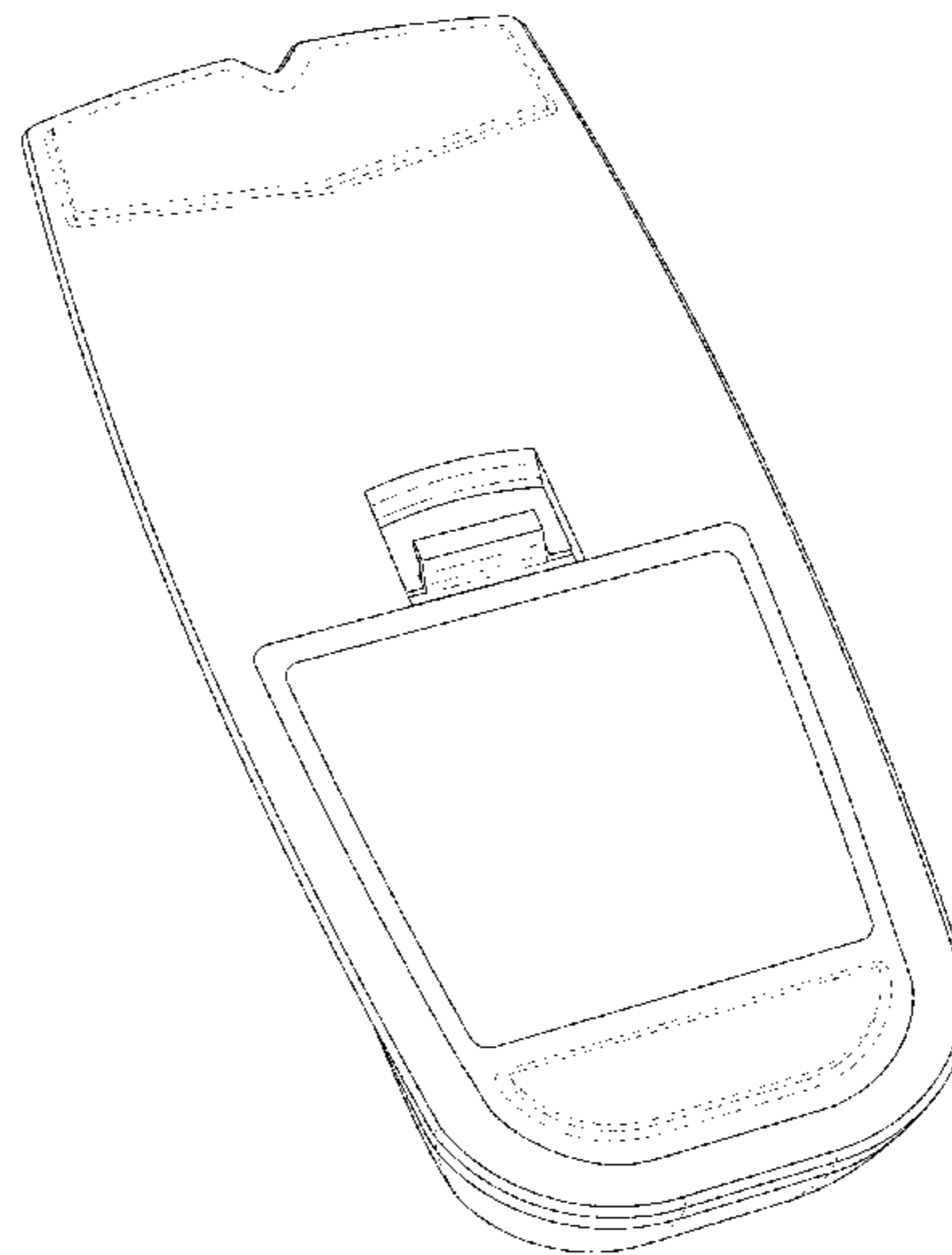
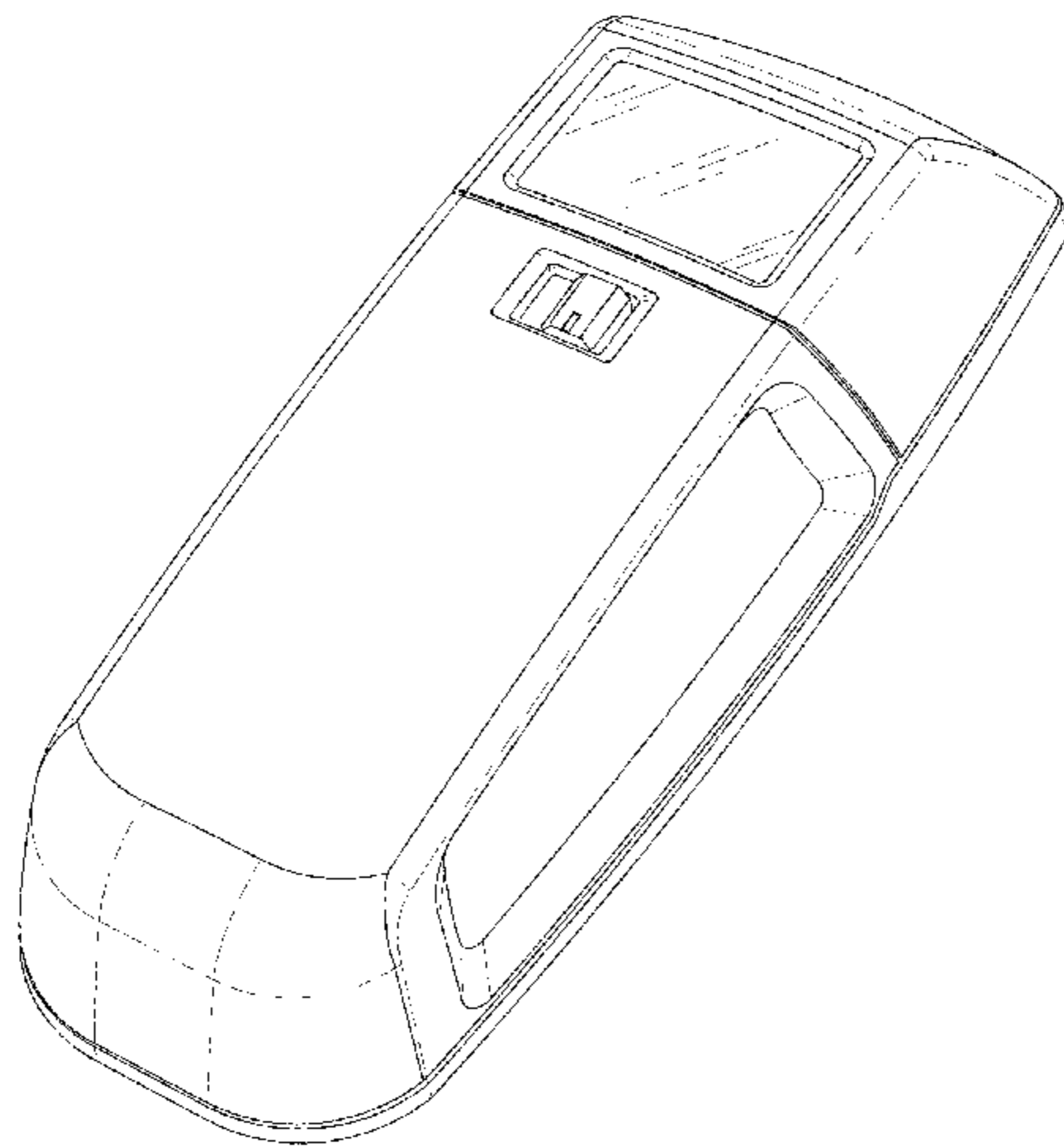
(57) **CLAIM**

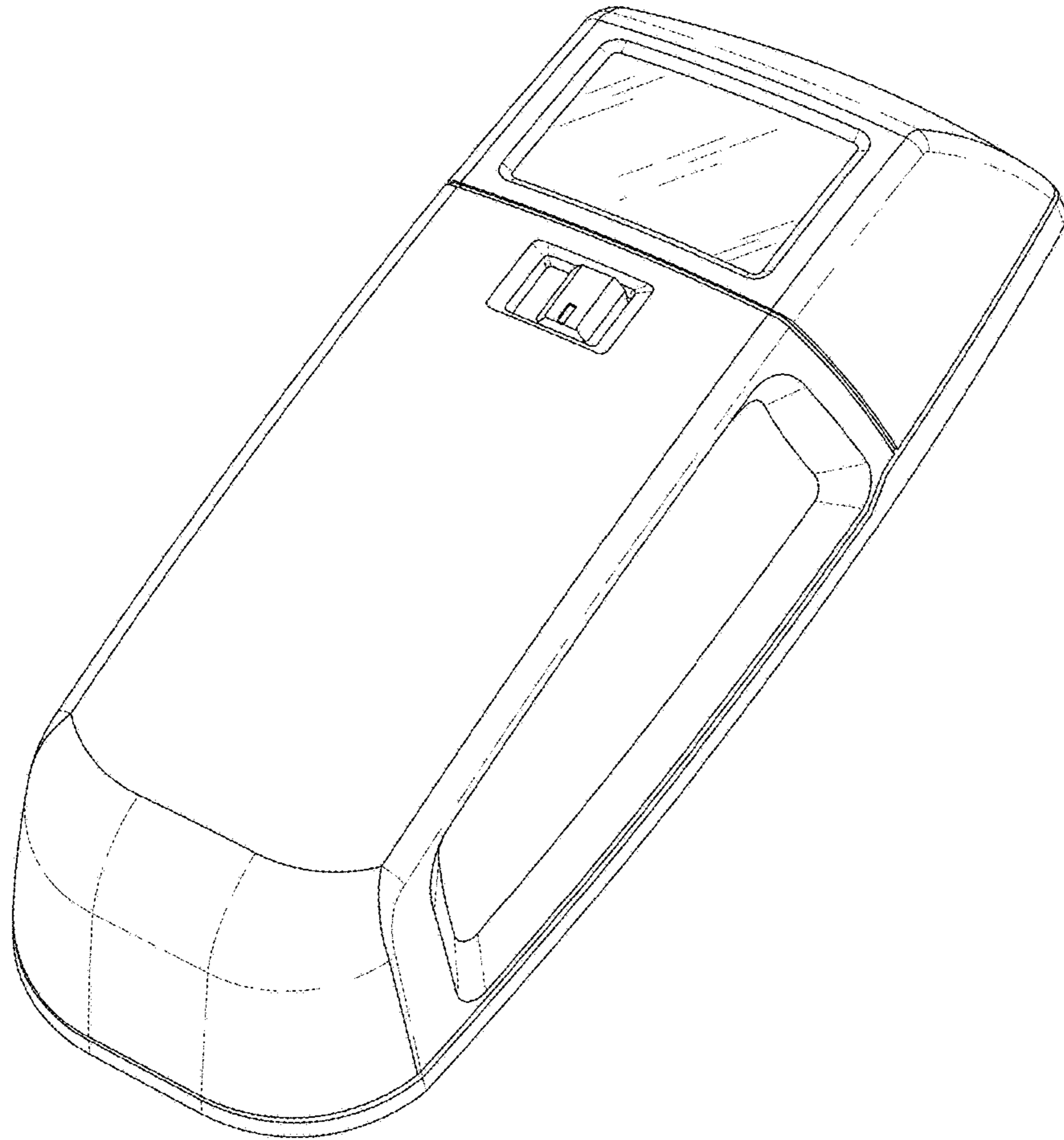
The ornamental design for a wall detector, as shown and described.

**DESCRIPTION**

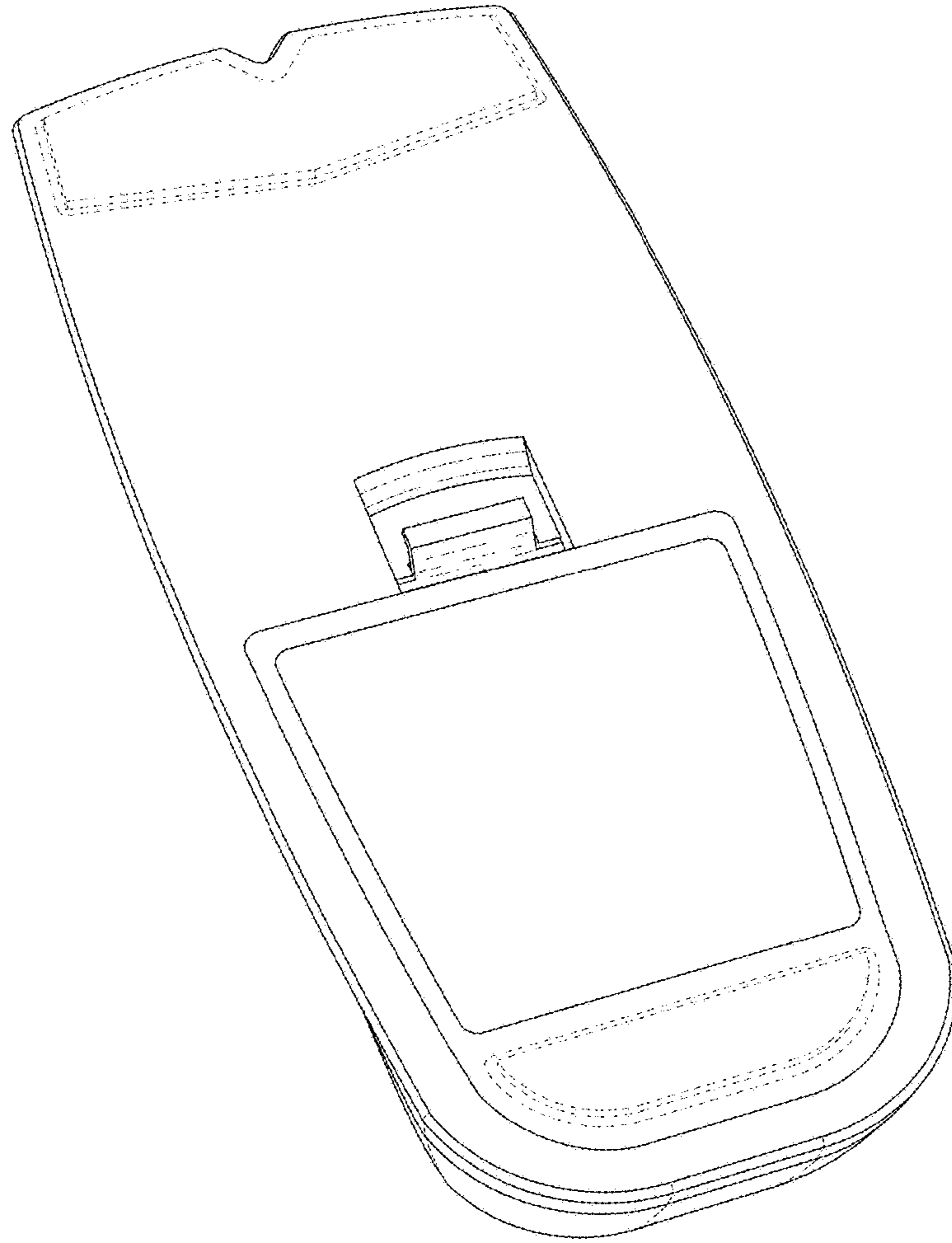
FIG. 1 is a perspective view showing a wall detector.  
FIG. 2 is another perspective view showing a wall detector.  
FIG. 3 is a front view of a wall detector.  
FIG. 4 is a rear view of a wall detector.  
FIG. 5 is a top view of a wall detector.  
FIG. 6 is a bottom view of a wall detector.  
FIG. 7 is a side view of a wall detector; and,  
FIG. 8 is the opposite side view of a wall detector.  
The broken line showing of structural features is included for the purpose of illustrating non-claimed subject matter and forms no part of the claimed design.

**1 Claim, 8 Drawing Sheets**

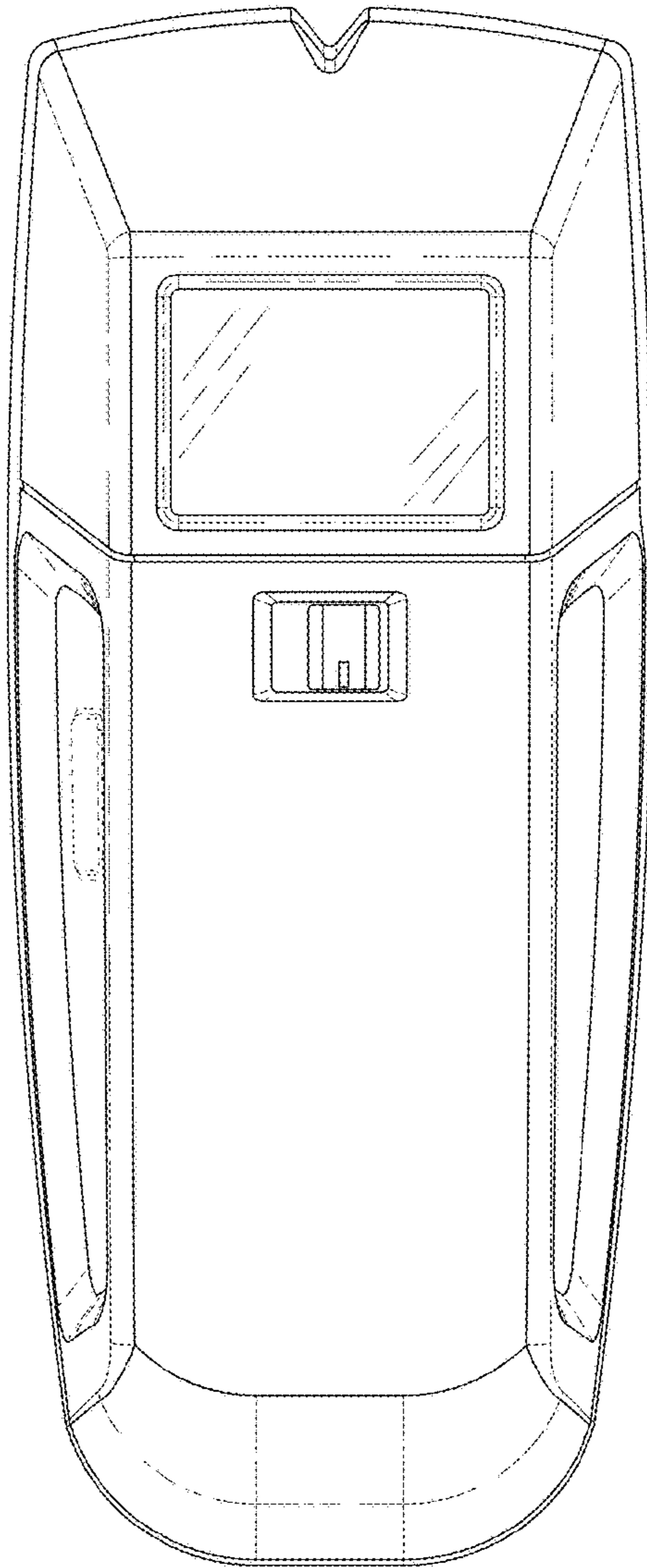




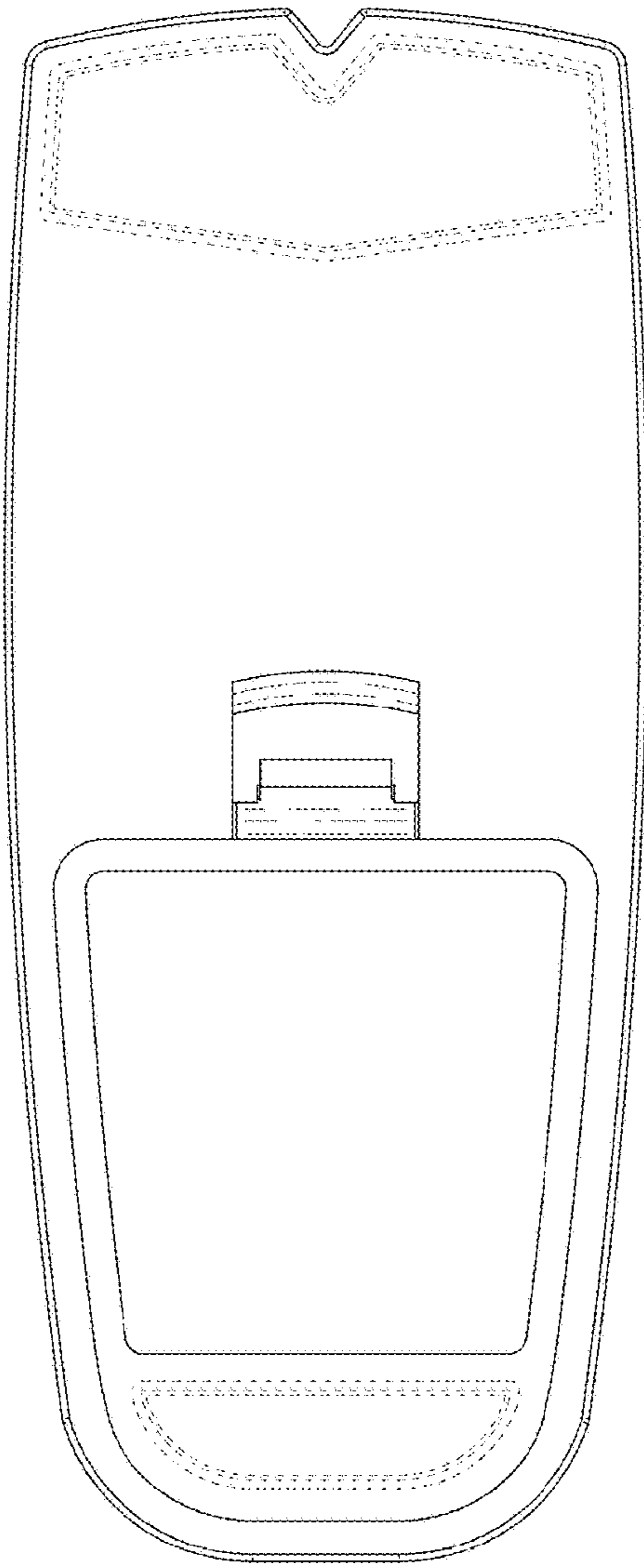
**Fig. 1**



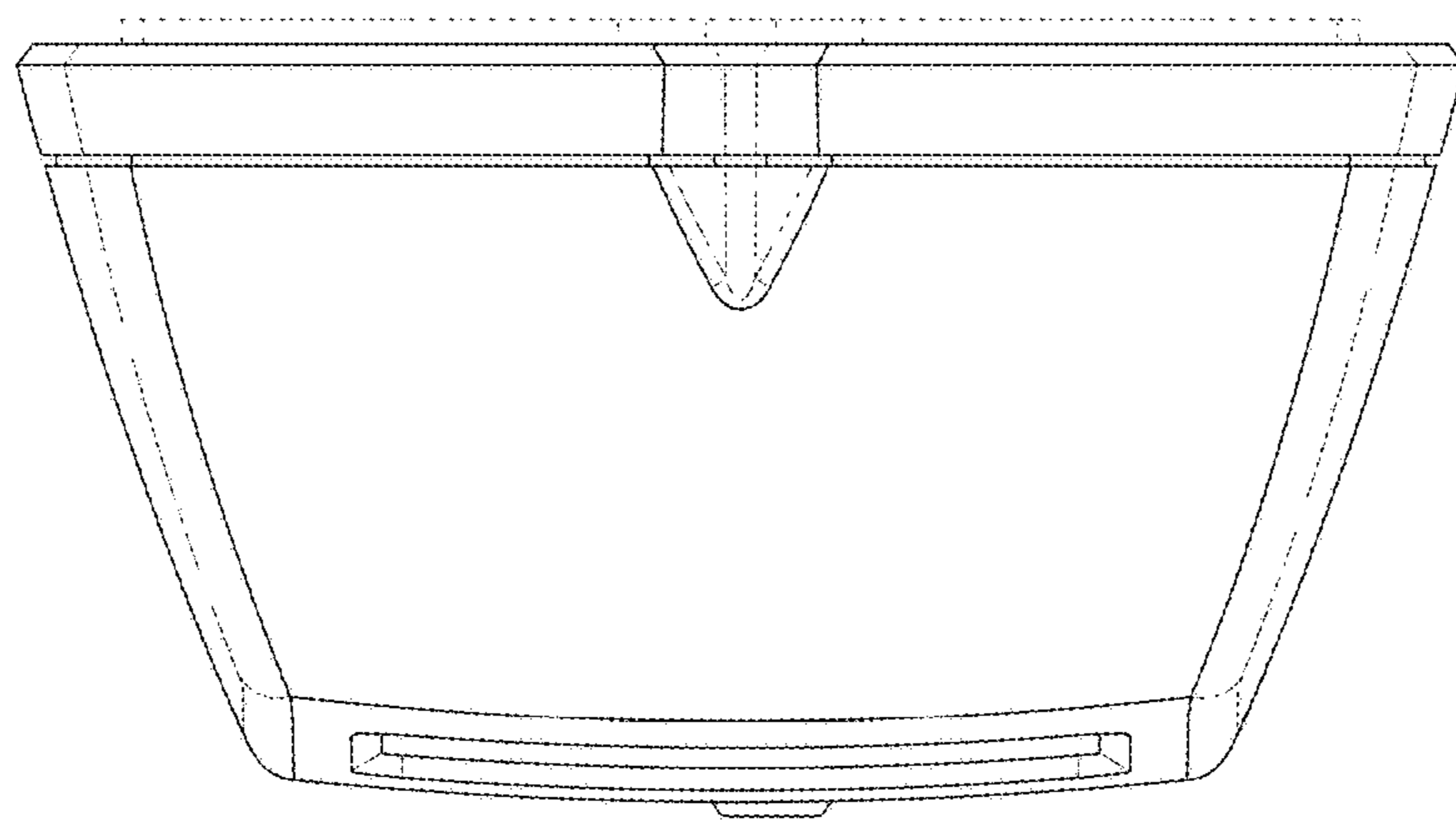
**Fig. 2**



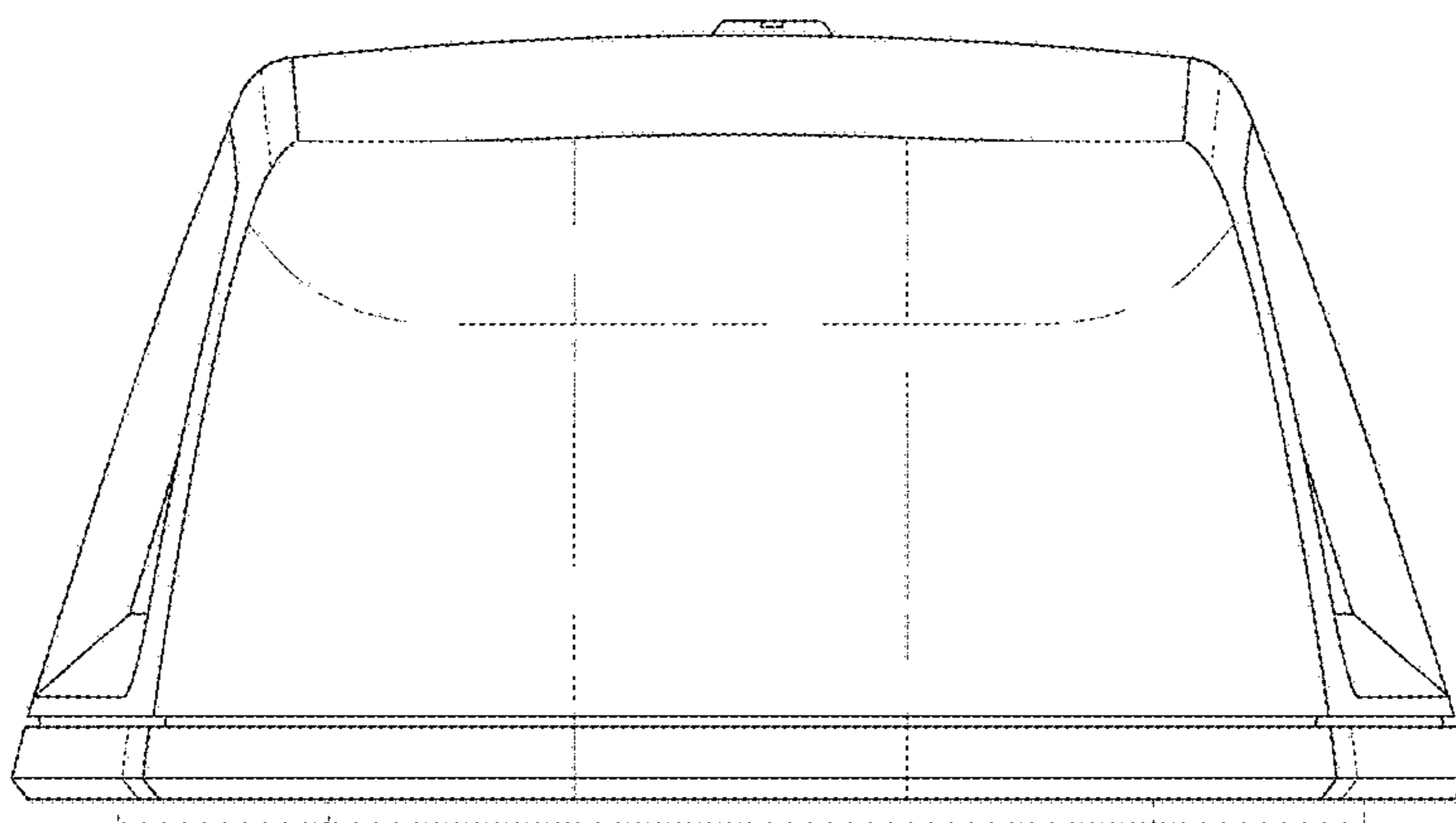
**Fig. 3**



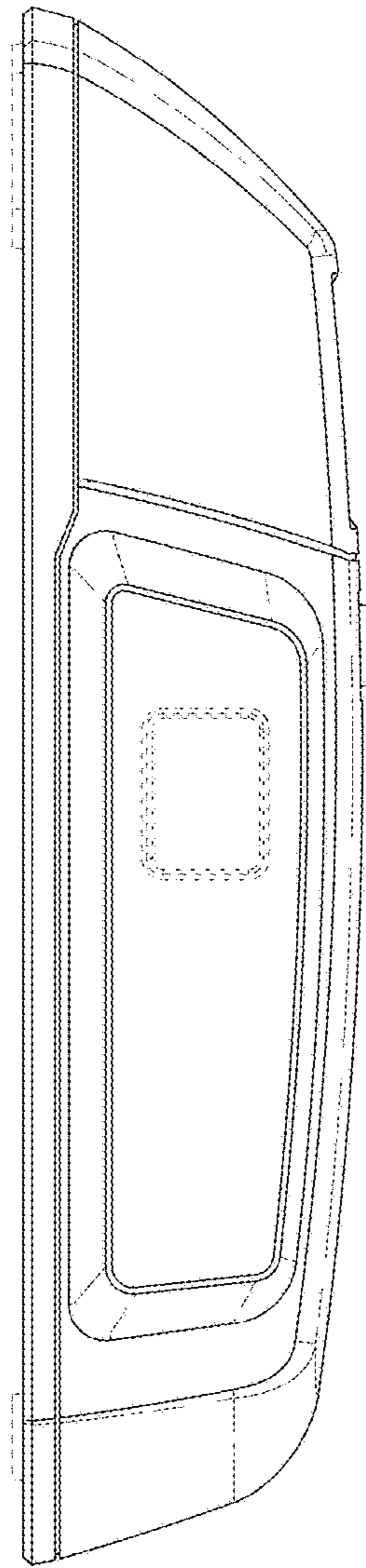
**Fig. 4**



**Fig. 5**

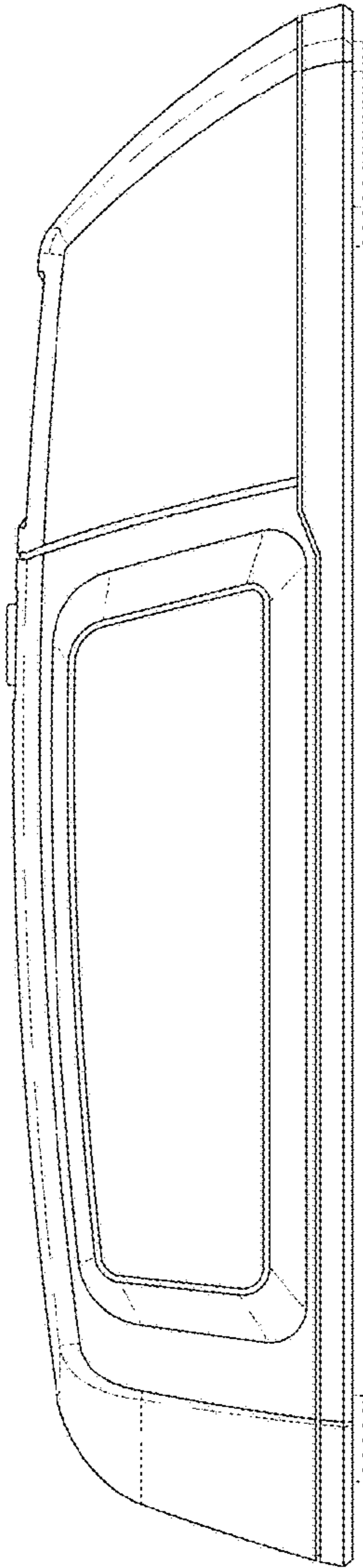


**Fig. 6**



**Fig. 7**





**Fig. 8**