



US00D848867S

(12) **United States Design Patent**
Matsumiya et al.

(10) **Patent No.:** **US D848,867 S**
(45) **Date of Patent:** **** May 21, 2019**

(54) **DISPLAY DEVICE FOR HARDNESS TESTER**

(71) Applicant: **MITUTOYO CORPORATION**,
Kawasaki, Kangawa (JP)

(72) Inventors: **Sadayuki Matsumiya**, Sagamihara
(JP); **Yoshiro Asano**, Tokyo (JP);
Masaru Kawazoe, Kure (JP);
Fumihiko Koshimizu, Zama (JP);
Shigeru Ohtani, Kawasaki (JP); **Yu**
Sugai, Hadano (JP); **Yu Kawakubo**,
Tachikawa (JP)

(73) Assignee: **MITUTOYO CORPORATION**,
Kawasaki (JP)

(**) Term: **15 Years**

(21) Appl. No.: **29/633,018**

(22) Filed: **Jan. 11, 2018**

(30) **Foreign Application Priority Data**

Jul. 14, 2017 (JP) 2017-015268

(51) **LOC (11) Cl.** **10-04**

(52) **U.S. Cl.**
USPC **D10/49**; D10/103; D13/162

(58) **Field of Classification Search**
USPC D10/49, 50, 63, 83, 84, 85, 102, 103;
D13/162, 168; D14/126, 336, 371, 374,
D14/389

CPC G01N 3/40; G01N 3/405; G01N 3/42;
G01N 3/44; G01N 3/46; G01N 3/48;
G01N 3/50; G01N 3/52; G01N 3/54;
G01N 3/00; G01N 3/08; G01N 3/10;
G01N 3/12; G01N 3/14; G01N 3/16;
G01N 3/30; G01N 3/32; G01N
2015/1488; G01B 2203/00; G01B
2203/0001; G01B 2203/0003; G01B
2203/0005; G01B 2203/001; G01B
2203/0012; G01B 2203/0014; G01B
2203/0016; G01B 2203/0017; G01B
2203/0019; G01B 2203/0076; A61B

5/4869; A61B 5/4872; A61B 5/0537;
A61B 5/742-5/745; A61B 8/46-8/469;
G01G 1/00-1/42; G01G 3/00-3/18; G01G
5/00-5/06; G01G 7/00-7/06; G01G 9/00;
G01G 9/005; G01G 11/00-11/20; G01G
13/00-13/34; G01G 15/00-2015/047;
G01G 17/00-17/08; G01G 19/00-21/30;
G01G 23/00-23/48; G01S 7/56-7/629;
(Continued)

(56) **References Cited**

U.S. PATENT DOCUMENTS

D283,599 S 4/1986 Biddle, Jr. et al.
D356,515 S 3/1995 Fukumoto et al.
(Continued)

OTHER PUBLICATIONS

“Rockwell Hardness Testing Machines, HR-300/400/500 Series,”
Mitutoyo, Bulletin No. 2025(3), Jun. 2017, pp. 1-8.

Primary Examiner — Antoine Duval Davis

(74) *Attorney, Agent, or Firm* — Oliff PLC

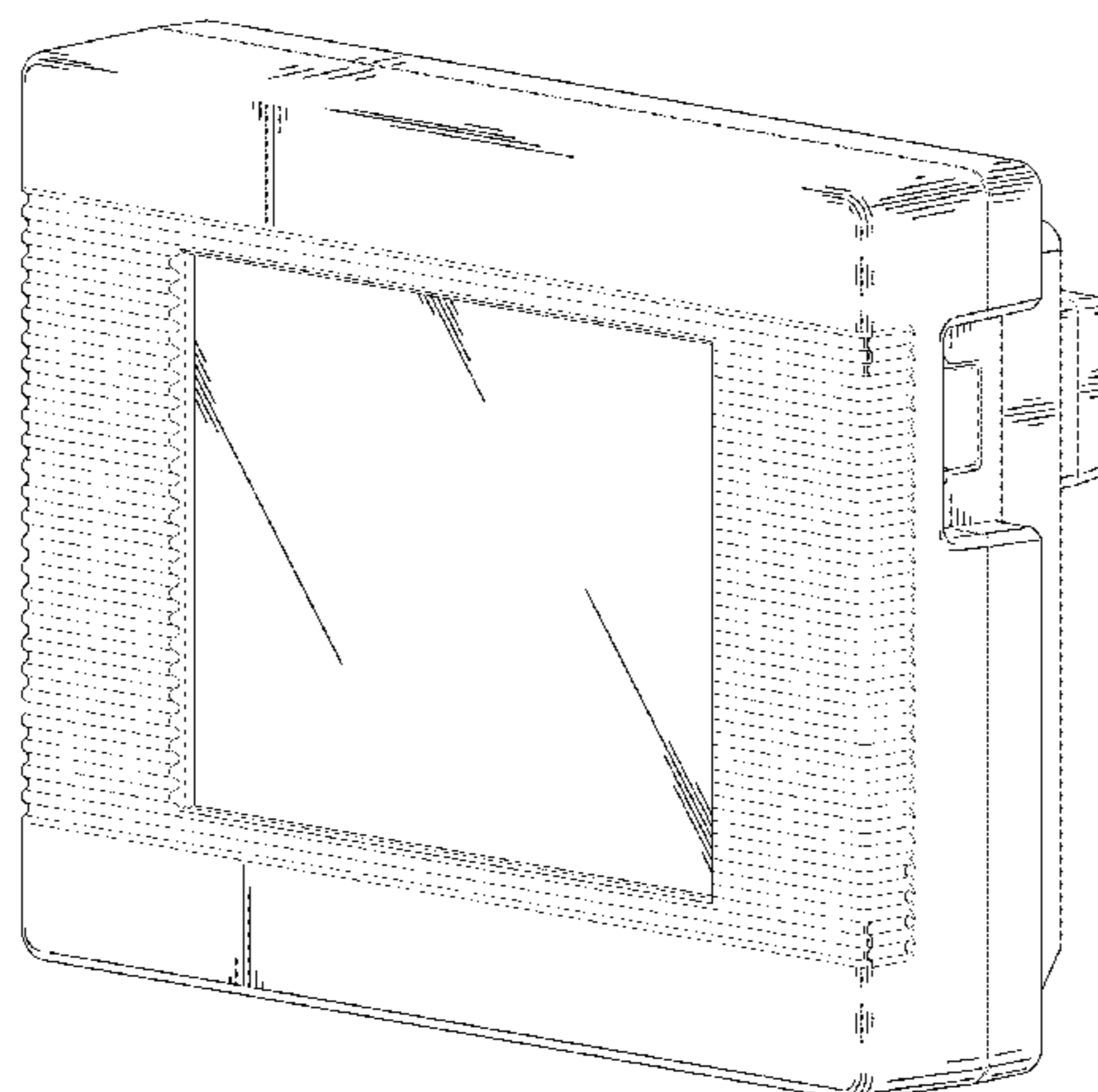
(57) **CLAIM**

The ornamental design for a display device for hardness
tester, as shown and described.

DESCRIPTION

FIG. 1 is a front, right-side, top perspective view of the
display device for hardness tester;
FIG. 2 is a front elevational view thereof;
FIG. 3 is a top plan view thereof;
FIG. 4 is a right-side elevational view thereof;
FIG. 5 is a left-side elevational view thereof;
FIG. 6 is a rear elevational view thereof;
FIG. 7 is a bottom plan view thereof; and,
FIG. 8 is a rear, left-side, top perspective view.
The broken lines depict unclaimed parts of the display
device, and thus form no part of the claimed design.

1 Claim, 8 Drawing Sheets



(58) **Field of Classification Search**

CPC G06F 1/16; G06F 1/1601; G06F 1/1603;
G06F 1/1605; G06F 1/1607; G06F
1/1609; G06F 1/1611; G06F 1/1613;
G06F 1/1615; G06F 1/1616; G06F
1/1618; G06F 1/162; G06F 1/1622; G06F
1/1624; G06F 1/1626; G06F 1/1628;
G06F 1/163; G06F 1/1632; G06F 1/1633;
G06F 1/1635; G06F 1/1637; G06F
1/1639; G06F 1/1641; G06F 1/1643;
G06F 1/1645; G06F 1/1647; G06F
1/1649; G06F 1/165; G06F 1/1652; G06F
1/1654; G06F 1/1656; G06F 1/1658;
G06F 1/166; G06F 1/1662; G06F 1/1664;
G06F 1/1666; G06F 1/1667; G06F
1/1669; G06F 1/1671; G06F 1/1673;
G06F 1/1675; G06F 1/1677; G06F
1/1679; G06F 1/1681; G06F 1/1683;
G06F 1/1684; G06F 1/1686; G06F

1/1688; G06F 1/169; G06F 1/1692; G06F
1/1694; G06F 1/1696; G06F 1/1698;
G06F 3/04842; Y10S 715/97

See application file for complete search history.

(56)

References Cited

U.S. PATENT DOCUMENTS

D394,015	S	5/1998	Kellstedt, Jr. et al.	
D582,800	S *	12/2008	Comerford	D10/50
D647,903	S *	11/2011	McClelland	D14/371
D704,582	S	5/2014	Muraoka et al.	
D724,035	S *	3/2015	Flowers	D13/162
D727,857	S *	4/2015	Acera	D13/162
D730,301	S *	5/2015	Sakai	D13/168
D736,165	S *	8/2015	Sakai	D13/168
D738,752	S *	9/2015	Edgar	D10/50
D780,130	S *	2/2017	Kashimoto	D13/168
D820,793	S *	6/2018	Arai	D13/168

* cited by examiner

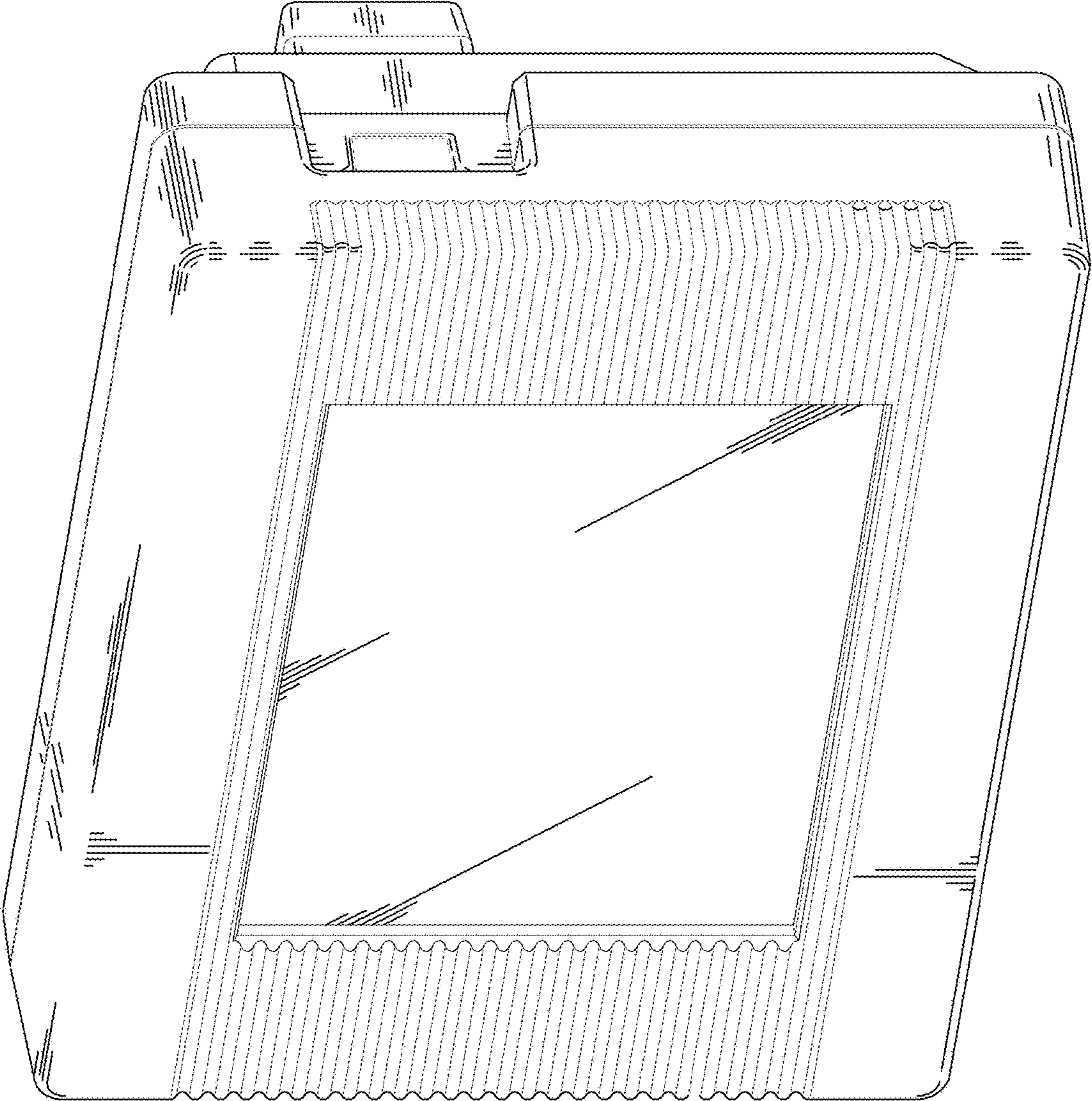


FIG. 1

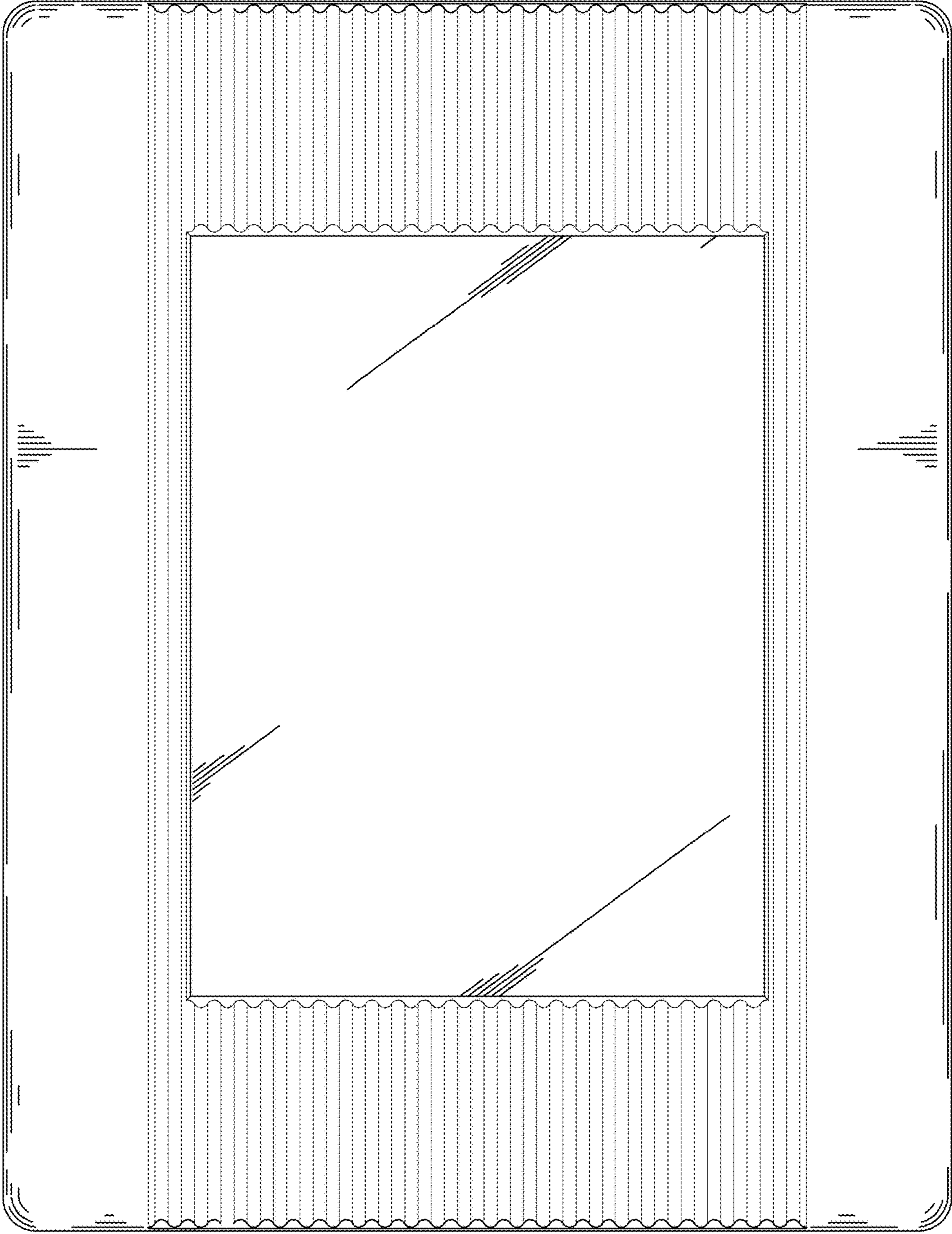


FIG. 2

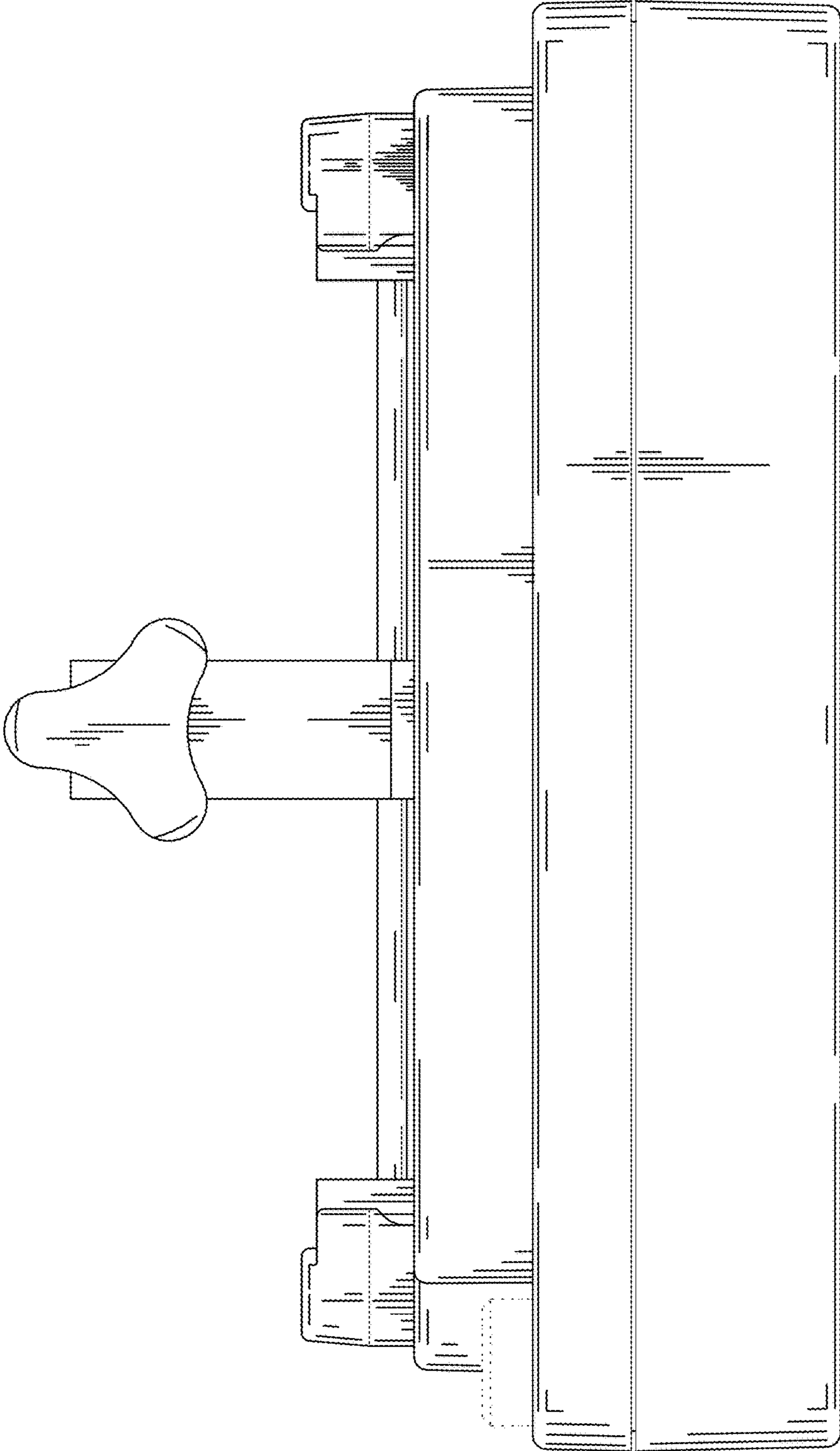


FIG. 3

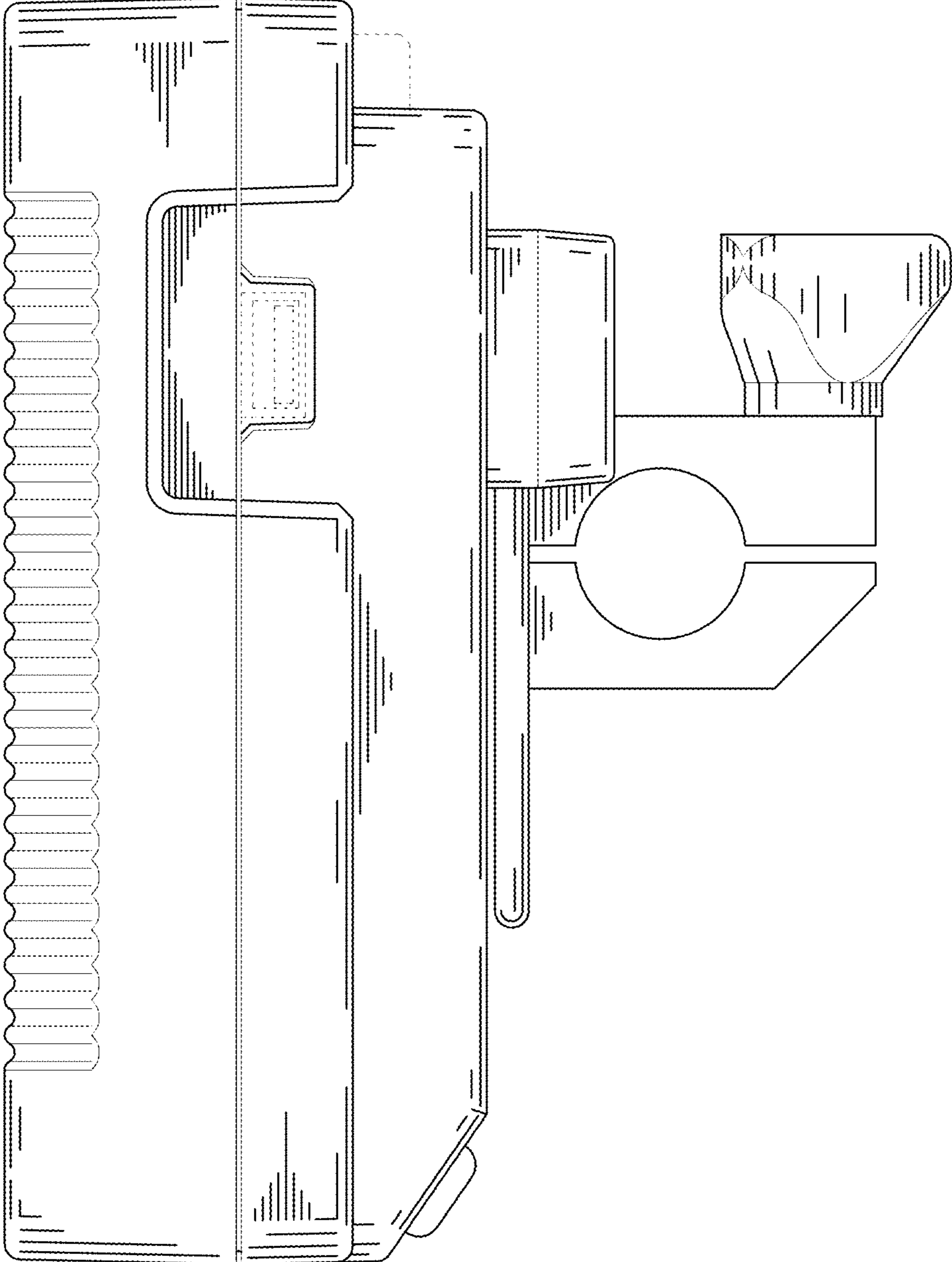


FIG. 4

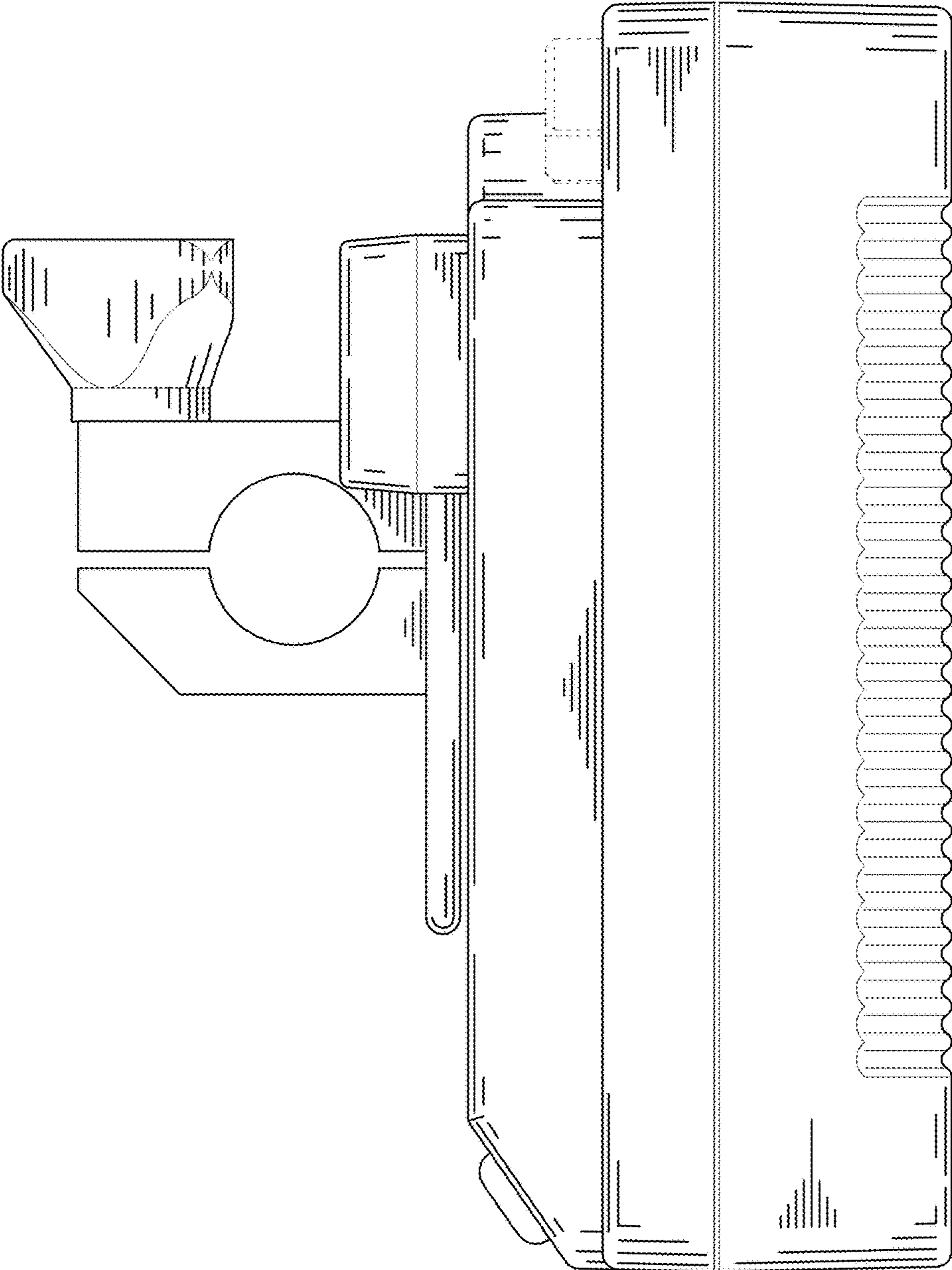


FIG. 5

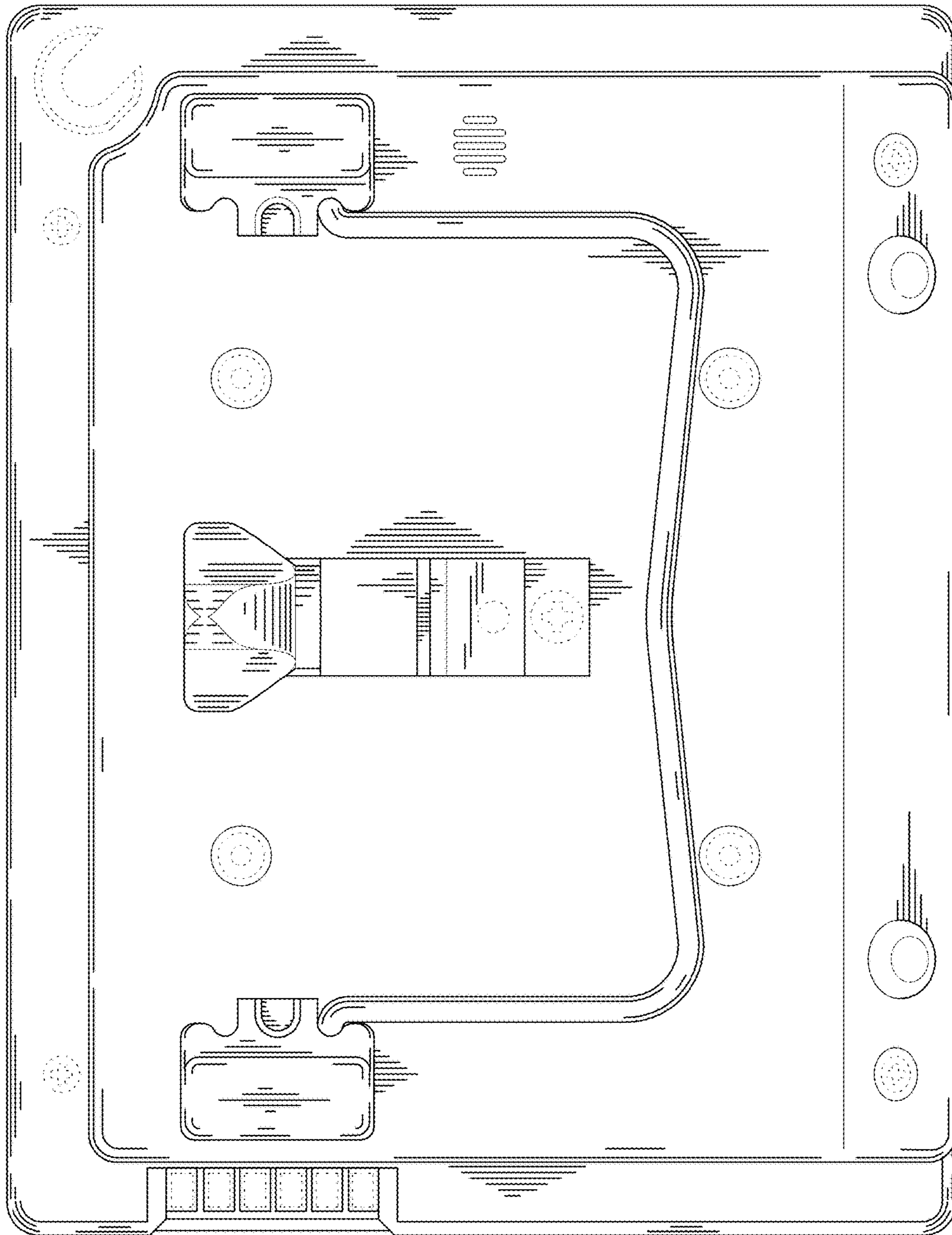


FIG. 6

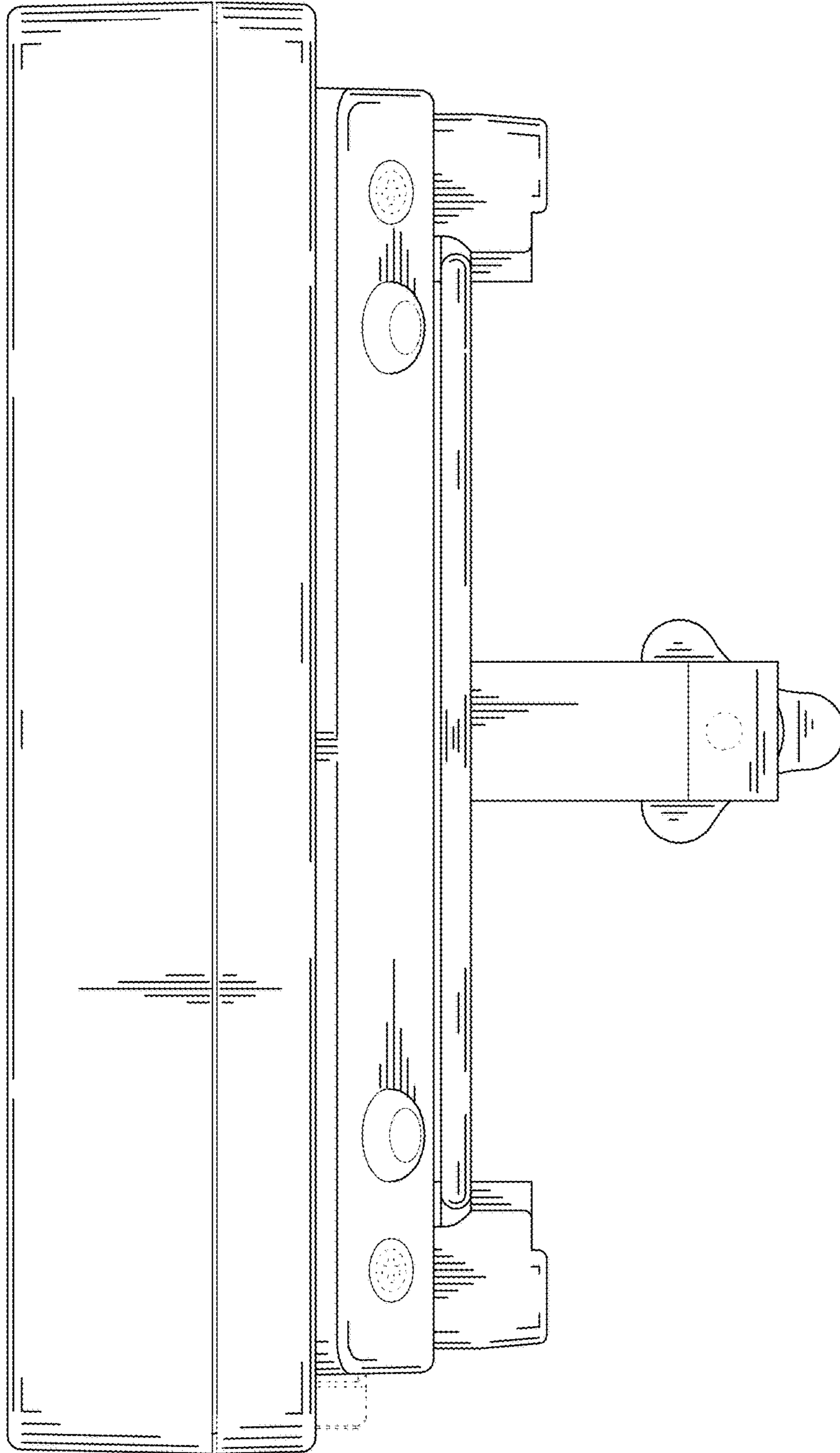


FIG. 7

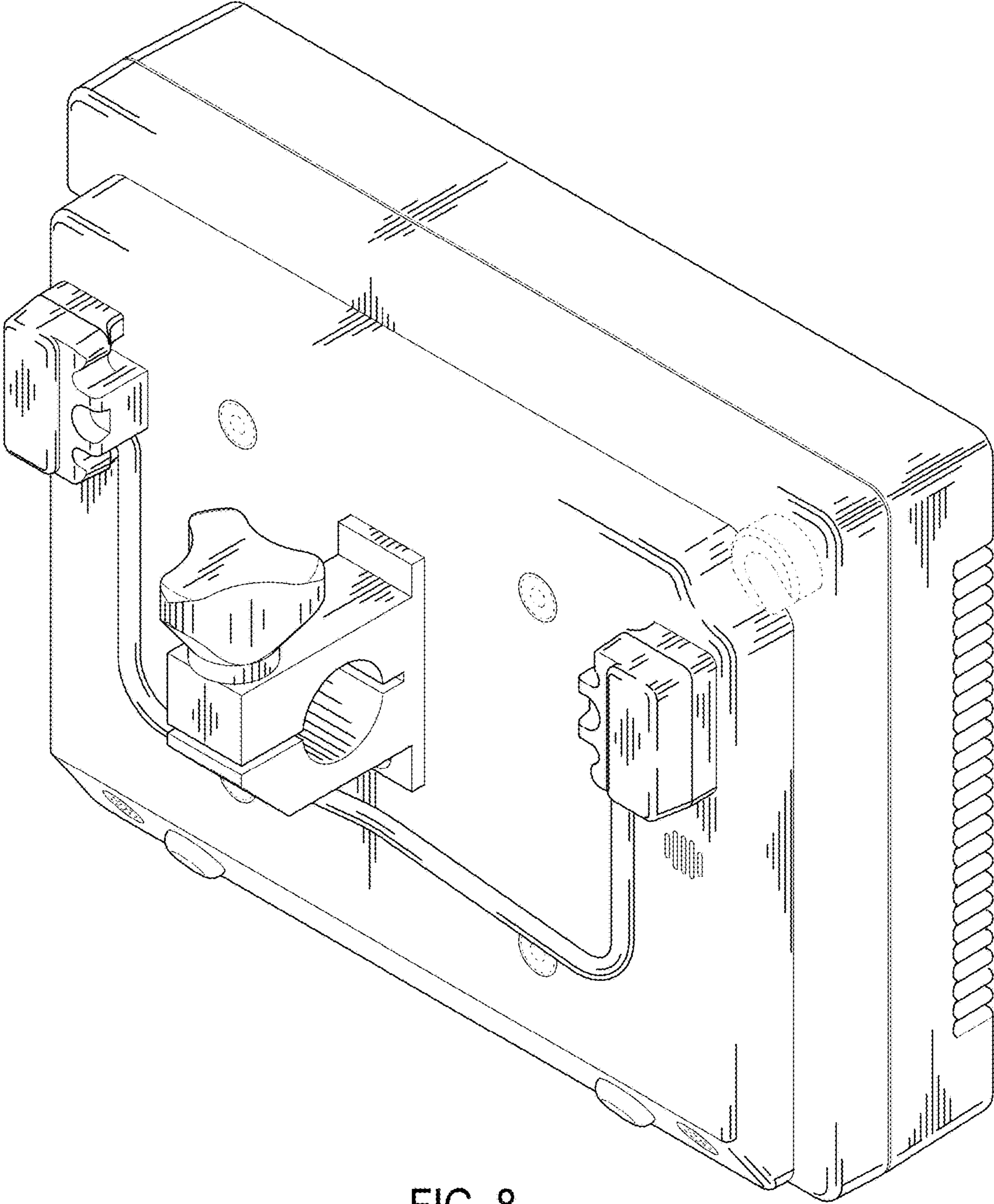


FIG. 8