



US00D848866S

(12) **United States Design Patent**
Behling

(10) **Patent No.:** **US D848,866 S**

(45) **Date of Patent:** **** May 21, 2019**

(54) **WATCH CASE**

(71) Applicant: **LVMH Swiss Manufactures SA**, La
Chaux-de-Fonds (CH)

(72) Inventor: **Christoph Behling**, London (GB)

(73) Assignee: **LVMH SWISS MANUFACTURES**
SA, La Chaux-de-Fonds (CH)

(**) Term: **15 Years**

(21) Appl. No.: **29/614,563**

(22) Filed: **Aug. 21, 2017**

(30) **Foreign Application Priority Data**

Feb. 22, 2017 (WO) 2459401

(51) **LOC (11) Cl.** **10-02**

(52) **U.S. Cl.**
USPC **D10/39**

(58) **Field of Classification Search**
USPC D10/30-39, 42, 122-124, 126, 128;
D11/3; D14/344; D99/28, 99; D24/167,
D24/186

See application file for complete search history.

(56) **References Cited**

U.S. PATENT DOCUMENTS

D244,916 S *	7/1977	Ueno	D10/38
D257,005 S *	9/1980	Ruth	D10/38
D327,440 S *	6/1992	Galli	D10/126
D356,042 S *	3/1995	Nakanishi	D10/30
D381,920 S *	8/1997	Galli	D10/30
5,724,317 A *	3/1998	Kubota	G01D 13/24 368/10
D395,241 S *	6/1998	Galli	D10/30
D414,431 S *	9/1999	Tran	D10/2
6,185,158 B1 *	2/2001	Ito	G04C 17/0066 368/28
D447,427 S *	9/2001	Finazzi	D10/39

D455,971 S *	4/2002	Yamamoto	D10/39
D470,776 S *	2/2003	Blondin	D10/30
D538,184 S *	3/2007	Scheufele	D10/39
D655,630 S *	3/2012	Behling	D10/38
D658,511 S *	5/2012	Wai Kei	D10/32
D710,217 S *	8/2014	Galli	D10/39

(Continued)

OTHER PUBLICATIONS

TAG Heuer Carrera Calibre 1887 | posted at ablogtowatch.com Mar. 2013 © 2007-2018 aBlogtoWatch [online][site visited Jun. 10, 2018]. Available from internet: <<https://www.ablogtowatch.com/tag-heuer-carrera-calibre-1887-chronograph-watch-for-2013/>> (Year: 2013).*

(Continued)

Primary Examiner — Sandra S Snapp

Assistant Examiner — Katherine Glennon

(74) *Attorney, Agent, or Firm* — Brinks Gilson & Lione;
John C. Freeman

(57) **CLAIM**

The ornamental design for a watch case, as shown and described.

DESCRIPTION

FIG. 1 is a top view of a watch case according to the present invention;

FIG. 2 is a bottom view;

FIG. 3 is a front view;

FIG. 4 is a rear view;

FIG. 5 is a right side view;

FIG. 6 is a left side view; and,

FIG. 7 is a top perspective view.

The ornamental design which is claimed is shown in solid lines in the drawings. The broken lines showing of portions of the article form no part of the claimed design.

1 Claim, 5 Drawing Sheets



(56)

References Cited

U.S. PATENT DOCUMENTS

D724,464 S * 3/2015 Behling D10/126
D726,675 S * 4/2015 Choi D10/38
D731,455 S * 6/2015 Park D10/38
D744,863 S * 12/2015 Behling D10/126
D748,501 S * 2/2016 Cerrato D10/30
D762,492 S * 8/2016 Sugiura D10/126
D781,722 S * 3/2017 Behling D10/38
D799,990 S * 10/2017 Behling D10/38
D800,578 S * 10/2017 Behling D10/30
2017/0075306 A1 * 3/2017 Morohoshi G04B 19/04

OTHER PUBLICATIONS

The Carrera Heuer 01 Chronograph | posted at hodinkee.com Nov. 2015 © 2009-2018, Hodinkee Inc [online][site visted Jun. 10, 2018]. Available from internet: <<https://www.hodinkee.com/articles/a-look-at-the-carrera-heuer-01-chronograph-with-tag-heuers-head-of-products>> (Year: 2015).*

TAG Heuer's backup plan | posted at siliconangle.com Nov. 2015 Copyright 2018 SiliconANGLE Media, Inc [online][site visited Jun. 10, 2018]. Available from internet: <<https://siliconangle.com/blog/2015/11/10/tag-heuers-backup-plan-in-case-its-smartwatch-fails/>> (Year: 2015).*

TAG Heuer Connected Watch | posted at Chrono24.com Nov. 2015 [online][site visited Jun. 10, 2018]. Available from internet: <https://www.chrono24.com/magazine/tag-heuer-connected-watch-is-it-what-weve-hoped-for-p_7106/#gref> (Year: 2015).*

TAG Heuer Connected Modular 45 | posted at hodinkee.com Mar. 2017 © 2009-2018, Hodinkee Inc [online][site vistied Jun. 8, 2018]. Available from internet: <<https://www.hodinkee.com/articles/tag-heuer-connected-modular-45-swiss-made-smartwatch>> (Year: 2017).*

* cited by examiner

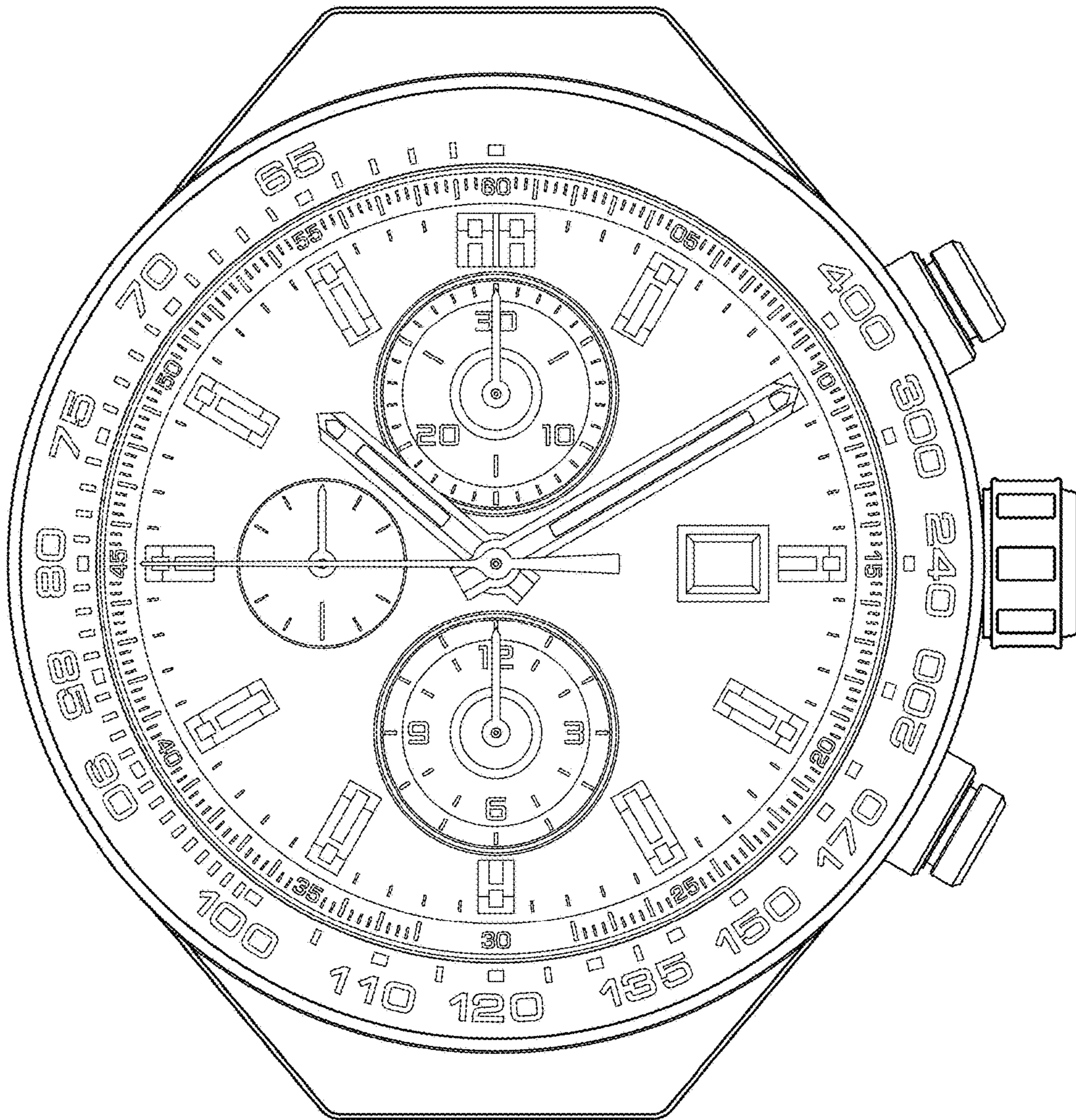


FIG. 1

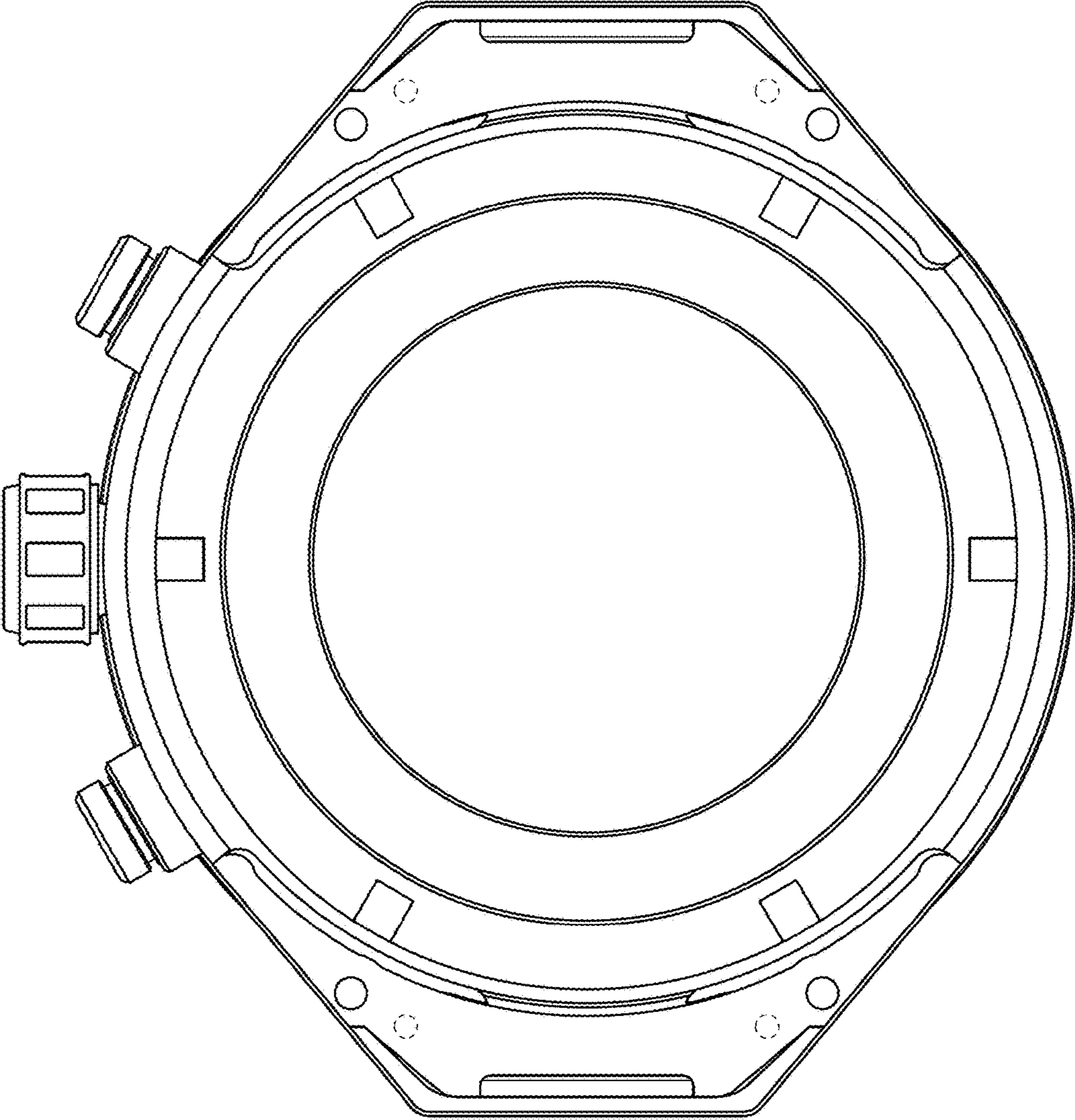


FIG. 2

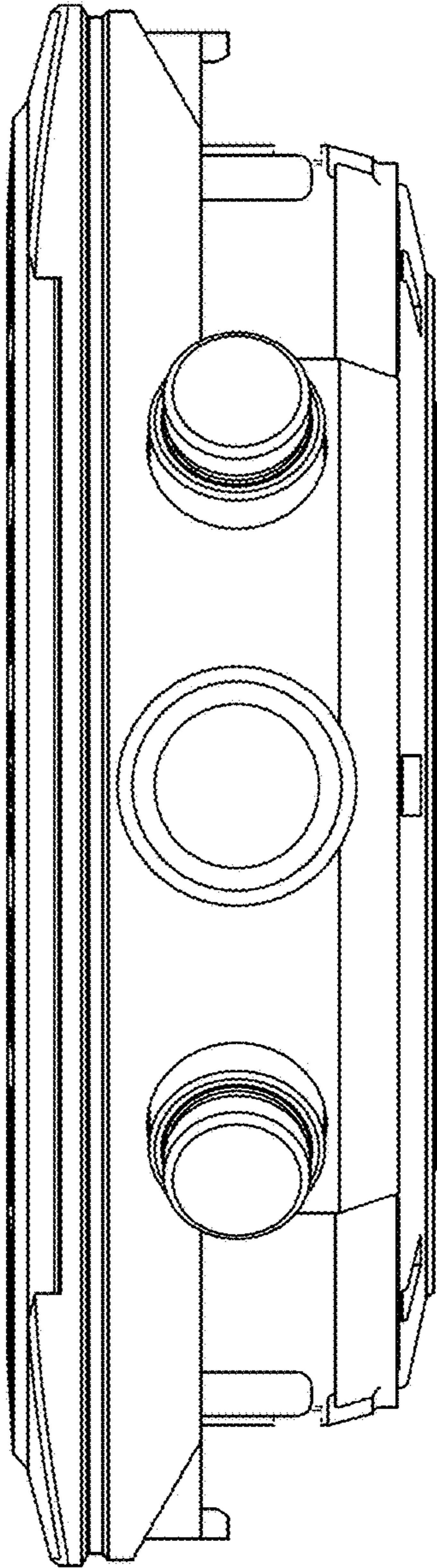


FIG. 3

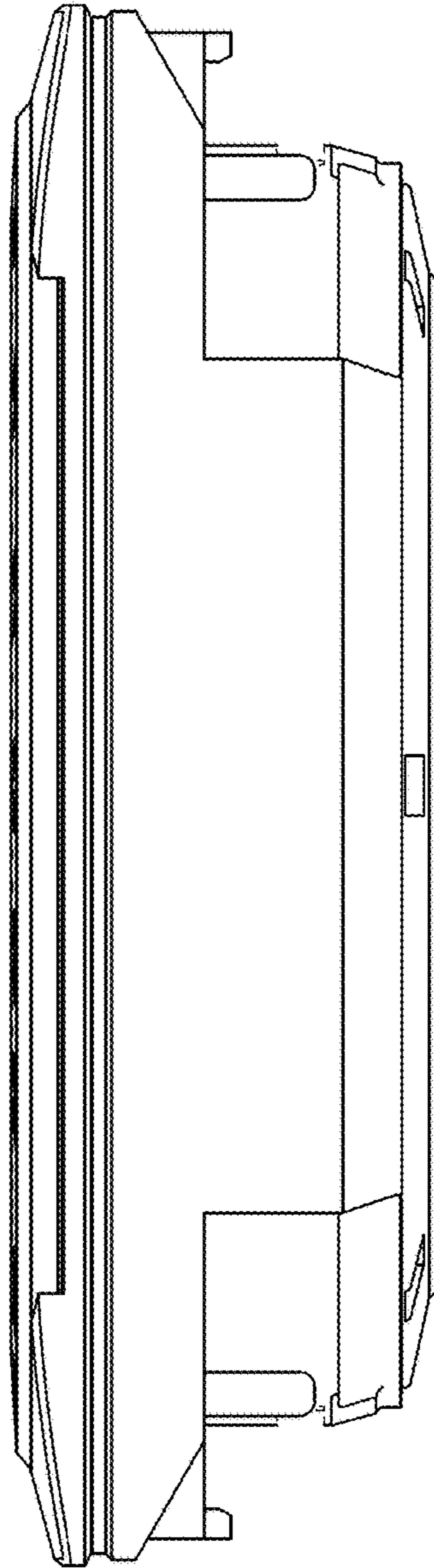


FIG. 4

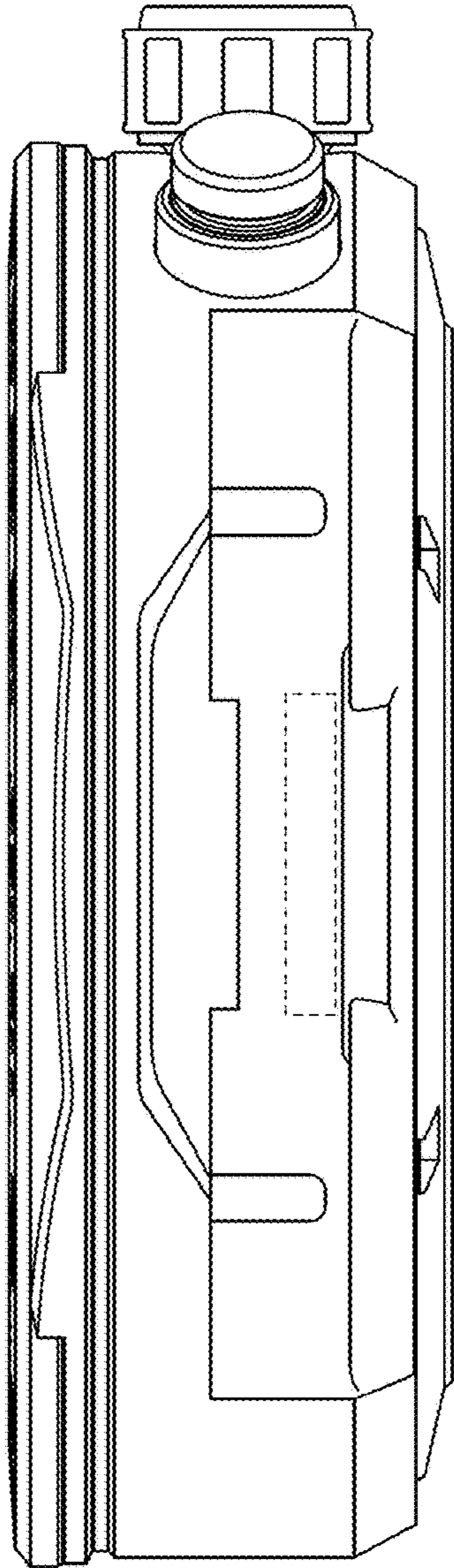


FIG. 5

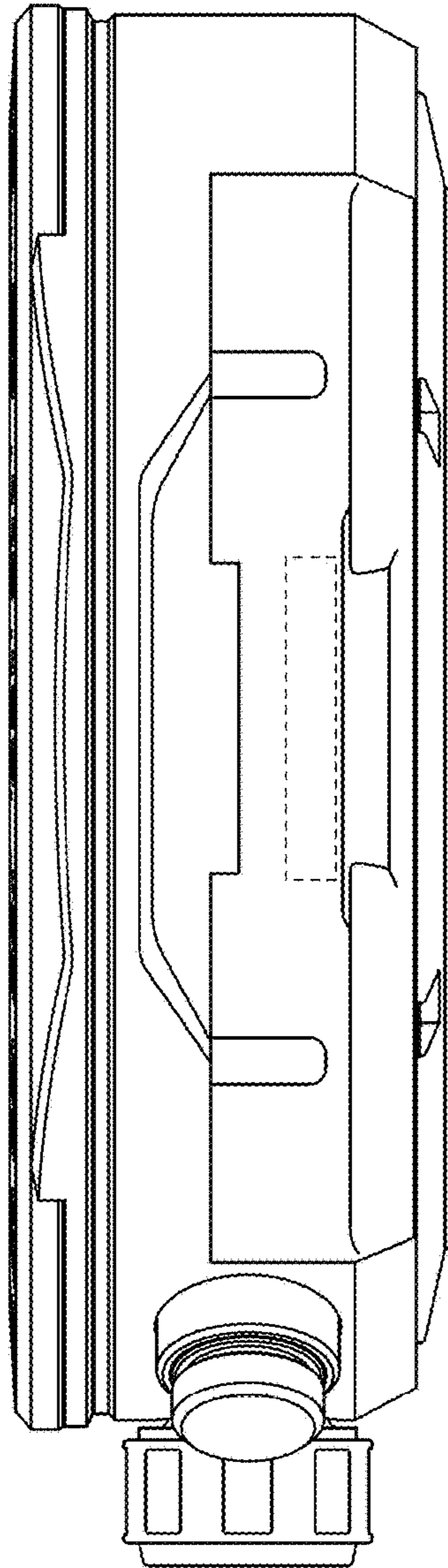


FIG. 6



FIG. 7