



US00D848865S

(12) **United States Design Patent**
Behling

(10) **Patent No.:** **US D848,865 S**

(45) **Date of Patent:** **** *May 21, 2019**

- (54) **WATCH CASE WITH STRAP**
- (71) Applicant: **LVMH Swiss Manufactures SA**, La Chaux-de-Fonds (CH)
- (72) Inventor: **Christoph Behling**, London (GB)
- (73) Assignee: **LVMH SWISS MANUFACTURES SA**, La Chaux-de-Fonds (CH)

6,185,158 B1 * 2/2001 Ito G04C 17/0066
368/28
D447,427 S * 9/2001 Finazzi D10/39
D460,003 S * 7/2002 Jamin D10/32
D470,776 S * 2/2003 Blondin D10/30
(Continued)

- (*) Notice: This patent is subject to a terminal disclaimer.
- (**) Term: **15 Years**

- (21) Appl. No.: **29/614,568**
- (22) Filed: **Aug. 21, 2017**

- (30) **Foreign Application Priority Data**
Feb. 22, 2017 (WO) 2459401
- (51) **LOC (11) Cl.** **10-02**
- (52) **U.S. Cl.**
USPC **D10/32**
- (58) **Field of Classification Search**
USPC D10/30-39, 42, 122-124, 126, 128;
D11/3; D14/344; D99/28, 99; D24/167,
D24/186
See application file for complete search history.

- (56) **References Cited**
U.S. PATENT DOCUMENTS
D244,916 S * 7/1977 Ueno D10/38
D285,422 S * 9/1986 Grimes D10/32
D327,440 S * 6/1992 Galli D10/126
D349,257 S * 8/1994 Polenberg D11/3
D381,920 S * 8/1997 Galli D10/30
5,724,317 A * 3/1998 Kubota G01D 13/24
368/10
D395,241 S * 6/1998 Galli D10/30

OTHER PUBLICATIONS

TAG Heuer Carrera Calibre 1887 | posted at ablogtowatch.com Mar. 2013 © 2007-2018 aBlogtoWatch [onlin][site visted Jun. 10, 2018]. Available from internet: <<https://www.ablogtowatch.com/tag-heuer-carrera-calibre-1887-chronograph-watch-for-2013/>> (Year: 2013).*
(Continued)

Primary Examiner — Sandra S Snapp
Assistant Examiner — Katherine Glennon
(74) *Attorney, Agent, or Firm* — Brinks Gilson & Lione; John C. Freeman

(57) **CLAIM**

The ornamental design for a watch case with strap, as shown and described.

DESCRIPTION

FIG. 1 is a top view of a watch case with strap according to the present invention;
FIG. 2 is a bottom view thereof;
FIG. 3 is a front view thereof;
FIG. 4 is a rear view thereof;
FIG. 5 is a right side view thereof;
FIG. 6 is a left side view thereof;
FIG. 7 is a top perspective view thereof;
FIG. 8 is a top perspective exploded view thereof;
FIG. 9 is a bottom perspective view thereof; and,
FIG. 10 is a bottom perspective exploded view thereof.
The ornamental design which is claimed is shown in solid lines in the drawings. The broken lines showing of portions of the article form no part of the claimed design.

1 Claim, 10 Drawing Sheets



(56)

References Cited

U.S. PATENT DOCUMENTS

D536,627 S * 2/2007 Behling D10/38
 D538,184 S * 3/2007 Scheufele D10/39
 D580,277 S * 11/2008 Brady D10/32
 D630,121 S * 1/2011 Roysky D11/3
 D655,630 S * 3/2012 Behling D10/38
 D658,511 S * 5/2012 Wai Kei D10/32
 D710,217 S * 8/2014 Galli D10/39
 D718,171 S * 11/2014 Fakesch D11/3
 D726,675 S * 4/2015 Choi D10/38
 D731,455 S * 6/2015 Park D10/38
 D742,780 S * 11/2015 Barnes D11/87
 D744,863 S * 12/2015 Behling D10/126
 D748,501 S * 2/2016 Cerrato D10/30
 D748,624 S * 2/2016 Magi D14/344
 D750,622 S * 3/2016 Chen D10/38
 D756,832 S * 5/2016 Riddiford D11/3
 D762,492 S * 8/2016 Sugiura D10/126
 D778,533 S * 2/2017 Chen D2/636
 D781,722 S * 3/2017 Behling D10/38
 D799,990 S * 10/2017 Behling D10/38
 D800,109 S * 10/2017 Rouillac D14/344

D800,578 S * 10/2017 Behling D10/30
 2014/0083133 A1* 3/2014 Lee A44C 5/14
 63/3.1
 2014/0353349 A1* 12/2014 De Oliveira A44C 5/14
 224/164
 2016/0270491 A1* 9/2016 Spencer A44C 5/185
 2017/0181510 A1* 6/2017 Novak A44C 5/147

OTHER PUBLICATIONS

TAG Heuer Connected Watch | posted at Chrono24.com Nov. 2015 [online][site visited Jun. 10, 2018]. Available from internet: <https://www.chrono24.com/magazine/tag-heuer-connected-watch-is-it-what-weve-hoped-for-p_7106/#gref> (Year: 2015).*

TAG Heuer Connected Modular 45 | posted at hodinkee.com Mar. 2017 © 2009-2018, Hodinkee Inc [online][site visited Jun. 8, 2018]. Available from internet: <<https://www.hodinkee.com/articles/tag-heuer-connected-modular-45-swiss-made-smartwatch>> (Year: 2017).*

TAG Heuer Connected Unboxing | posted at youtube.com Nov. 2015 [online][site visited 6/8/2018]. Available from internet: <https://www.youtube.com/watch?v=hsBjuzZ_pY> (Year: 2015).*

* cited by examiner

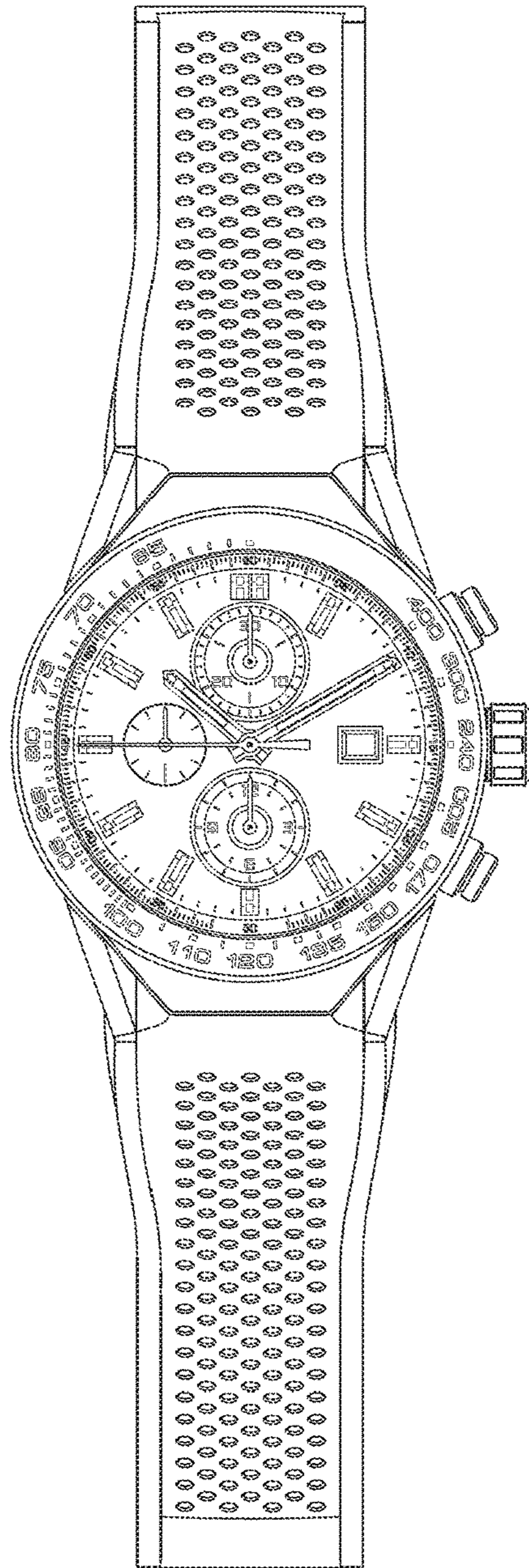


FIG. 1

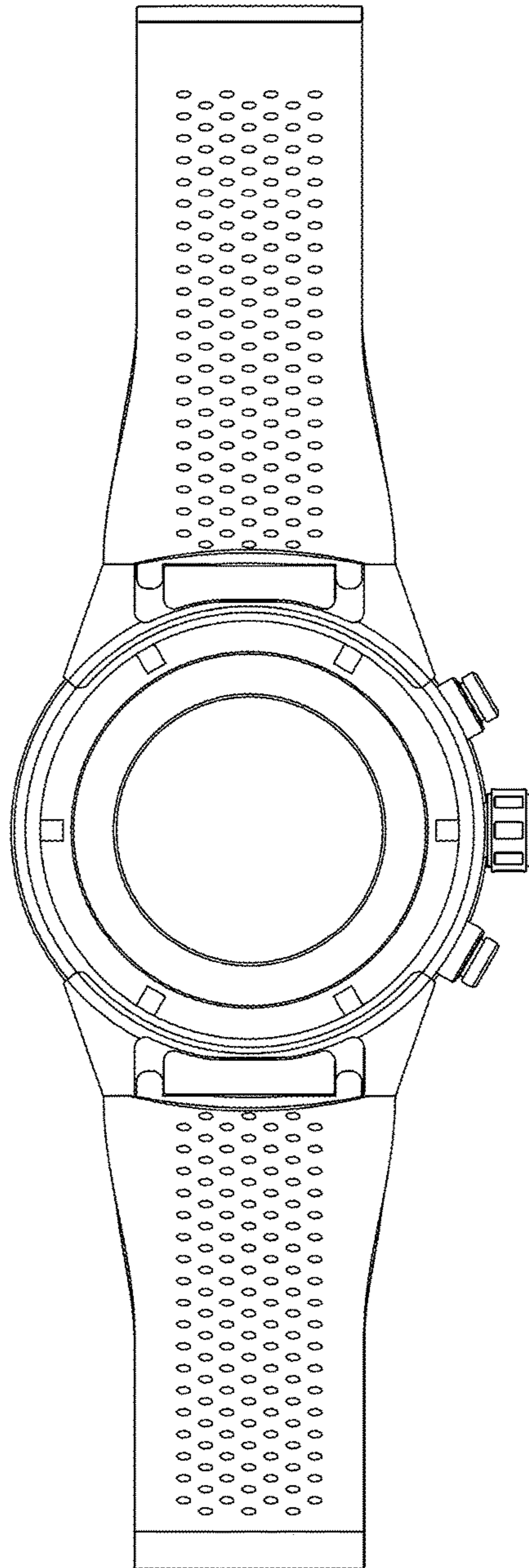


FIG. 2

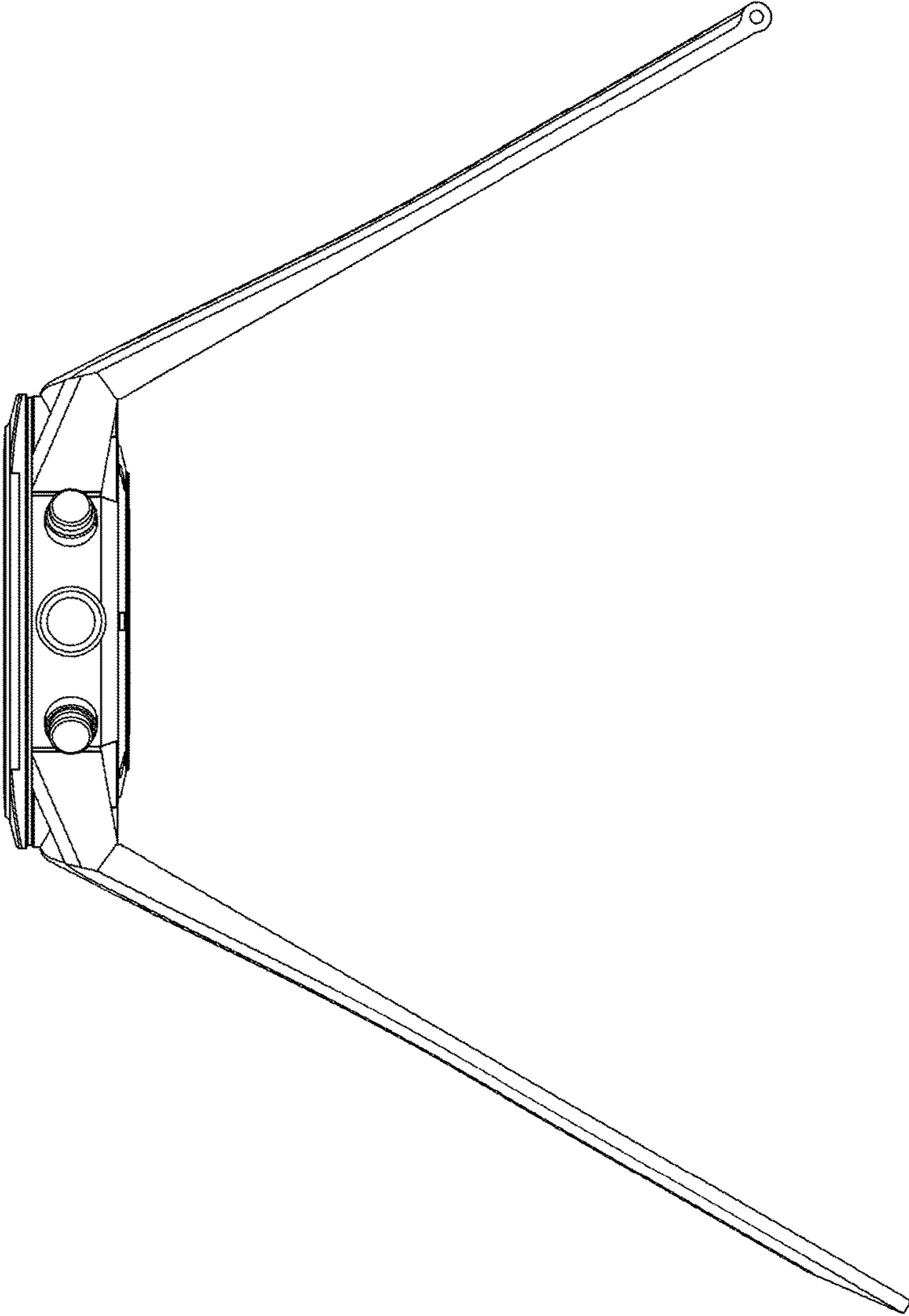


FIG. 3

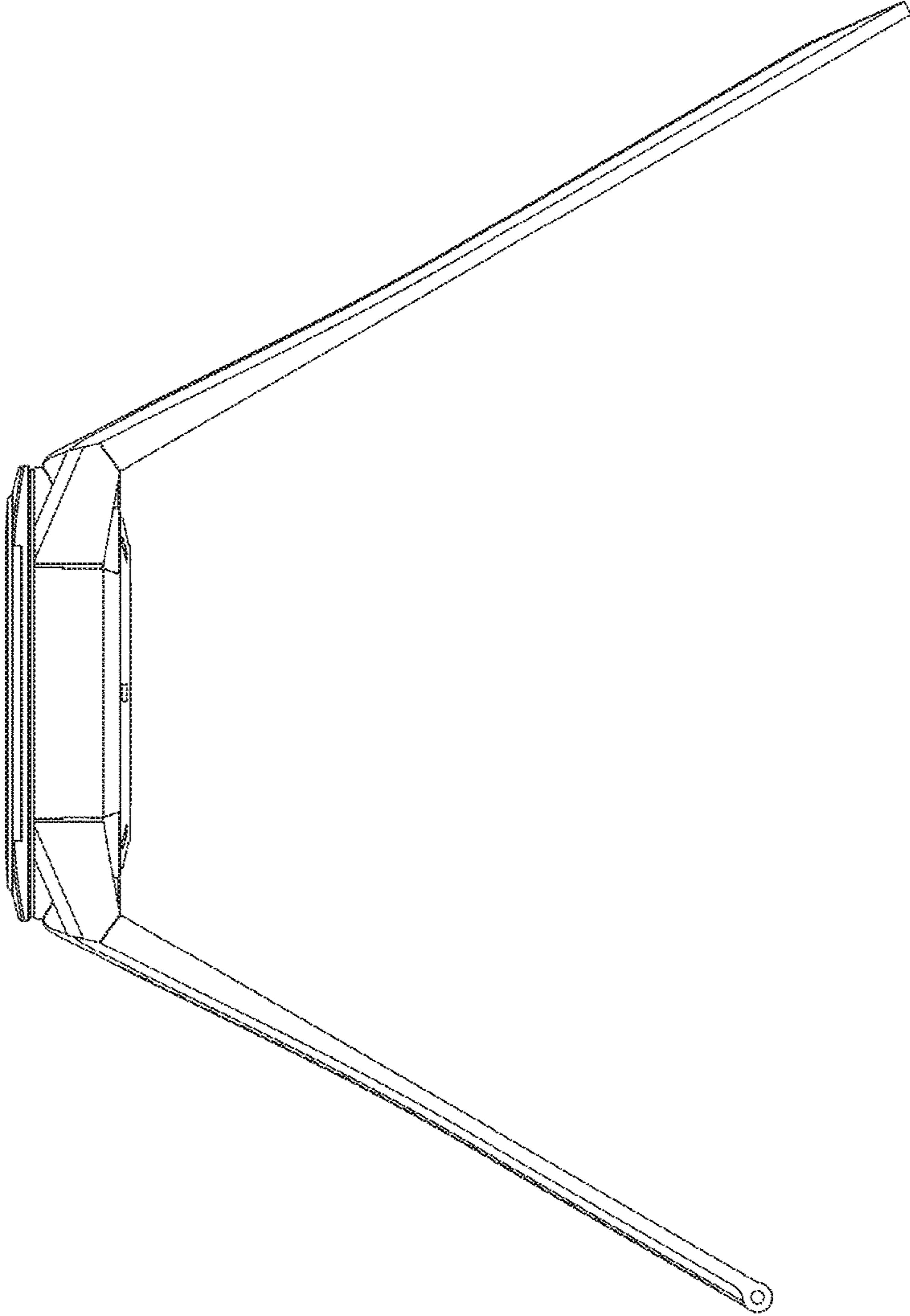


FIG. 4

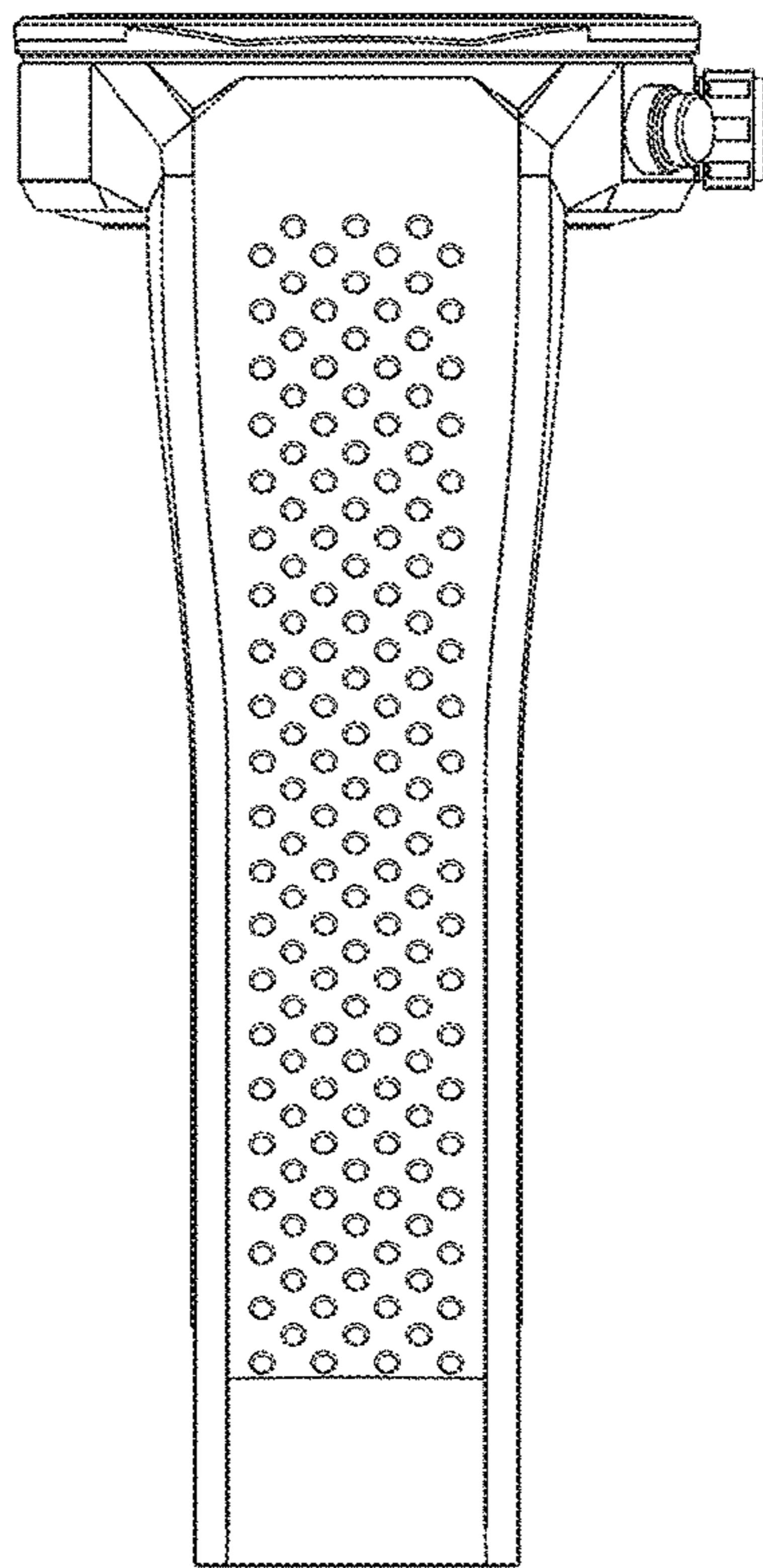


FIG. 5

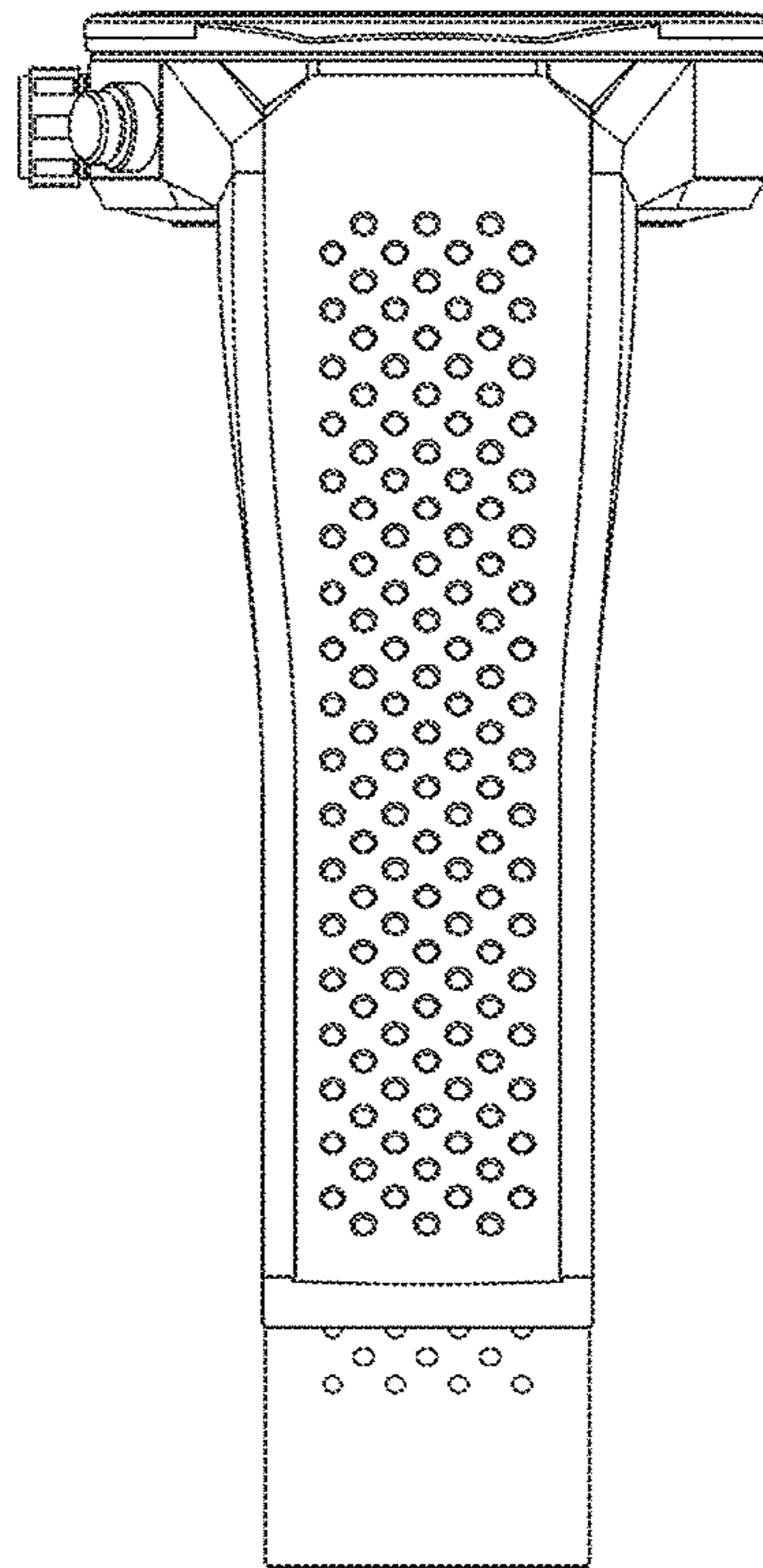


FIG. 6

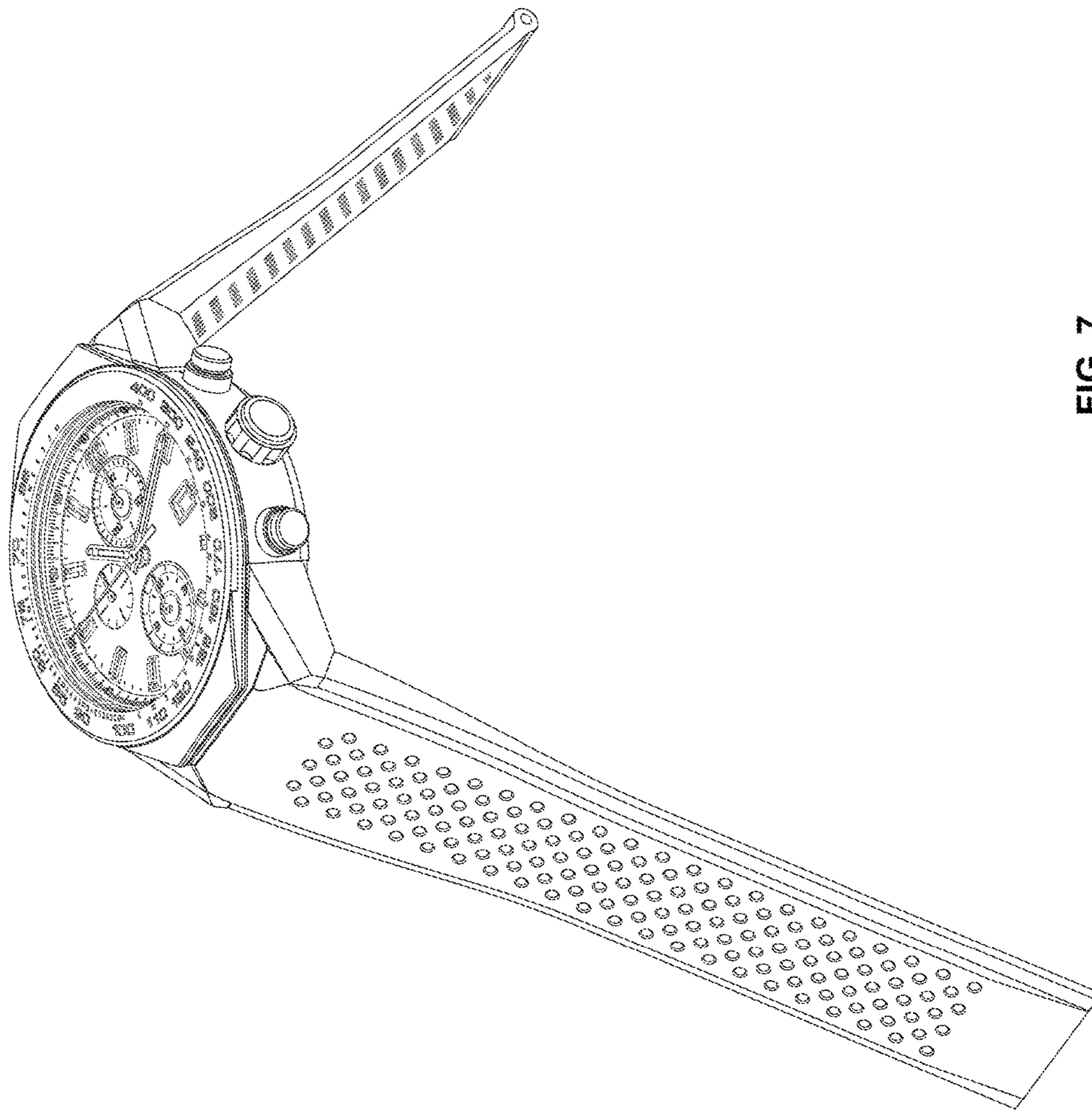


FIG. 7

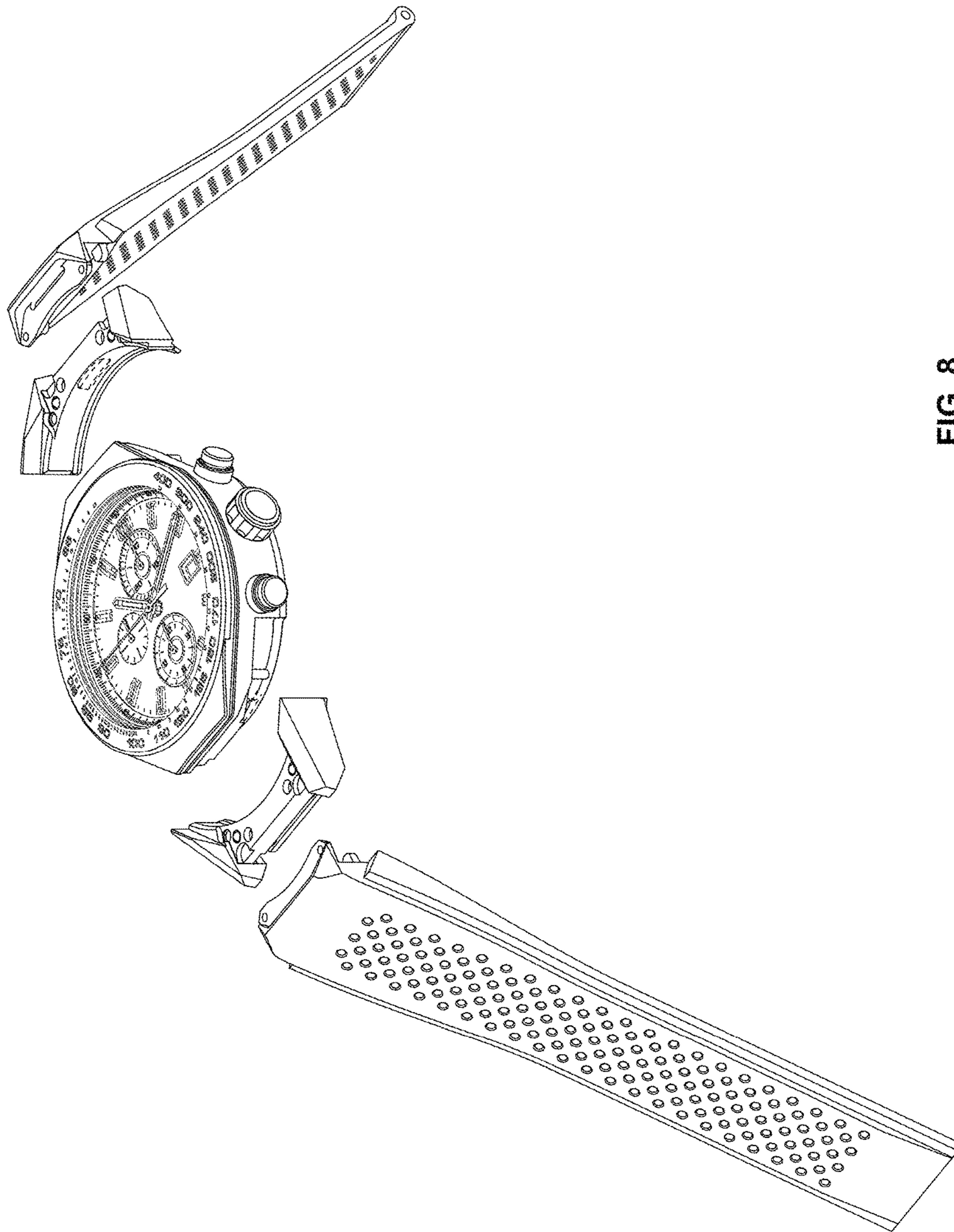


FIG. 8

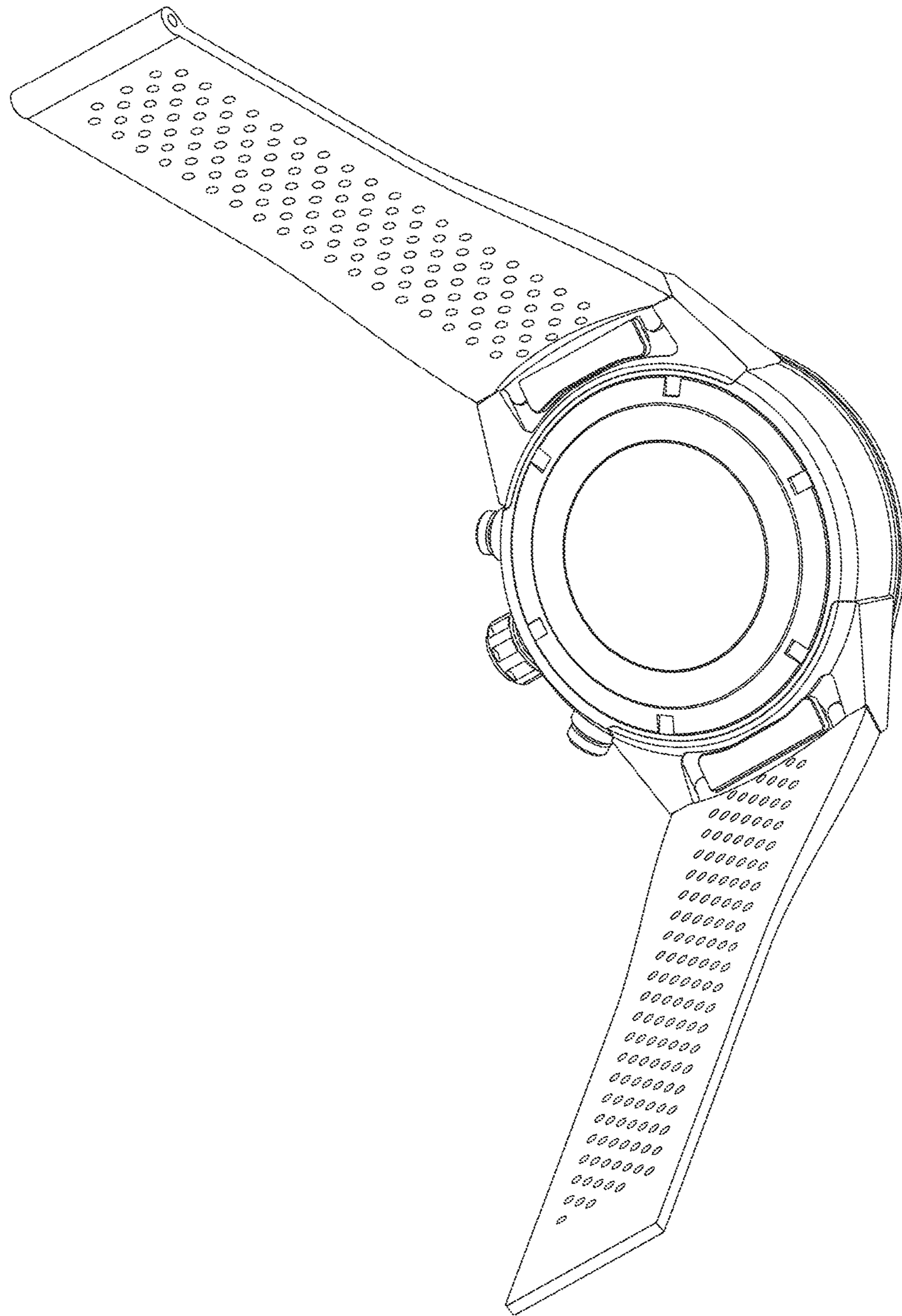


FIG. 9

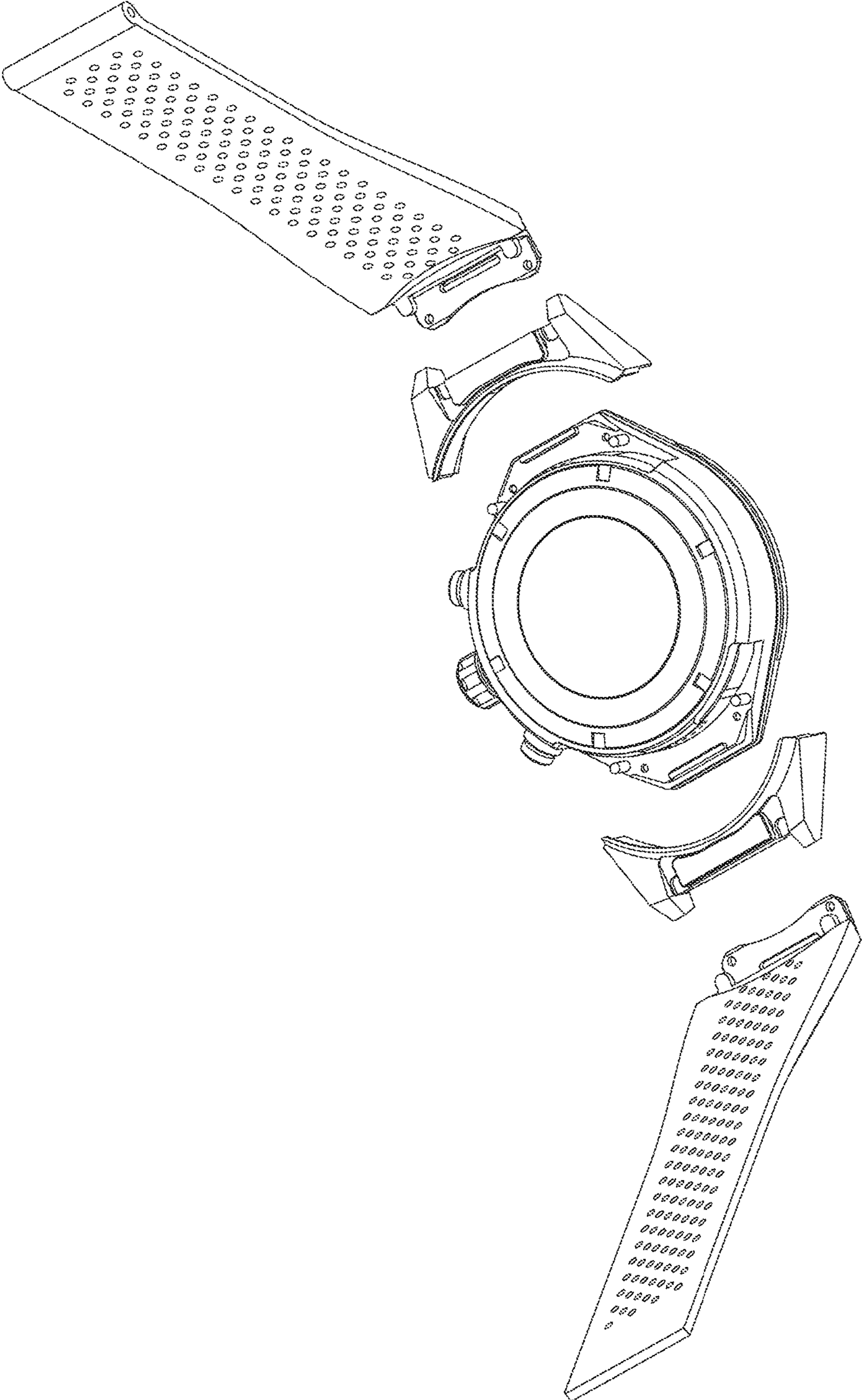


FIG. 10