



US00D848864S

(12) **United States Design Patent** (10) **Patent No.:** **US D848,864 S**
Mockler et al. (45) **Date of Patent:** **** May 21, 2019**

(54) **WATCH WITH DISPLAY**

(71) Applicant: **Garmin Switzerland GmbH**,
Schaffhausen (CH)

(72) Inventors: **Jared L. Mockler**, Olathe, KS (US);
Kevin Liu, Kansas City, MO (US);
Kevin M. Hansen, Overland Park, KS
(US)

(73) Assignee: **Garmin Switzerland GmbH** (CH)

(**) Term: **15 Years**

(21) Appl. No.: **29/613,379**

(22) Filed: **Aug. 9, 2017**

(51) **LOC (11) Cl.** **10-02**

(52) **U.S. Cl.**
USPC **D10/30**

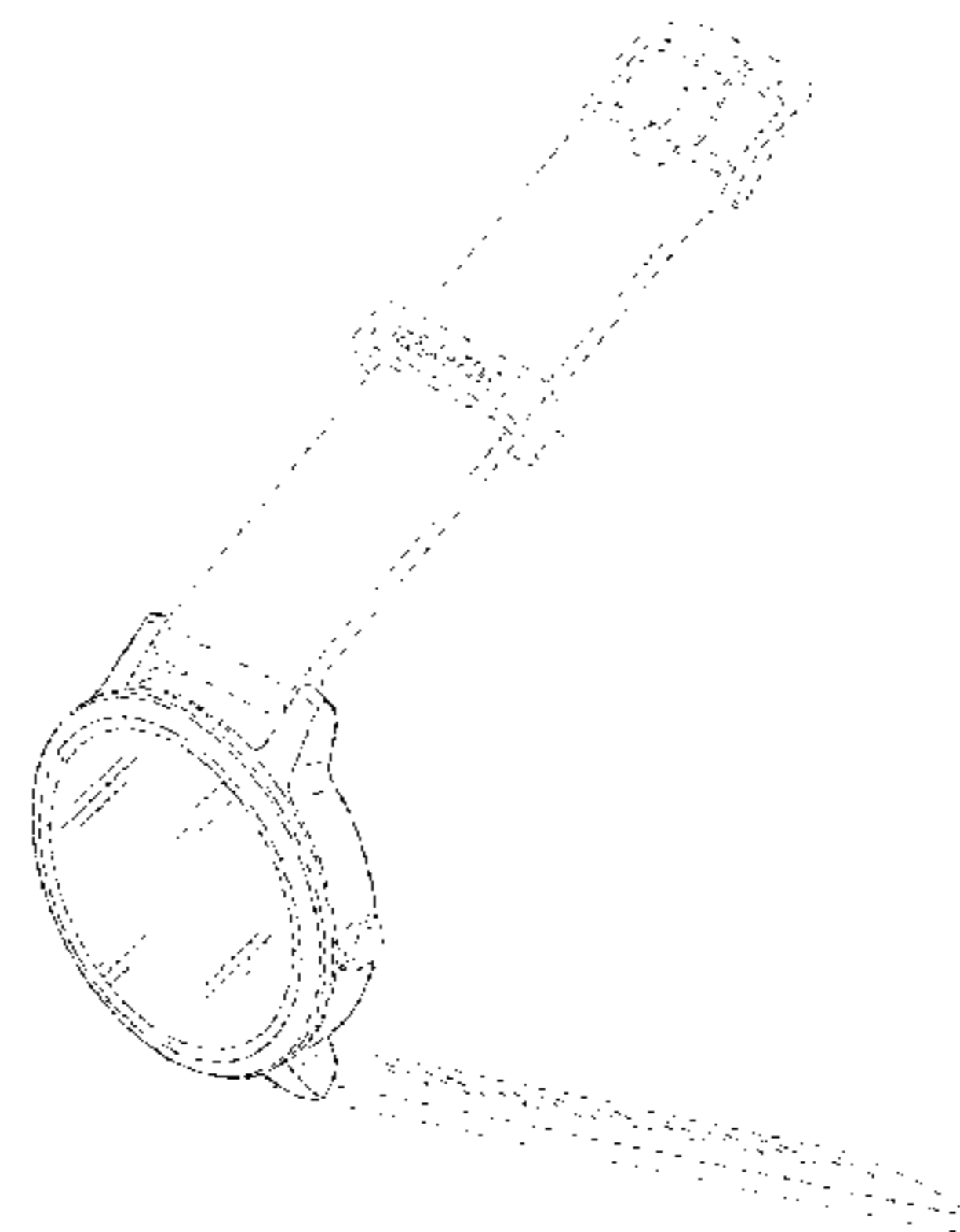
(58) **Field of Classification Search**
USPC D10/1-2, 10, 30-33, 36-39, 98-99,
D10/122-124, 126-128, 132; D11/3;
D14/344; D24/167, 186
CPC G04B 19/00; G04B 19/04; G04B 19/06;
G04B 19/065; G04B 19/08; G04B
19/085; G04B 19/10; G04B 19/103;
G04B 19/106; G04B 47/042; G04B
47/048; G04B 19/12; G04B 19/18; G04B
19/223; G04B 19/22; G04B 19/283;
G04B 37/00; G04B 37/0008; G04B
37/0058; G04B 37/04; G04B 37/0418;
G04B 45/0061; G04B 45/0069; G04B
19/26; G04B 19/264; G04B 19/02; G04B
3/001; G04D 3/04; A44C 5/00; A44C
5/0053; G04C 19/00; G04C 19/02; G04C
3/001; G04F 1/00; G04F 3/00; G04F
3/02; G04G 17/00; G04G 17/005; G04G
17/02-17/04; G04G 17/08; H01Q 1/27;
H01Q 1/273
See application file for complete search history.

(56) **References Cited**

U.S. PATENT DOCUMENTS

D222,784 S 12/1971 Granges D10/39
3,733,809 A 5/1973 Reiter et al. 368/232

3,740,944 A 6/1973 Chopard 368/281
3,901,023 A 8/1975 Uebelhardt 368/281
D317,265 S 6/1991 Giolla et al. D10/39
5,226,023 A 7/1993 Grimm 368/223
D417,158 S 11/1999 Krauss D10/30
D447,063 S * 8/2001 Scheufele D10/30
D459,241 S 6/2002 Bodino D10/32
D471,115 S 3/2003 Buechner D10/39
6,577,558 B1 6/2003 Ricci 368/228
D504,624 S 5/2005 Bodino D10/39
D521,394 S * 5/2006 Tang D10/30
D538,182 S 3/2007 Lalo D10/32
D573,486 S 7/2008 Sanz D10/38
D585,310 S 1/2009 Allison D10/39
D592,975 S 5/2009 Markl D10/32
D596,510 S 7/2009 Register et al. D10/38
D607,346 S 1/2010 Bove et al. D10/38
D610,922 S 3/2010 Lammers-Meis et al. D10/32
D633,812 S 3/2011 Yurman D10/32
D657,697 S 4/2012 Lammers-Meis et al. D10/38
D658,079 S 4/2012 Emch D10/38
D658,518 S 5/2012 Behling D10/39
D660,726 S 5/2012 Register et al. D10/38
D660,727 S 5/2012 Parmigiani D10/38
D661,206 S 6/2012 Register et al. D10/38
D664,865 S 8/2012 Luk Ying Yee D10/38
D682,712 S * 5/2013 Lammers-Meis D10/38
D725,497 S 3/2015 Henne D10/38
D739,268 S 9/2015 Lammers-Meis et al. D10/30
D740,136 S * 10/2015 Henne D10/30
D742,761 S 11/2015 Grazian et al. D10/30
D743,282 S * 11/2015 Park D10/30
D748,501 S * 2/2016 Cerrato D10/30
D749,431 S * 2/2016 Babcock D10/30
D756,240 S * 5/2016 Register D10/30
D767,566 S * 9/2016 Morgenroth D14/344
D772,081 S 11/2016 Lee et al. D10/30
D773,944 S * 12/2016 Wang D10/30
D778,737 S * 2/2017 Jacobs D10/38
D779,342 S * 2/2017 Lintz D10/30
D789,542 S * 6/2017 Lillquist D24/167
D794,631 S * 8/2017 Solomon D10/38
D794,632 S * 8/2017 Solomon D10/38
9,760,064 B2 * 9/2017 Kim G04G 21/00
D805,405 S 12/2017 Henne D10/30
D805,406 S * 12/2017 Register D10/30
D806,581 S * 1/2018 Register D10/30
D806,582 S * 1/2018 Register D10/30
D809,512 S * 2/2018 Mistry D14/344
D809,938 S * 2/2018 Hou D10/30
D817,953 S * 5/2018 Choi D14/344
D823,853 S * 7/2018 Yoshimoto D14/344
10,030,994 B2 * 7/2018 Roush G01C 22/006



2012/0320715 A1* 12/2012 Maruyama G04R 60/12
368/10
2014/0225786 A1* 8/2014 Lyons H01Q 1/273
343/702
2016/0313701 A1* 10/2016 Coakley G04B 37/106
2018/0287248 A1* 10/2018 Han H01Q 1/273
2018/0294553 A1* 10/2018 Lim H01Q 1/273

OTHER PUBLICATIONS

Garmin Vivoactive 3 review | posted at wareable.com Oct. 2017 © 2014-2018 Wareable [online][site visited Oct. 11, 2018]. Available from internet: <<https://www.wareable.com/garmin/garmin-vivoactive-3-review>> (Year: 2017).*

Garmin Forerunner 645 Music | posted at dcrainmaker.com Mar. 2018 © 2018 DC Rainmaker [online][site visited Oct. 12, 2018]. Available from internet: <<https://www.dcrainmaker.com/2018/03/garmin-forerunner-645-music-gps-watch-in-depth-review.html>> Year: 2018).*

Top Hybrid Watches for 2018 | posted at gadgetsandwearables.com May 2018 © Gadgets & Wearables 2015-2018 [online][site visited Oct. 11, 2018]. Available from internet: <<https://gadgetsandwearables.com/2018/05/09/hybrid-smartwatch/#withings>> (Year: 2018).*

U.S. Appl. No. 29/552,623, filed Jan. 25, 2016 entitled Watch With Display.

Garmin Forerunner 405, published Jan. 2008.

Garmin Forerunner 610, published Mar. 2011.

Printout from <http://consumer.huawei.com/en/wearables/huawei-watch/index.htm> published prior to Dec. 15, 2016.

Printout from <http://www.apple.com/watch/> published prior to Jan. 25, 2016.

Printout from <http://www.chrono24.com/hublot/formula-1-king-power-f1-ceramic-limited-sealed--id1818204.htm> published prior to Dec. 15, 2016.

Printout from <http://www.computerworld.com/article/2643100/moto-360-review-an-elegant-smartwatch-with-exceptional-features.html> published prior to May 8, 2015.

Printout from <http://www.cookoo2.com/>, published prior to May 21, 2015.

Printout from <http://www.lindewerdelin.com/products/watches/spidolite>, published prior to May 21, 2012.

Printout from http://www.ralphlauren.fr/category/index.jsp?categoryId=53519341&ab=fr_FR_Watches_LP_Slot_5_S1 published prior to Dec. 15, 2016.

Printout from <http://www.suunto.com/en-US/Product-search/See-all-Sports-Watches/?sortby=New&searchTerm=traverse&page=0> published prior to Dec. 15, 2016.

Printout from <http://www.tagheuer.com/int-en/luxury-watches/carrera/carrera-calibre-heuer-01-chronograph-titanium-43mm-grey-others-bracelet> published prior to Aug. 15, 2016.

Printout from <http://www.tagheuer.com/int-en/luxury-watches/carrera/carrera-calibre-1887automatic-chronograph43-mm-black-steel-bracelet-car2a10-ba0799>, published prior to Aug. 15, 2016.

Printout from <http://www.t-touch.com/en-en/#!/t-touch-expert-solar> published prior to Dec. 15, 2016.

Printout from https://jet.com/product/detail/fc92daab81424e10baa51759e0ea8729?icmp=pla:ggl:NJ_dur_Cwin_Mens_Clothing_Shoes_Accessories_a1:Mens_Clothing_Shoes_Accessories_Mens_Watches_Mens_Watches_a1:na:PLA_791051016_46779163368_pla-322827945084:na:na:na2&code=PLA15 published prior to Apr. 6, 2017.

Printout from <https://www.amazon.com/Salvatore-Ferragamo-F55LGQ6877-S113-Carbon/dp/B007O20FO8> published prior to Apr. 6, 2017.

Printout from <https://www.amazon.com/Welder-K28-7100-Chronograph-Ion-Plated-Stainless/dp/B001PRFJOY> published prior to Dec. 15, 2016.

Printout from https://www.asus.com/ZenWatch/ASUS_ZenWatch_WI500Q/ published prior to Jan. 25, 2016.

Printout from <https://www.audemarspiguets.com/en/watch-collection/royal-oak-offshore/> published prior to Dec. 15, 2016.

Printout from https://www.bloomingdales.com/shop/product/g-shock-g-steel-53.8mm?ID=2725010&pla_country=US&cm_mmc=Google-PLA-ADC--Jewelry%20%26%20Accessories-NA--G-shock--889232168203USA&CAWELAID=12015607005934945&CAGPSPN=pla&CAAGID=47685648719&CATCI=pla-383074889643&CATARGETID=12015607006241384&cadevice=c&gclid=EA1alQobChMlvMbEIL3B1wIVk6DsCh3QDwNMEAQYASABEgJNgvD_BwE, published prior to Dec. 15, 2016.

Printout from <https://www.cnet.com/products/lg-g-watch/review/> published prior to Jan. 25, 2016.

Printout from <https://www.omegawatches.com/watch-omega-speedmaster-moonwatch-professional-chronograph-42-mm-31133423001002> published prior to Apr. 6, 2017.

Printout from <https://www.sonymobile.com/global-en/products/smart-products/smartwatch-3-swr50/> published prior to Jan. 25, 2016.

Printout from www.dcrainmaker.com/2012/04/suunto-ambit-in-depth-review.html published prior to Sep. 29, 2015.

Printout from www.suunto.com/en-US/Products/Sports-Watches/Suunto-Ambit2/Suunto-Ambit2-Black/ published prior to Sep. 29, 2015.

Printout from www.theaaronloy.com/wp-content/uploads/2013/07/Casio-MT-G-G-Shock-Watch.jpg published prior to Sep. 29, 2015.

Printout from www.watchtowhat.com/wp-content/uploads/2015/03/casio-edifice-8.jpg published prior to Sep. 29, 2015.

Suunto Core, published prior to May 21, 2012.

Suunto Elementum, published prior to May 21, 2012.

Suunto X10, published prior to May 21, 2012.

Timex eCompass, published prior to May 21, 2012.

Tissot Touch Around, published prior to May 21, 2012.

* cited by examiner

Primary Examiner — Sandra S Snapp

Assistant Examiner — Katherine Glennon

(74) Attorney, Agent, or Firm — Samuel M. Korte; Max M. Ali

(57)

CLAIM

The ornamental design for a watch with display, as shown and described.

DESCRIPTION

FIG. 1 is a front perspective view of a watch with display according to the present invention; FIG. 2 is a rear perspective view of the watch with display; FIG. 3 is a top view of the watch with display; FIG. 4 is a front view of the watch with display; FIG. 5 is a bottom view of the watch with display; FIG. 6 is a rear view of the watch with display; FIG. 7 is a left side view of the watch with display; and, FIG. 8 is a right side view of the watch with display. The broken lines shown in the drawings represent portions of the watch with display that form no part of the claimed design.

1 Claim, 4 Drawing Sheets

Fig. 1

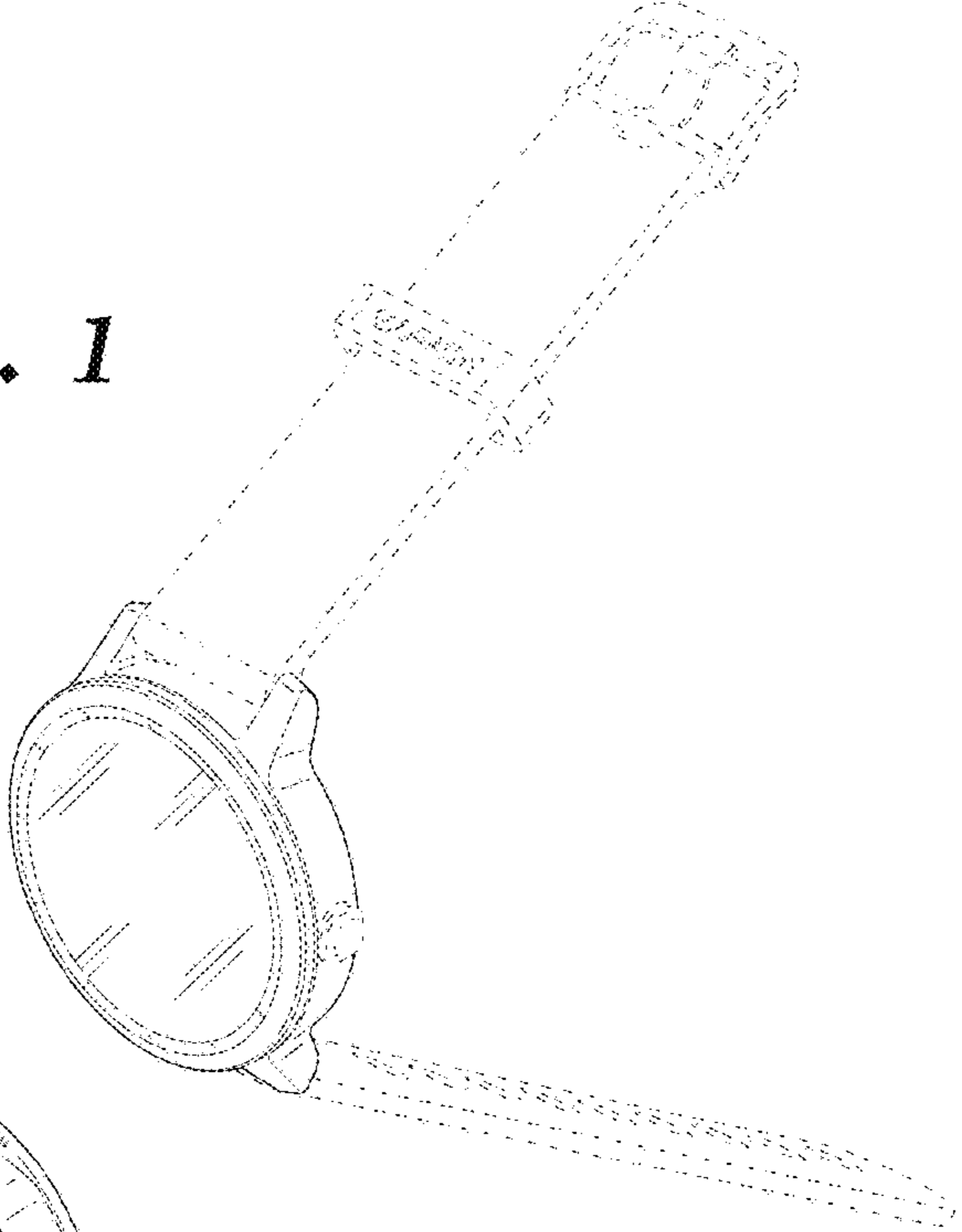
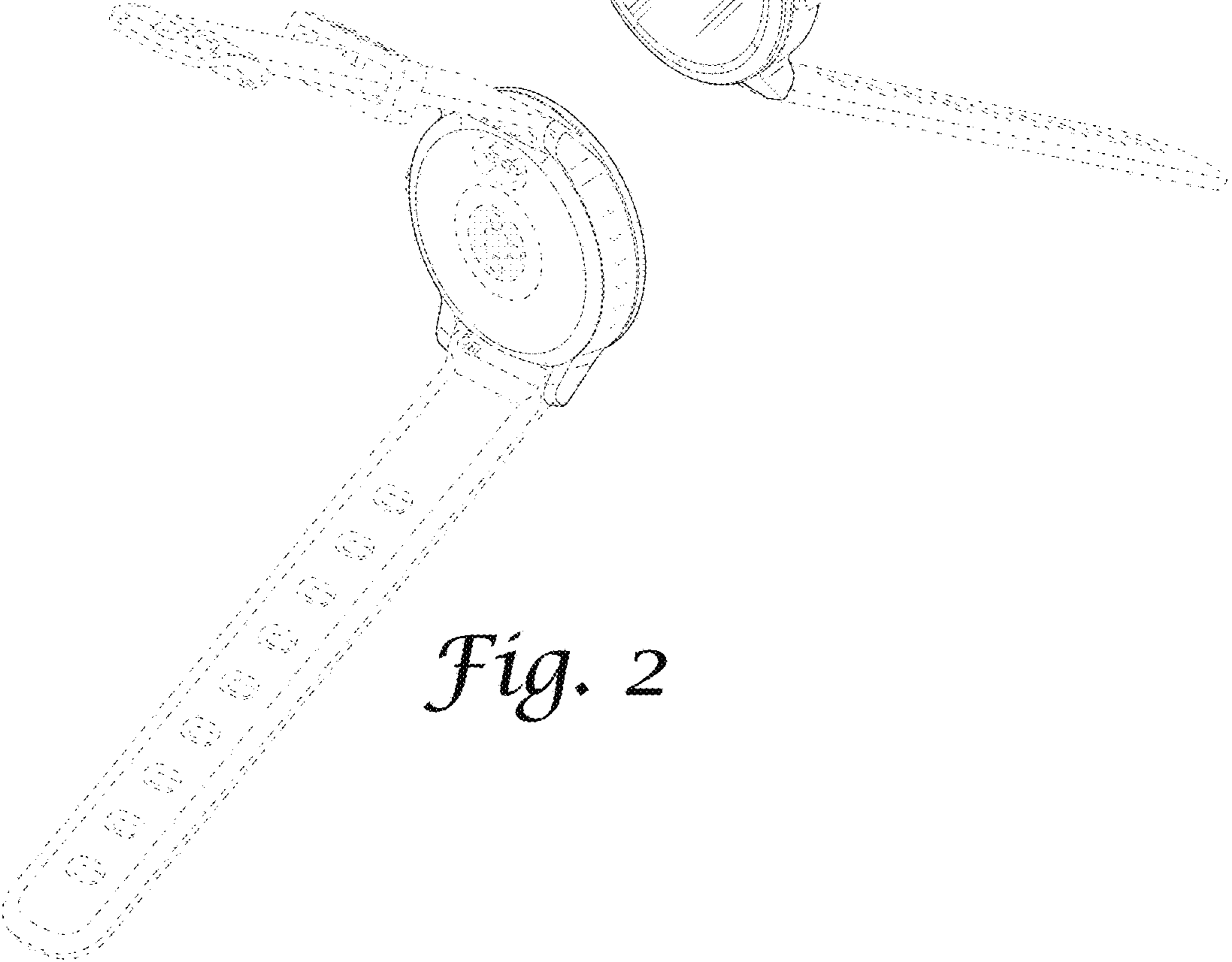


Fig. 2



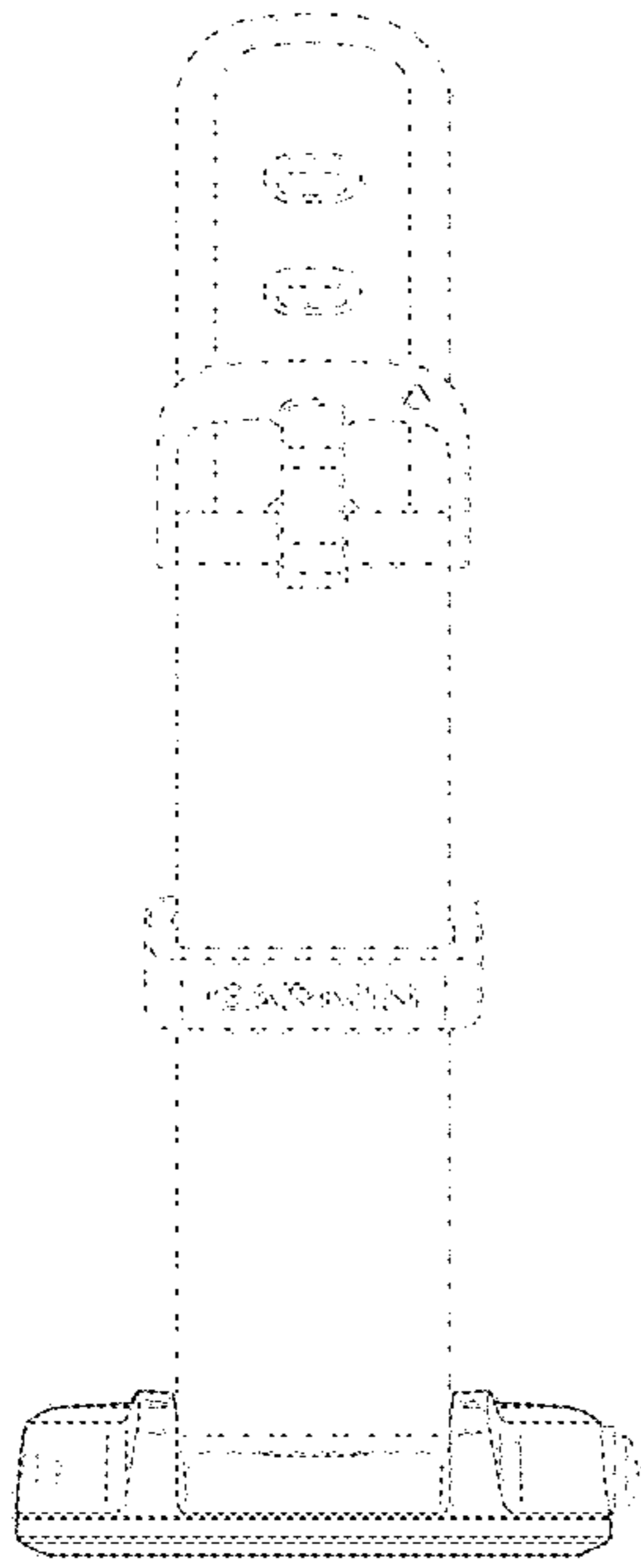


Fig. 3

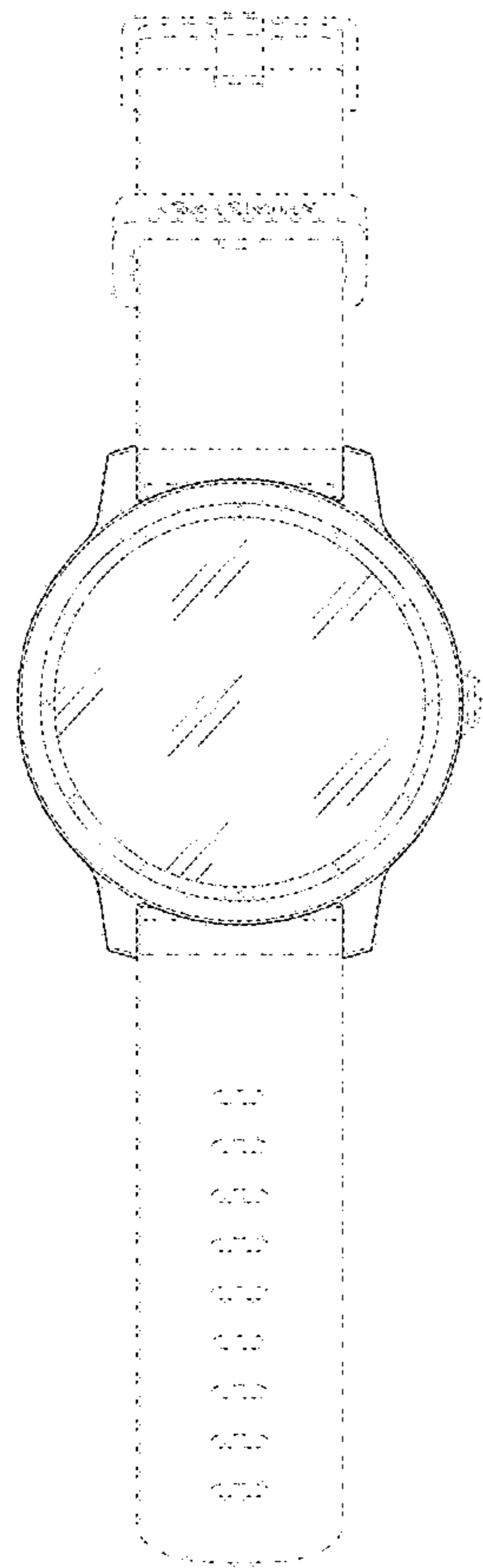


Fig. 4

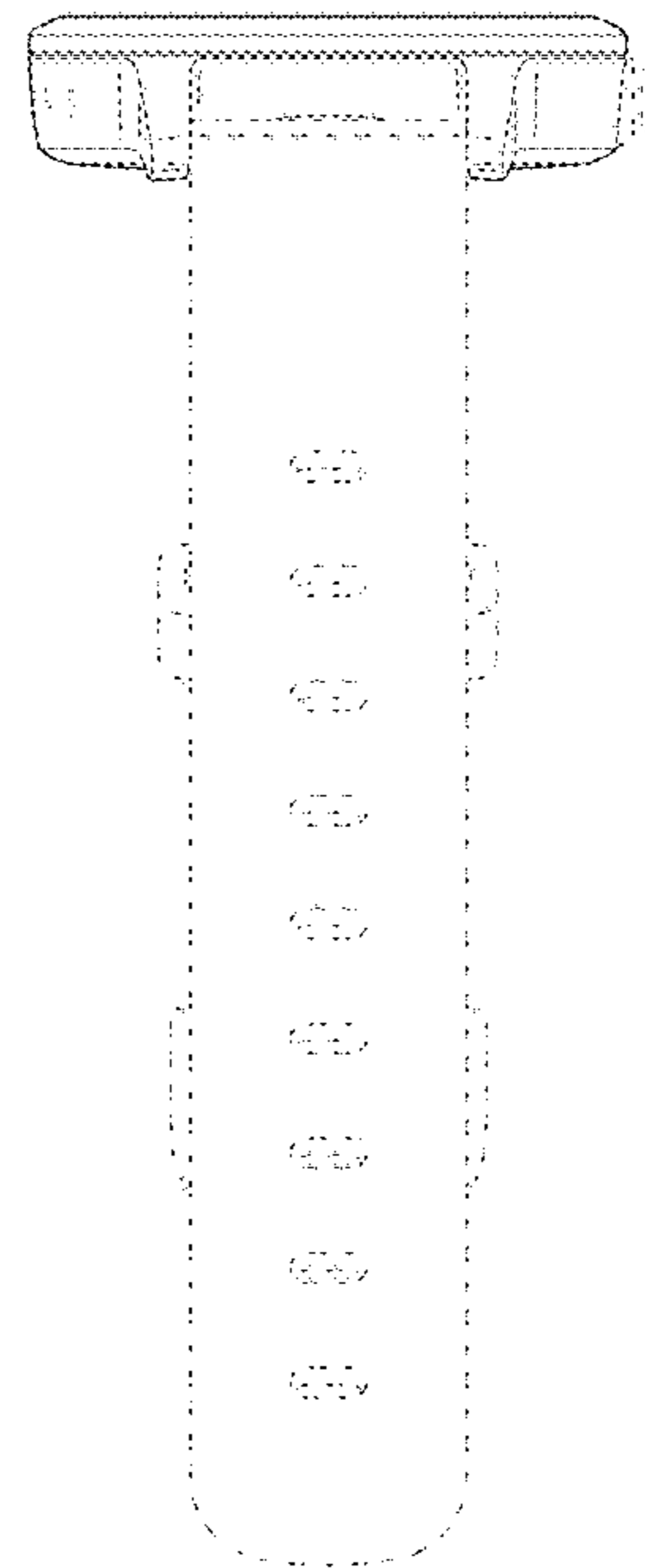


Fig. 5

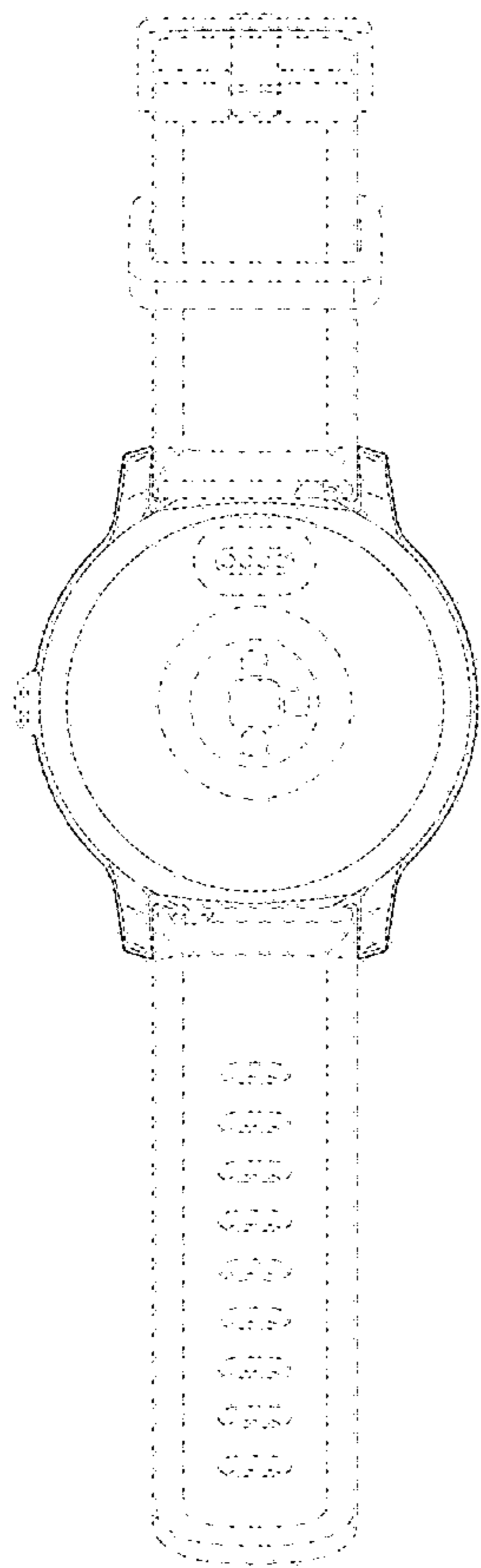


Fig. 6

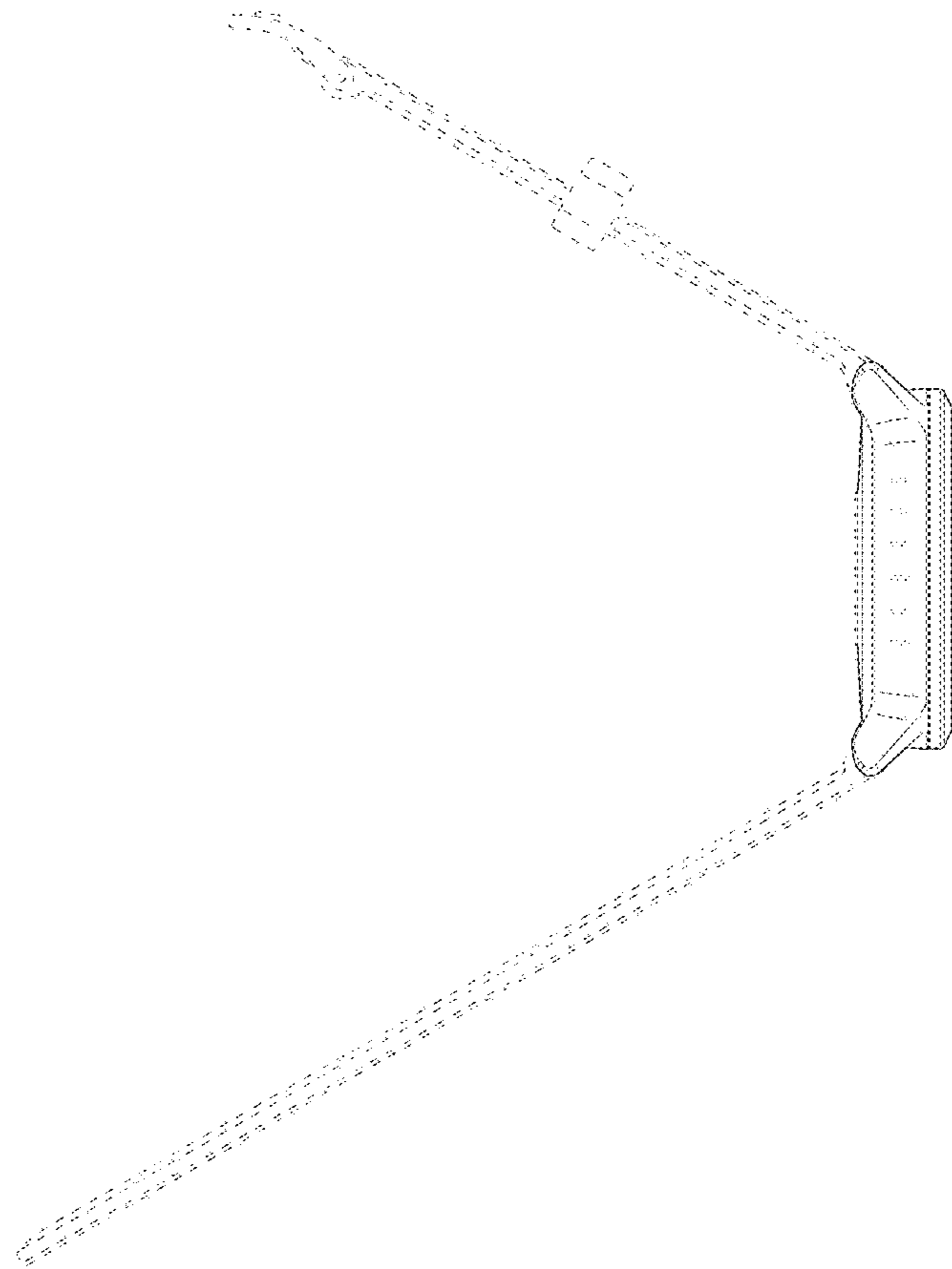


Fig. 7

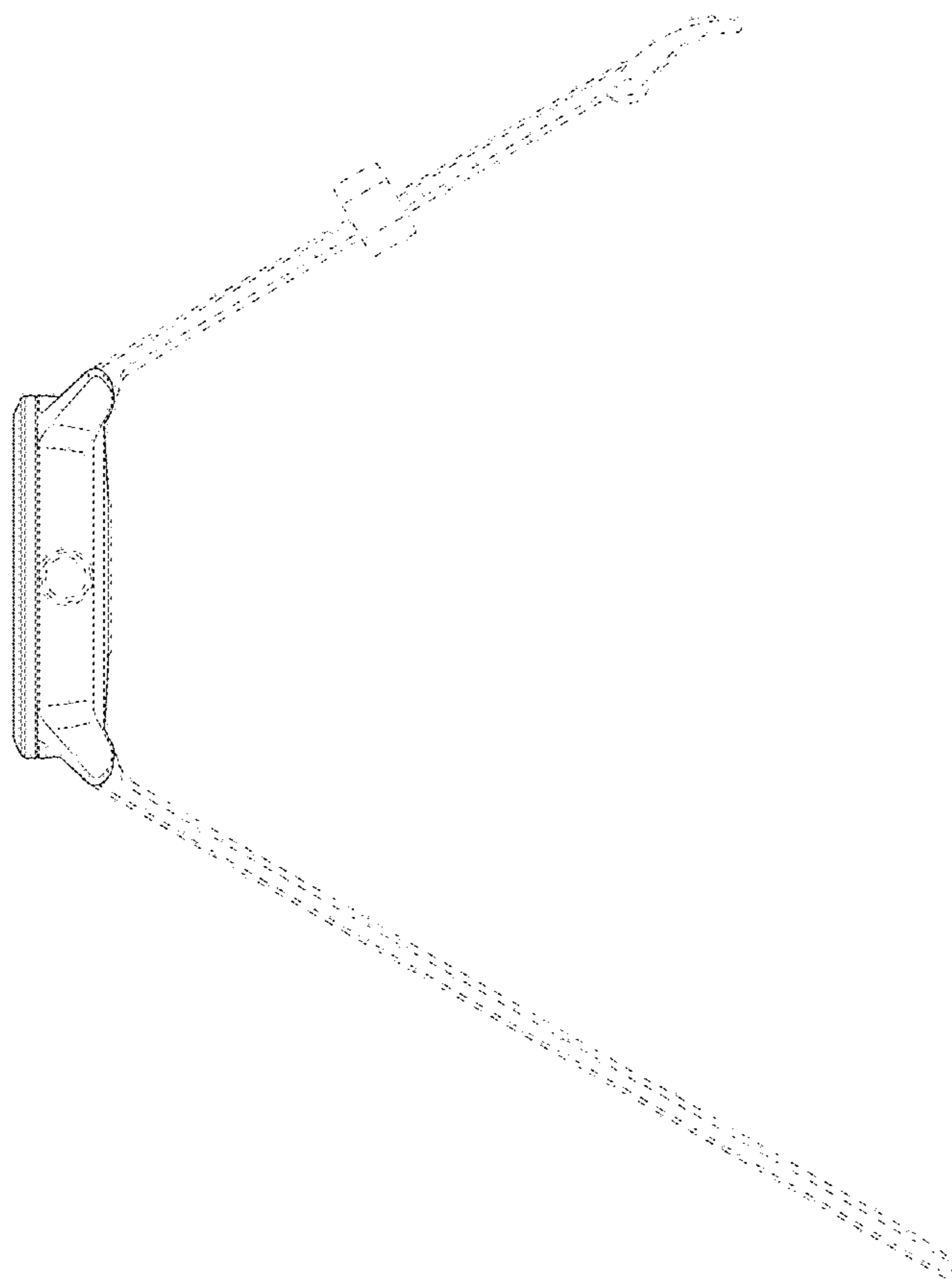


Fig. 8