



US00D848863S

(12) **United States Design Patent** (10) **Patent No.:** **US D848,863 S**
Le Bot (45) **Date of Patent:** **** May 21, 2019**

(54) **WATCH CASE**

(71) Applicant: **Richemont International SA,**
Villars-sur-Glane (CH)

(72) Inventor: **Malo Le Bot,** Vesenaz (CH)

(73) Assignee: **Richemont International SA,**
Villars-sur-Glane (CH)

(**) Term: **15 Years**

(21) Appl. No.: **29/606,858**

(22) Filed: **Jun. 8, 2017**

(30) **Foreign Application Priority Data**

Dec. 9, 2016 (WO) DM/093820

(51) **LOC (11) Cl.** **10-02**

(52) **U.S. Cl.**
USPC **D10/30**

(58) **Field of Classification Search**

USPC D10/1-2, 10, 30-33, 36-39, 98-99,
D10/122-124, 126-128, 132; D11/3;
D14/344; D24/167, 186

CPC G04B 19/00; G04B 19/04; G04B 19/06;
G04B 19/065; G04B 19/08; G04B
19/085; G04B 19/10; G04B 19/103;
G04B 19/106; G04B 47/042; G04B
47/048; G04B 19/12; G04B 19/18; G04B
19/223; G04B 19/22; G04B 19/283;
G04B 37/00; G04B 37/0008; G04B
37/0058; G04B 37/04; G04B 37/0418;
G04B 45/0061; G04B 45/0069; G04B
19/26; G04B 19/264; G04D 3/04; A44C
5/00; A44C 5/0053; G04C 19/00; G04C
19/02; G04C 3/001; G04F 1/00; G04F
3/00; G04F 3/02; G04G 17/00; G04G
17/005; G04G 17/02-17/04; G04G 17/08

See application file for complete search history.

(56) **References Cited**

U.S. PATENT DOCUMENTS

D195,421 S *	6/1963	Huguenin	D10/39
D357,636 S *	4/1995	Riley	D10/30
D365,283 S *	12/1995	Goulet Mauboussin	D10/30
D378,355 S *	3/1997	Charriol	D10/30
D382,815 S *	8/1997	Riley	D10/30
D409,923 S *	5/1999	Riley	D10/30
D410,852 S *	6/1999	Riley	D10/30
D470,776 S *	2/2003	Blondin	D10/30
D488,724 S *	4/2004	Bertucci	D10/30
D494,872 S *	8/2004	Hill	D10/30

(Continued)

OTHER PUBLICATIONS

IWC Aquatimer Chronograph | posted at perpetuelle.com Oct. 2015
© 2018 Perpetuelle, Inc. [online][site visited Sep. 24, 2018]. Avail-
able from internet: <<https://blog.perpetuelle.com/buying-time/%F0%9F%92%A6-buying-time-five-to-dive-watches-from-iwc-breitling-more-%F0%9F%92%A6/>> (Year: 2015).*

(Continued)

Primary Examiner — Sandra S Snapp
Assistant Examiner — Katherine Glennon
(74) *Attorney, Agent, or Firm* — Taft Stettinius &
Hollister LLP

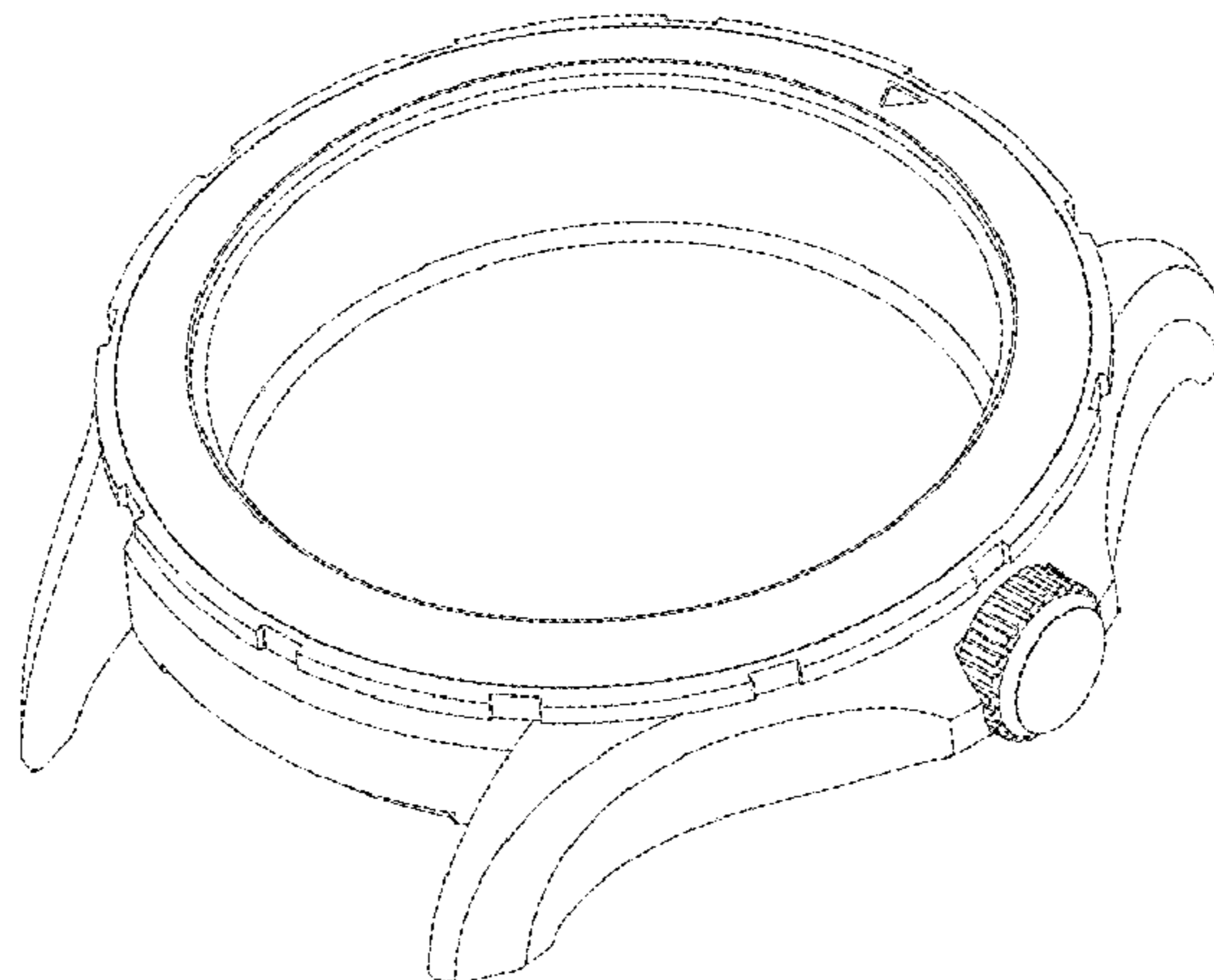
(57) **CLAIM**

The ornamental design for a watch case, as shown and described.

DESCRIPTION

FIG. 1 is a front elevational view of a watch case showing my new design;
FIG. 2 is a back elevational view thereof;
FIG. 3 is a right side elevational view thereof;
FIG. 4 is a left side elevational view thereof;
FIG. 5 is a bottom plan view thereof;
FIG. 6 is a top plan view thereof; and,
FIG. 7 is a front, right side perspective view thereof.

1 Claim, 1 Drawing Sheet



(56)

References Cited

U.S. PATENT DOCUMENTS

D607,755 S * 1/2010 Kummer D10/38
D672,664 S * 12/2012 Monachon D10/32
D672,665 S * 12/2012 Deleskiewicz D10/38
D702,136 S * 4/2014 Monachon D10/39
8,721,171 B2 * 5/2014 Tsuji G04B 37/0008
368/319
8,902,716 B2 * 12/2014 Maruyama G04R 60/12
368/293
D732,982 S * 6/2015 Monachon D10/38
D801,195 S * 10/2017 Monachon D10/30
D803,210 S * 11/2017 Bang D14/344
D813,691 S * 3/2018 Plange D10/38
2017/0097248 A1 * 4/2017 Eom G04C 3/001
2018/0011448 A1 * 1/2018 Von Allmen G04B 37/18

OTHER PUBLICATIONS

Baume et Mercier Clifton Club | posted at hodinkee.com Jan. 2017
© 2009-2018, Hodinkee Inc [online][site visited Sep. 24, 2018].
Available from internet: <<https://www.hodinkee.com/articles/baume-and-mercier-clifton-club-collection-introducing>> (Year: 2017).*

* cited by examiner

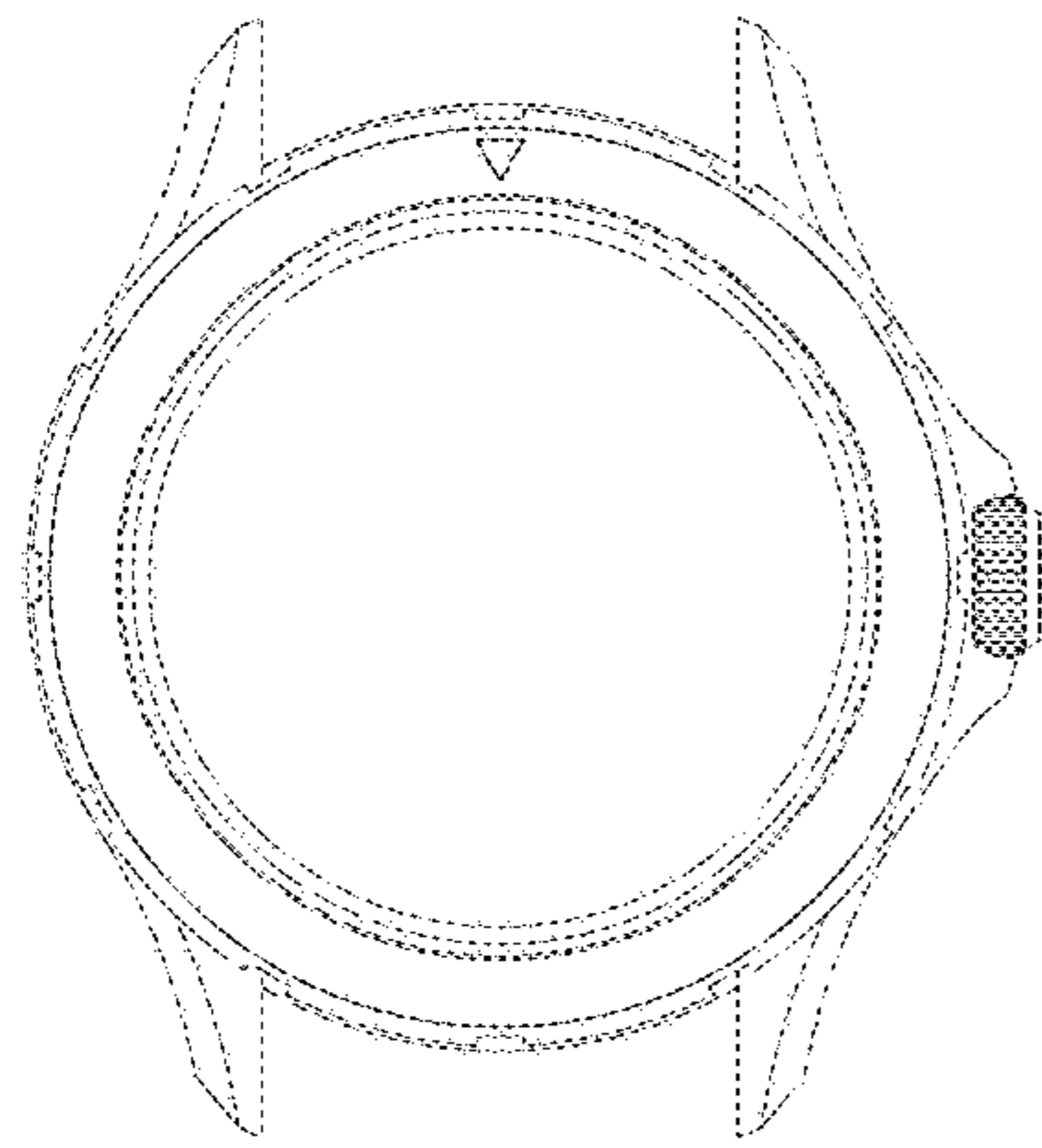


Fig. 1

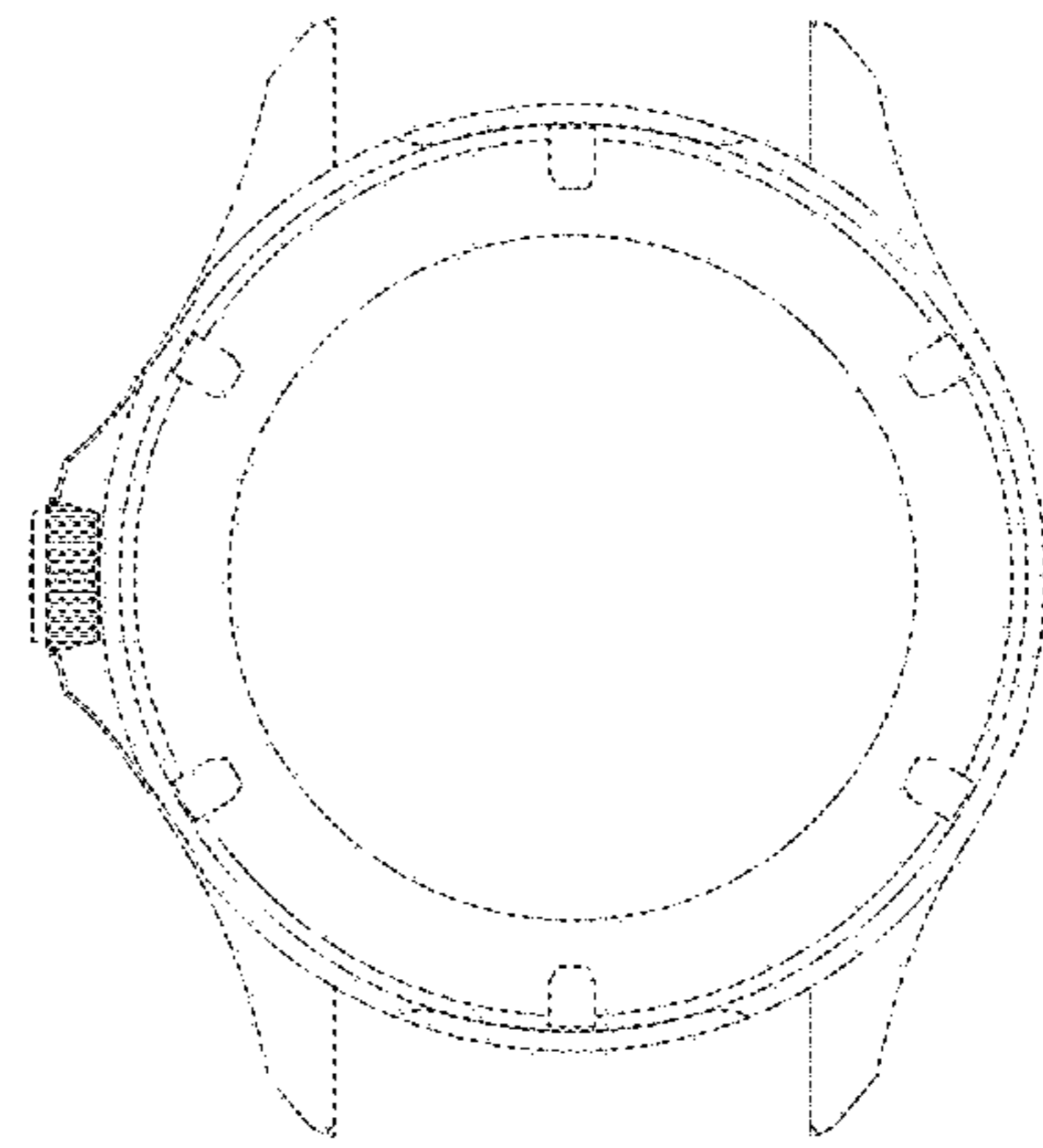


Fig. 2

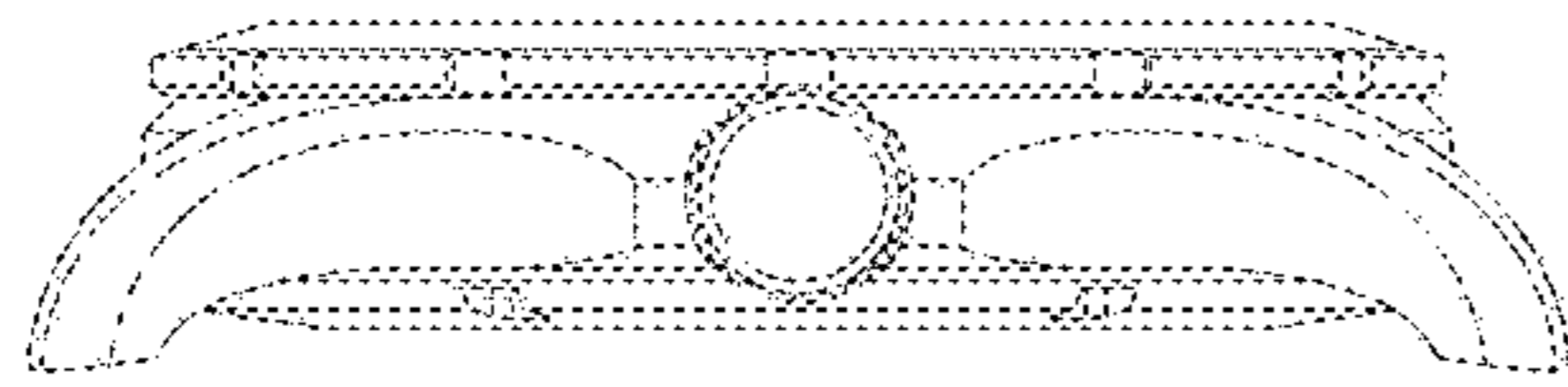


Fig. 3

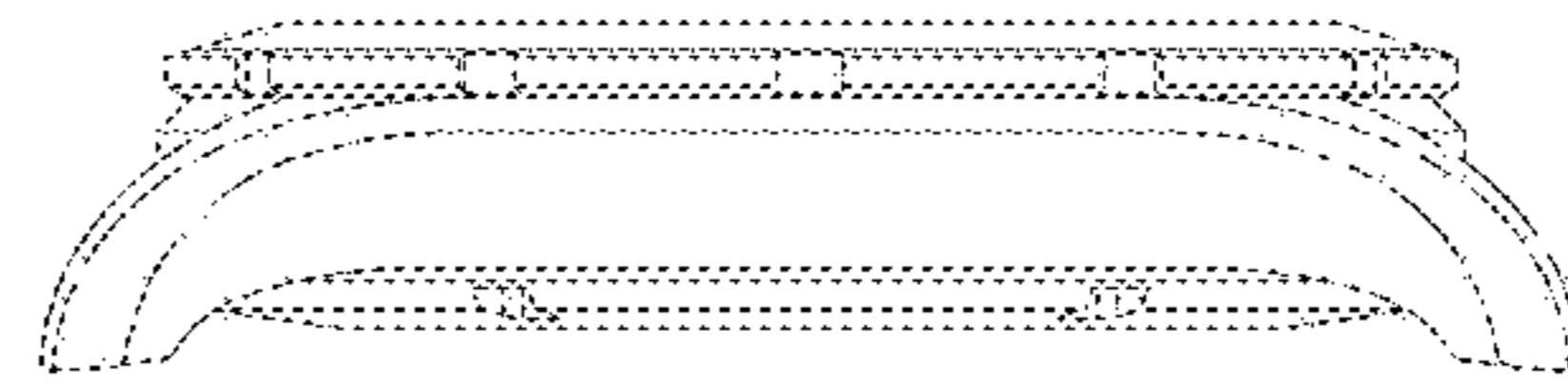


Fig. 4

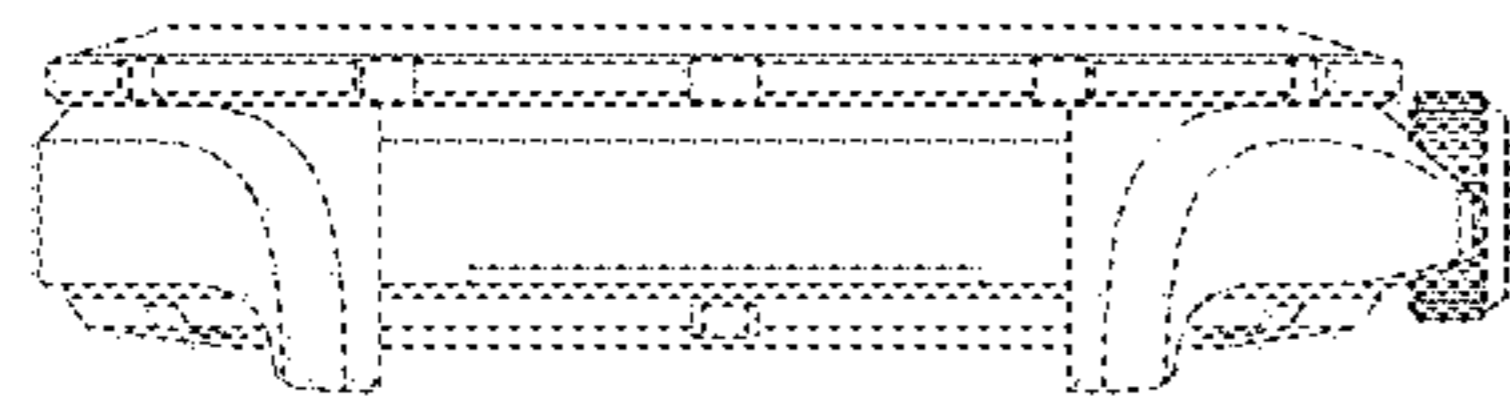


Fig. 5

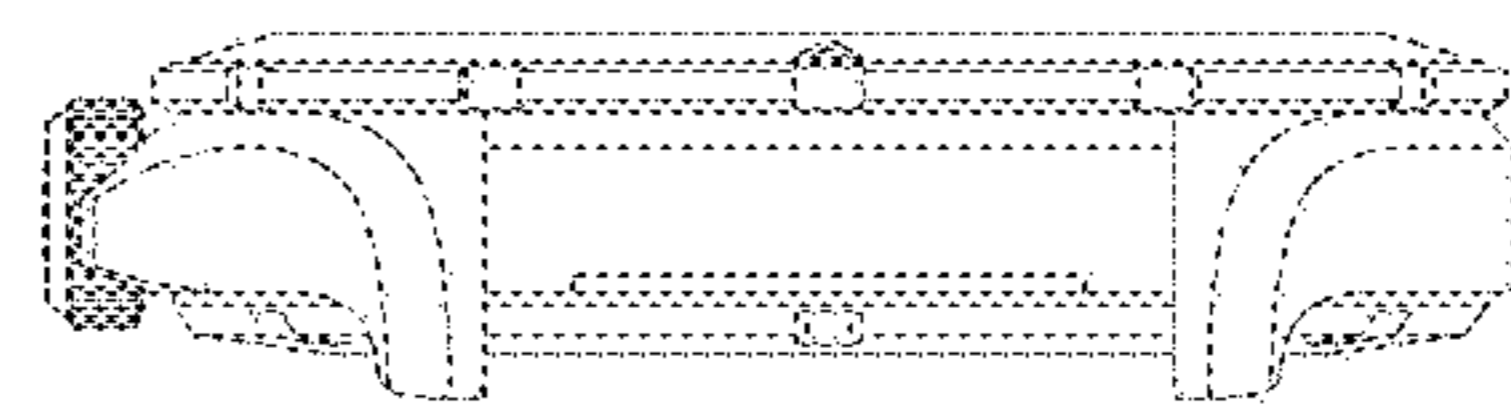


Fig. 6

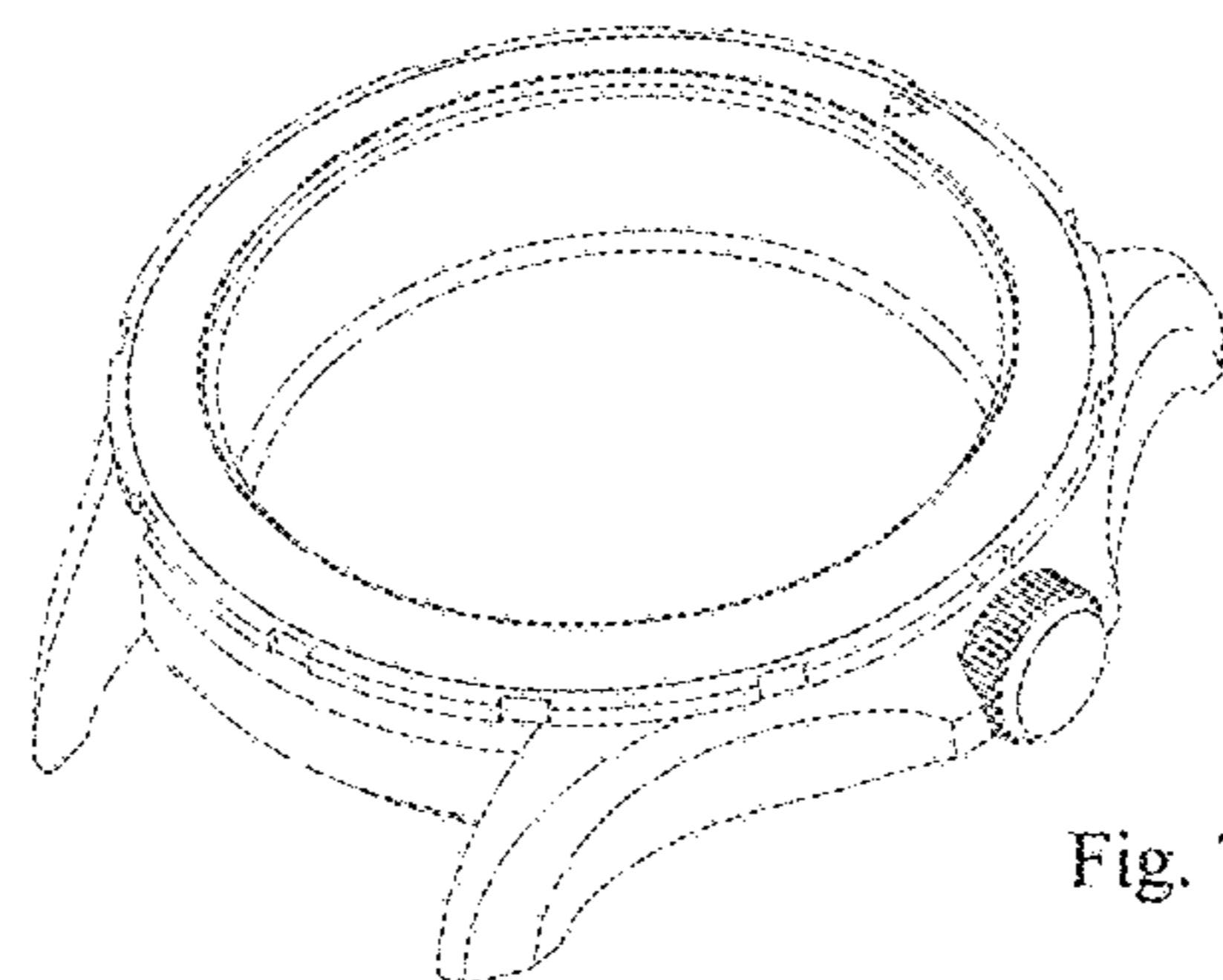


Fig. 7