



US00D848858S

(12) **United States Design Patent** (10) **Patent No.:** **US D848,858 S**
Tastan (45) **Date of Patent:** **** May 21, 2019**

(54) **AIRTIGHT DRY BAG**

(56) **References Cited**

(71) Applicant: **TALSAR GROUP LTD.**, Kowloon (HK)

U.S. PATENT DOCUMENTS

(72) Inventor: **Edward Tastan**, Bangkok (TH)

D471,436 S *	3/2003	Robin Marieton	D9/705
D779,965 S *	2/2017	Ackerman	D9/707
D799,338 S *	10/2017	Balganon Canela	D9/705
D831,499 S *	10/2018	Hardy	D9/707
D838,606 S *	1/2019	McConnell	D9/705

(**) Term: **15 Years**

* cited by examiner

(21) Appl. No.: **29/634,673**

Primary Examiner — Abraham Bahta

(22) Filed: **Jan. 24, 2018**

(74) *Attorney, Agent, or Firm* — Patentfile, LLC; Bradley C. Fach

(51) **LOC (11) Cl.** **09-05**

(52) **U.S. Cl.**
USPC **D9/705**

(57) **CLAIM**

The ornamental design for an airtight dry bag, as shown and described.

(58) **Field of Classification Search**

DESCRIPTION

USPC D9/702–714, 720–722, 416–417,
D9/695–696; D24/118–119, 207;
383/200, 207, 38, 208–209, 63, 61.1, 113,
383/6; 229/87.06, 87.03, 87.08;
426/106, 115, 119–120, 122, 410;
222/94, 107, 541.1, 92, 541.2; 206/811,
206/229, 484; 219/727; D3/201, 232,
D3/240, 245; 150/107
CPC B65D 33/25; B65D 11/00; B65D 11/18;
B65D 11/10; B65D 17/00; B65D 17/16;
B65D 17/161; B65D 17/163; B65D
17/20; B65F 1/006; B65F 1/062; B65F
1/1415

FIG. 1 is a front elevation view showing the new, original, and ornamental design of an airtight dry bag;
FIG. 2 is a rear elevation view thereof;
FIG. 3 is a left side elevation view thereof;
FIG. 4 is a right side elevation view thereof;
FIG. 5 is a top side plan view thereof; and,
FIG. 6 is a bottom side plan view thereof.
The broken lines shown in the drawings represent environmental subject matter and form no part of the claimed design.

See application file for complete search history.

1 Claim, 4 Drawing Sheets

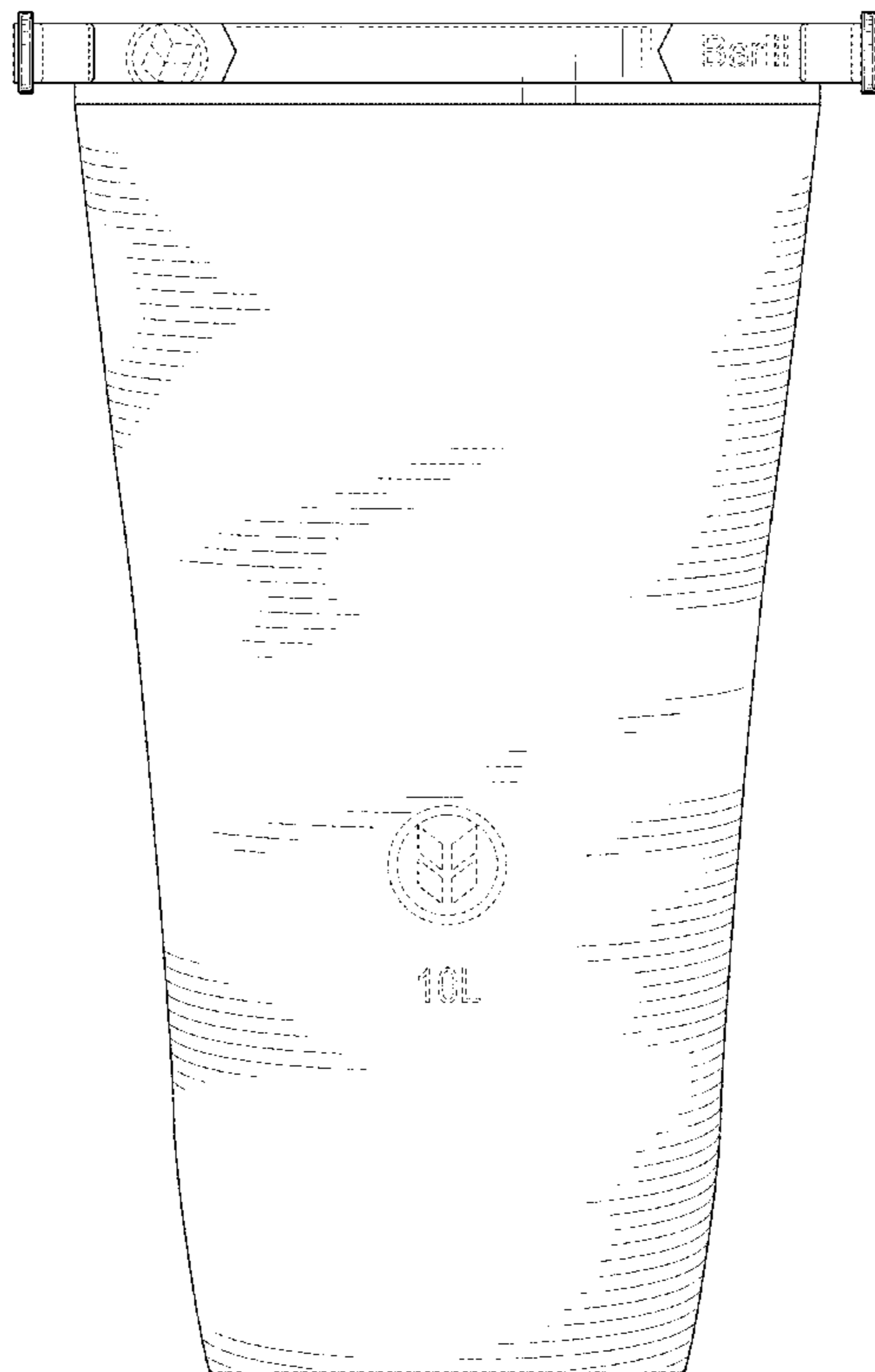




FIG. 1

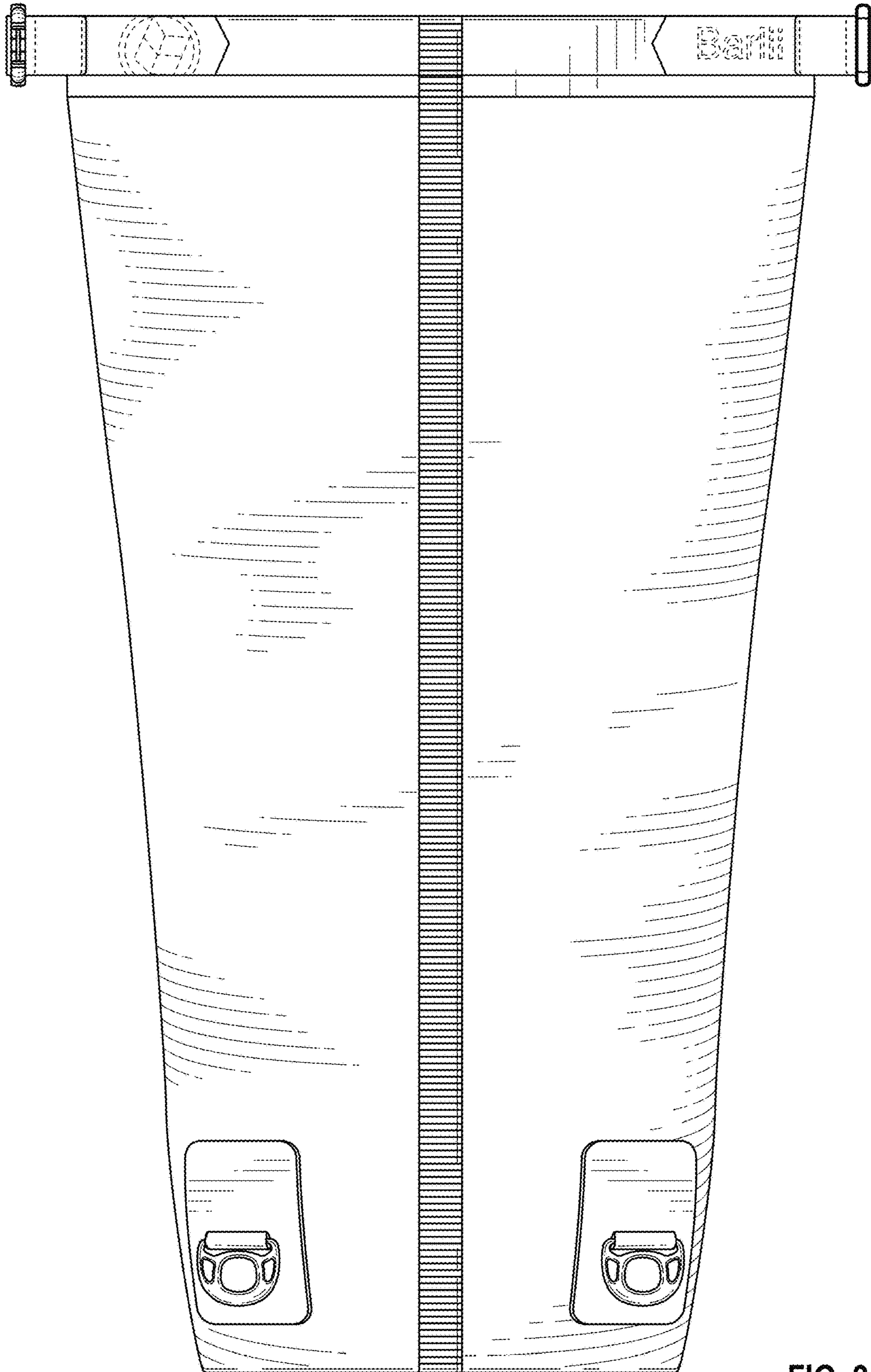


FIG. 2

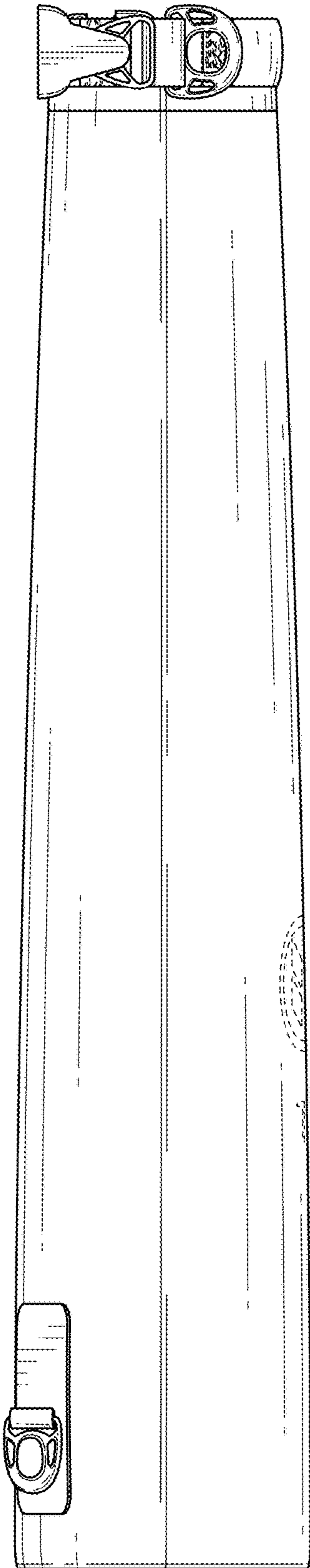


FIG. 3

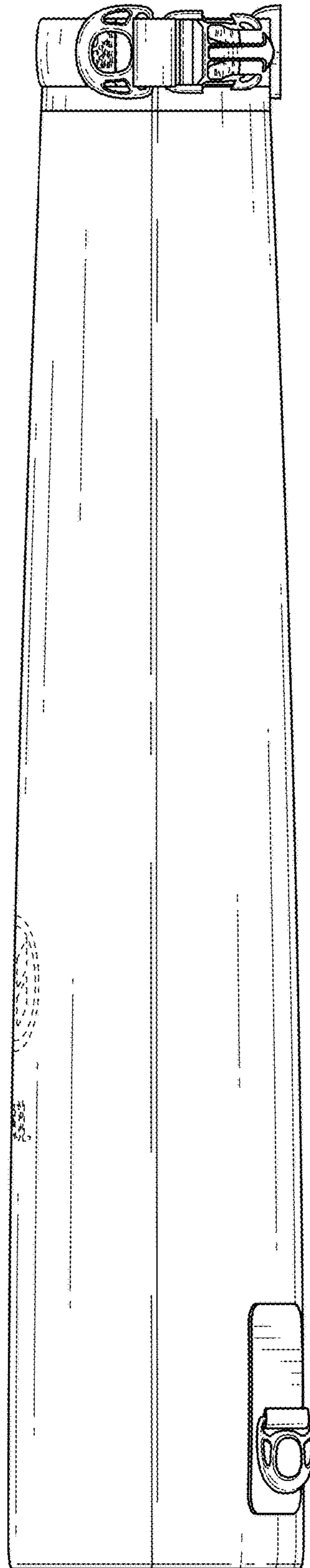


FIG. 4

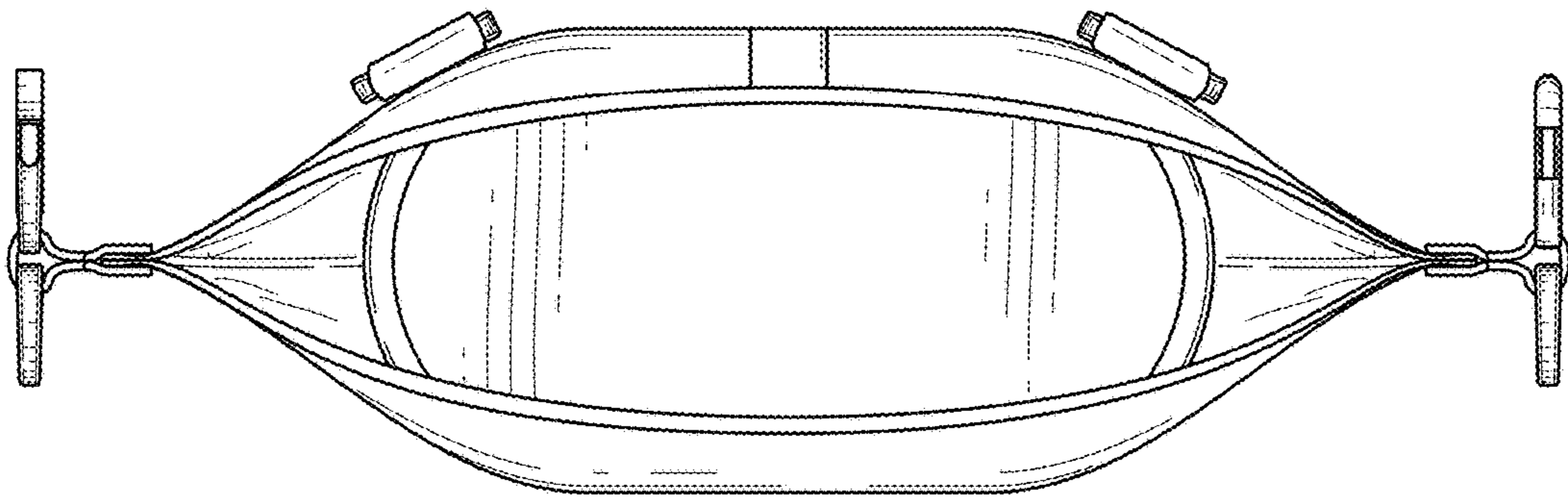


FIG. 5

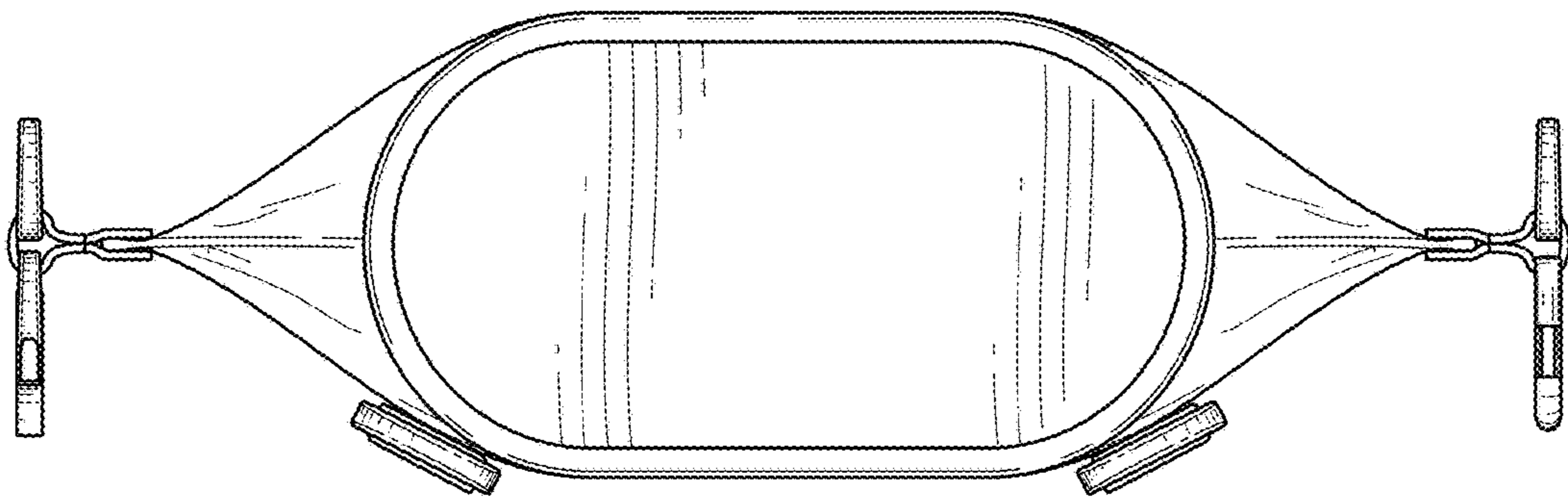


FIG. 6