



US00D848855S

(12) **United States Design Patent**
Van Den Heijkant et al.

(10) **Patent No.:** **US D848,855 S**

(45) **Date of Patent:** **** May 21, 2019**

(54) **BOTTLE**

(71) Applicant: **THETFORD BV**, Etten-Leur (NL)

(72) Inventors: **Ruud Van Den Heijkant**, Teteringen (NL); **Pascal Kuijten**, Breda (NL)

(73) Assignee: **THETFORD BV**, Etten-Leur (NL)

(**) Term: **15 Years**

(21) Appl. No.: **29/627,651**

(22) Filed: **Nov. 29, 2017**

(51) **LOC (11) Cl.** **09-01**

(52) **U.S. Cl.**
USPC **D9/575**

(58) **Field of Classification Search**
USPC D7/300–322, 391–396.2, 509–511, 523, D7/589, 598, 612, 615, 619.1; D9/435, D9/436, 439, 440, 443, 447, 454, 500, D9/503–505, 516–575, 763–783; 215/40–55, 316–354, 370–385; 220/574–575; D4/116; D6/515, 516, D6/542–545; D28/7, 57, 73, 76–91.1
CPC B65D 1/00; B65D 1/02; B65D 1/0223; B65D 1/023; B65D 1/0276

See application file for complete search history.

(56) **References Cited**

U.S. PATENT DOCUMENTS

D94,153 S	*	12/1934	Levine	D9/566
D191,544 S	*	10/1961	Bloch	D9/543
D194,809 S	*	3/1963	DuPree	D9/544
D211,625 S	*	7/1968	DuPree	D7/300
D236,586 S	*	9/1975	McDonald	D9/574
D256,555 S	*	8/1980	Beeman	D9/563
D257,125 S	*	9/1980	Smali	D9/569
D276,791 S	*	12/1984	Field	D9/535

D287,937 S		1/1987	Sargent et al.	
D573,479 S	*	7/2008	Varlet D9/544
D605,524 S	*	12/2009	Manocheo D9/573
D624,825 S	*	10/2010	Coulton D9/560
D632,969 S	*	2/2011	Monteparo D9/444
D646,981 S	*	10/2011	Flanagan-Kent D9/521
D835,995 S	*	12/2018	Shoemaker D9/559

OTHER PUBLICATIONS

“Thetford opts for concentrated liquid space-saving and lighter.” vivakamperen.nl, translated via Google. Sep. 25, 2017. Accessed Sep. 12, 2018. Available online at URL: <<https://www.vivakamperen.nl/magazine/tips-and-verhalen/thetford-kiest-geconcentreerde-vloeistof/>> (Year: 2017).*

* cited by examiner

Primary Examiner — Cathron C Brooks

Assistant Examiner — Christian P. McLean

(74) *Attorney, Agent, or Firm* — Stephen T. Olson; Harness, Dickey & Pierce, P.L.C.

(57) **CLAIM**

The ornamental design for a bottle, as shown and described.

DESCRIPTION

FIG. 1 is a perspective view of a bottle in accordance with our design.

FIG. 2 is a front view thereof, it being understood that the rear view is a mirror image thereof.

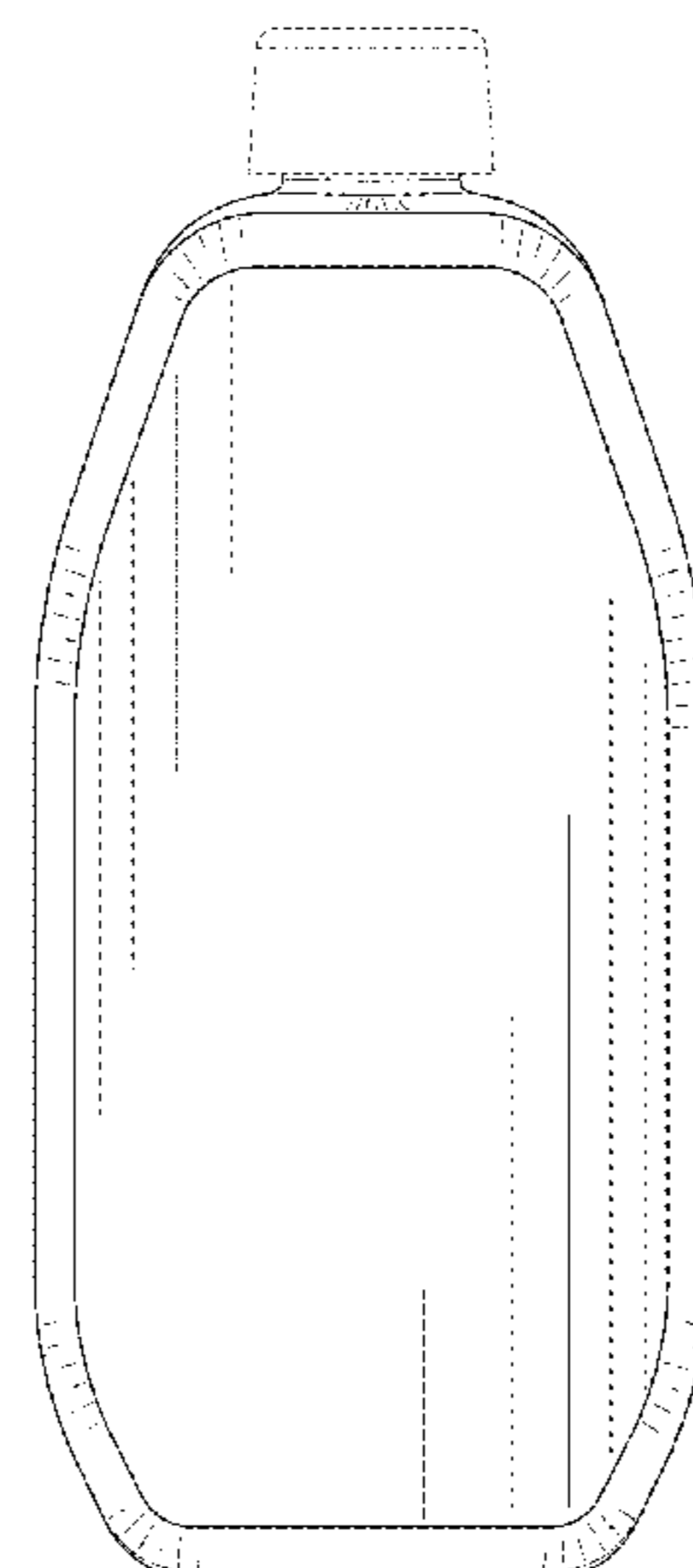
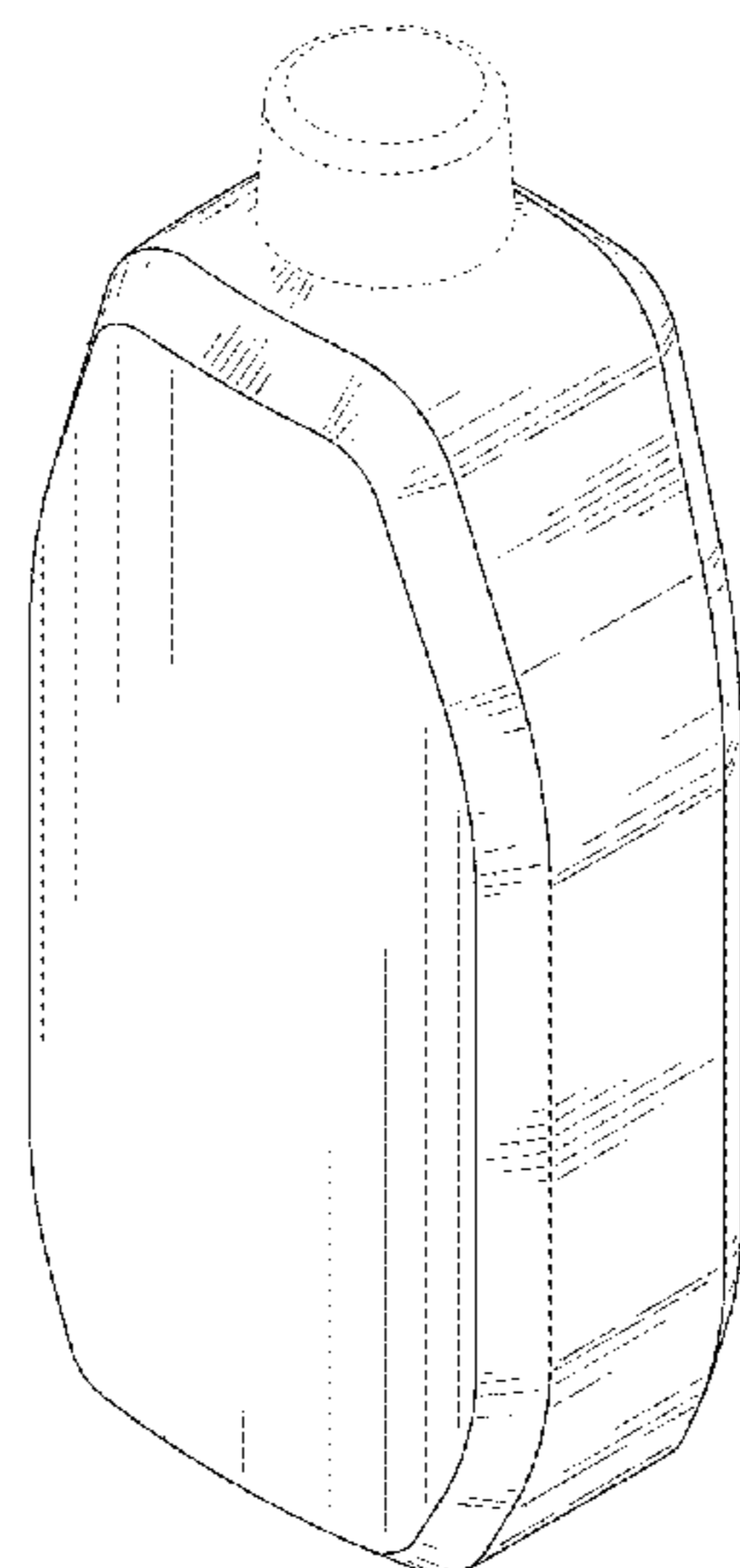
FIG. 3 is a left side view thereof, it being understood that the right side view is a mirror image thereof.

FIG. 4 is a top view thereof; and,

FIG. 5 is a bottom view thereof.

The broken lines illustrate portions of the bottle that form no part of the claimed design.

1 Claim, 4 Drawing Sheets



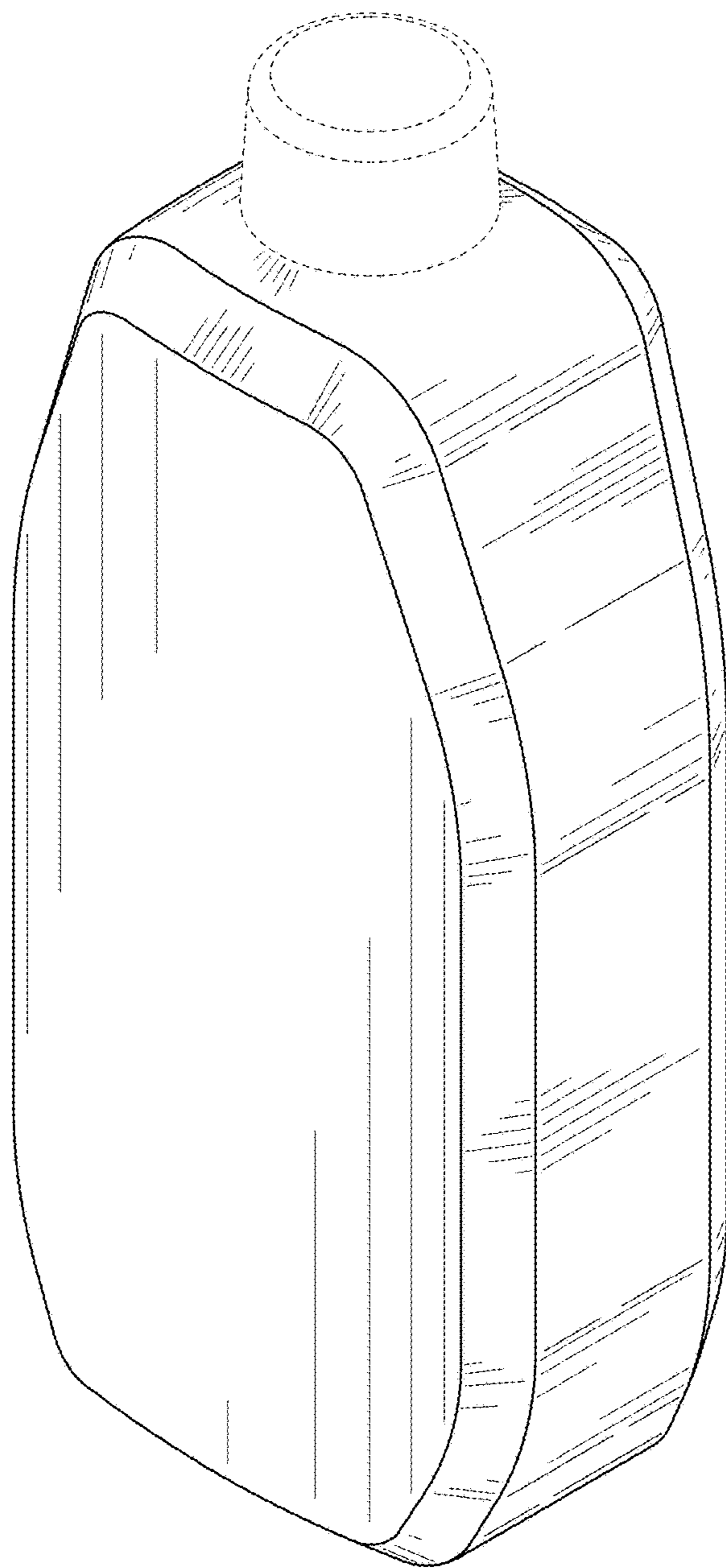


FIG. 1

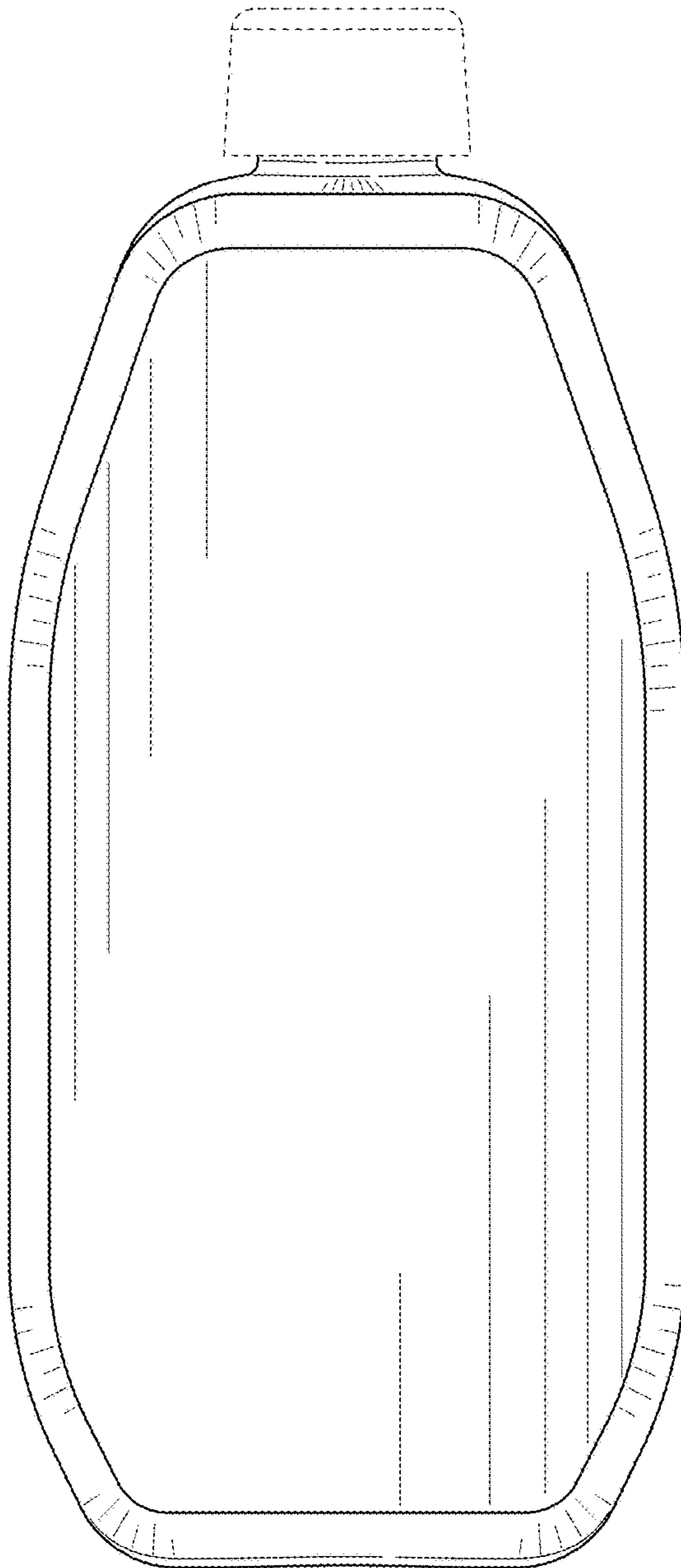


FIG. 2

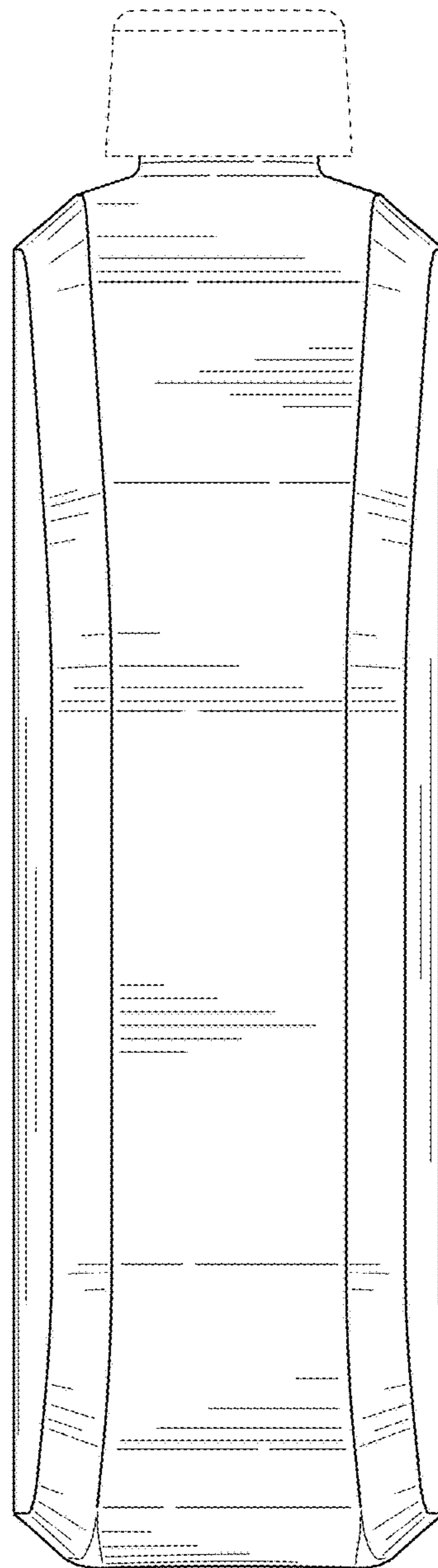


FIG. 3

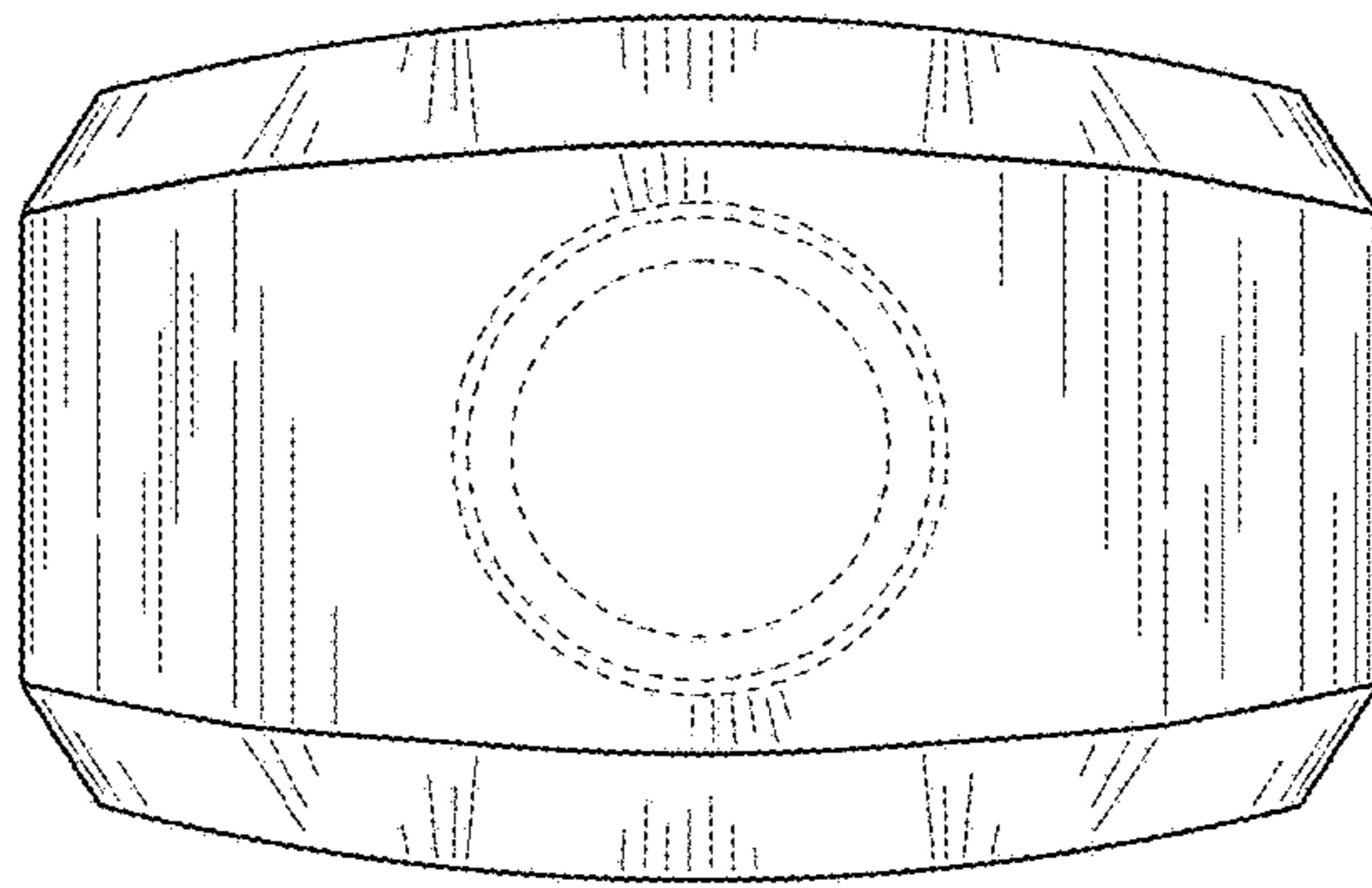


FIG. 4

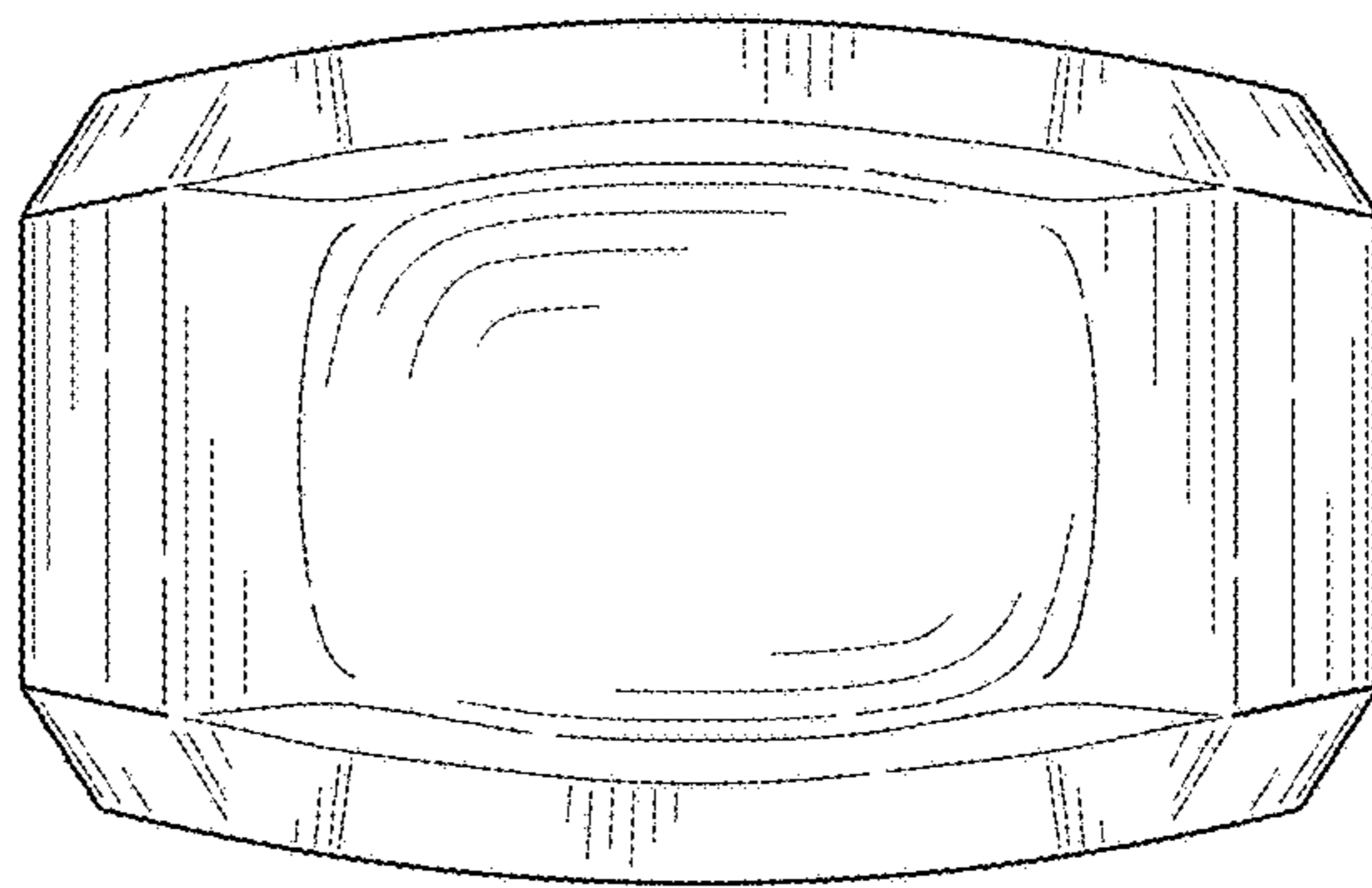


FIG. 5