



US00D848852S

(12) **United States Design Patent** (10) **Patent No.:** **US D848,852 S**  
**Simon et al.** (45) **Date of Patent:** **\*\* May 21, 2019**

(54) **CONTAINER**  
(71) Applicant: **Access Business Group International LLC**, Ada, MI (US)  
(72) Inventors: **Adam Simon**, Cedar Springs, MI (US); **Sean T. Eurich**, Portage, MI (US); **Zane Hoekstra**, Kentwood, MI (US)  
(73) Assignee: **Access Business Group International LLC**, Ada, MI (US)  
(\*\*) Term: **15 Years**  
(21) Appl. No.: **29/648,353**  
(22) Filed: **May 21, 2018**  
(51) **LOC (11) Cl.** ..... **09-01**  
(52) **U.S. Cl.**  
USPC ..... **D9/563**; D9/560  
(58) **Field of Classification Search**  
USPC ..... D9/516, 520, 544, 546, 559, 560, 563, D9/574, 715, 719; D7/300, 601, 602, D7/619.1  
CPC . B65D 1/00; B65D 1/02; B65D 1/023; B65D 1/0223; B65D 1/0276  
See application file for complete search history.

(56) **References Cited**  
U.S. PATENT DOCUMENTS  
D361,938 S \* 9/1995 Sawa ..... D9/560  
D423,366 S \* 4/2000 Gans ..... D9/541  
D426,161 S \* 6/2000 Hestehave ..... D9/520  
D426,469 S \* 6/2000 Mankowski ..... D9/541  
D481,640 S \* 11/2003 Biesecker ..... D9/560  
D498,143 S \* 11/2004 Rashid ..... D9/541  
D523,755 S \* 6/2006 Considine ..... D9/560  
D527,647 S \* 9/2006 Blank ..... D9/563  
D534,804 S \* 1/2007 Muehlhausen ..... D9/534  
D535,566 S \* 1/2007 Lin ..... D9/453  
D541,174 S \* 4/2007 Spellissy ..... D9/502

D548,607 S \* 8/2007 Langbein ..... D9/454  
D607,743 S \* 1/2010 Eble ..... D9/559  
D614,036 S \* 4/2010 Gedanke ..... D9/520  
D630,518 S \* 1/2011 Biesecker ..... D9/547  
D659,544 S \* 5/2012 Labadie ..... D9/542  
D664,440 S \* 7/2012 Gonzalez Rodriguez .... D9/544  
D675,101 S \* 1/2013 Wilson ..... D9/559  
D742,242 S \* 11/2015 McDaniel ..... D9/553  
D760,088 S \* 6/2016 Kaye ..... D9/516  
D794,468 S \* 8/2017 Ivie ..... D9/520  
D796,964 S \* 9/2017 Staab ..... D9/520  
D798,161 S \* 9/2017 Bayani ..... D9/563  
D798,725 S \* 10/2017 Stoiber ..... D9/560  
2004/0104195 A1 \* 6/2004 Yourist ..... B65D 1/0223  
215/379  
2006/0175284 A1 \* 8/2006 Noll ..... B65D 1/0261  
215/382

\* cited by examiner

*Primary Examiner* — Ian Simmons  
*Assistant Examiner* — Keith Frank  
(74) *Attorney, Agent, or Firm* — Alticor Inc.

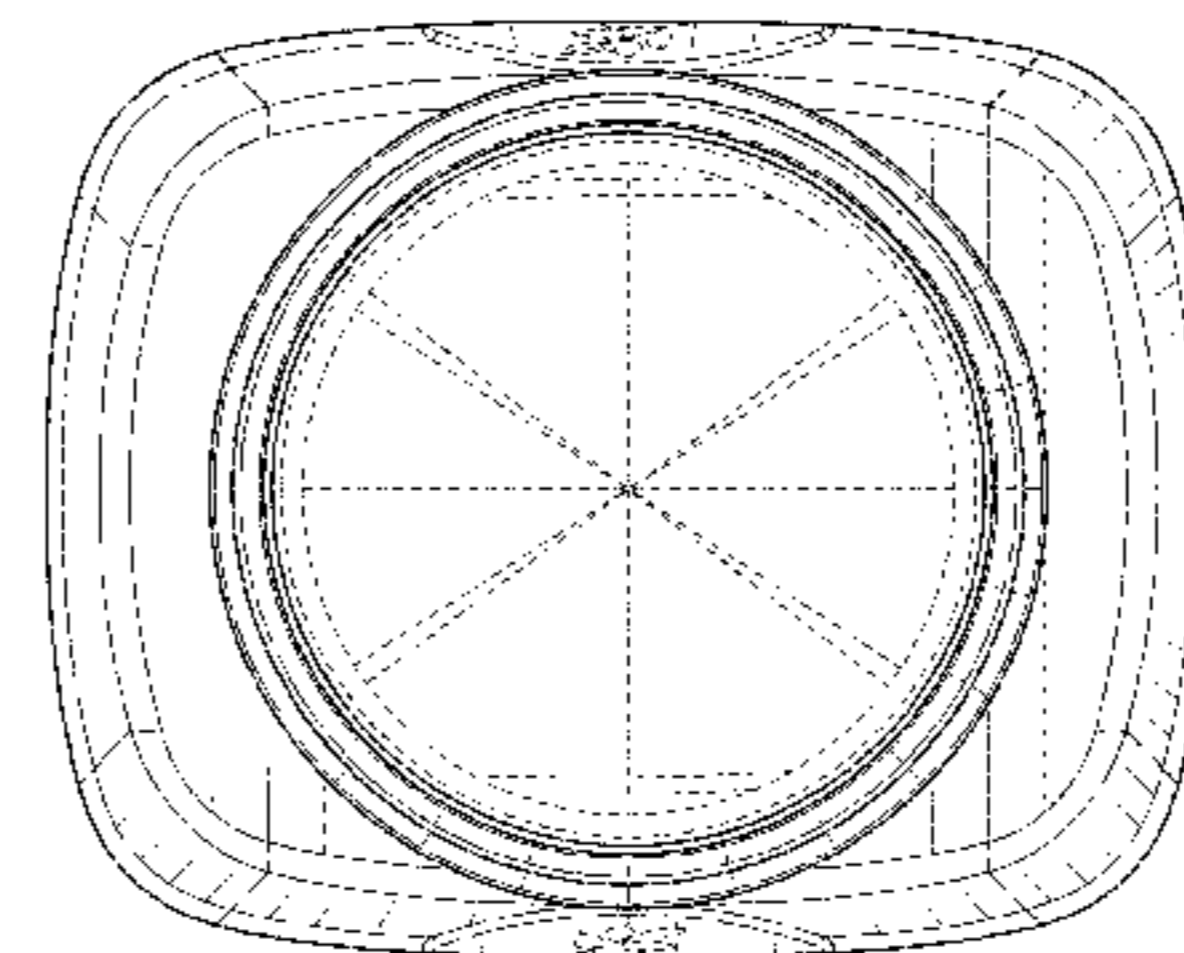
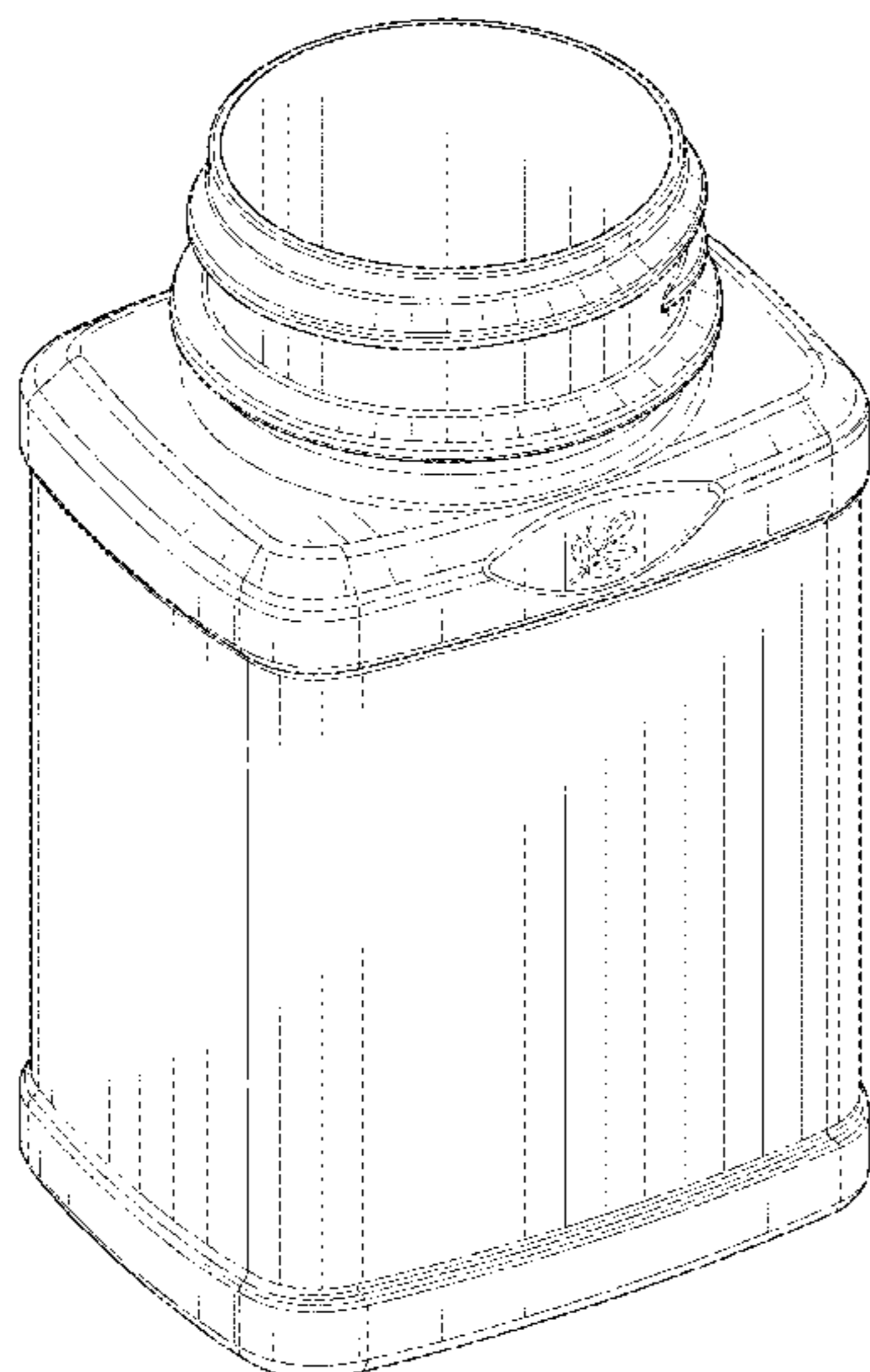
(57) **CLAIM**

The ornamental design for a container, as shown and described.

**DESCRIPTION**

FIG. 1 is a perspective view of the container embodying the new design;  
FIG. 2 is a front view thereof;  
FIG. 3 is a rear view thereof;  
FIG. 4 is a left side view thereof;  
FIG. 5 is a right side view thereof;  
FIG. 6 is a top view thereof; and,  
FIG. 7 is a bottom view thereof.  
FIGS. 1-7 show portions of the container in phantom lines. The broken lines in the drawings showing the container illustrate the portions of the container that form no part of the claimed design.

**1 Claim, 6 Drawing Sheets**



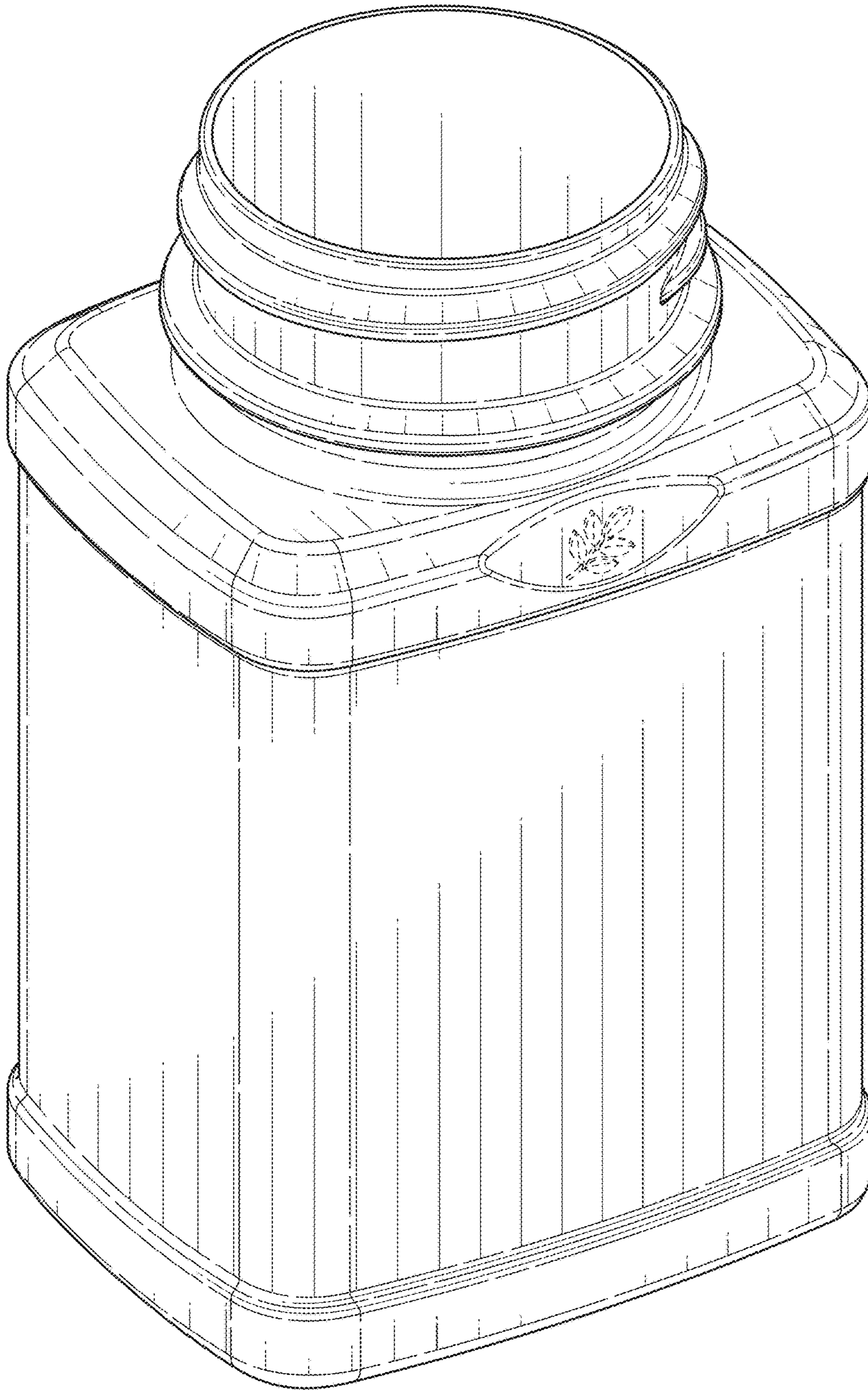


FIG. 1



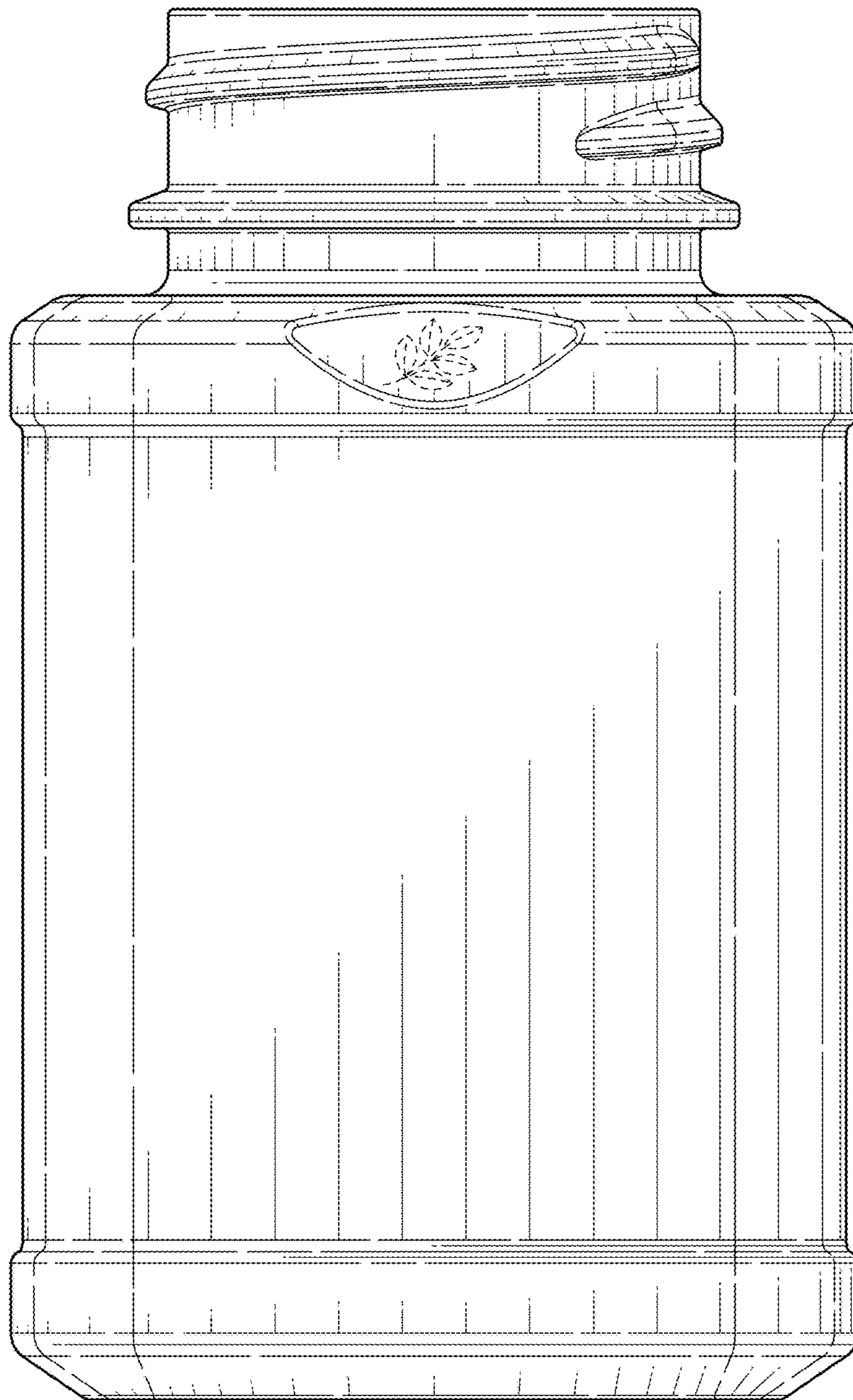


FIG. 2

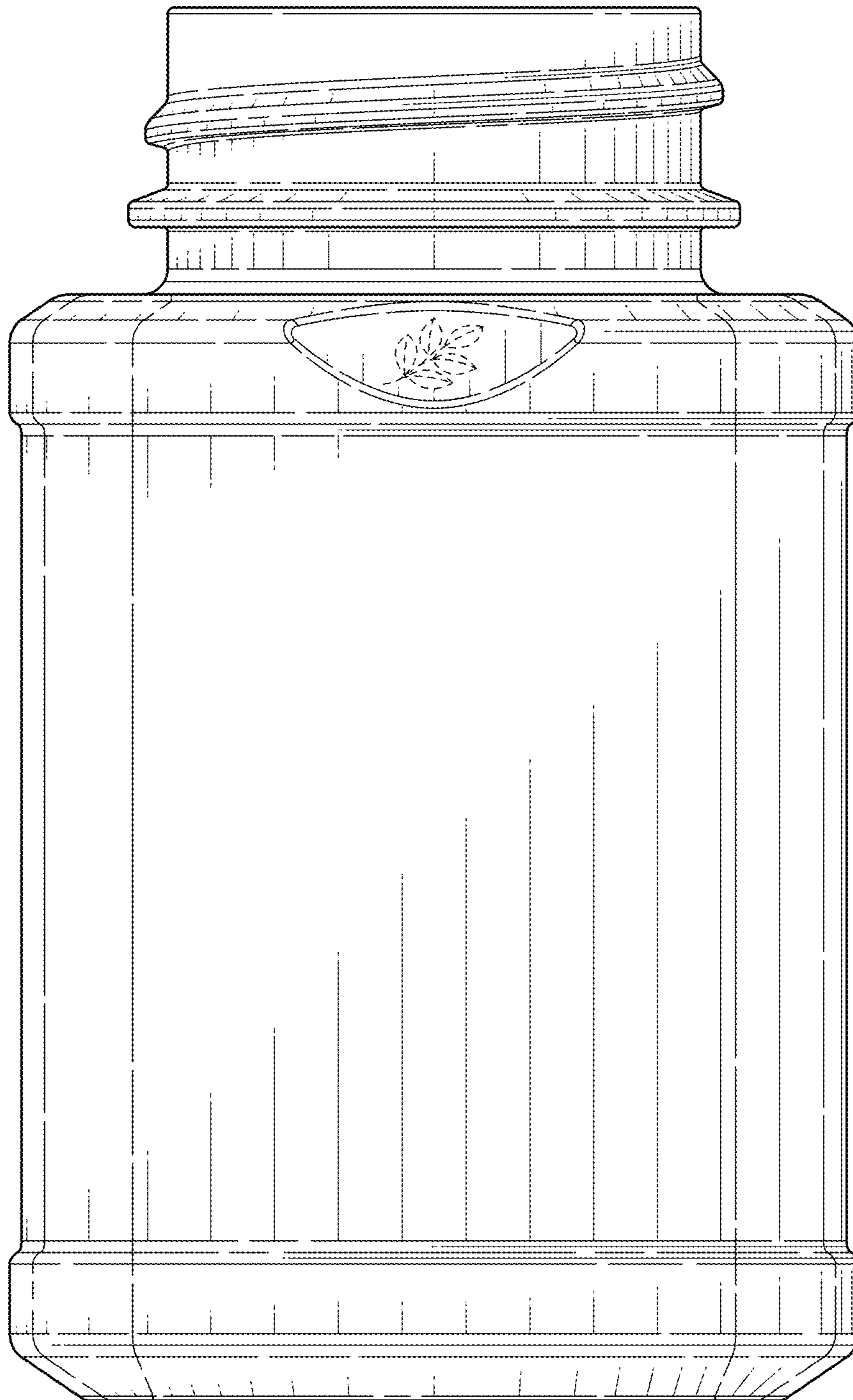


FIG. 3

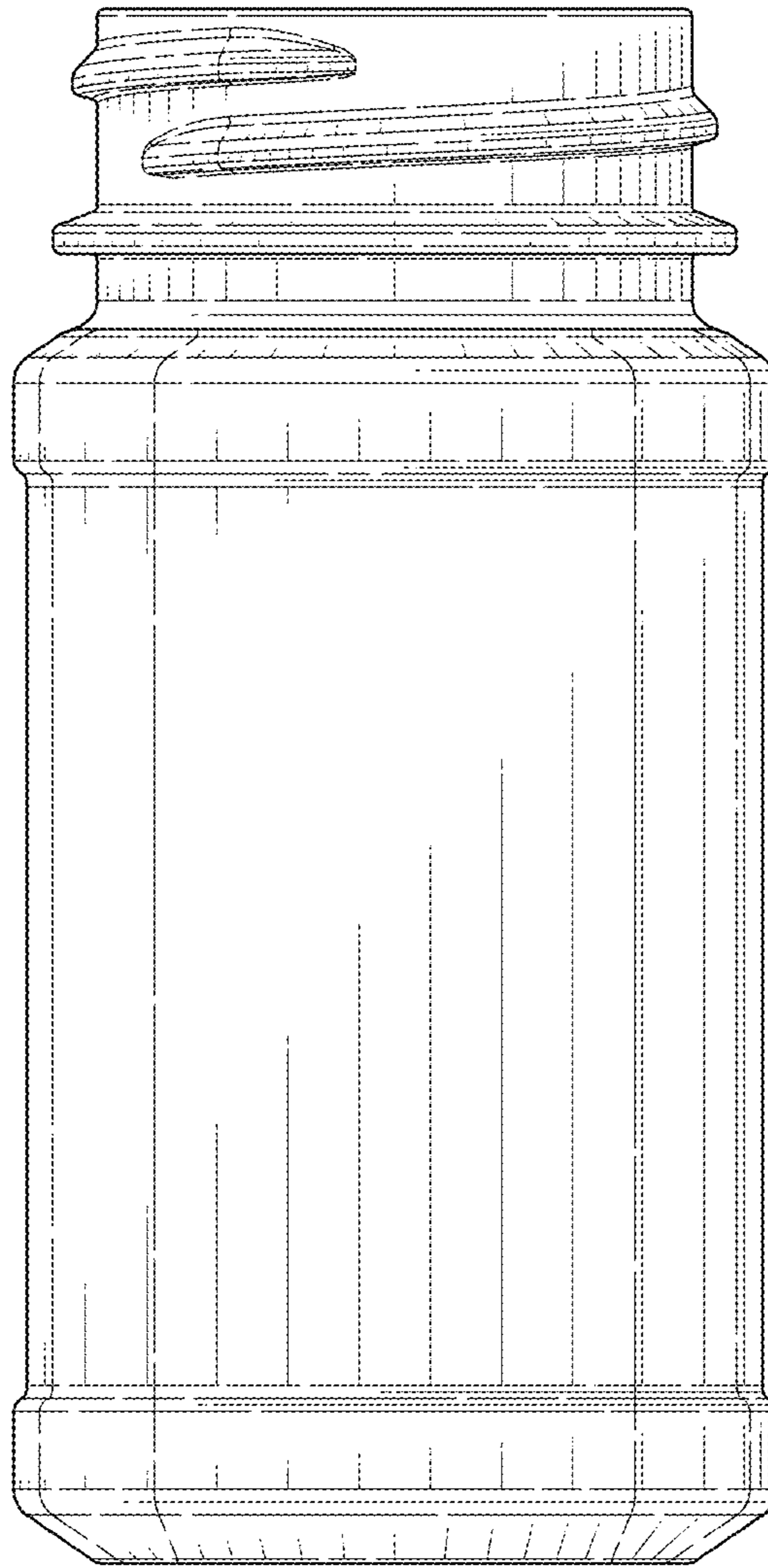


FIG. 4

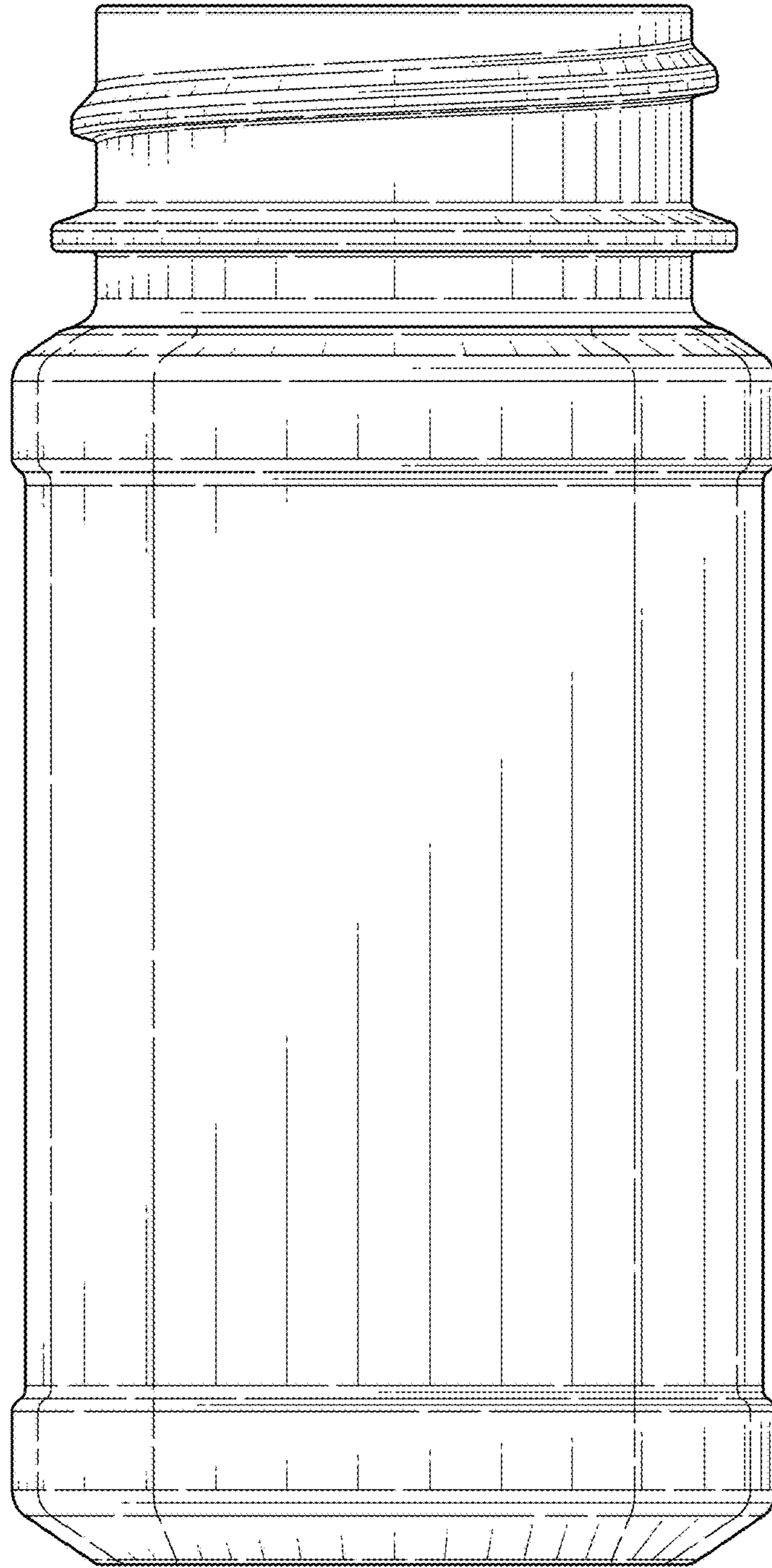


FIG. 5



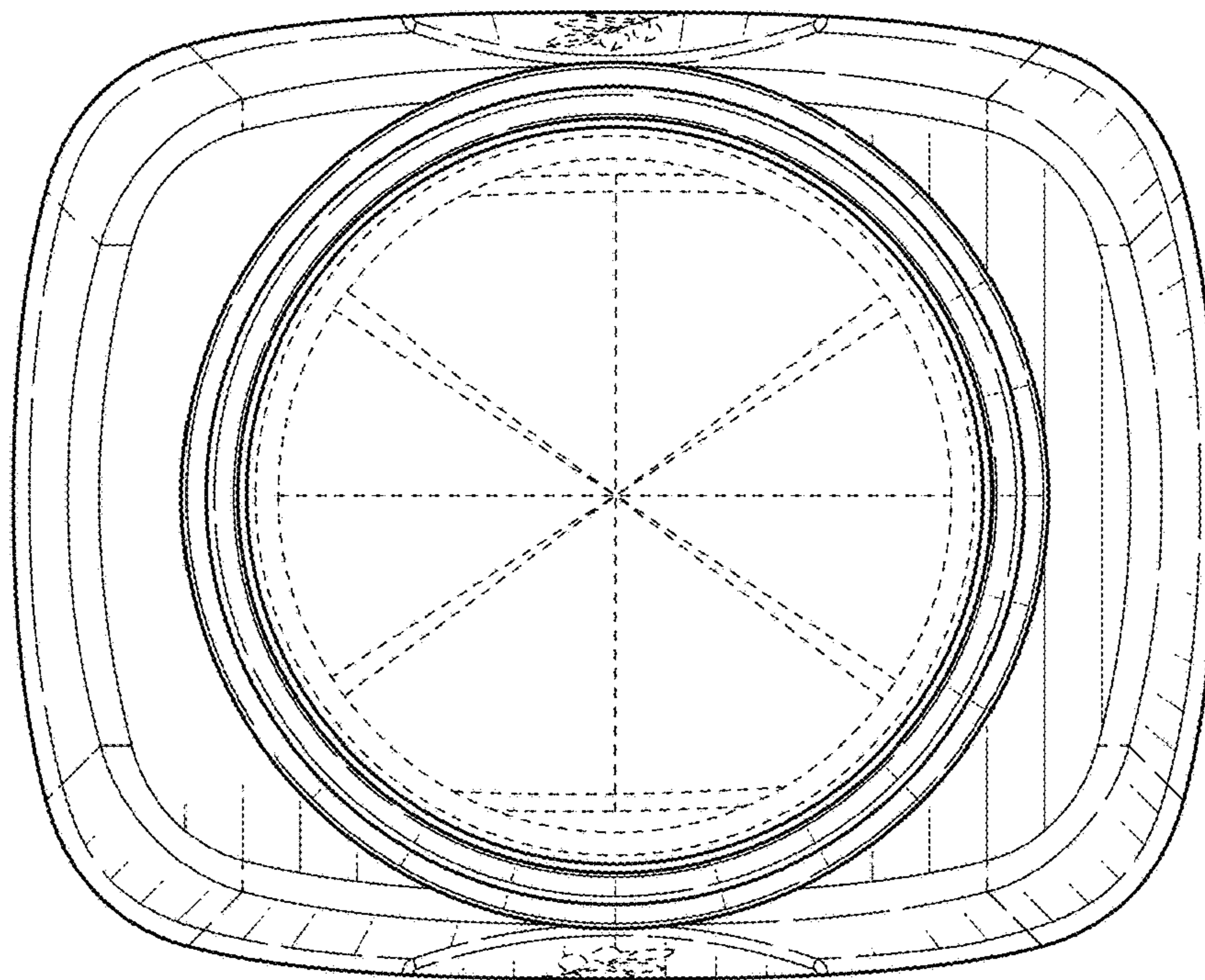


FIG. 6

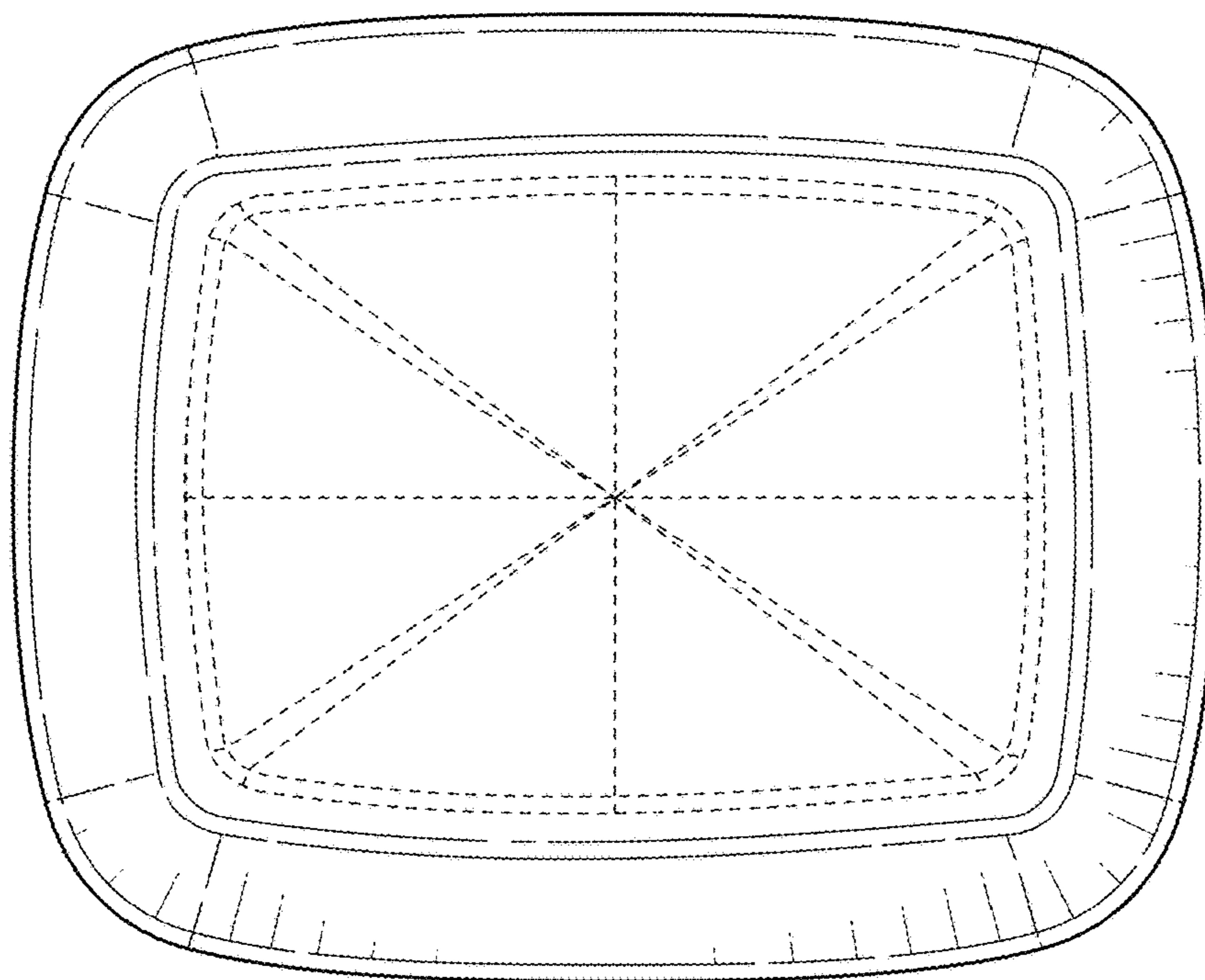


FIG. 7