



US00D848848S

(12) **United States Design Patent** (10) **Patent No.:** **US D848,848 S**
Nelson et al. (45) **Date of Patent:** **** May 21, 2019**

(54) **CONTAINER**

(71) Applicant: **THE J. M. SMUCKER COMPANY,**
Orrville, OH (US)

(72) Inventors: **Zac Nelson,** West Chester, OH (US);
Keven Walter, Cincinnati, OH (US)

(73) Assignee: **THE J. M. SMUCKER COMPANY,**
Orrville, OH (US)

(**) Term: **15 Years**

(21) Appl. No.: **29/636,857**

(22) Filed: **Feb. 12, 2018**

(51) **LOC (11) Cl.** **09-01**

(52) **U.S. Cl.**
USPC **D9/516; D9/538; D9/552; D9/556**

(58) **Field of Classification Search**
USPC D9/500, 502-503, 516, 530, 537-539,
D9/549, 550, 552, 565
CPC B65D 1/00; B65D 1/02; B65D 1/0223;
B65D 23/00; B65D 81/00; B65D
2501/00; B65D 2501/0009
See application file for complete search history.

(56) **References Cited**

U.S. PATENT DOCUMENTS

D195,063 S *	4/1963	Lilling	D9/536
D212,211 S *	9/1968	Bass	D9/500
D218,020 S *	7/1970	Musson	D9/538
D220,030 S *	3/1971	Plummer	D9/500
D348,006 S *	6/1994	Feen	D9/552
D387,671 S *	12/1997	Panella	D9/538
D659,006 S *	5/2012	Wiescinski	D9/542
D666,915 S *	9/2012	Wiescinski	D9/541
D666,916 S *	9/2012	Enciso	D9/541

D667,731 S *	9/2012	Enciso	D9/541
D668,959 S *	10/2012	Brown	D9/541
D671,415 S *	11/2012	Enciso	D9/541
D714,155 S *	9/2014	Tanaka	D9/552
D775,526 S *	1/2017	Tanaka	D9/516
D798,155 S *	9/2017	Dominick	D9/516
D801,183 S *	10/2017	Bergeson	D9/565

* cited by examiner

Primary Examiner — Dana Meyrow

(74) *Attorney, Agent, or Firm* — Michael A. Olshavsky

(57) **CLAIM**

We claim the ornamental design for a container, as shown and described.

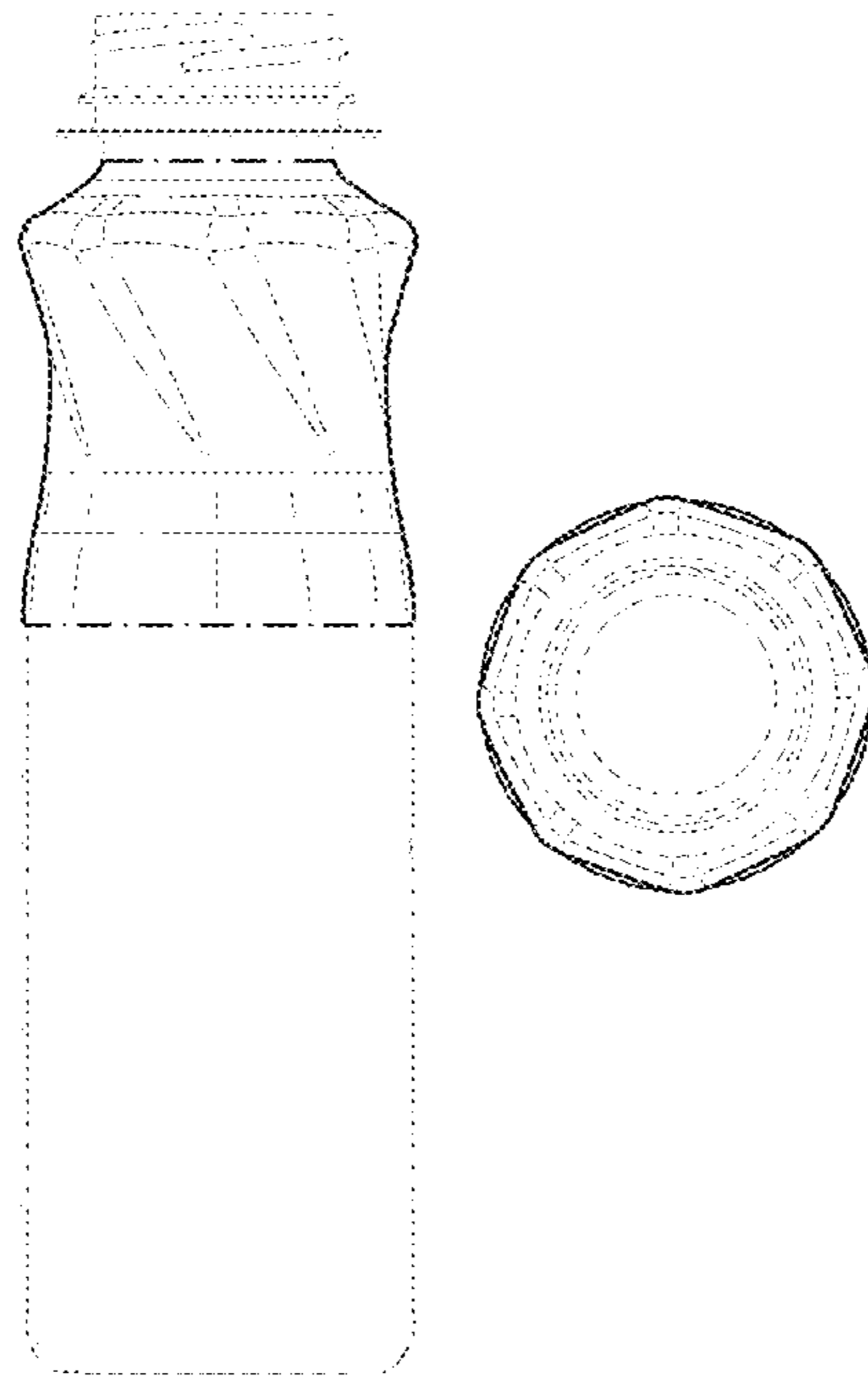
DESCRIPTION

FIG. 1 is a top, front, right side perspective view of a container showing our new design; FIG. 2 is a bottom, rear, left side perspective view thereof; FIG. 3 is a front elevation view thereof; FIG. 4 is a left side elevation view thereof; FIG. 5 is a rear elevation view thereof; FIG. 6 is a right side elevation view thereof; FIG. 7 is a top plan view thereof; and, FIG. 8 is a bottom plan view thereof.

The evenly-dashed broken lines in the drawings illustrate the portions of the container that form no part of the claim. The dot-dash broken lines in the drawings define the bounds of the claim and form no part thereof.

The Appendix consists of FIGS. 1-60, with the central portion and much of the lower portion shown in solid lines, if needed, e.g., in a divisional or a continuation case with fewer broken lines.

1 Claim, 4 Drawing Sheets



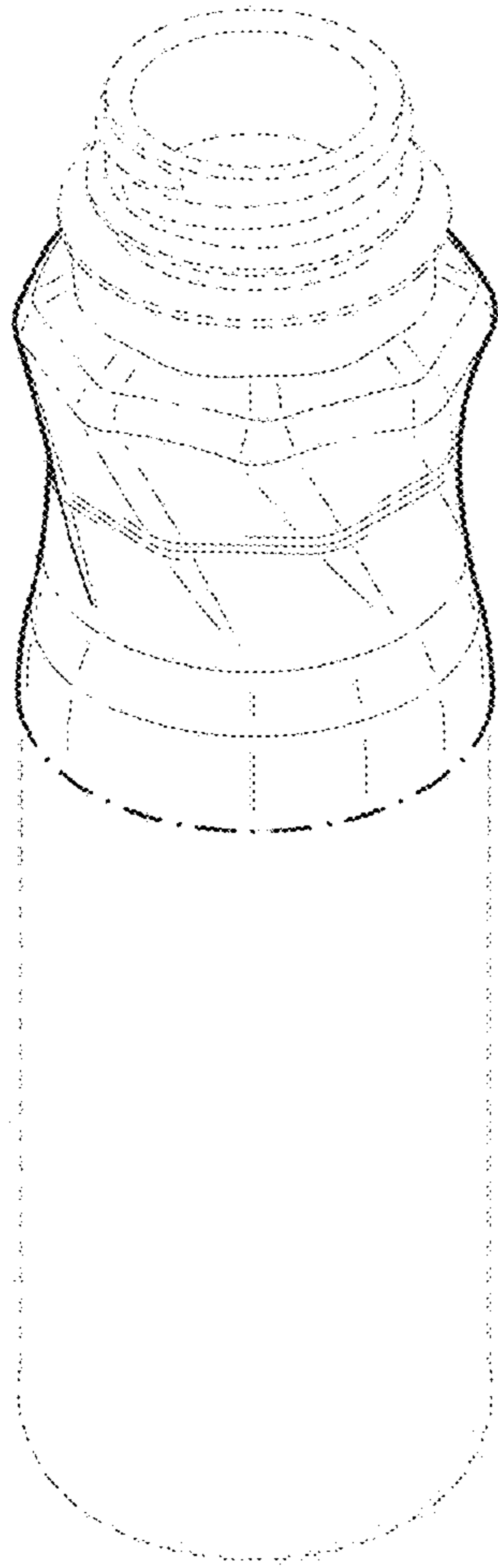


FIG. 1

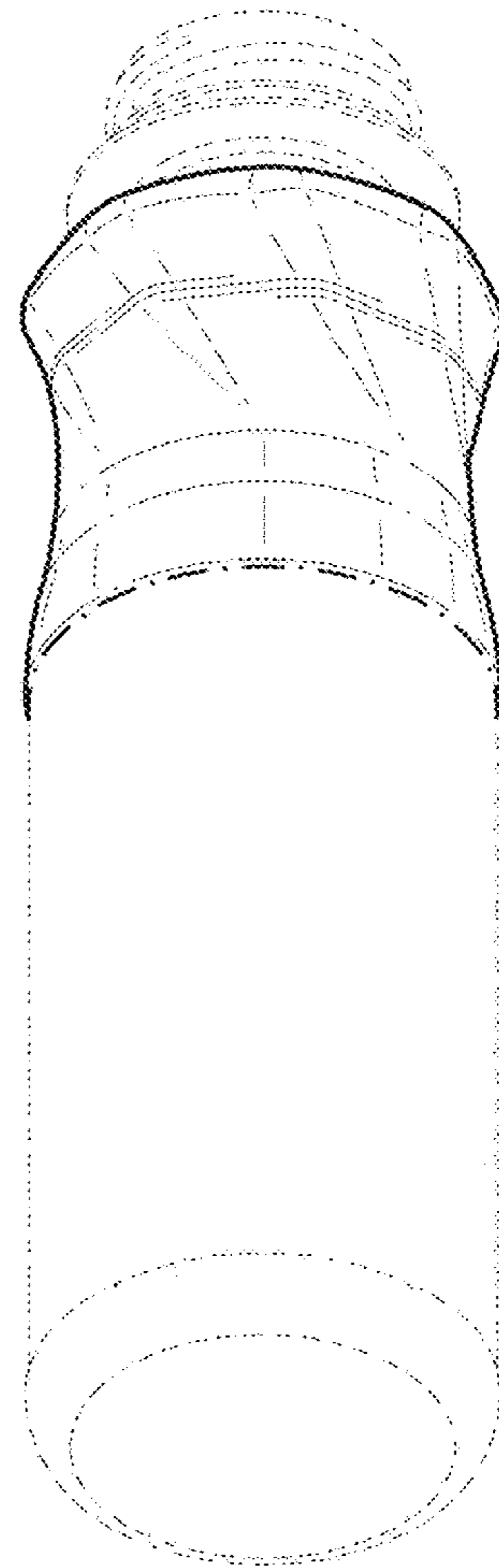


FIG. 2

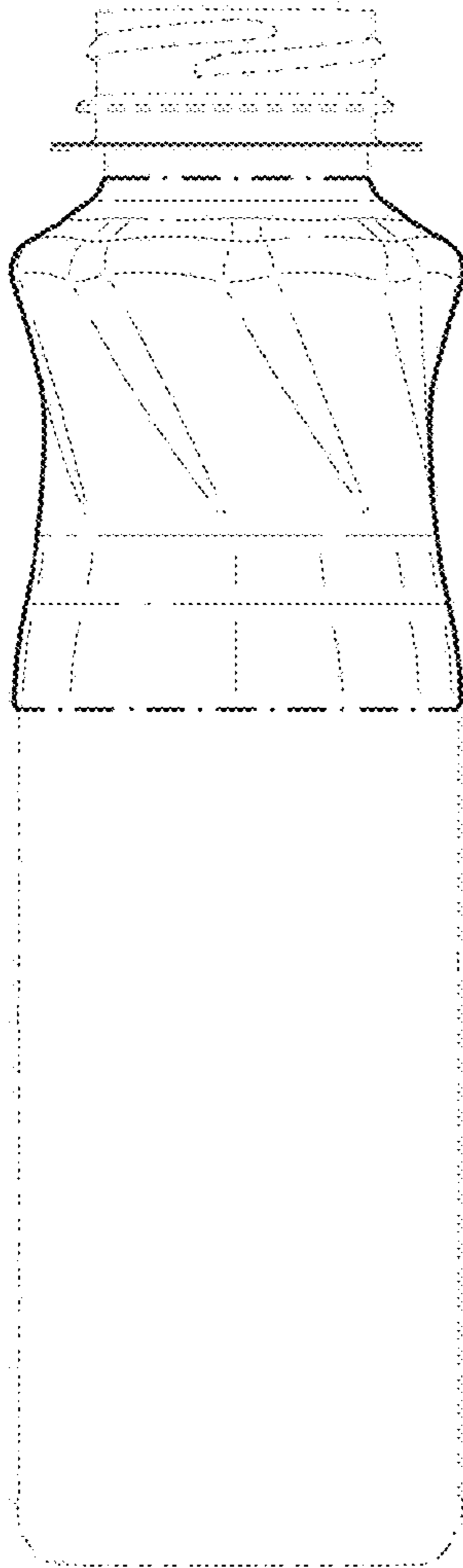


FIG. 3

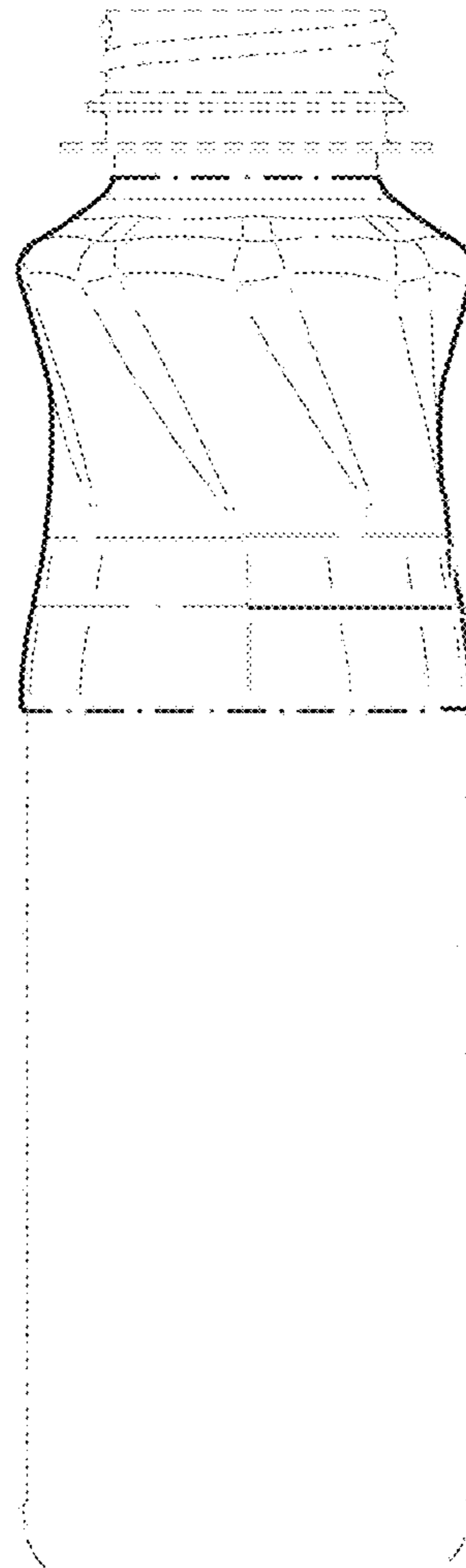


FIG. 4

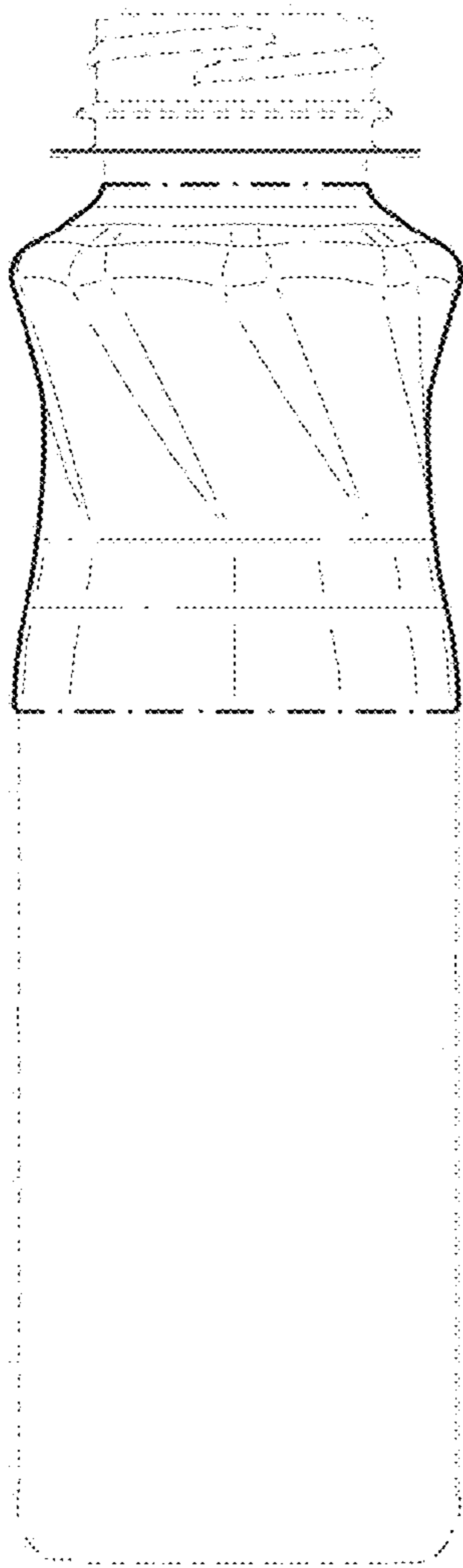


FIG. 5

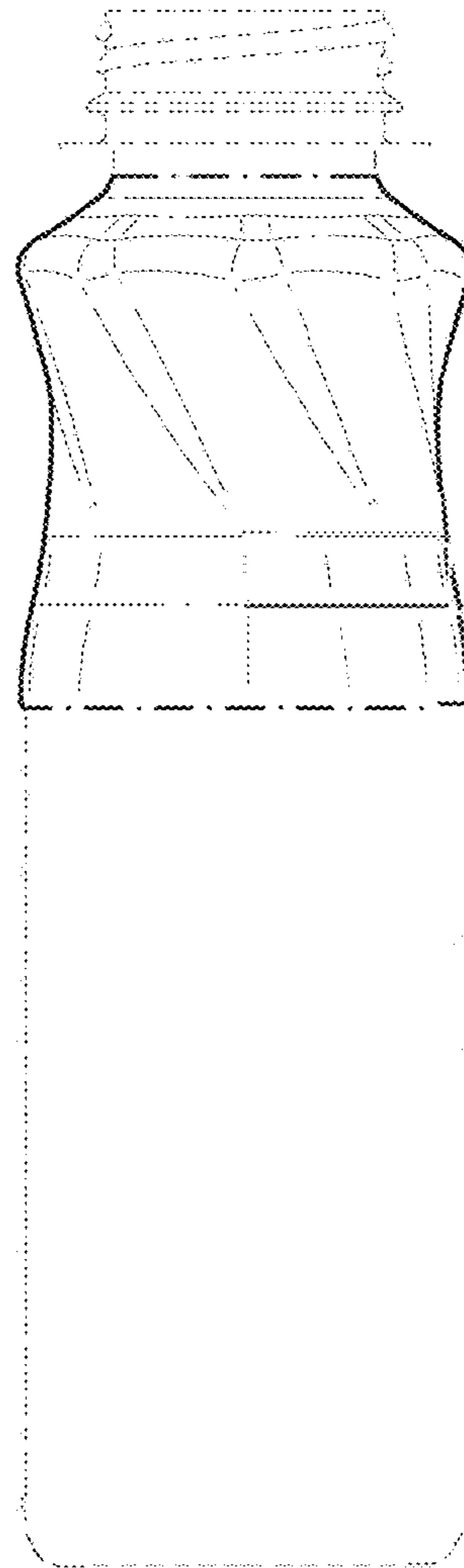


FIG. 6

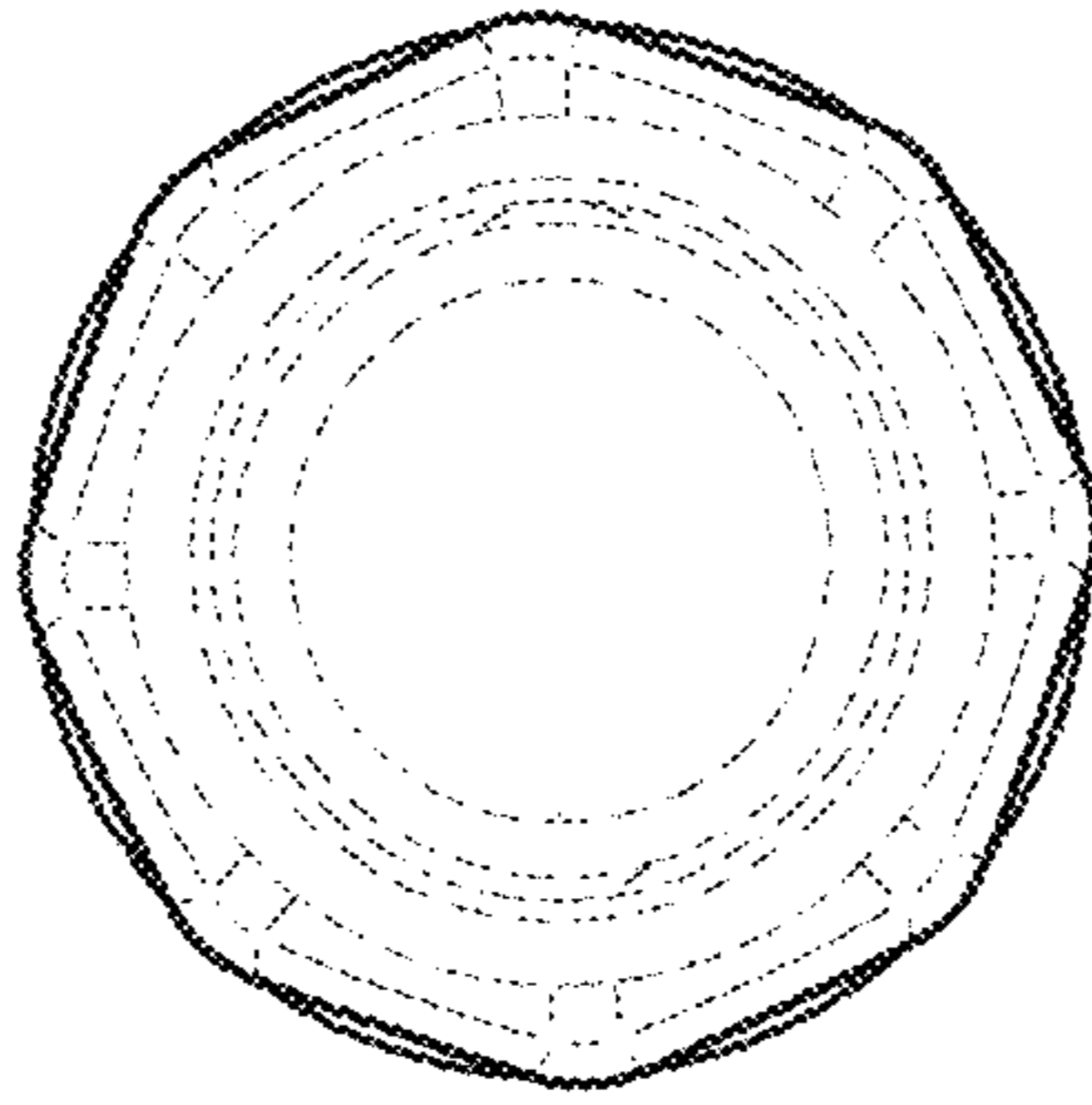


FIG. 7

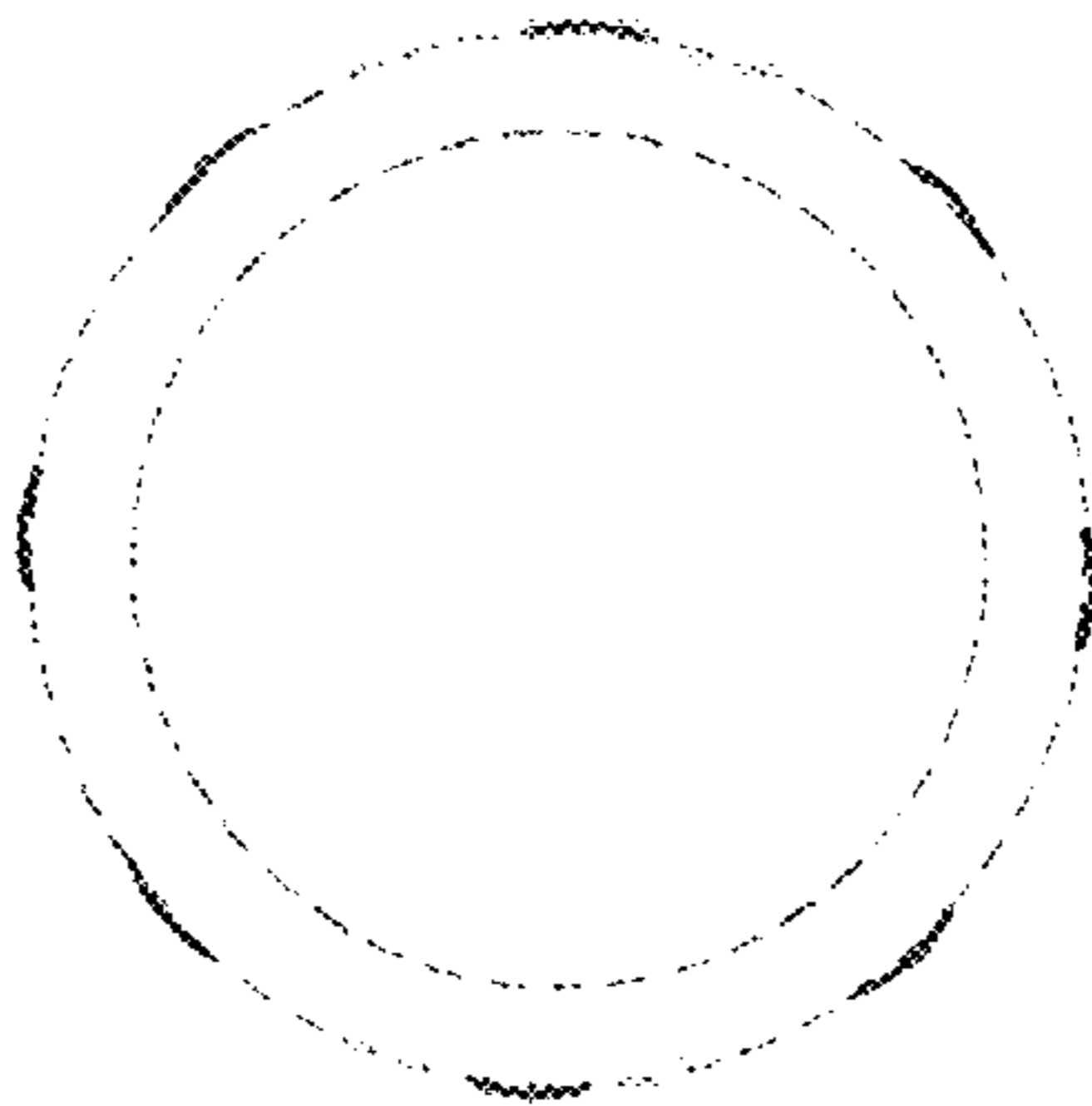


FIG. 8