



US00D848846S

(12) **United States Design Patent** (10) **Patent No.:** **US D848,846 S**  
**Loritz** (45) **Date of Patent:** **\*\* \*May 21, 2019**

- (54) **FLIP-TOP CONTAINER**
- (71) Applicant: **Ken Loritz**, Irvine, CA (US)
- (72) Inventor: **Ken Loritz**, Irvine, CA (US)
- (\*) Notice: This patent is subject to a terminal disclaimer.
- (\*\*) Term: **15 Years**
- (21) Appl. No.: **29/563,141**
- (22) Filed: **May 2, 2016**
- (51) **LOC (11) Cl.** ..... **09-01**
- (52) **U.S. Cl.**  
USPC ..... **D9/500**
- (58) **Field of Classification Search**  
USPC ..... D9/435, 436, 500-505, 516, 529, 539,  
D9/549, 550, 558, 715; D3/203.1-203.5;  
D7/510  
CPC .. B65D 83/0005; B65D 83/005; B65D 83/00;  
B65D 47/18; B65D 1/20; B05C 17/0053  
See application file for complete search history.

D540,169 S *	4/2007	Tanner	.....	D9/420
D618,362 S *	6/2010	Giraud	.....	D24/224
D640,546 S *	6/2011	Berggren	.....	D9/421
D656,041 S *	3/2012	Mikolajewski	.....	D9/500
D671,837 S *	12/2012	Rosenberg	.....	D9/416
D698,266 S *	1/2014	Downs	.....	D9/524
D758,195 S *	6/2016	Braz	.....	D9/504
D768,511 S *	10/2016	Kovacovich	.....	D27/183
2010/0181275 A1 *	7/2010	Gruenwald	.....	B65D 23/12 215/6

\* cited by examiner

*Primary Examiner* — Ian Simmons  
*Assistant Examiner* — Keith Frank  
(74) *Attorney, Agent, or Firm* — Kafantaris Law Offices;  
Theo Kafantaris

(57) **CLAIM**

The ornamental design for a flip-top container, as shown and described.

**DESCRIPTION**

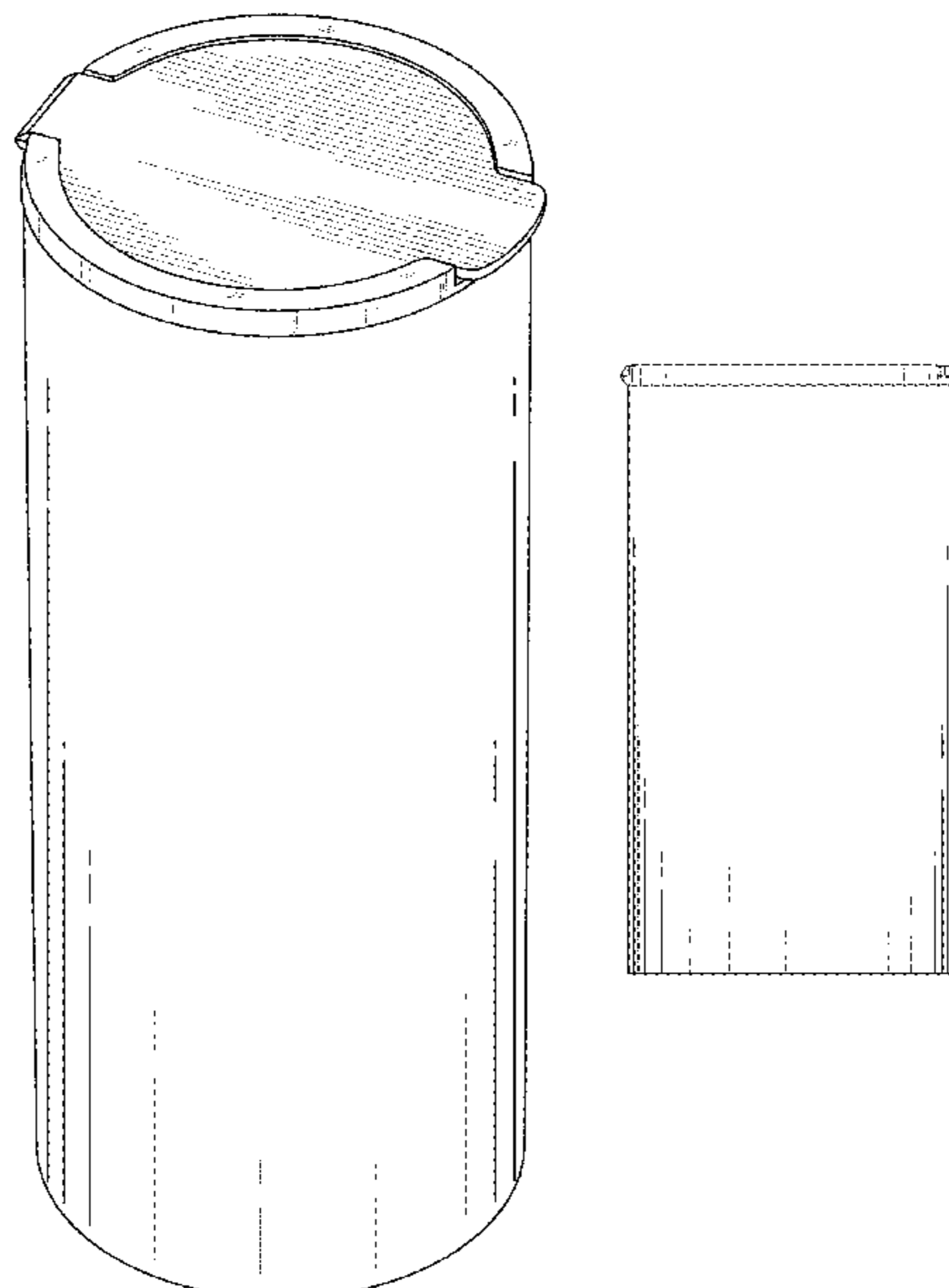
FIG. 1 is a front perspective view of the flip-top container showing my new design;  
FIG. 2 is a front perspective view with cap without the container;  
FIG. 3 is a top plan view thereof;  
FIG. 4 is a bottom plan view thereof;  
FIG. 5 is a side elevational view thereof;  
FIG. 6 is a front elevational view thereof;  
FIG. 7 is a rear elevational view thereof;  
FIG. 8 is a top plan view with cap open;  
FIG. 9 is a bottom plan view thereof;  
FIG. 10 is a side elevational view thereof;  
FIG. 11 is a front elevational view with cap and container;  
FIG. 12 is a rear elevational view thereof; and,  
FIG. 13 is a side elevational view thereof.

**1 Claim, 6 Drawing Sheets**

(56) **References Cited**

U.S. PATENT DOCUMENTS

D270,139 S *	8/1983	Ballereaud	.....	D9/435
4,504,009 A *	3/1985	Boik	.....	B65D 47/0847 215/355
5,085,331 A *	2/1992	Groya	.....	B65D 47/0847 215/235
D353,328 S *	12/1994	Nuffer	.....	D9/445
D355,121 S *	2/1995	Kohl	.....	D9/447
D441,144 S *	4/2001	Vanoncini	.....	D28/82
D464,886 S *	10/2002	Bried	.....	D9/504
D466,809 S *	12/2002	Sagel	.....	D9/428
D486,399 S *	2/2004	Bakic	.....	D9/500
D530,370 S *	10/2006	Siegel	.....	D19/104
D536,251 S *	2/2007	Richards	.....	D9/438



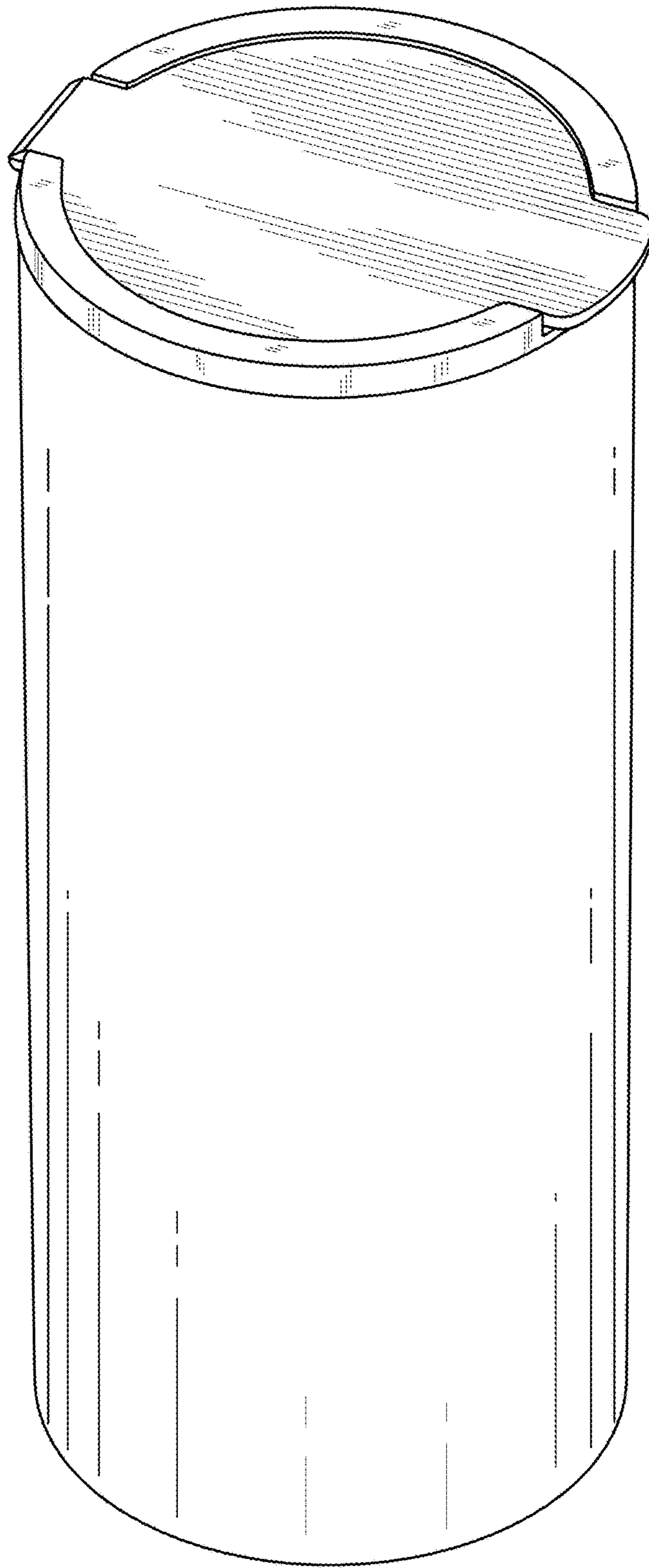


FIG. 1

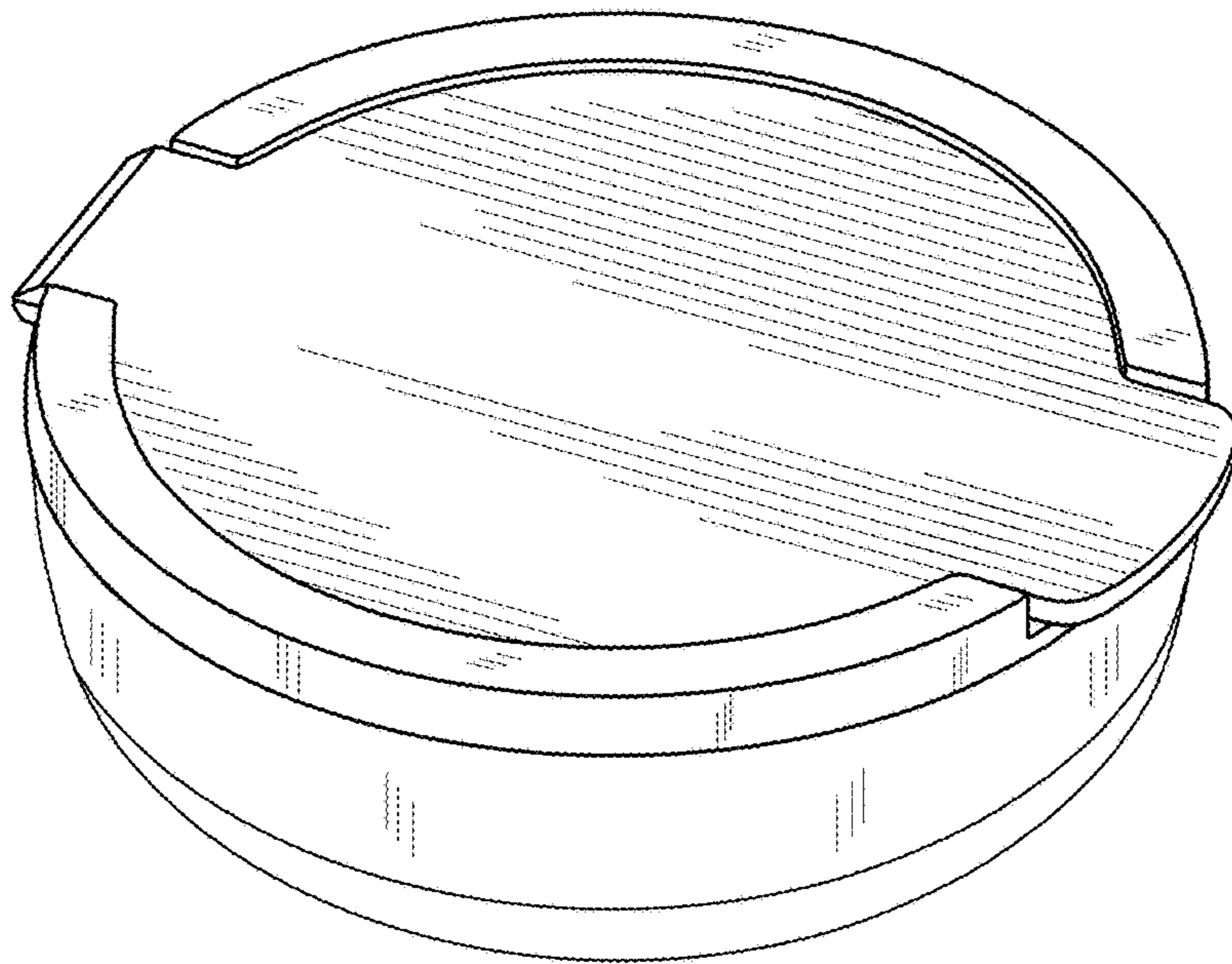


FIG. 2

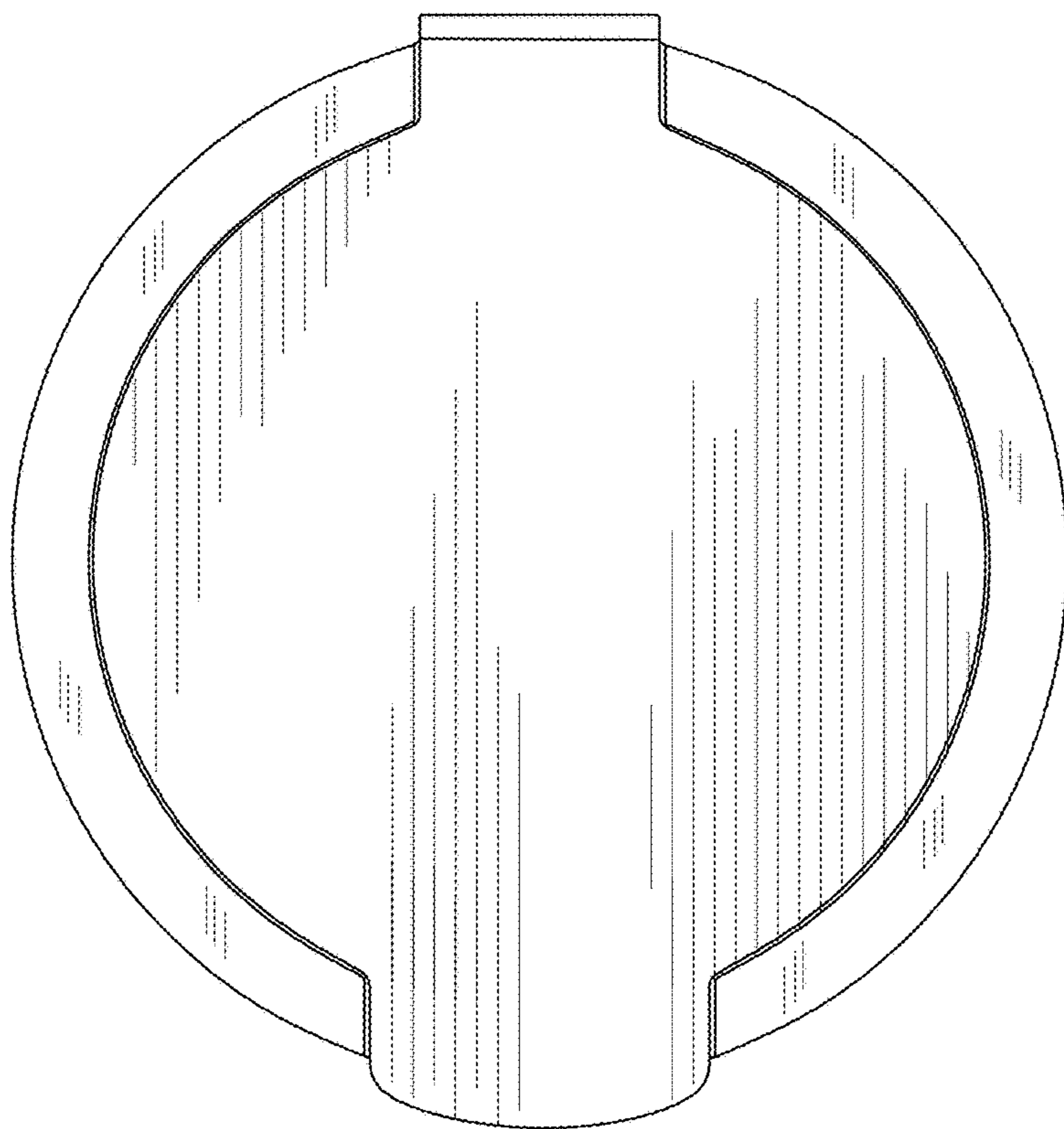


FIG. 3

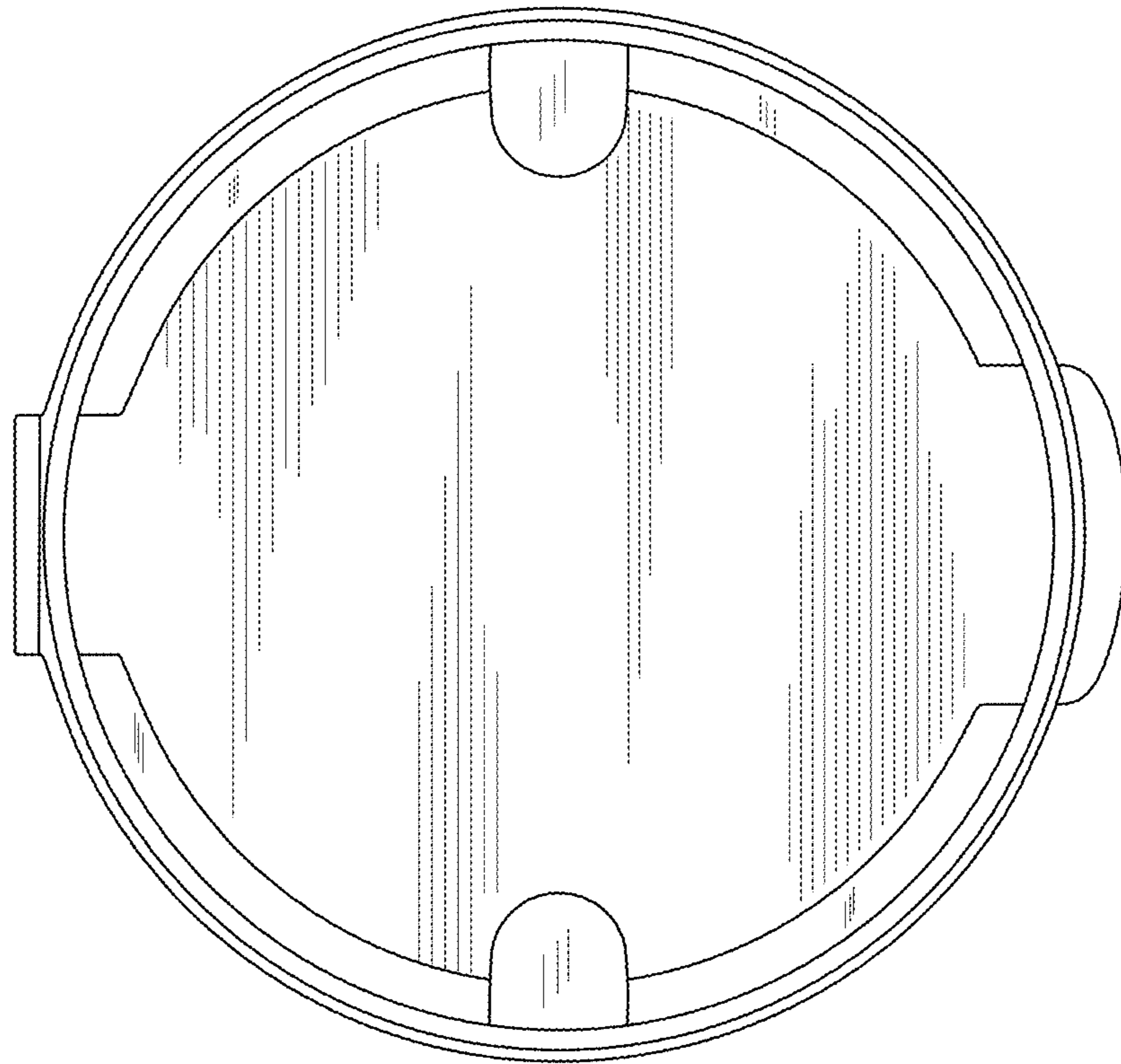


FIG. 4

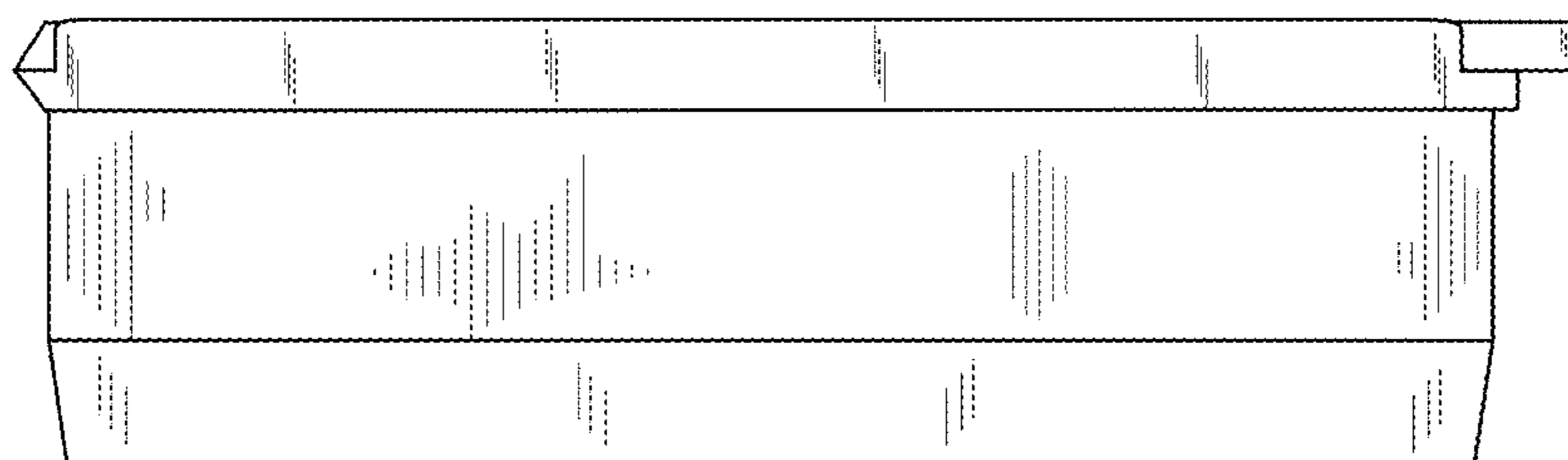


FIG. 5

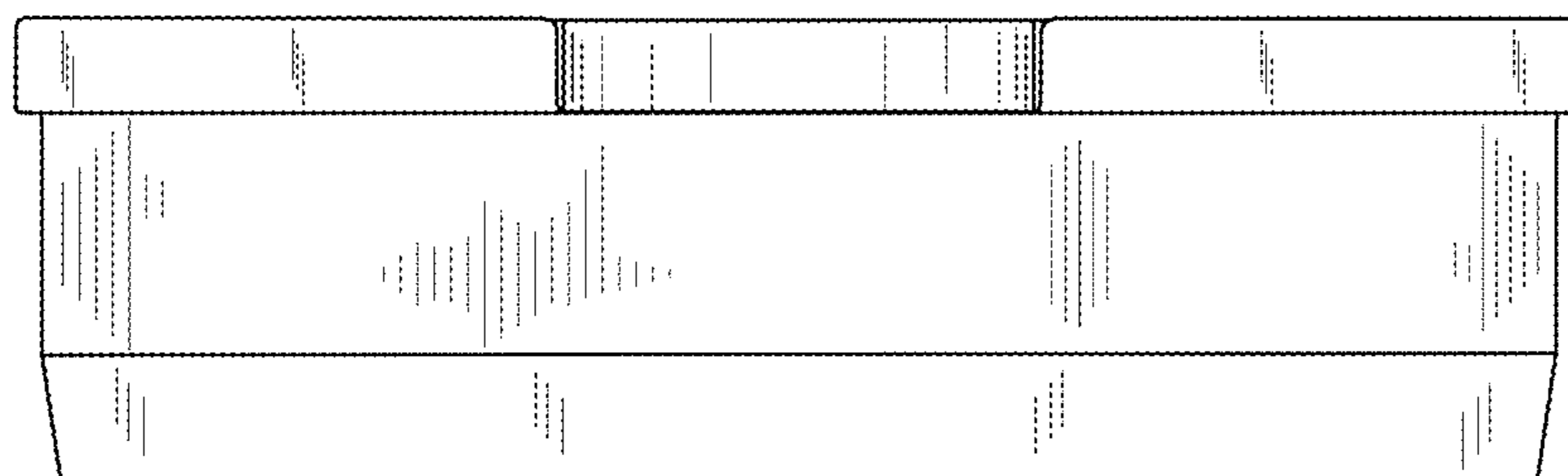


FIG. 6

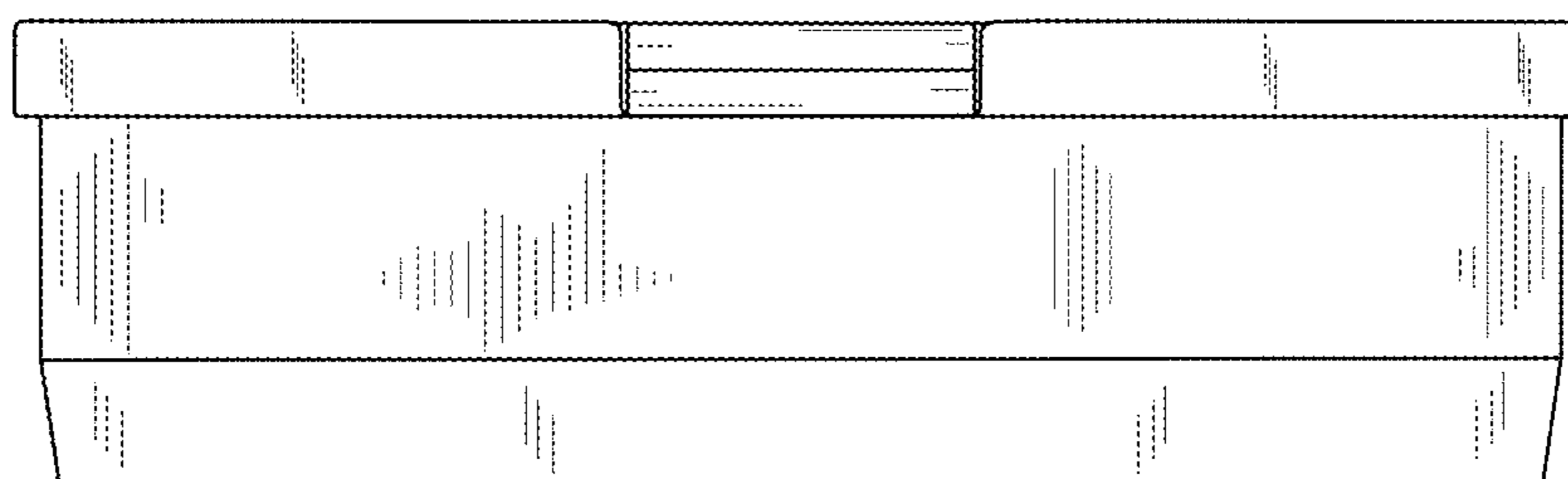


FIG. 7

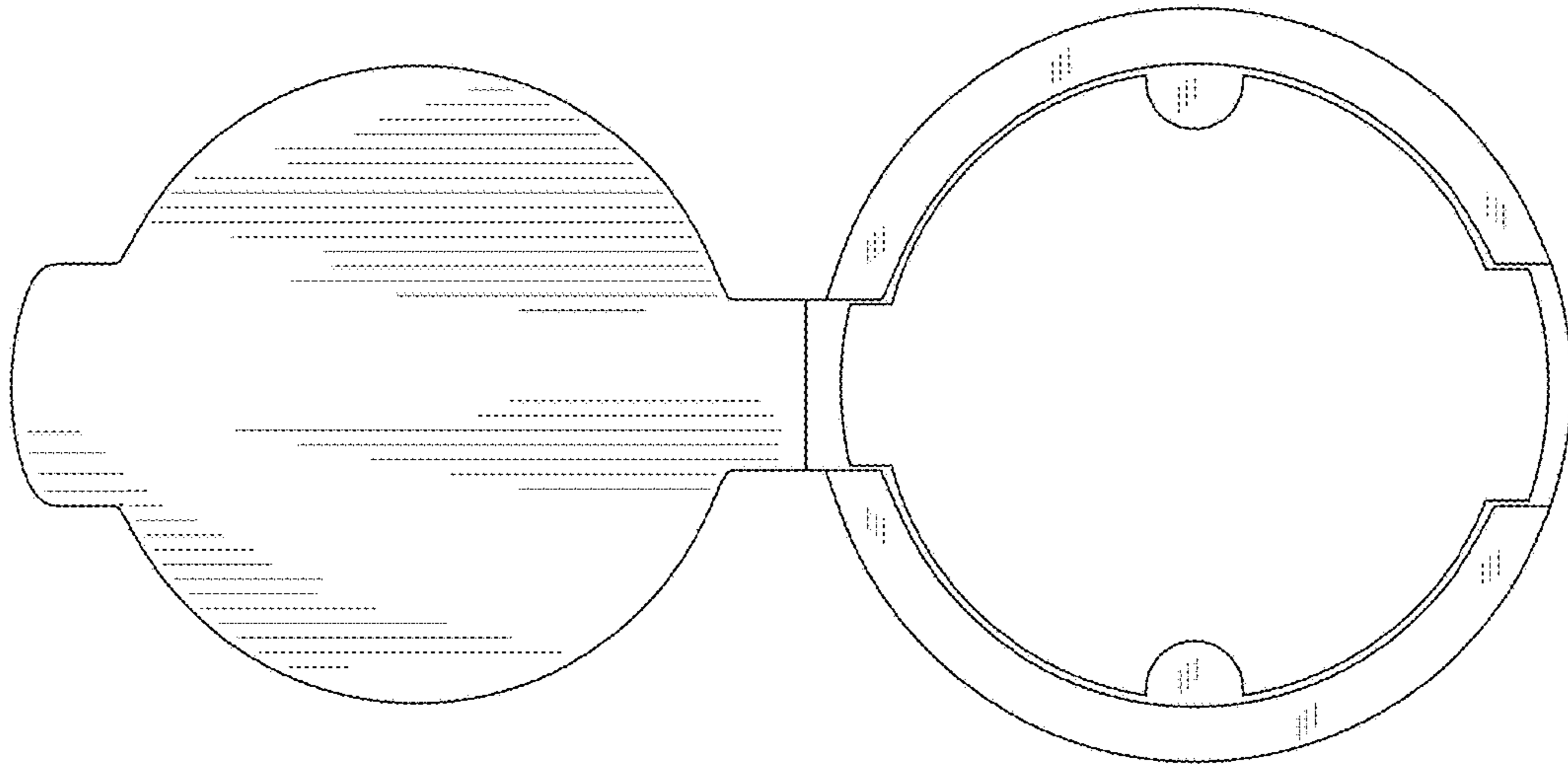


FIG. 8

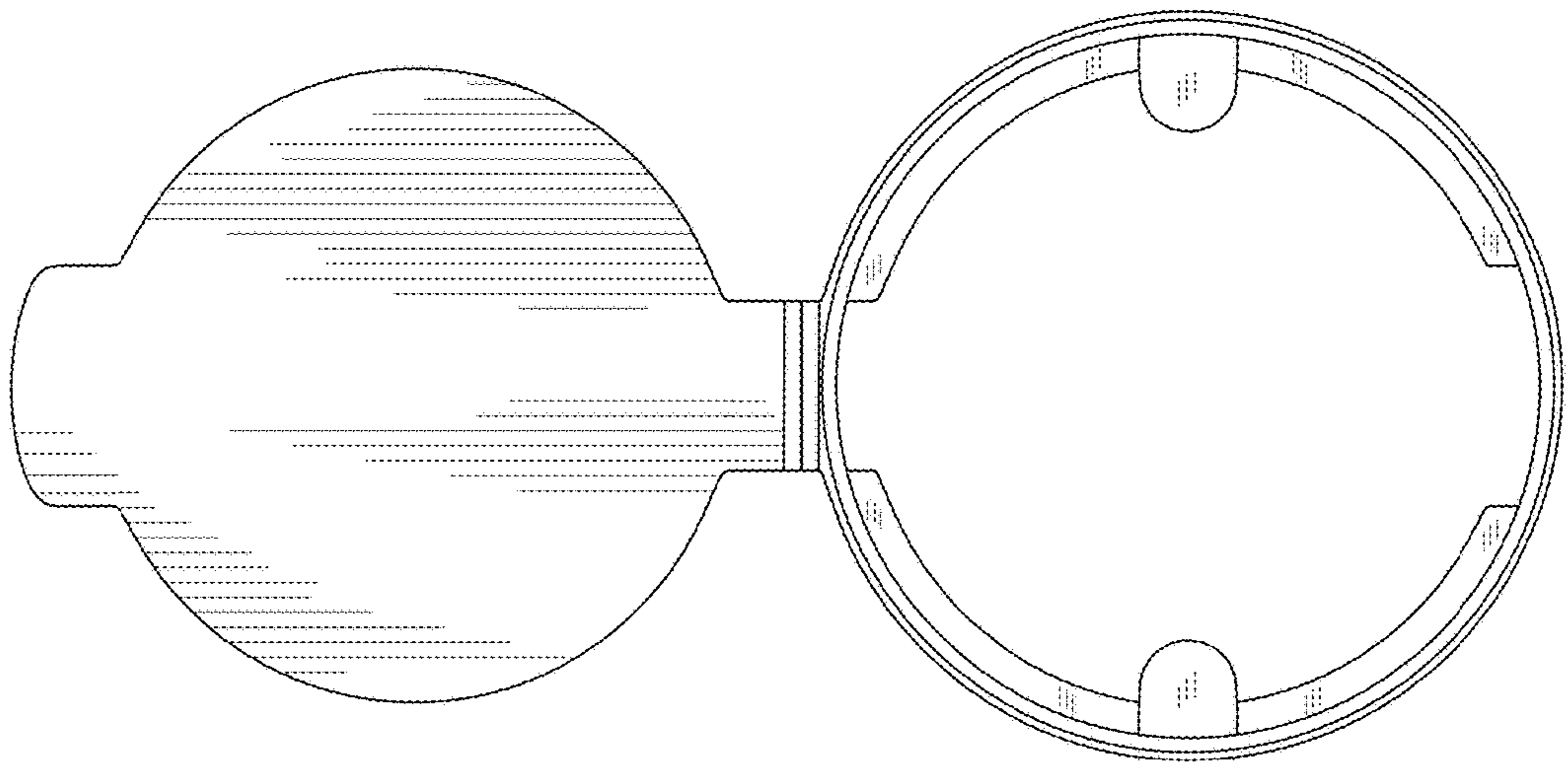


FIG. 9

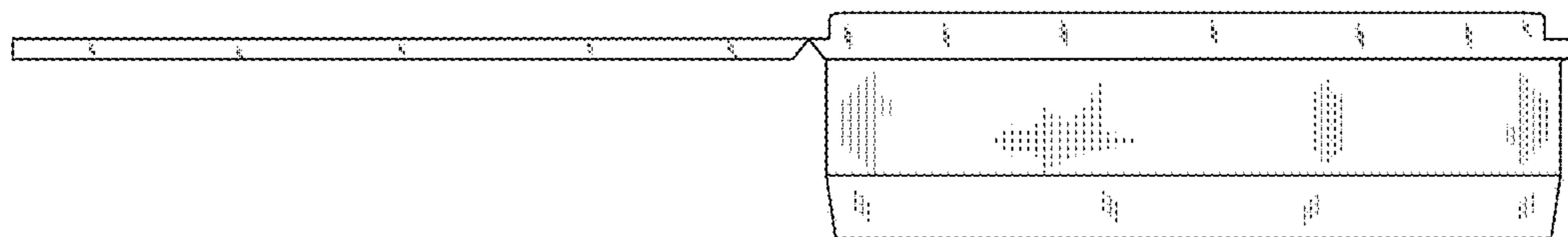


FIG. 10

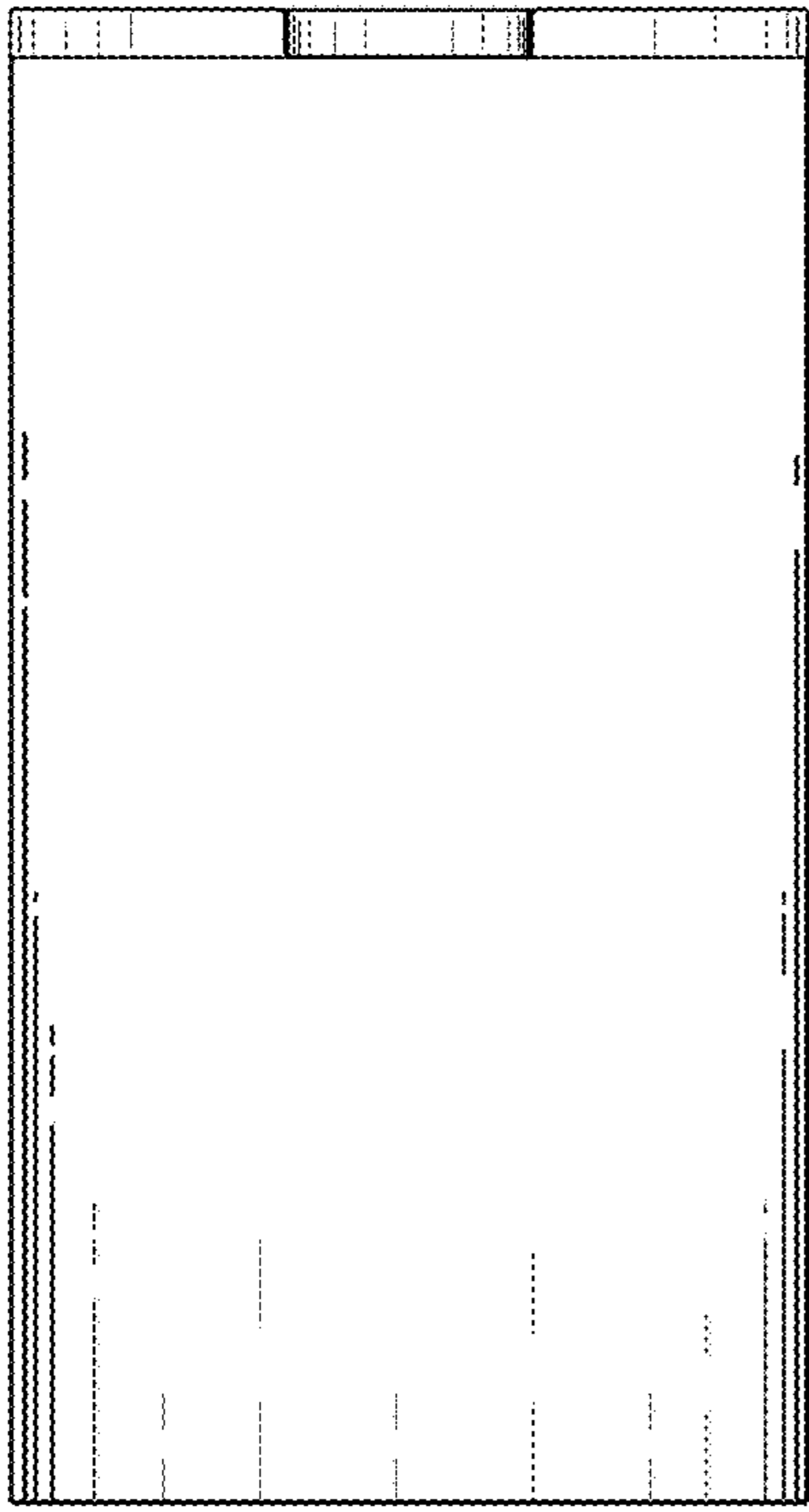


FIG. 11

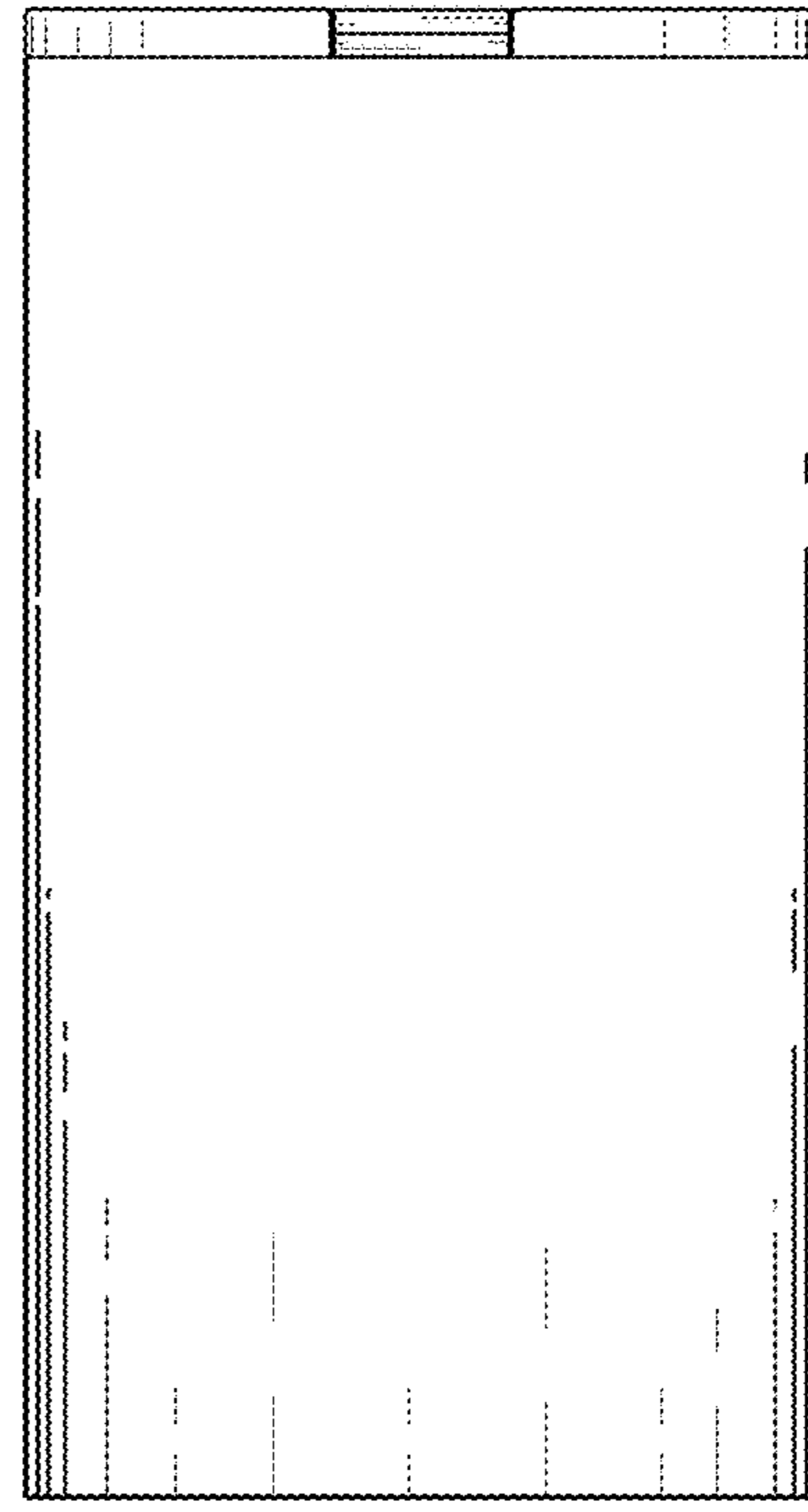


FIG. 12

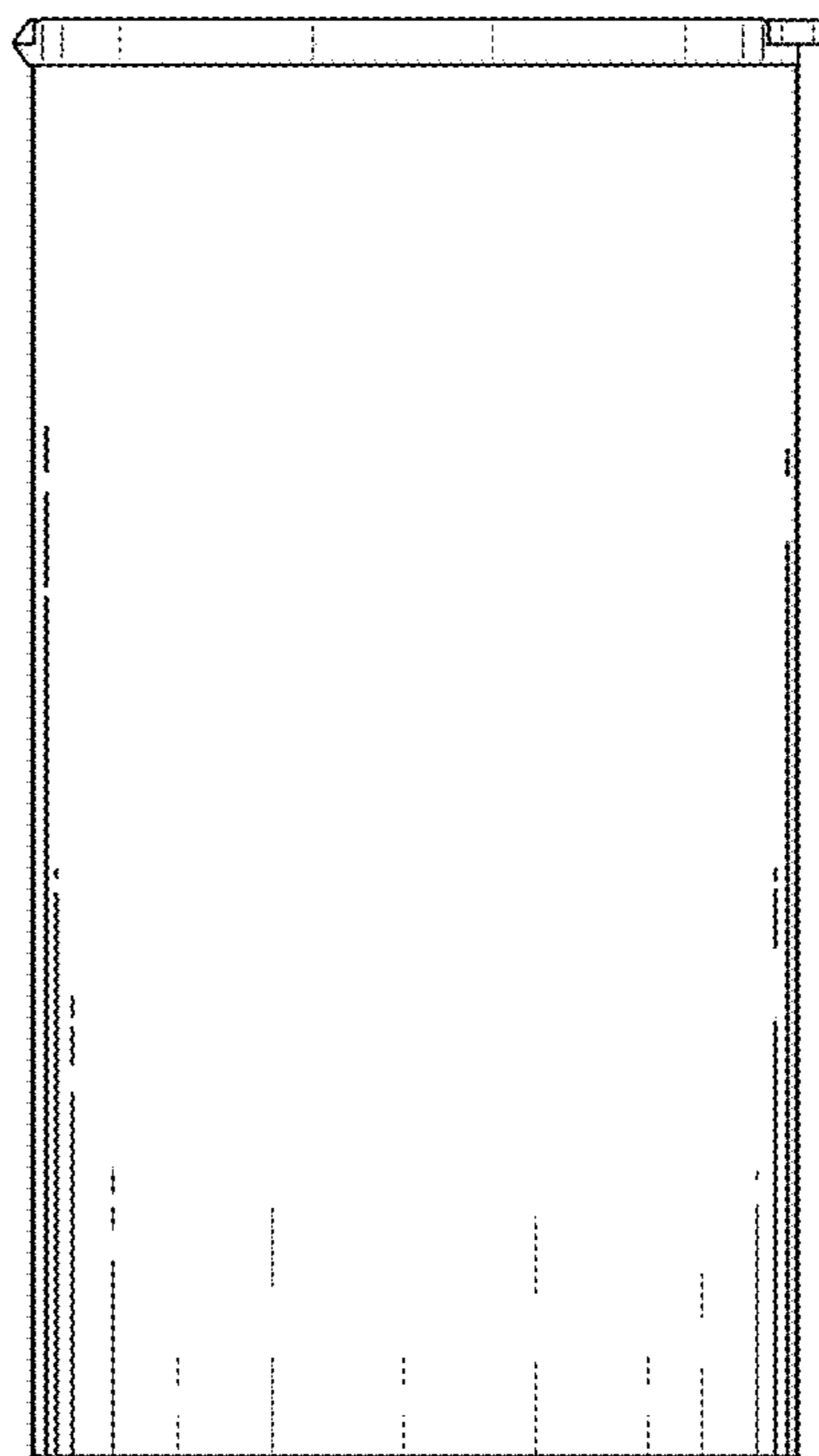


FIG. 13