



US00D848845S

(12) **United States Design Patent** (10) **Patent No.:** **US D848,845 S**  
**Dacey et al.** (45) **Date of Patent:** **\*\* May 21, 2019**

(54) **PACKAGING TRAY FOR A MEDICAL DEVICE**

(71) Applicant: **Ethicon LLC**, Guaynabo, PR (US)

(72) Inventors: **Denise Dacey**, Glen Gardner, NJ (US);  
**Jesse Winker**, Beloit, WI (US)

(73) Assignee: **Ethicon, Inc.**, Somerville, NJ (US)

(\*\*) Term: **15 Years**

(21) Appl. No.: **29/641,624**

(22) Filed: **Mar. 23, 2018**

(51) **LOC (11) Cl.** ..... **09-07**

(52) **U.S. Cl.**  
USPC ..... **D9/456**; D24/229

(58) **Field of Classification Search**  
USPC ..... D9/414, 416, 425, 434, 435, 436, 438,  
D9/439, 440, 442, 443, 446-450,  
D9/452-457, 499, 503-505, 682, 685,  
D9/686; D7/387, 391, 392, 392.1, 393,  
D7/394, 396.1-396.4, 401.1, 503-505,  
D7/509-511, 538, 900; D3/201, 202,  
D3/203.2, 318; D28/91, 91.1; D24/227,  
D24/229

CPC .. A61J 1/00; A61J 1/1412; B65D 1/00; B65D  
1/02; B65D 1/10; B65D 1/46; B65D  
2585/56; B65D 2585/545; B65D 41/00;  
B65D 41/38; B65D 41/56; B65D 41/62;  
B65D 47/00; B65D 47/06; B65D 47/08;  
B65D 2543/00046; B65D 2543/00092;  
B65D 2543/00296; B65D 5/46; B65D  
2251/00

See application file for complete search history.

(56) **References Cited**

**U.S. PATENT DOCUMENTS**

D199,379 S \* 10/1964 Taterka ..... D24/229  
D202,013 S \* 8/1965 Hamilton ..... D19/75

D209,642 S \* 12/1967 Goldberg ..... D24/227  
D235,737 S \* 7/1975 Paone et al. .... D9/456  
D240,199 S \* 6/1976 Perfect ..... D9/456  
D247,739 S \* 4/1978 Paone ..... D9/737  
5,284,244 A \* 2/1994 O'Toole ..... B65D 25/10  
206/363  
5,392,918 A \* 2/1995 Harrison ..... A61M 25/002  
206/364  
D380,272 S \* 6/1997 Partika ..... D24/227  
D442,697 S \* 5/2001 Hajianpour ..... D24/229  
D450,391 S \* 11/2001 Hunt ..... D24/227  
D471,640 S \* 3/2003 McMichael ..... D24/227  
D471,641 S \* 3/2003 McMichael ..... D24/227  
D480,816 S \* 10/2003 McMichael ..... D24/227  
D689,772 S \* 9/2013 Jones ..... D9/456

(Continued)

*Primary Examiner* — Michael A. Pratt  
*Assistant Examiner* — Wendy L Arminio  
(74) *Attorney, Agent, or Firm* — David R. Crichton

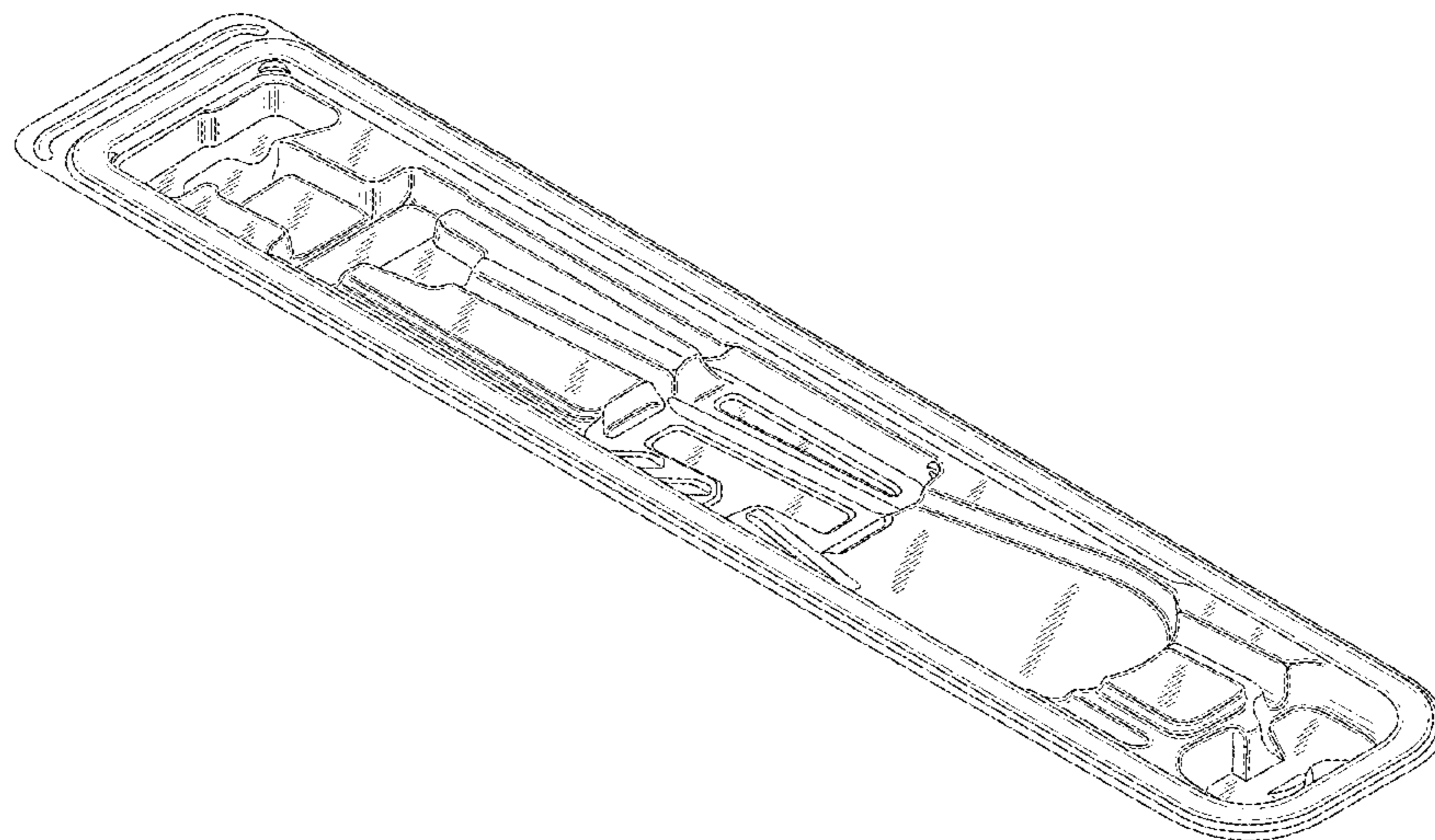
(57) **CLAIM**

The ornamental design for a packaging tray for a medical device, as shown and described.

**DESCRIPTION**

FIG. 1 is a perspective view of a packaging tray for a medical device, showing our new design;  
FIG. 2 is a top view of the packaging tray for a medical device shown in FIG. 1;  
FIG. 3 is a side elevation view of the packaging tray for a medical device shown in FIG. 1;  
FIG. 4 is a bottom view of the packaging tray for a medical device shown in FIG. 1;  
FIG. 5 is a side elevation view of the packaging tray for a medical device shown in FIG. 1;  
FIG. 6 is a front view of the packaging tray for a medical device shown in FIG. 1; and,  
FIG. 7 is a rear view of the packaging tray for a medical device shown in FIG. 1.

**1 Claim, 4 Drawing Sheets**



(56)

**References Cited**

U.S. PATENT DOCUMENTS

8,584,849 B2 \* 11/2013 McCaffrey ..... A61M 25/002  
206/364  
D748,498 S \* 2/2016 Pipes ..... D9/424  
D751,726 S \* 3/2016 Nishioka ..... D24/229  
D782,064 S \* 3/2017 Shanafelter ..... D24/227  
D811,616 S \* 2/2018 Shanafelter ..... D24/227  
D816,501 S \* 5/2018 Oldham ..... D9/456  
10,064,694 B2 \* 9/2018 Connolly ..... A61B 50/33  
2007/0131698 A1 \* 6/2007 Antal, Sr. .... A47J 37/01  
220/681  
2015/0122681 A1 \* 5/2015 Dacey ..... A61B 50/10  
206/363  
2017/0290634 A1 \* 10/2017 Dacey ..... A61B 50/33  
2018/0071043 A1 \* 3/2018 Dacey ..... A61B 50/30

\* cited by examiner

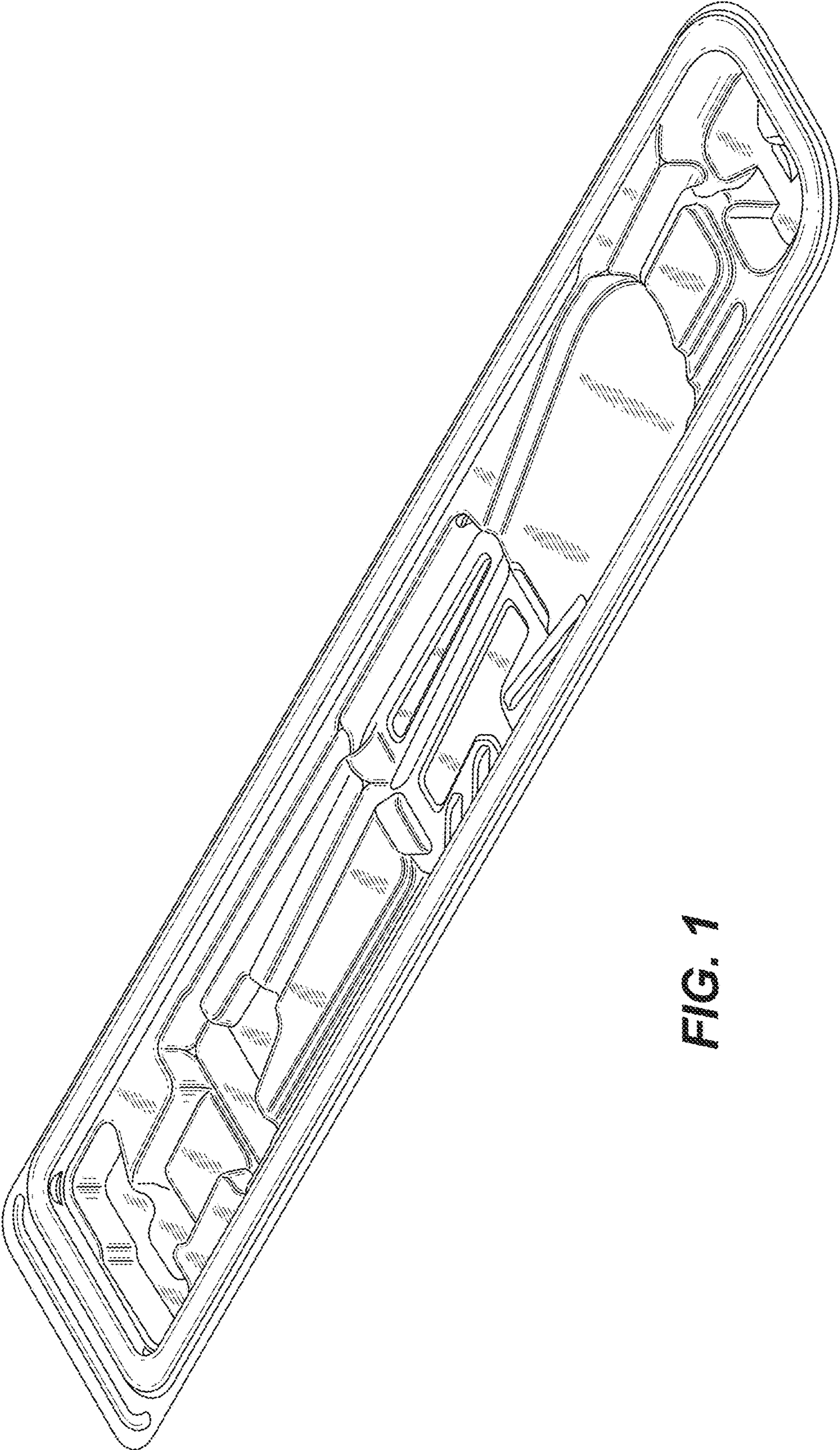
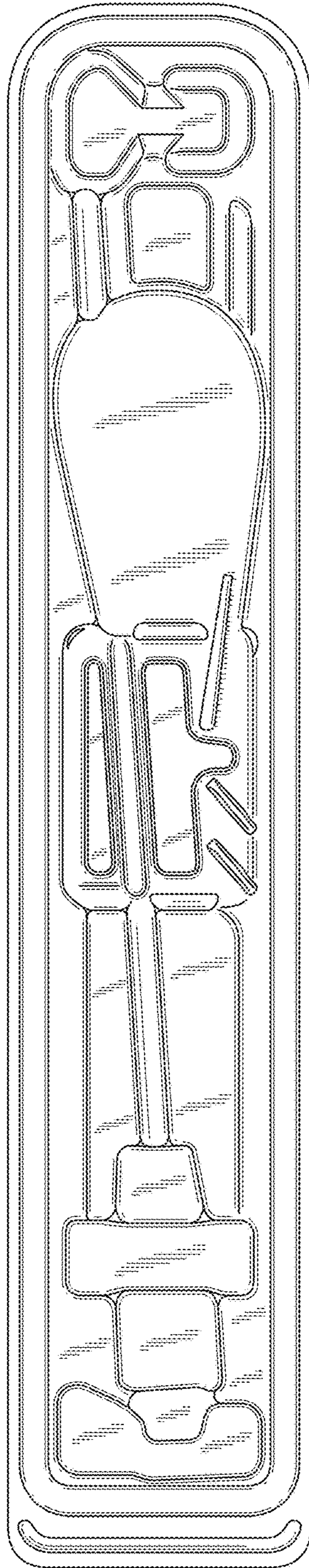
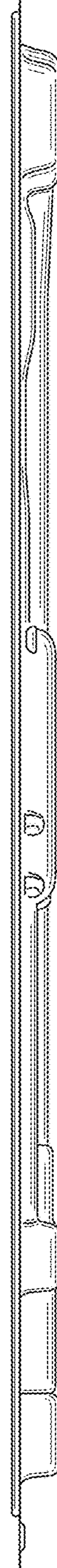


FIG. 1

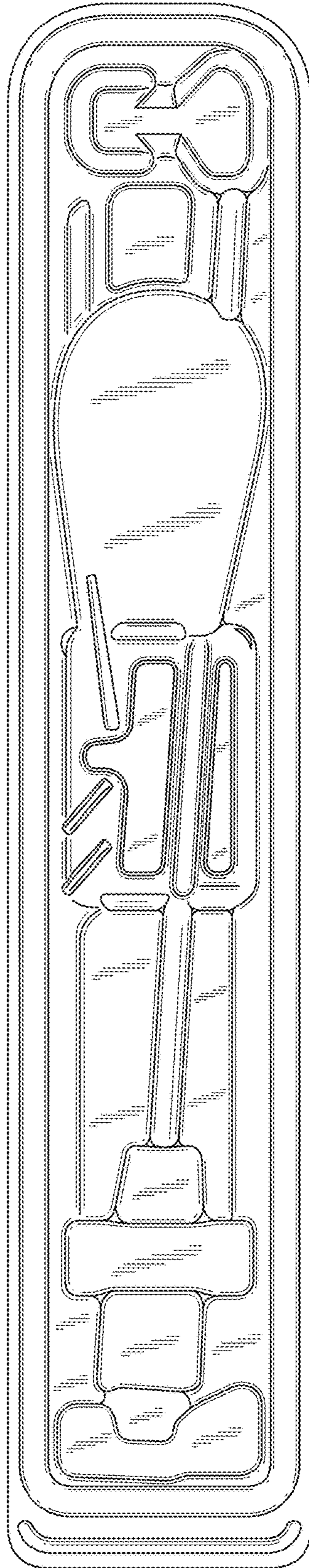
**FIG. 2**



**FIG. 3**



**FIG. 4**



**FIG. 5**



**FIG. 6**



**FIG. 7**

