



US00D848844S

(12) **United States Design Patent**
Byron et al.

(10) **Patent No.:** **US D848,844 S**

(45) **Date of Patent:** **** May 21, 2019**

- (54) **BOTTLE CAP**
- (71) Applicant: **Kent Byron**, New Iberia, LA (US)
- (72) Inventors: **Kent Byron**, Lafayette, LA (US); **Jason Burroughs**, Tampa, FL (US)
- (73) Assignee: **Kent Byron**, New Iberia, LA (US)
- (**) Term: **15 Years**
- (21) Appl. No.: **29/626,390**
- (22) Filed: **Nov. 16, 2017**
- (51) **LOC (11) Cl.** **09-07**
- (52) **U.S. Cl.**
USPC **D9/454**
- (58) **Field of Classification Search**
USPC D9/428, 429, 432, 434, 435, 436, 439, D9/440, 443, 444, 445, 447, 449-455, D9/499, 500, 503, 504, 705; D7/317, D7/387, 391, 392, 392.1, 393, 396.1, D7/396.2, 509-511, 538, 900; D3/202, D3/203.2, 294, 302, 318; D28/91
CPC .. A61J 1/00; A61J 1/1412; B65D 1/00; B65D 1/02; B65D 1/10; B65D 1/46; B65D 2585/56; B65D 2585/545; B65D 41/00; B65D 41/38; B65D 41/56; B65D 41/62; B65D 47/00; B65D 47/06; B65D 47/08; B65D 2543/00046; B65D 2543/00092; B65D 2543/00296; B65D 5/46; B65D 2251/00
See application file for complete search history.

- 3,149,611 A * 9/1964 Harrison A01K 7/06 119/72.5
- 5,579,943 A * 12/1996 Johnson B65D 51/20 215/239
- 5,797,509 A * 8/1998 Fitch B65D 51/20 215/232
- 6,003,701 A * 12/1999 Hidding B65D 41/3409 215/252
- 6,085,919 A * 7/2000 Singer A63H 1/30 206/217
- D446,122 S * 8/2001 Weinstein D9/428
- D451,393 S * 12/2001 Gerhart D9/453
- D460,357 S * 7/2002 Kras D9/435
- D481,314 S * 10/2003 Noonan D9/438
- D512,636 S * 12/2005 Pace D9/504
- 6,983,857 B2 * 1/2006 Miller B65D 51/165 215/270
- D518,717 S * 4/2006 German D9/453
- D548,101 S * 8/2007 Elgebrant D9/560

(Continued)

Primary Examiner — Michael A. Pratt
Assistant Examiner — Wendy L Arminio
(74) *Attorney, Agent, or Firm* — Jones Walker LLP

(57) **CLAIM**

We claim the ornamental design for a bottle cap, as shown and described.

DESCRIPTION

FIG. 1 is a top perspective view of a bottle cap showing our new design;
FIG. 2 is a bottom perspective view thereof;
FIG. 3 is a top view thereof;
FIG. 4 is a front view thereof;
FIG. 5 is a bottom view thereof; and,
FIG. 6 is a sectional view thereof taken in the direction of line 6-6 in FIG. 3.

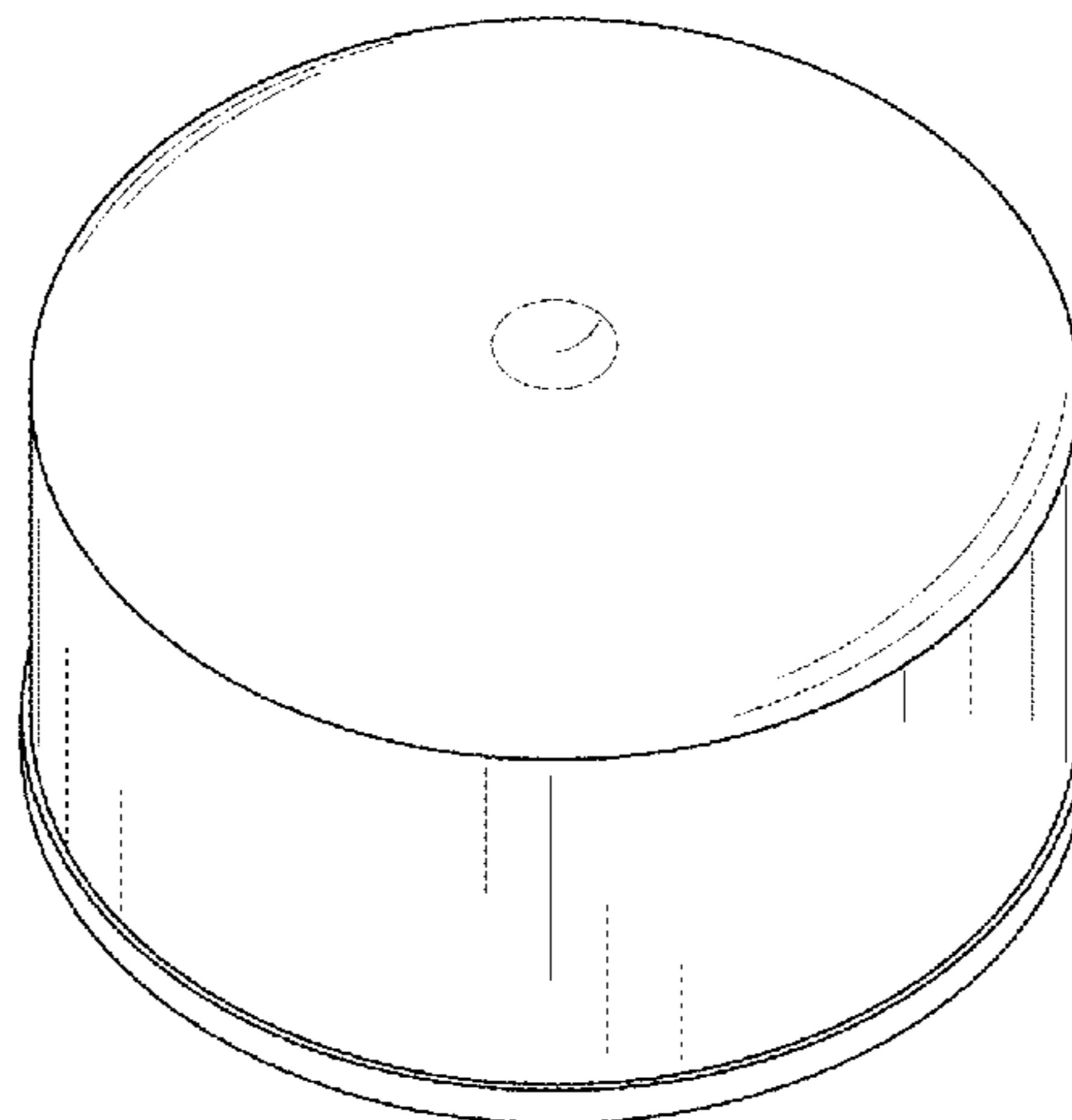
The rear view, the right side view, and the left side view of the bottle cap shown in FIGS. 1-6 are each identical to the front view shown in FIG. 4.

1 Claim, 2 Drawing Sheets

(56) **References Cited**

U.S. PATENT DOCUMENTS

- 2,082,614 A * 6/1937 Brodrick B65D 3/04 220/258.3
- D127,331 S * 5/1941 Rosenfeld D28/91
- D145,738 S * 10/1946 Lewis D3/302
- D188,771 S * 9/1960 Chaplin D9/452



(56)

References Cited

U.S. PATENT DOCUMENTS

D614,952 S * 5/2010 Caserta D9/438
D687,299 S * 8/2013 Peykoff D9/453
D734,669 S * 7/2015 Crosta D9/449
9,237,608 B2 * 1/2016 Barclay H05B 6/6447
D751,902 S * 3/2016 Sturk D9/447
D769,120 S * 10/2016 Albuquerque D9/454
D789,201 S * 6/2017 Yu D9/453
D792,219 S * 7/2017 Bueno Nunez D9/453
D799,963 S * 10/2017 Akiyama D9/454
9,795,165 B2 * 10/2017 Bried A24F 23/00
D820,037 S * 6/2018 Ivankovic B65D 21/0233
D7/391
D824,760 S * 8/2018 Lebon D9/447
D824,763 S * 8/2018 Suess D9/454
2003/0071042 A1 * 4/2003 Adams B65D 5/746
220/258.2
2005/0172814 A1 * 8/2005 Brunk B01D 53/0415
96/108
2006/0124575 A1 * 6/2006 Mavin B65D 5/746
215/252
2010/0200532 A1 * 8/2010 Ekkert B65D 41/00
215/201
2011/0031251 A1 * 2/2011 Seok B05B 11/0072
220/378
2012/0031871 A1 * 2/2012 Molinaro B65D 1/023
215/44
2013/0092691 A1 * 4/2013 Sato A45D 33/20
220/288
2015/0320639 A1 * 11/2015 Perot A61J 1/1406
604/404
2018/0208376 A1 * 7/2018 Dunwoody B21D 51/48

* cited by examiner

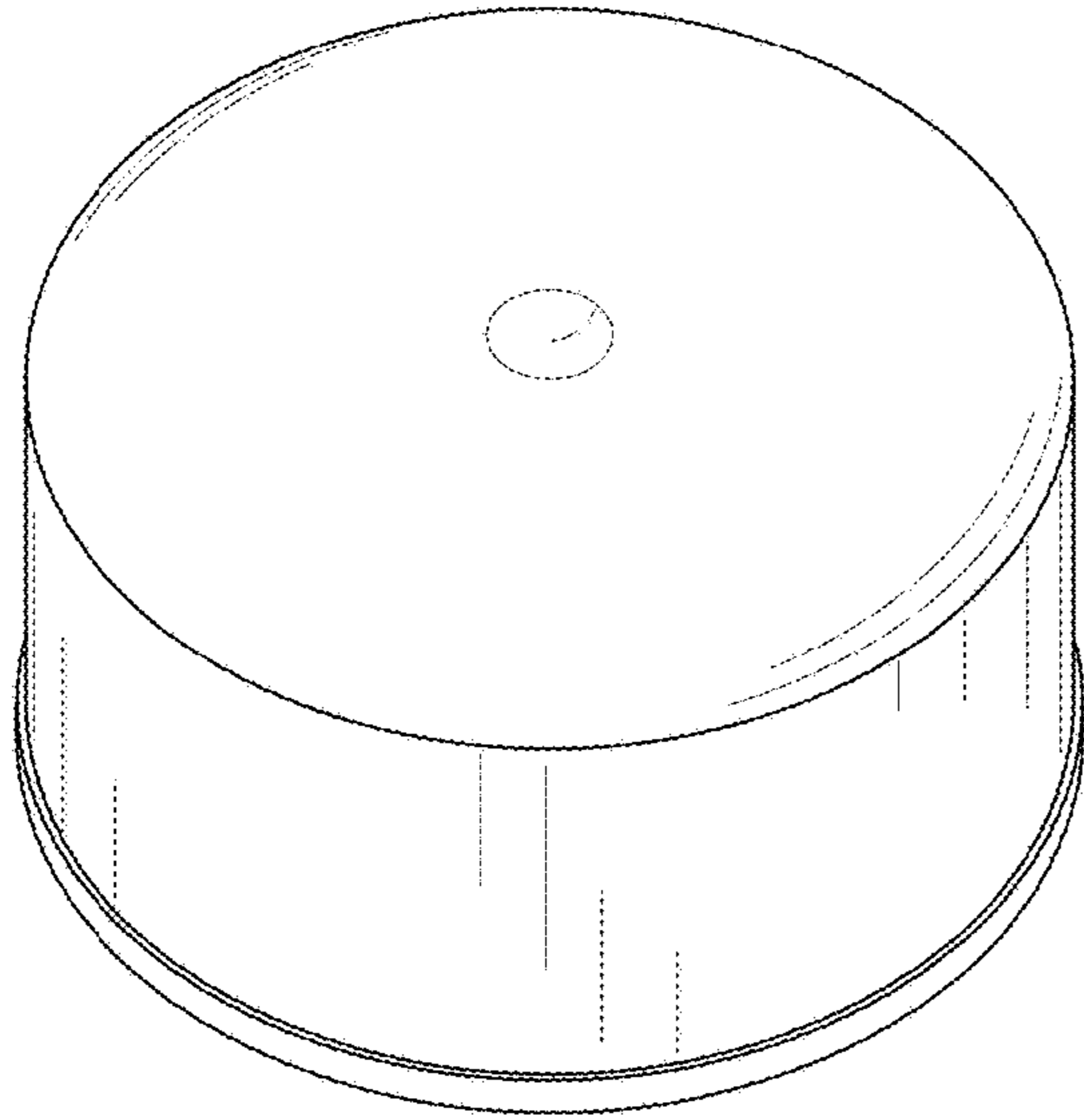


Fig. 1

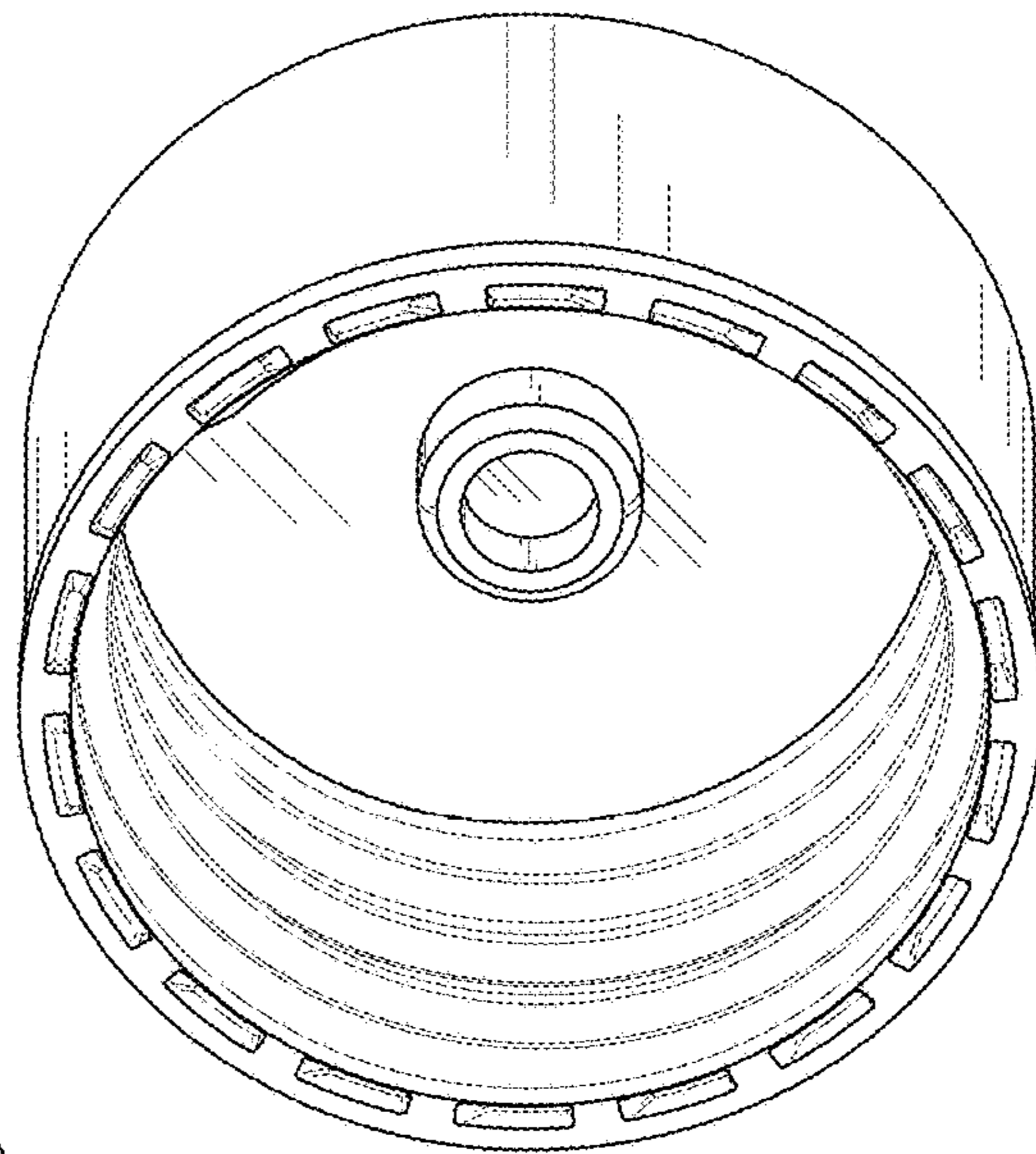


Fig. 2

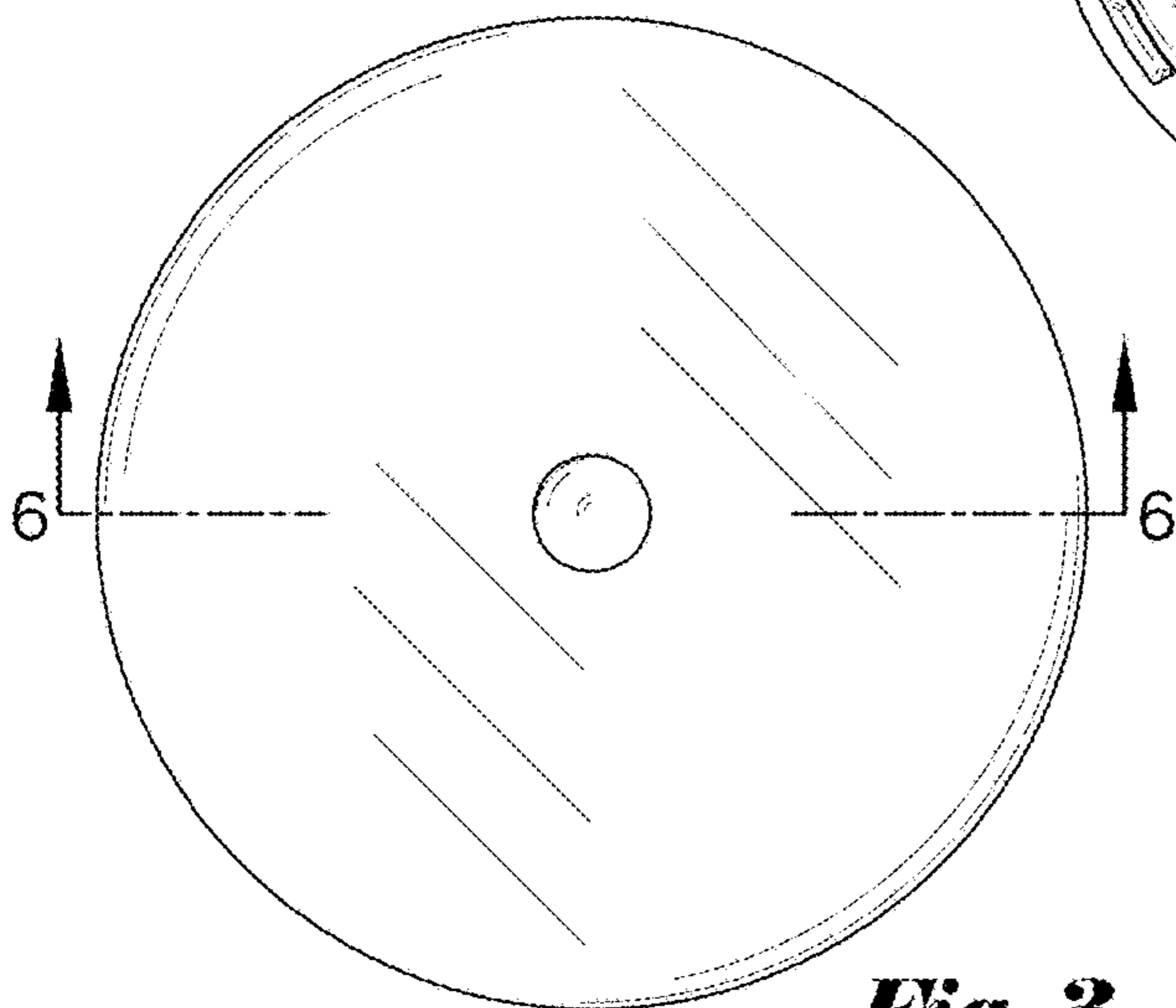


Fig. 3

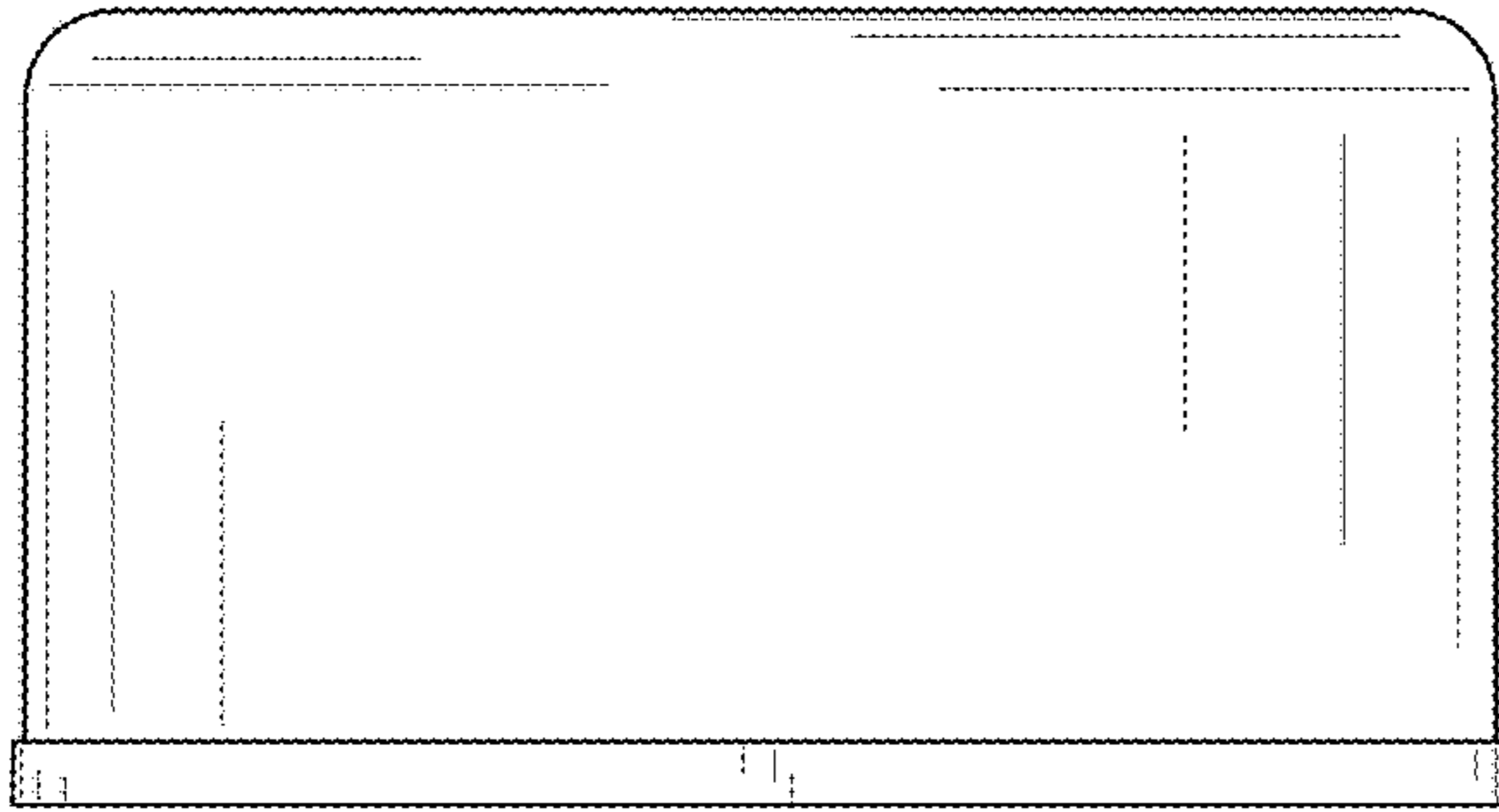


Fig. 4

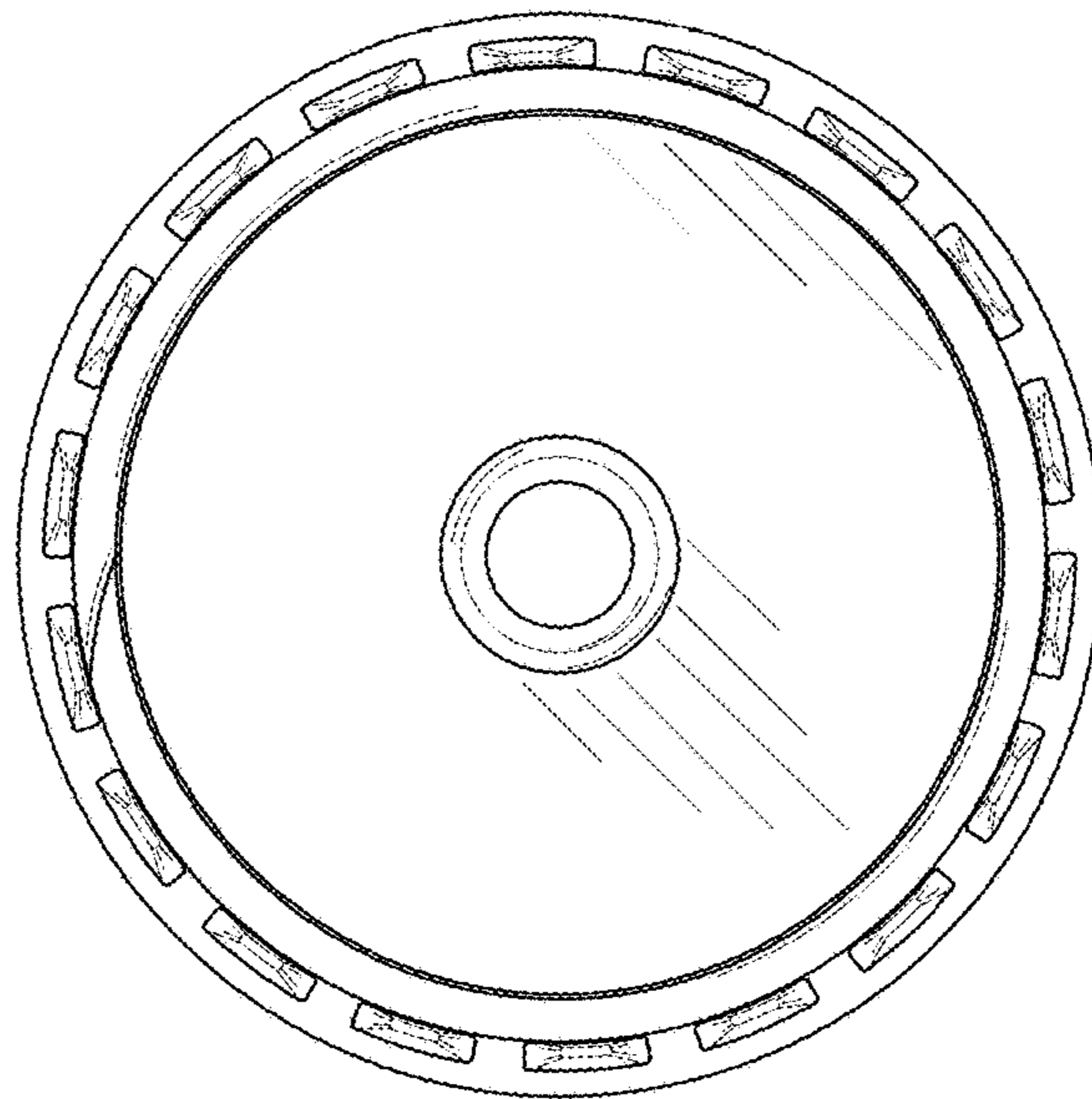


Fig. 5

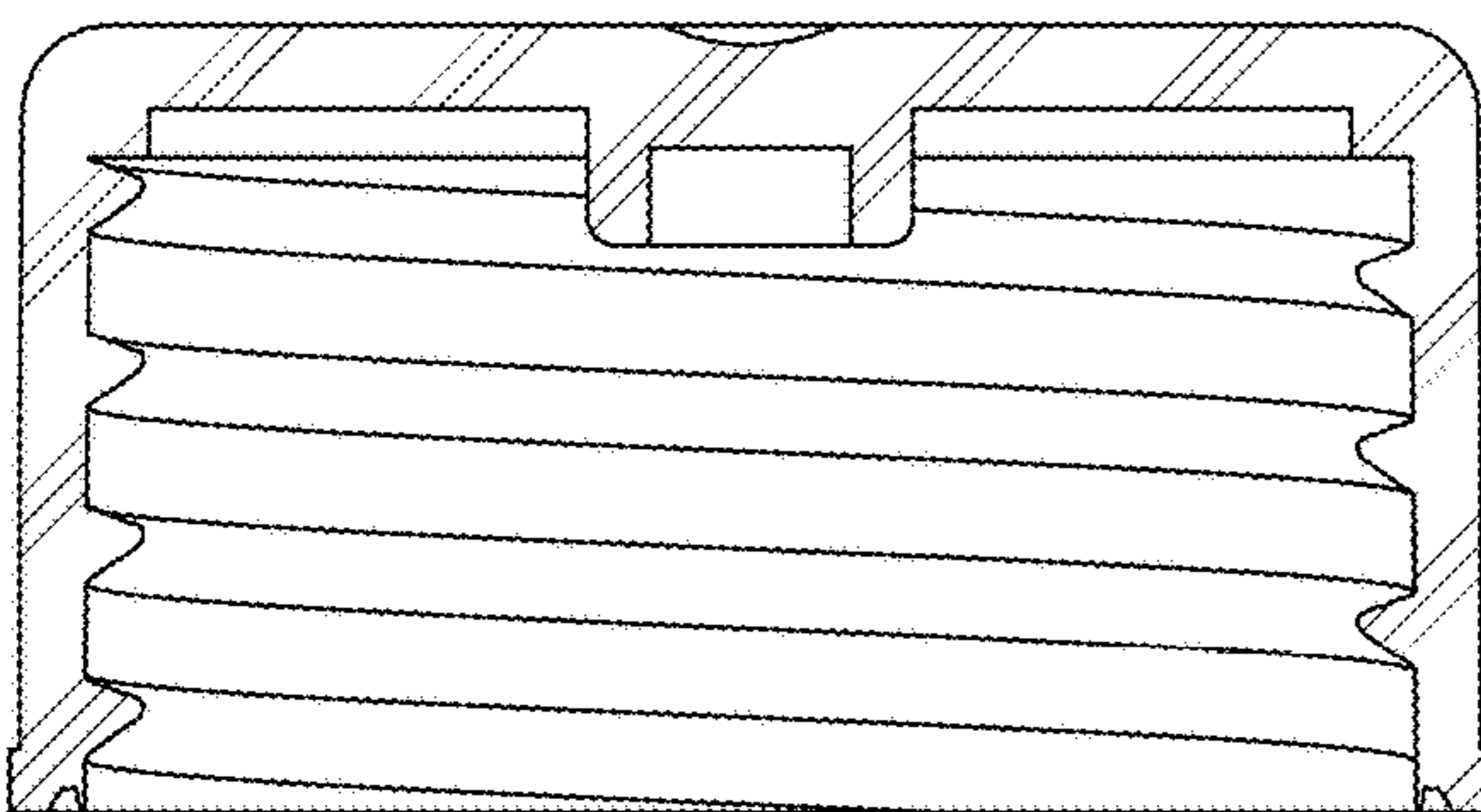


Fig. 6