



US00D848843S

(12) **United States Design Patent** (10) **Patent No.:** **US D848,843 S**
Uetsuki et al. (45) **Date of Patent:** **** May 21, 2019**

(54) **CAP FOR CONTAINER**

B65D 2543/00296; B65D 5/46; B65D 2251/00

(71) Applicant: **Kobayashi Pharmaceutical Co., Ltd.**,
Osaka-shi (JP)

See application file for complete search history.

(72) Inventors: **Hidetomo Uetsuki**, Osaka (JP);
Tomonori Shinkoda, Osaka (JP);
Satoru Komiyama, Osaka (JP)

(56) **References Cited**

U.S. PATENT DOCUMENTS

(73) Assignee: **Kobayashi Pharmaceutical Co., Ltd.**
(JP)

- 3,857,505 A * 12/1974 Mumford B65D 50/041
215/220
- 4,375,862 A * 3/1983 Kurinsky B65D 43/0212
220/293
- D311,868 S * 11/1990 Armstrong D9/452
- 5,020,681 A * 6/1991 Kusz B65D 50/041
215/220
- D327,849 S * 7/1992 Armstrong D9/435
- 5,147,052 A * 9/1992 Minette B65D 50/041
215/215
- D364,564 S * 11/1995 Moore D9/429

(**) Term: **15 Years**

(21) Appl. No.: **29/640,583**

(Continued)

(22) Filed: **Mar. 15, 2018**

OTHER PUBLICATIONS

(30) **Foreign Application Priority Data**

U.S. Appl. No. 29/640,588, filed Mar. 15, 2018. (Unpublished).

Sep. 15, 2017 (JP) 2017-020267

(51) **LOC (11) Cl.** **09-07**

Primary Examiner — Michael A. Pratt

(52) **U.S. Cl.**

Assistant Examiner — Wendy L Arminio

USPC **D9/452**

(74) *Attorney, Agent, or Firm* — Saidman DesignLaw Group, LLC

(58) **Field of Classification Search**

(57) **CLAIM**

USPC D9/414, 416, 425, 434, 435, 436, 438,
D9/439, 440, 442, 443, 446-450,
D9/452-457, 499, 503-505, 682, 685,
D9/686; D7/387, 391, 392, 392.1, 393,
D7/394, 396.1-396.4, 401.1, 503-505,
D7/509-511, 538, 900; D3/201, 202,
D3/203.2, 318; D28/91, 91.1

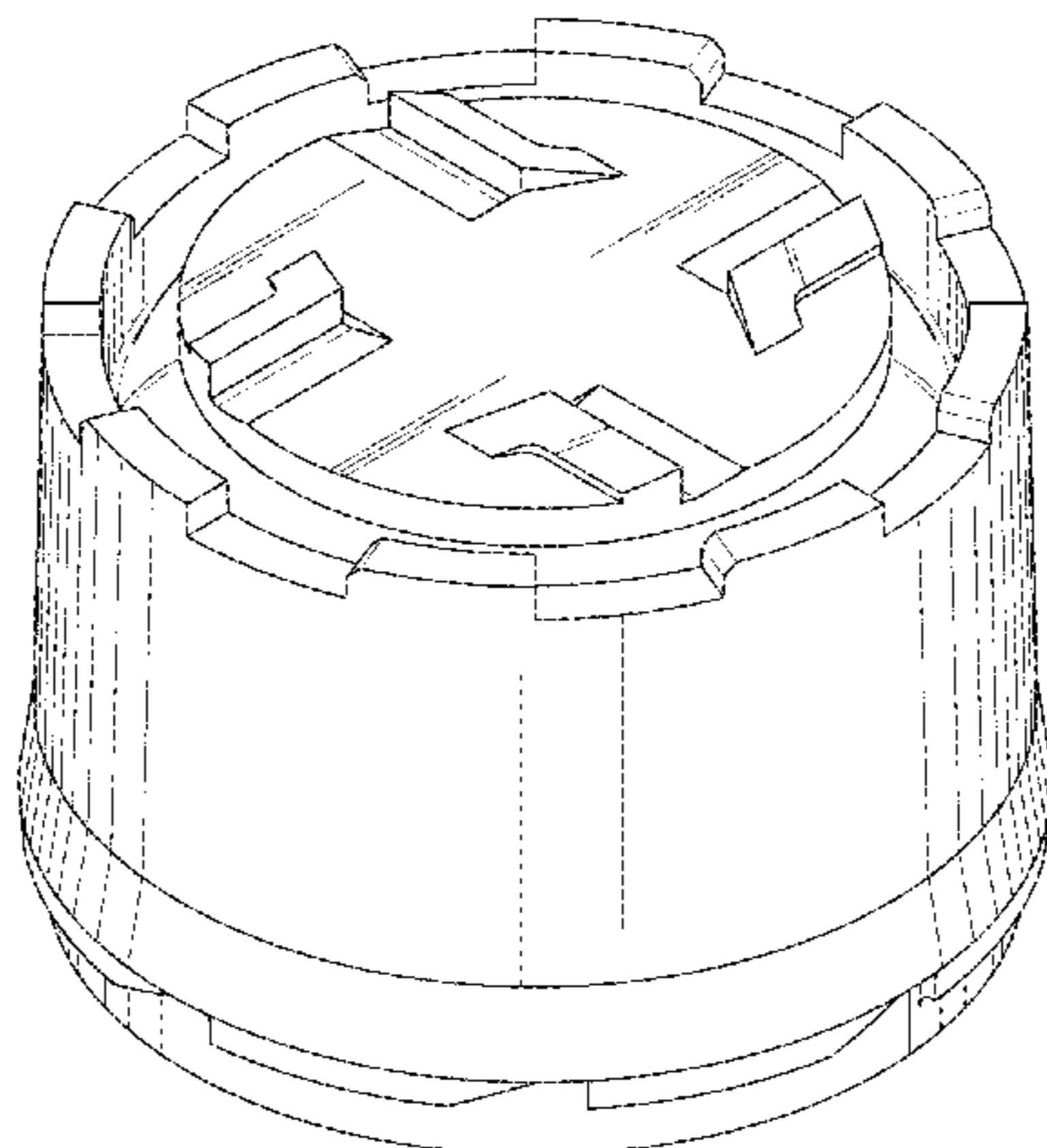
The ornamental design for a cap for container, as shown and described.

CPC .. A61J 1/00; A61J 1/1412; B65D 1/00; B65D 1/02; B65D 1/10; B65D 1/46; B65D 2585/56; B65D 2585/545; B65D 41/00; B65D 41/38; B65D 41/56; B65D 41/62; B65D 47/00; B65D 47/06; B65D 47/08; B65D 2543/00046; B65D 2543/00092;

DESCRIPTION

FIG. 1 is a first perspective view of a cap for container showing our new design;
FIG. 2 is a second perspective view thereof;
FIG. 3 is a front view thereof;
FIG. 4 is a rear view thereof;
FIG. 5 is a left side view thereof;
FIG. 6 is a right side view thereof;
FIG. 7 is a top view thereof; and,
FIG. 8 is a bottom view thereof.

(Continued)



The broken lines illustrate structure or features which form no part of the claimed design.

1 Claim, 8 Drawing Sheets

(56)

References Cited

U.S. PATENT DOCUMENTS

5,588,545 A * 12/1996 King B65D 1/02
215/216
D397,612 S * 9/1998 Lipnick D9/445
D508,204 S * 8/2005 Pitman D9/452
D520,874 S * 5/2006 Gross D9/452
D600,120 S * 9/2009 Kawamura D9/452
D616,090 S * 5/2010 Kawamura D24/127
D638,294 S * 5/2011 Heidel D9/452
D642,467 S * 8/2011 Knutson D9/443
D679,592 S * 4/2013 Stull, Sr. D9/452
D682,103 S * 5/2013 Jedlicka D9/452
8,474,634 B1 7/2013 Branson et al.
D722,689 S * 2/2015 Miceli D24/127
D738,491 S * 9/2015 Foley D24/121
D755,633 S * 5/2016 Baughman D9/452
D799,961 S * 10/2017 Yu D9/452
D806,544 S * 1/2018 Williams D9/445
9,902,535 B2 * 2/2018 Faragher B65D 50/041
D817,760 S * 5/2018 Petrosino D9/452
2011/0147334 A1 * 6/2011 Mettu B65D 50/041
215/219
2012/0138561 A1 * 6/2012 Brozell B65D 50/041
215/220

* cited by examiner

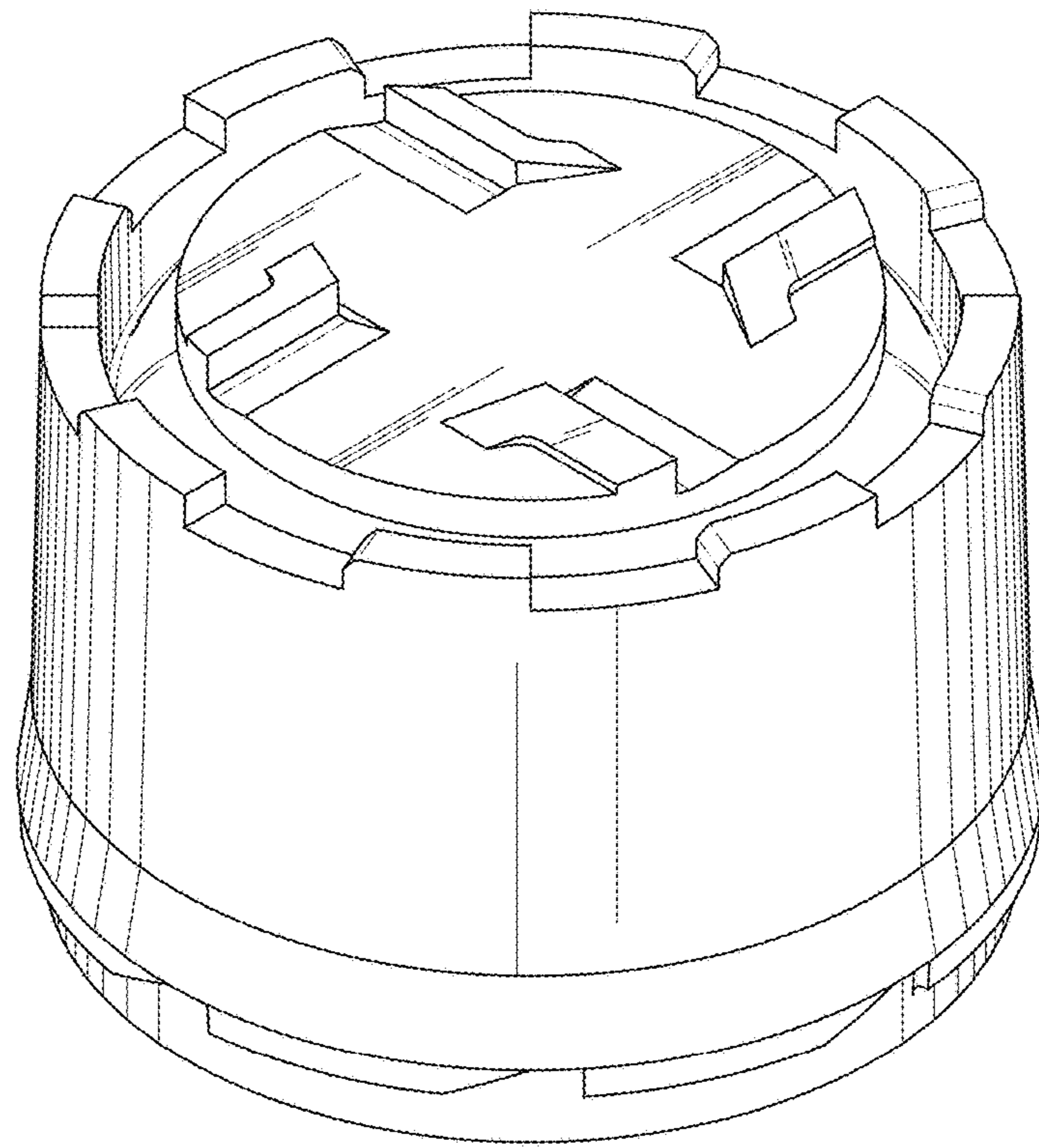


FIG.1

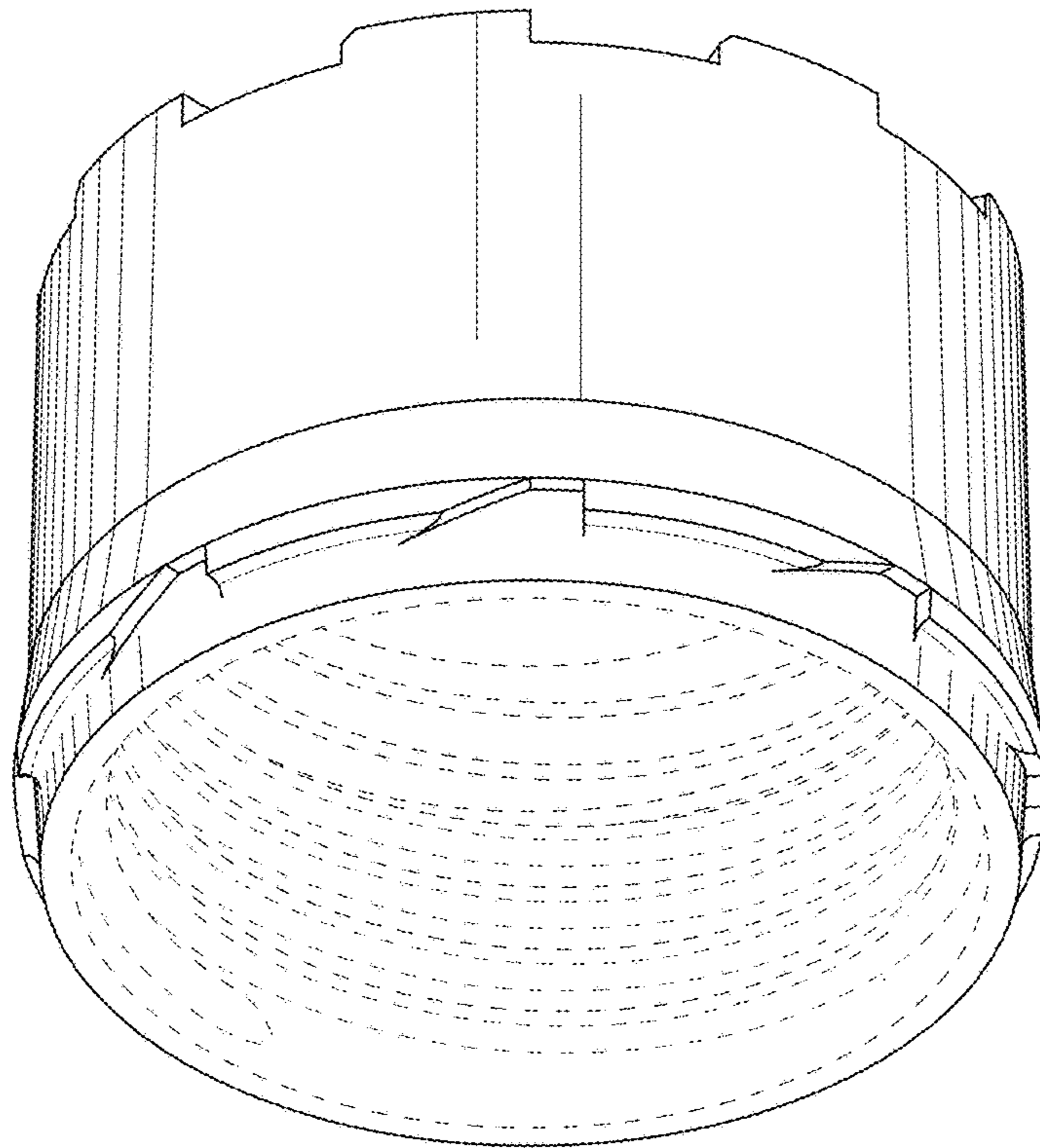


FIG.2

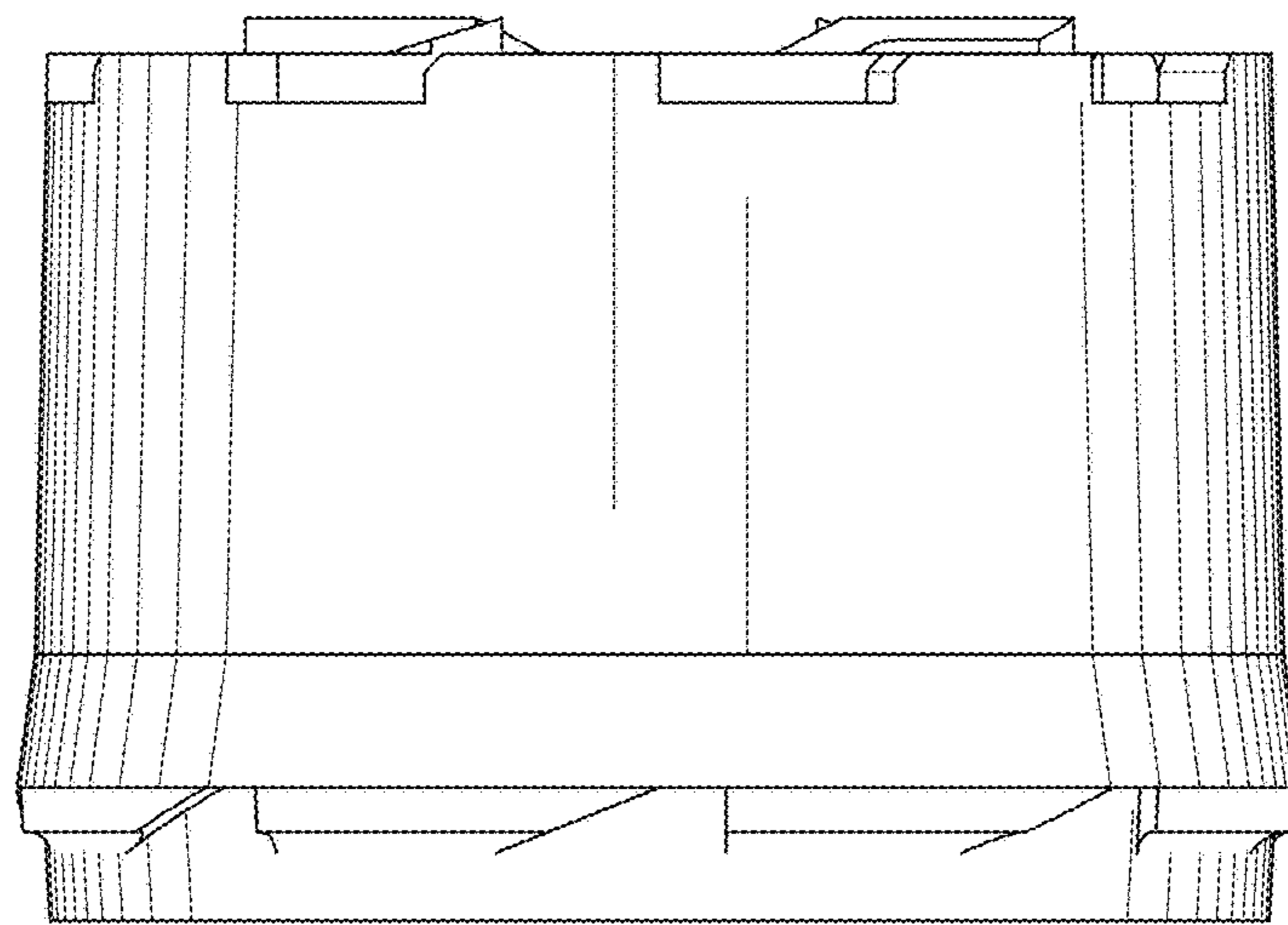


FIG.3

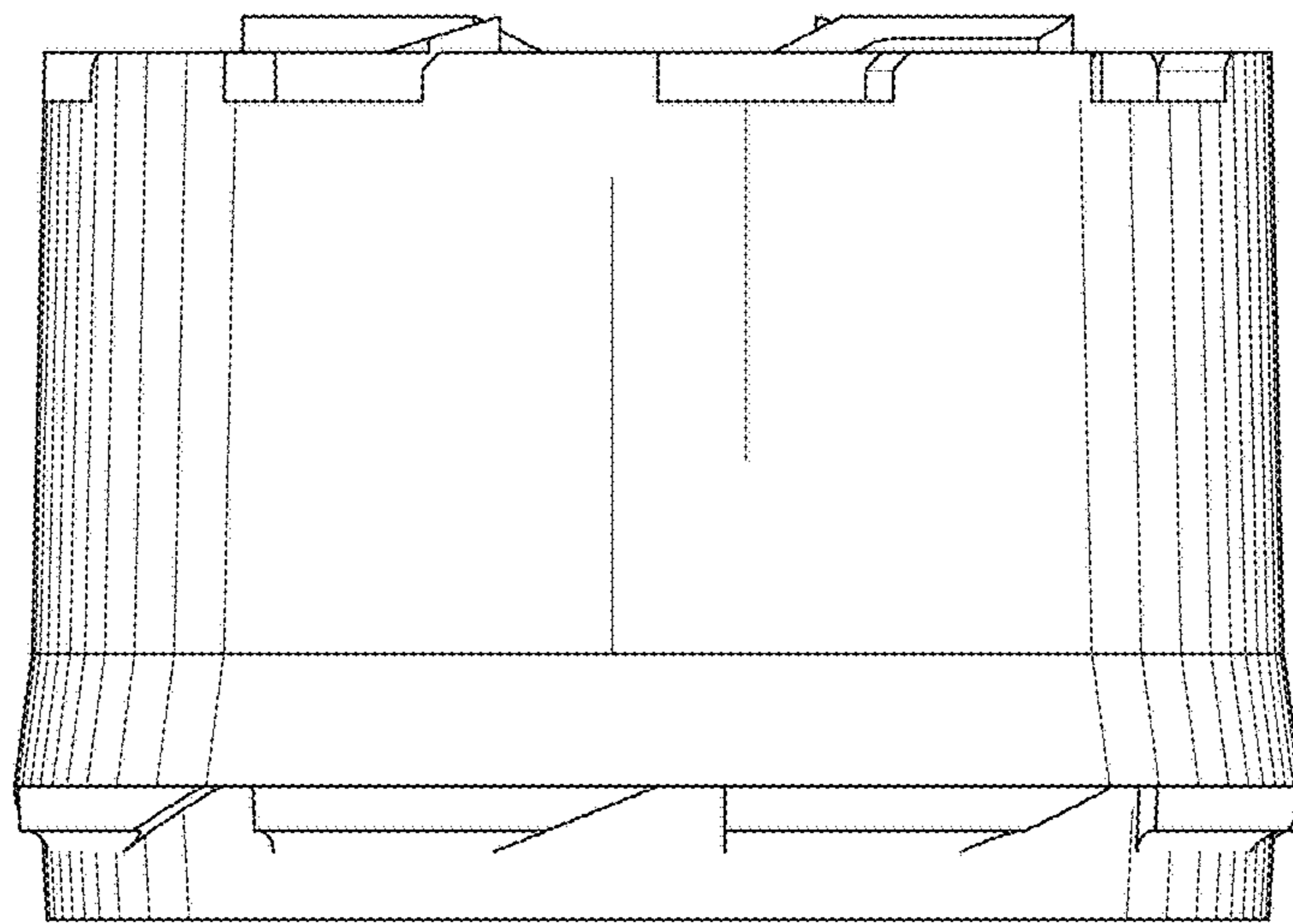


FIG.4

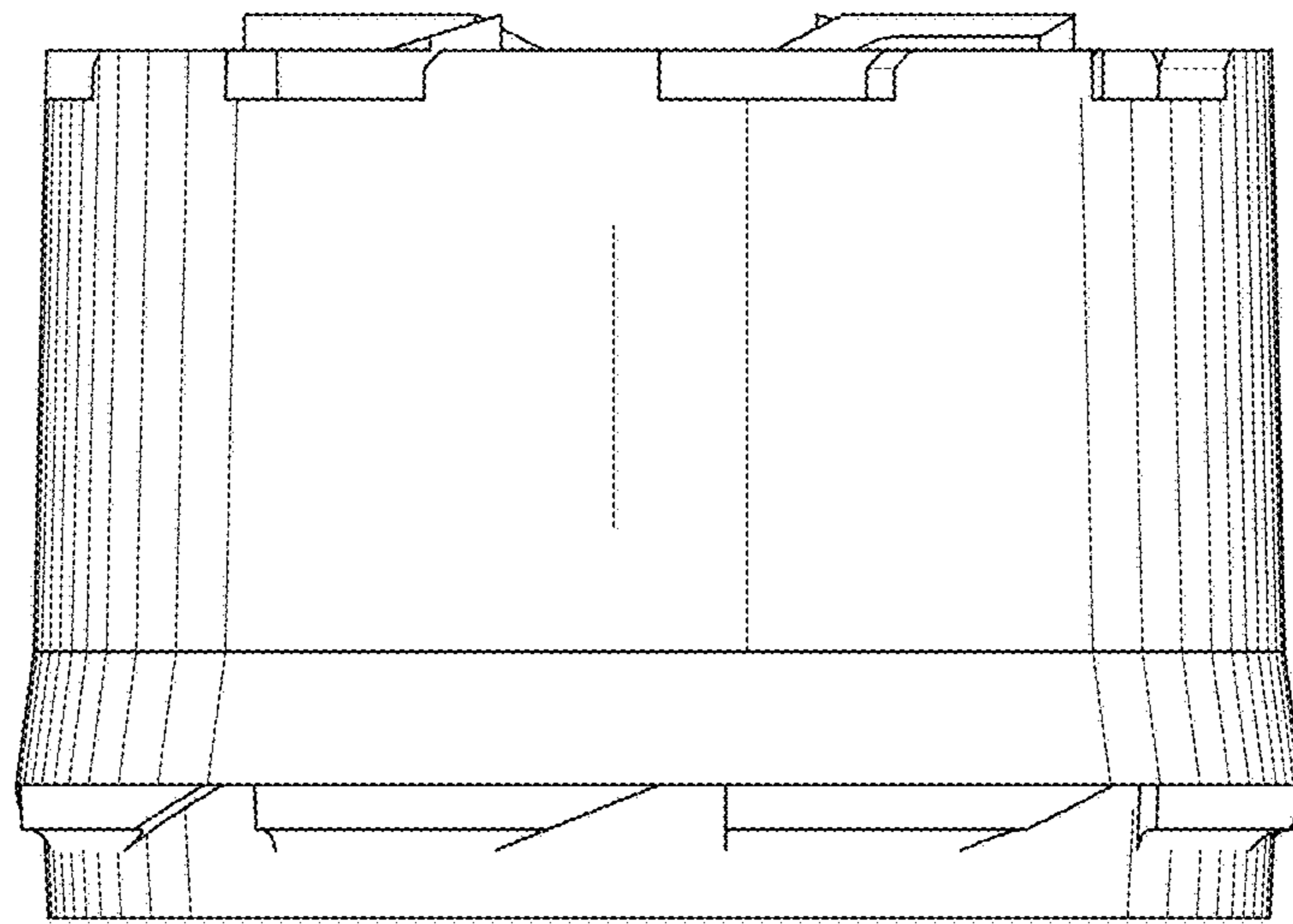


FIG.5

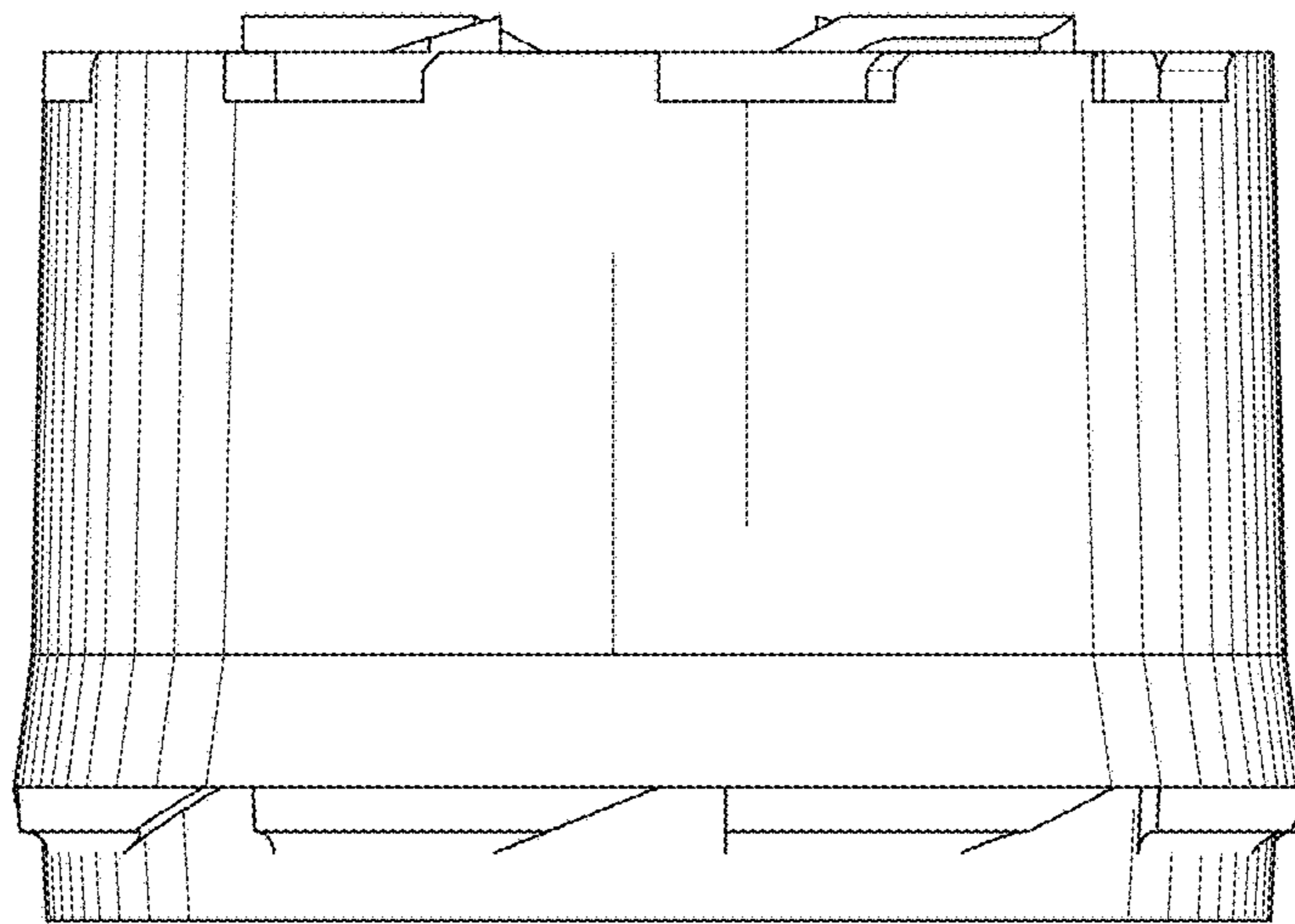


FIG.6

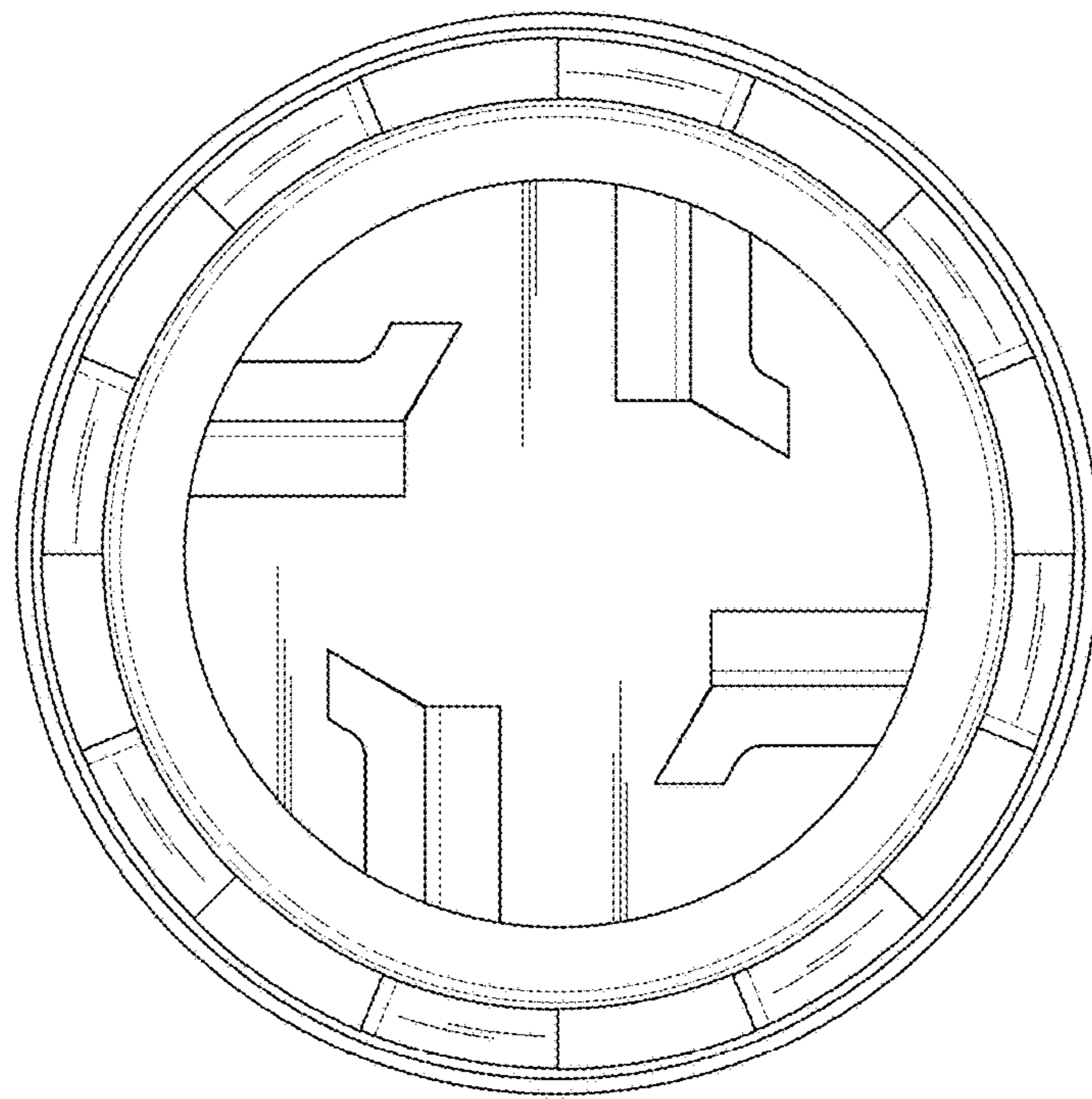


FIG. 7

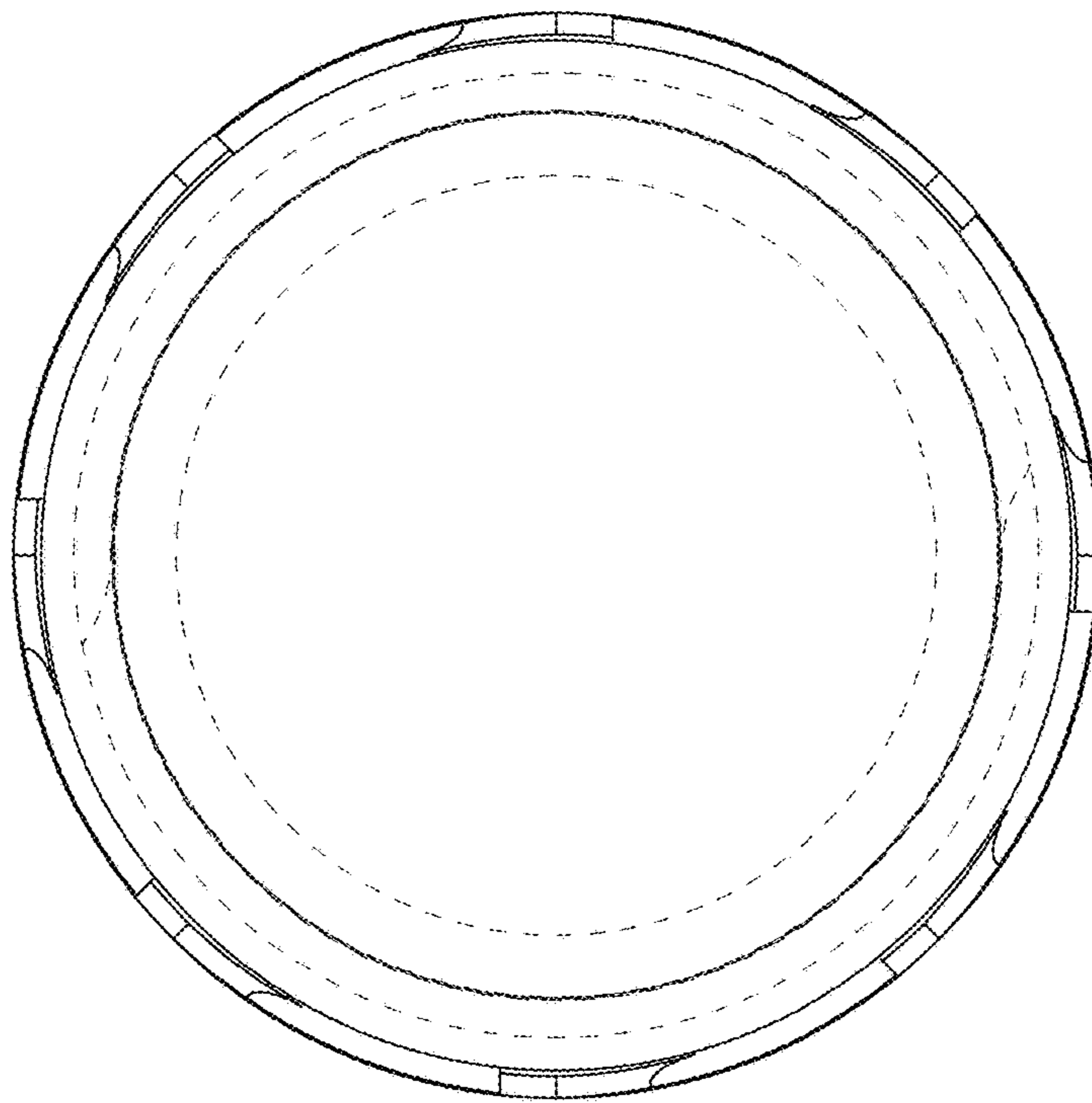


FIG.8