



US00D848842S

(12) **United States Design Patent** (10) **Patent No.:** **US D848,842 S**
Ramsey (45) **Date of Patent:** **** May 21, 2019**

(54) **BOTTLE TOP**
(71) Applicant: **Crown Packaging Technology, Inc.**,
Alsip, IL (US)
(72) Inventor: **Christopher Paul Ramsey**, Wantage
(GB)

3,147,875 A * 9/1964 Rutledge, Sr. B65D 41/12
215/328
3,198,369 A * 8/1965 St Jacques B65D 41/12
215/328
3,200,982 A 8/1965 Cormier
(Continued)

(73) Assignee: **Crown Packaging Technology, Inc.**,
Alsip, IL (US)
(**) Term: **15 Years**

(21) Appl. No.: **29/619,461**
(22) Filed: **Sep. 29, 2017**

(30) **Foreign Application Priority Data**
Mar. 30, 2017 (EM) 003831858-0001
Mar. 30, 2017 (EM) 003831858-0002
Mar. 30, 2017 (EM) 003831858-0003
Mar. 30, 2017 (EM) 003831858-0004

(51) **LOC (11) Cl.** **09-07**
(52) **U.S. Cl.**
USPC **D9/452**; D9/454
(58) **Field of Classification Search**
USPC D3/201, 202, 318; D7/387, 392, 392.1,
D7/396.2, 396.3, 397, 398, 511, 629;
D9/434, 435, 436-440, 443, 445-449,
D9/454, 456, 499, 441, 667, 452
CPC B65D 41/04
See application file for complete search history.

(56) **References Cited**
U.S. PATENT DOCUMENTS
D24,542 S * 8/1895 McTernan D3/318
D48,033 S * 10/1915 Kaye D9/453
D132,771 S * 6/1942 Hutaff D9/443
D198,235 S * 5/1964 Rander 81/3.09

OTHER PUBLICATIONS

iOS Rider. How to Scan QR codes from iPhone and Ipad with iOS 11. Oct. 17, 2017 [earliest online date], [site visited Jul. 19, 2018]. Available from Internet, <URL:http://iosrider.com/how-use-qr-codes-ios-11-iphone-ipad/>. (Year: 2017).*
(Continued)

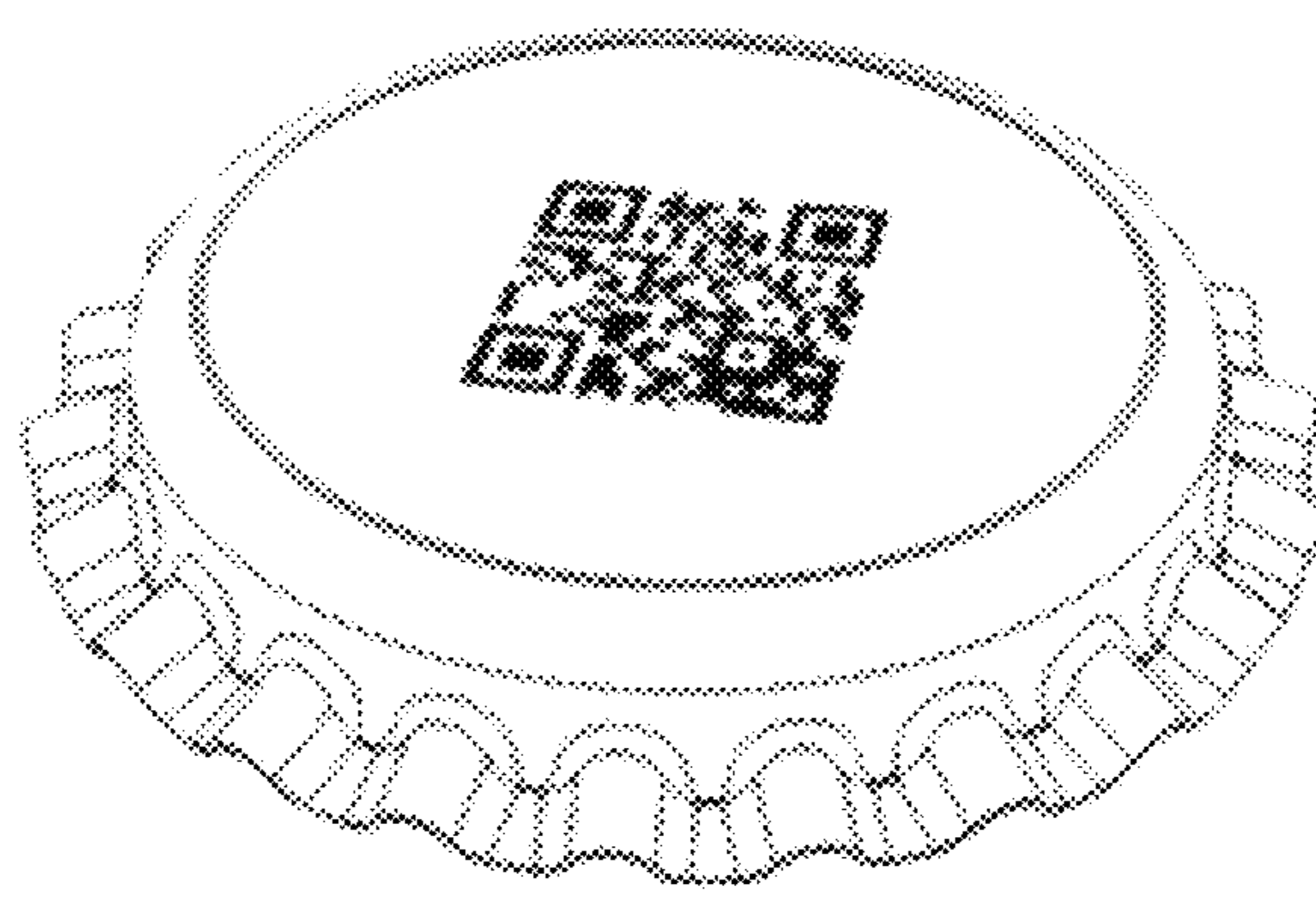
Primary Examiner — George D. Kirschbaum
Assistant Examiner — Darcey E Heflin
(74) *Attorney, Agent, or Firm* — BakerHostetler

(57) **CLAIM**
The ornamental design for a bottle top, as shown and described.

DESCRIPTION

FIG. 1 is a top plan view of a bottle top according to a first embodiment of my new design;
FIG. 2 is a bottom plan view thereof;
FIG. 3 is a top perspective view thereof;
FIG. 4 is a bottom perspective view thereof;
FIG. 5 is a left side elevation view thereof, the right side elevation view being a mirror image of the left side elevation view;
FIG. 6 is a top plan view of a bottle top according to a second embodiment of my new design;
FIG. 7 is a bottom plan view thereof;
FIG. 8 is a top perspective view thereof;
FIG. 9 is a bottom perspective view thereof; and,
FIG. 10 is a left side elevation view thereof, the right side elevation view being a mirror image of the left side elevation view.

1 Claim, 10 Drawing Sheets



(56)

References Cited

U.S. PATENT DOCUMENTS

4,337,871 A * 7/1982 Tucker B65D 41/12
 215/328
 D292,380 S * 10/1987 Smith D9/435
 D331,407 S * 12/1992 Davis D14/189
 D363,075 S * 10/1995 Dunn D15/90
 D384,857 S * 10/1997 Beaulé D7/387
 D495,255 S * 8/2004 Lewis D9/436
 6,857,755 B1 2/2005 Lewis
 D507,745 S 7/2005 Pitman et al.
 D516,426 S * 3/2006 Golding D9/452
 D587,579 S 3/2009 Bourque et al.
 D649,395 S * 11/2011 Gehring D7/391
 D670,166 S * 11/2012 Lavender D9/452
 8,322,549 B2 * 12/2012 Bourque B65D 41/12
 215/324
 D673,851 S * 1/2013 Yates D9/452

D681,459 S * 5/2013 Ramsey D9/452
 D684,051 S * 6/2013 Winstanley D9/438
 D688,553 S * 8/2013 Winstanley D9/438
 D776,530 S 1/2017 Ramsey
 D799,267 S * 10/2017 Luo D7/509
 D799,961 S * 10/2017 Yu D9/452
 D802,418 S * 11/2017 Ryan D9/443
 2005/0029218 A1 2/2005 Golding
 2016/0332772 A1 11/2016 Ramsey

OTHER PUBLICATIONS

Crown Cork, "With QR Codes 'Under the Cap', Crown Helps Brands Engage Consumers", Jun. 20, 2013, <https://www.crowncork.com/news/press-room/qr-codes-under-cap-crown-helps-brands-engage-consumers>, 2 pages.

* cited by examiner

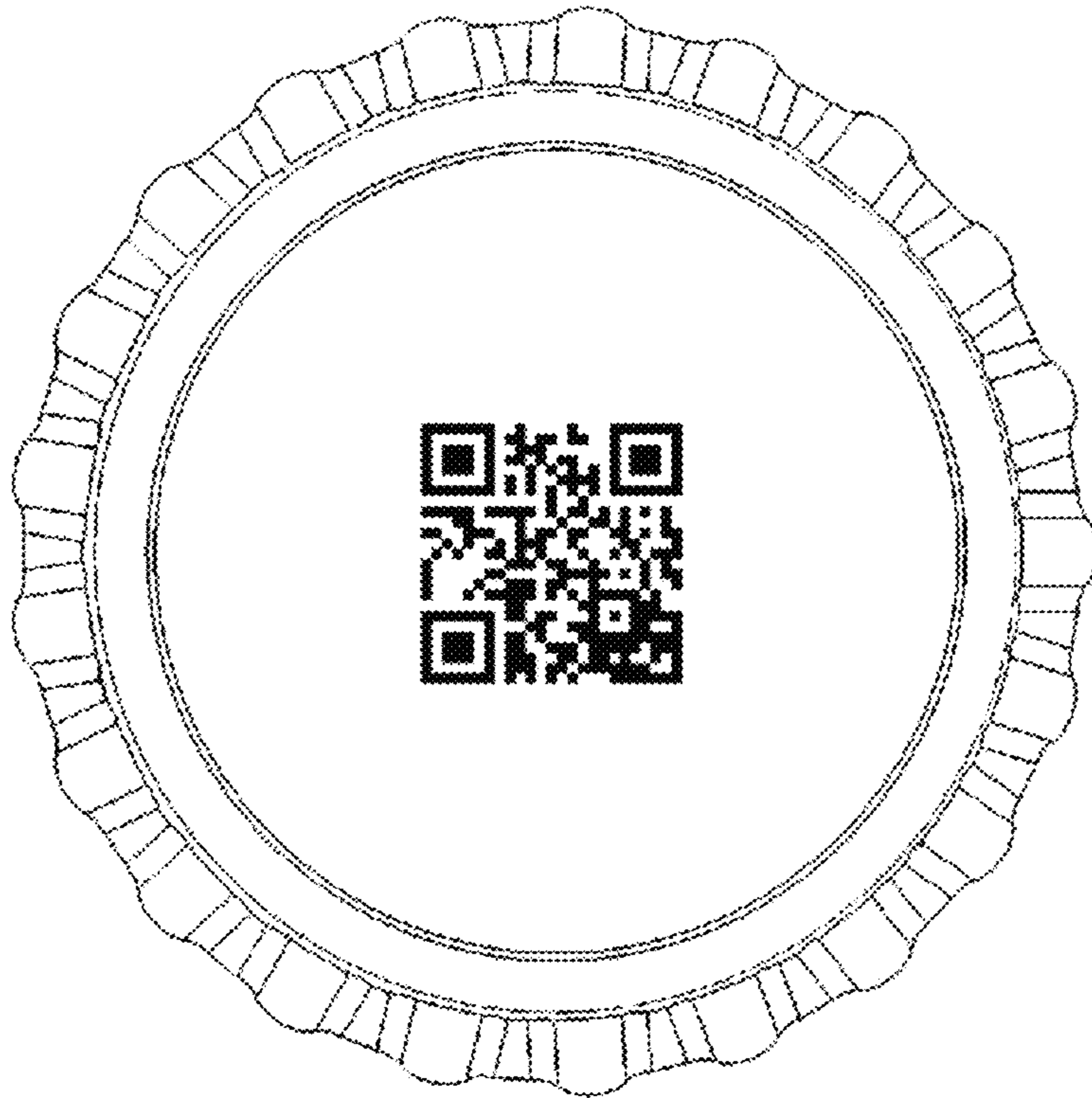


FIG. 1

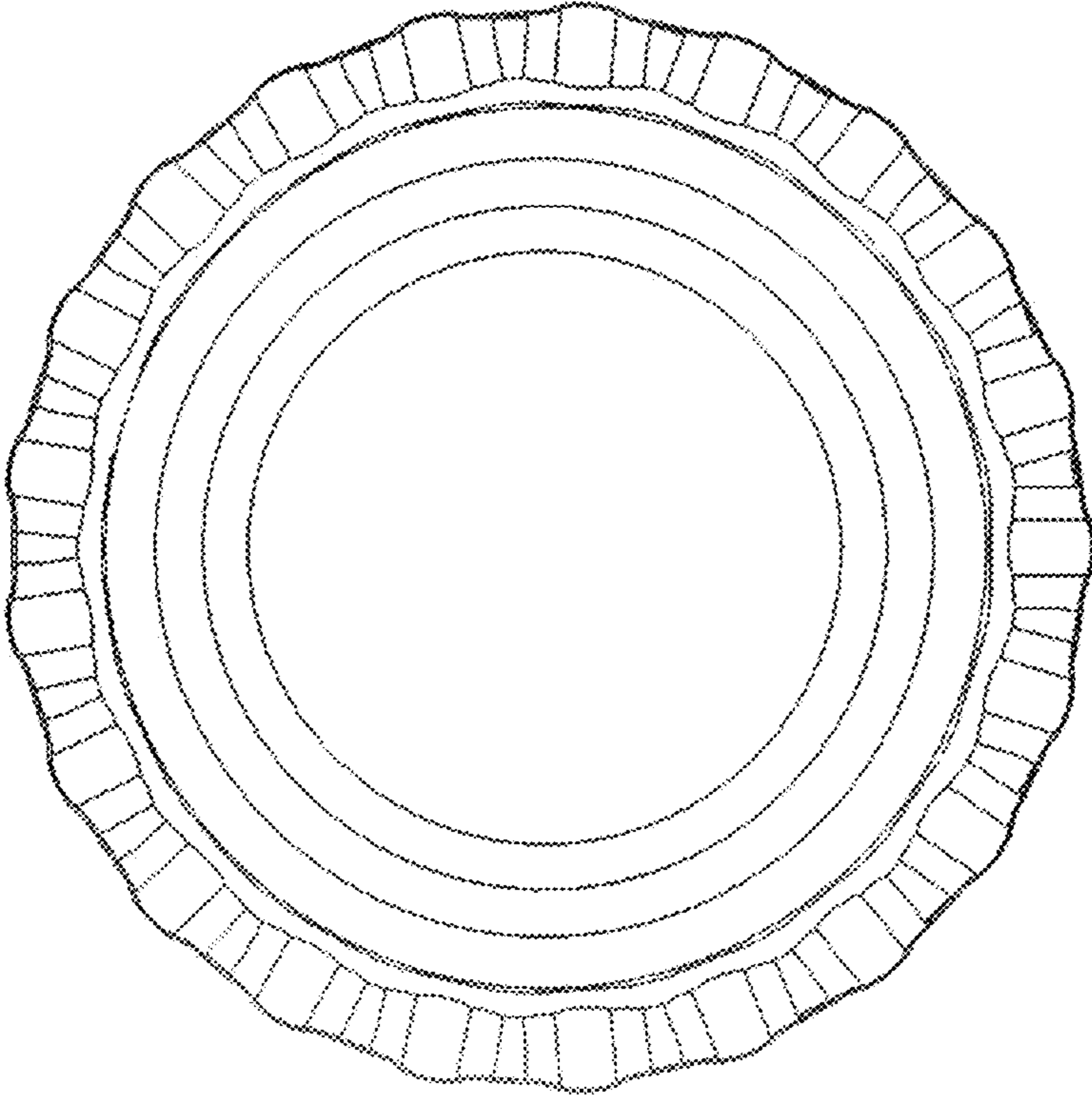


FIG. 2

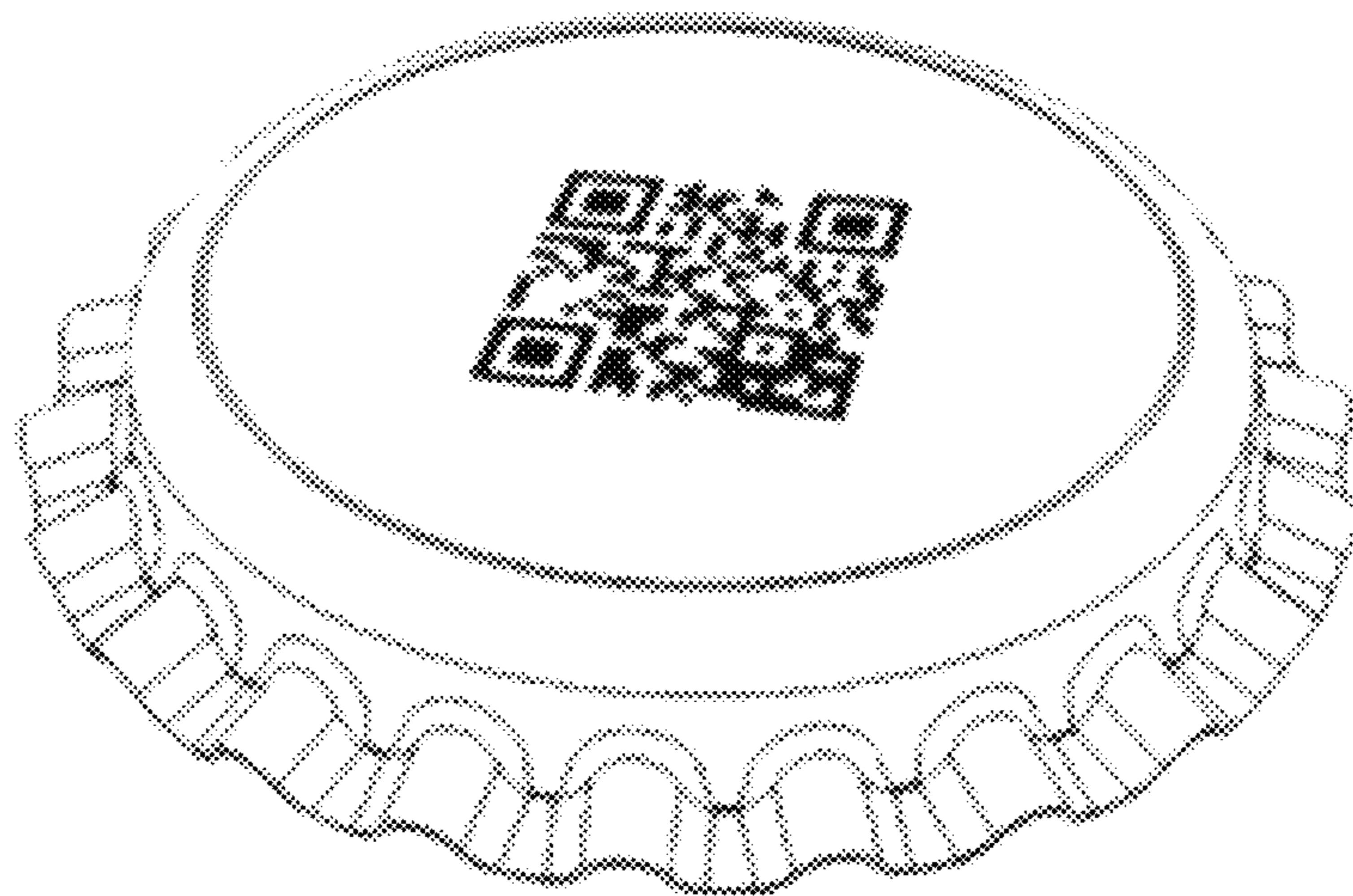


FIG. 3

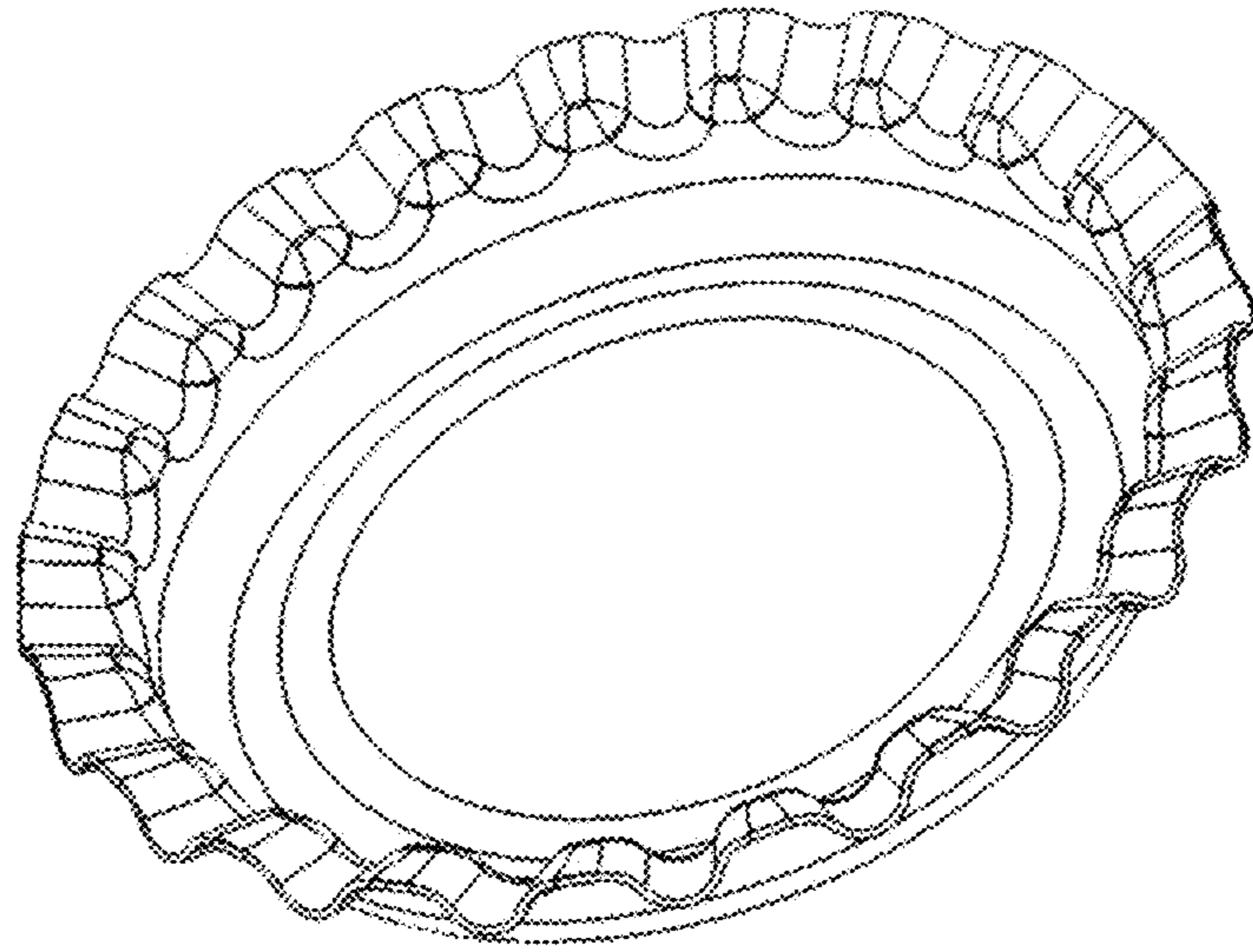


FIG. 4

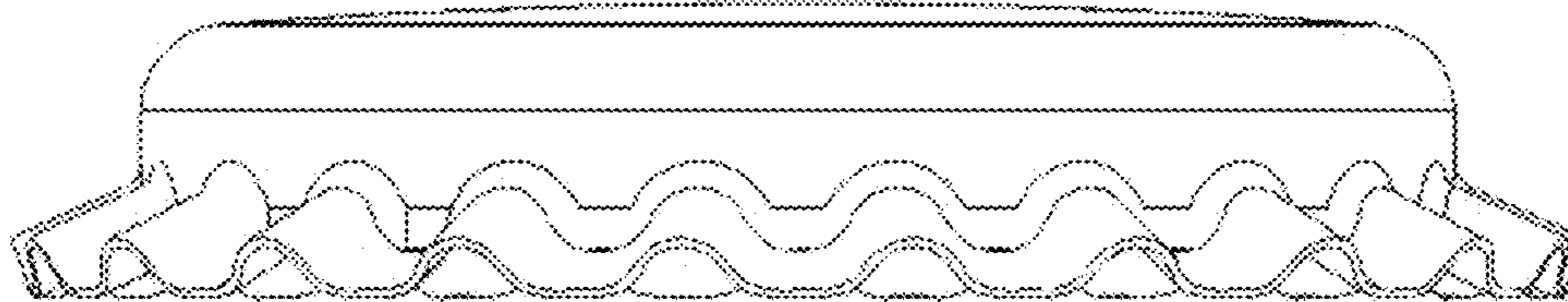


FIG. 5

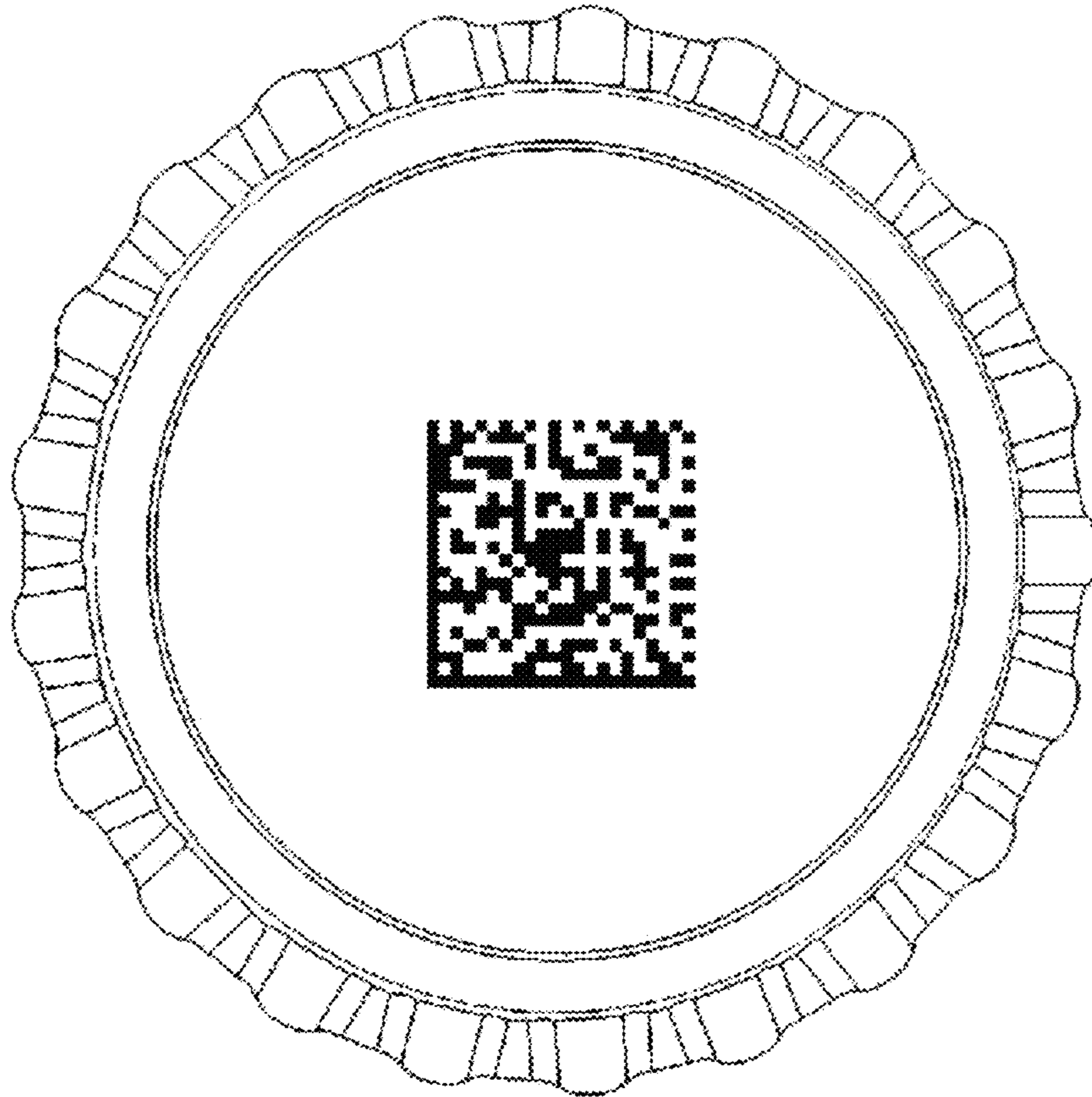


FIG. 6

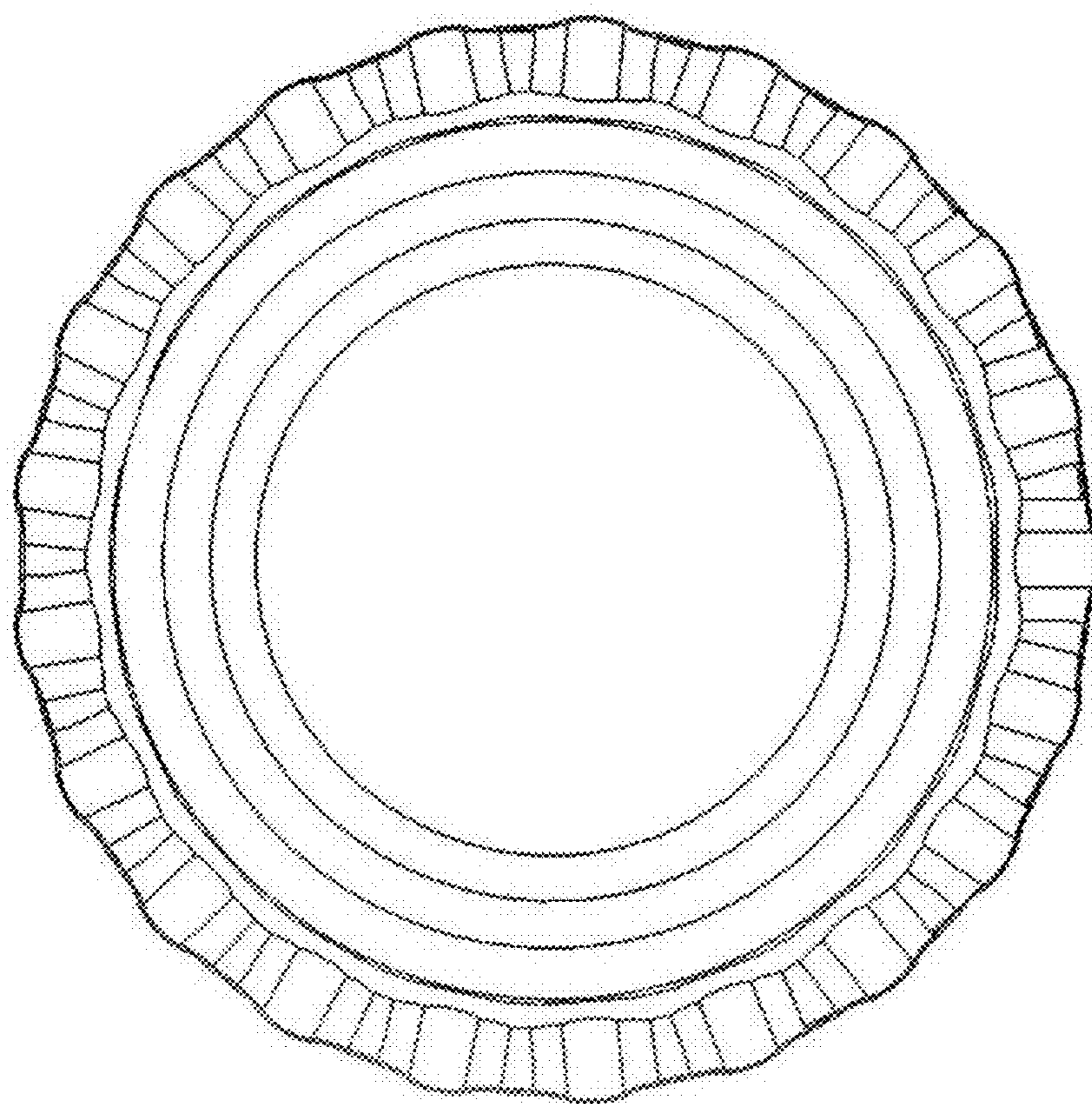


FIG. 7

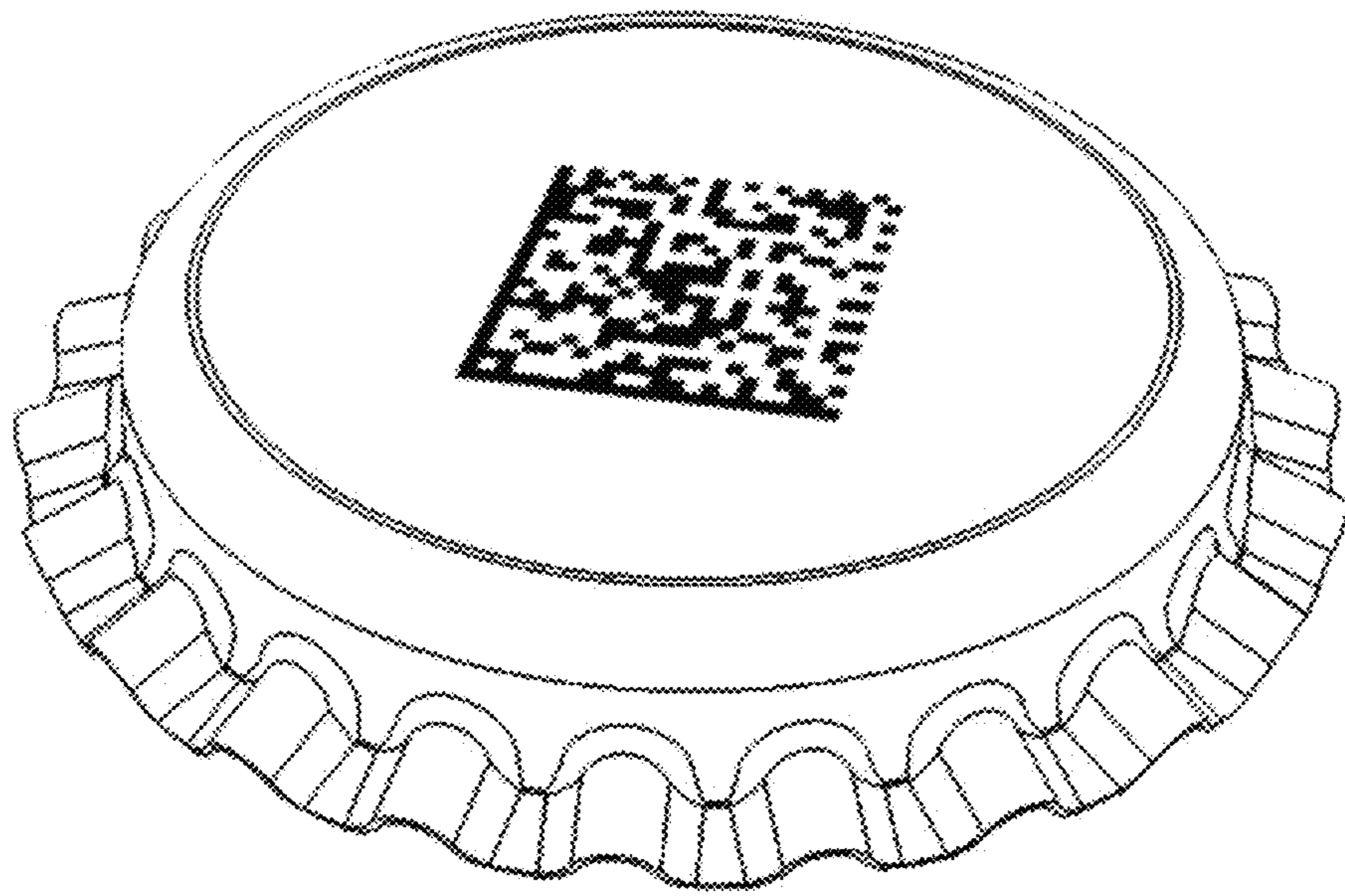


FIG. 8

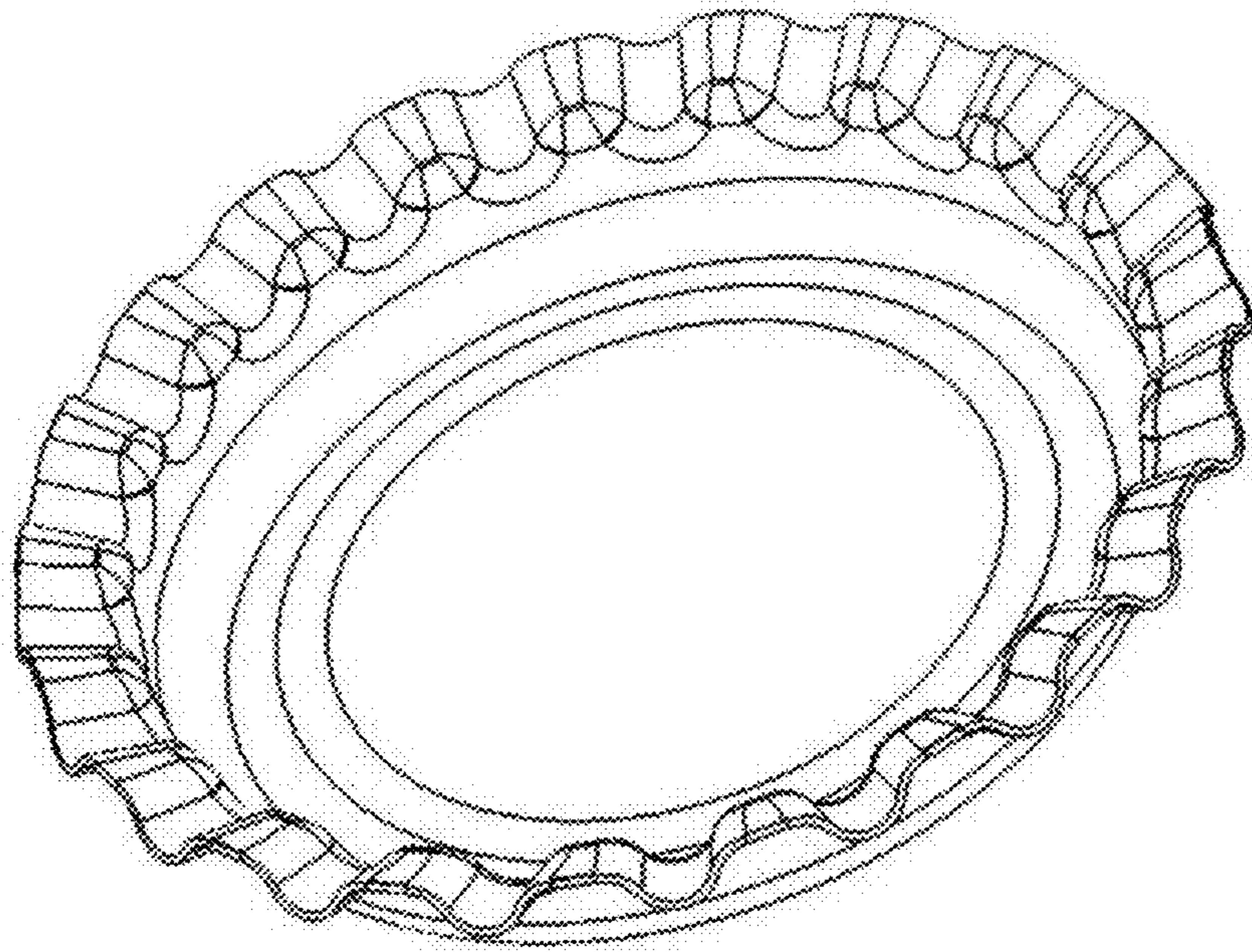


FIG. 9

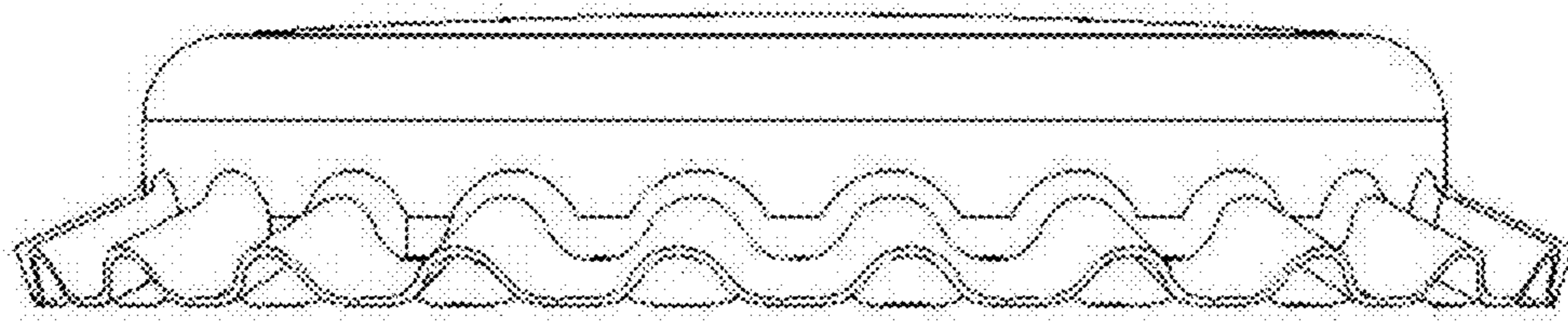


FIG. 10