



US00D848840S

(12) **United States Design Patent**  
**Fukumoto et al.**

(10) **Patent No.:** **US D848,840 S**

(45) **Date of Patent:** **\*\* May 21, 2019**

(54) **CONTAINER LID**

(71) Applicants: **Kikkoman Corporation**, Chiba (JP);  
**Yoshino Kogyosho Co., Ltd.**, Tokyo (JP)

(72) Inventors: **Masashi Fukumoto**, Noda (JP); **Denmi Kuwagaki**, Noda (JP); **Keisuke Miyairi**, Tokyo (JP); **Satoshi Sakamoto**, Tokyo (JP)

(73) Assignees: **Kikkoman Corporation**, Chiba (JP);  
**Yoshino Kogyosho Co., Ltd.**, Tokyo (JP)

(\*\*) Term: **15 Years**

(21) Appl. No.: **29/614,170**

(22) Filed: **Aug. 16, 2017**

**Related U.S. Application Data**

(62) Division of application No. 35/500,773, filed on Sep. 30, 2015 (U.S. filing date under 35 U.S.C. 384), and (Continued)

(30) **Foreign Application Priority Data**

Apr. 1, 2015 (JP) ..... 2015-007390  
Apr. 1, 2015 (JP) ..... 2015-007391  
(Continued)

(51) **LOC (11) Cl.** ..... **09-07**

(52) **U.S. Cl.**  
USPC ..... **D9/447**

(58) **Field of Classification Search**  
USPC ..... D9/447, 552, 697, 560, 708, 529, 565,  
D9/449, 436, 563, 559, 500, 503, 575,  
(Continued)

(56) **References Cited**

U.S. PATENT DOCUMENTS

3,820,692 A \* 6/1974 Swett et al. .... B65D 47/0895  
222/547  
D298,014 S \* 10/1988 McGlyn ..... D9/446  
(Continued)

*Primary Examiner* — Rhea Shields

(74) *Attorney, Agent, or Firm* — Sterne, Kessler, Goldstein & Fox P.L.L.C.

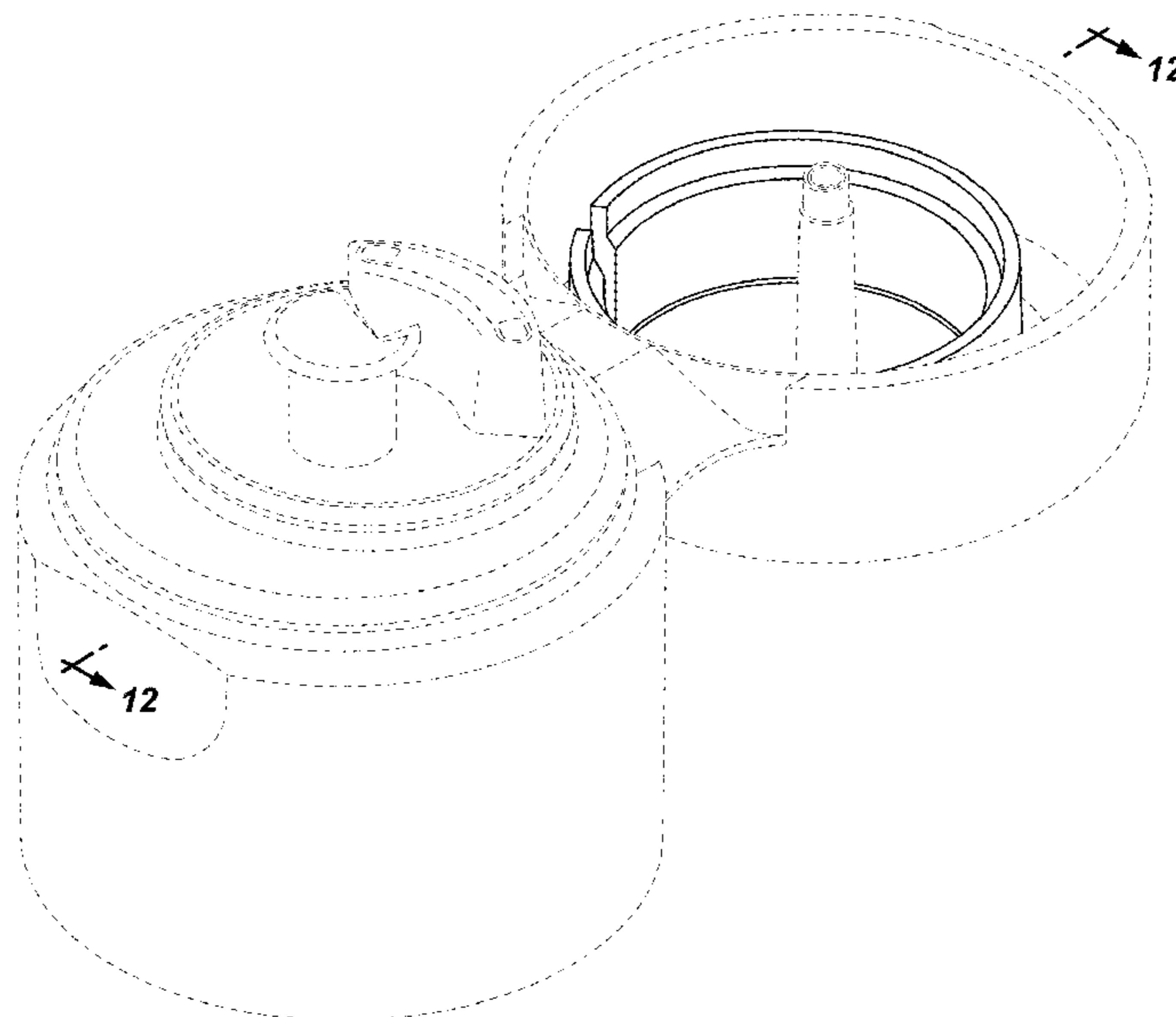
(57) **CLAIM**

The ornamental design for a container lid, as shown and described.

**DESCRIPTION**

FIG. 1 is a front view of a container lid showing the claimed design;  
FIG. 2 is a rear view thereof;  
FIG. 3 is a top view thereof;  
FIG. 4 is a bottom side view thereof;  
FIG. 5 is a right side view thereof;  
FIG. 6 is a top front perspective view thereof;  
FIG. 7 is an enlarged front view of the thereof;  
FIG. 8 is an enlarged rear view thereof;  
FIG. 9 is an enlarged top view thereof;  
FIG. 10 is an enlarged right side view thereof;  
FIG. 11 is an enlarged top front perspective view thereof;  
and,  
FIG. 12 is a cross-sectional view thereof, taken along the line 12-12' of FIG. 10.  
The left side view is omitted in each design since the left side view is symmetrical to a right side view.  
The broken lines in the figures show portions of the container lid and environment that form no part of the claimed design.

**1 Claim, 12 Drawing Sheets**



**Related U.S. Application Data**

having an international filing date of Sep. 30, 2015,  
now Pat. No. Des. 798,712.

(30) **Foreign Application Priority Data**

Apr. 1, 2015 (JP) ..... 2015-007392  
Apr. 1, 2015 (JP) ..... 2015-007393

(58) **Field of Classification Search**

USPC ..... D9/558, 452, 439, 435, 504, 434, 446;  
D7/392.1, 377, 510, 700; 222/547, 95,  
222/105; D23/366; 220/256.1  
CPC ..... B65D 77/06; B65D 83/0061;  
B65D 47/0895; B65D 1/02; B65D  
47/0838; B65D 41/04; B65D 35/14; A61J  
1/1418

See application file for complete search history.

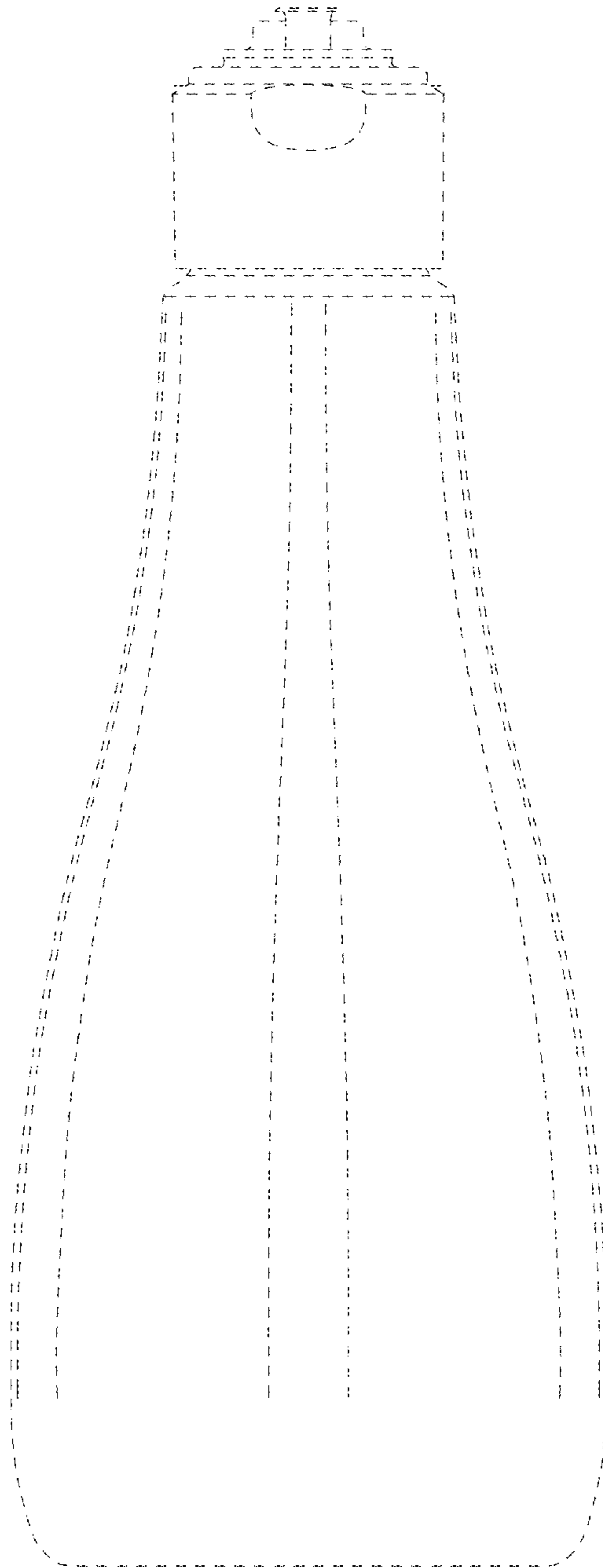
(56) **References Cited**

U.S. PATENT DOCUMENTS

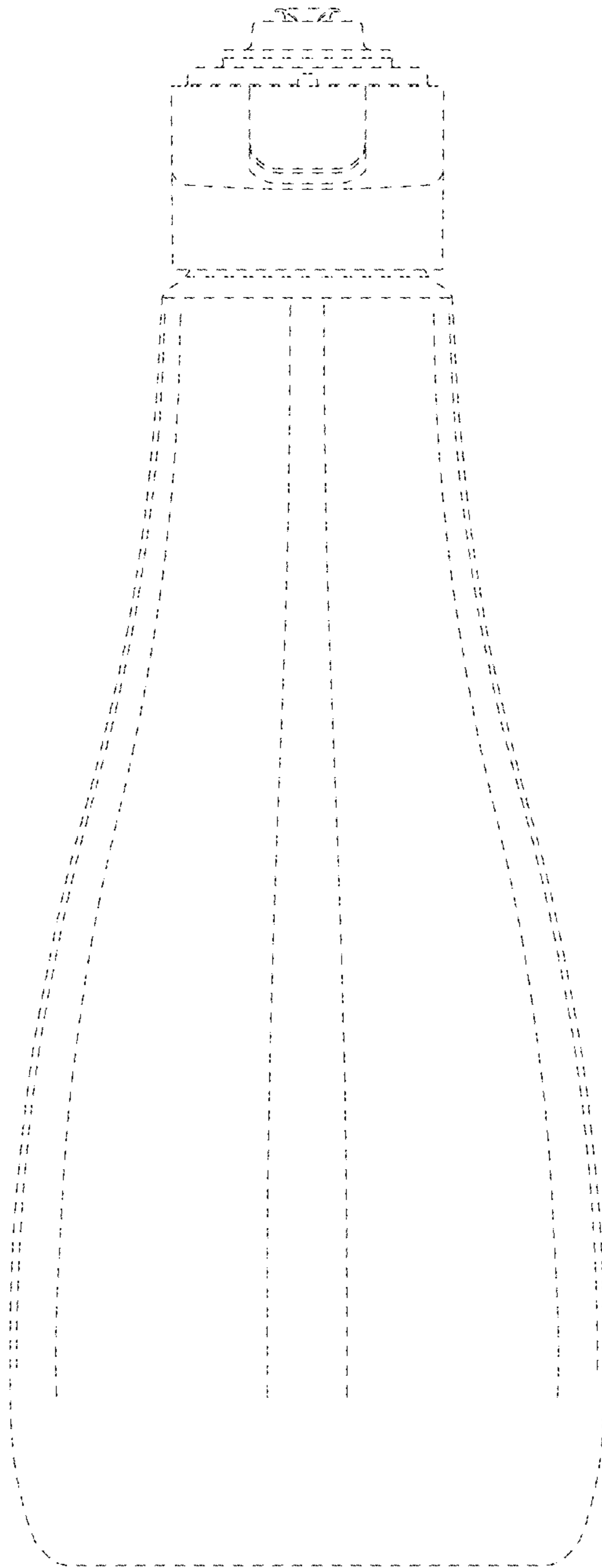
D402,202 S \* 12/1998 Sherman ..... D9/446  
D585,278 S \* 1/2009 Wilson ..... D9/449  
D614,488 S \* 4/2010 Kallenbach ..... D9/449  
D629,685 S \* 12/2010 Brannon ..... D9/446  
D672,241 S \* 12/2012 Sawicki ..... D9/449  
D676,333 S \* 2/2013 Fracasso ..... D9/697  
D680,434 S \* 4/2013 Fracasso ..... D9/447

D688,554 S \* 8/2013 Fracasso ..... D9/447  
D701,765 S \* 4/2014 Fukumoto ..... D9/447  
D711,230 S \* 8/2014 den Boer ..... D9/449  
D713,723 S \* 9/2014 den Boer ..... D9/449  
D713,724 S \* 9/2014 den Boer ..... D9/449  
D722,267 S \* 2/2015 Miranda De Araujo ..... D9/449  
D740,678 S \* 10/2015 Fukumoto ..... D9/559  
9,315,313 B2 \* 4/2016 Kuwagaki ..... B65D 83/0061  
D761,058 S \* 7/2016 Ou ..... D7/510  
D775,952 S \* 1/2017 Kim ..... D9/452  
D779,940 S \* 2/2017 Kim ..... D9/449  
D780,579 S \* 3/2017 Kim ..... D9/449  
D782,310 S \* 3/2017 Li ..... D9/434  
D798,712 S \* 10/2017 Fukumoto ..... D9/447  
D807,171 S \* 1/2018 Miller ..... D9/435  
D808,721 S \* 1/2018 Soni ..... D7/510  
D814,931 S \* 4/2018 Alima ..... D9/504  
D817,169 S \* 5/2018 Dzikowicz ..... D9/449  
D818,309 S \* 5/2018 Jasso Gomez ..... D7/392.1  
D820,677 S \* 6/2018 D'Anglade ..... D9/435  
D823,115 S \* 7/2018 Walker ..... D9/447  
D828,158 S \* 9/2018 Manis ..... D9/436  
D828,718 S \* 9/2018 Ksiazek ..... D7/392.1  
D829,065 S \* 9/2018 Marantis ..... D7/700  
2010/0219186 A1 \* 9/2010 Kuwagaki ..... B65D 47/0838  
220/256.1  
2014/0144938 A1 \* 5/2014 Kakuta ..... B65D 35/14  
222/105  
2018/0016085 A1 \* 1/2018 Kitora ..... B65D 1/02  
2018/0251274 A1 \* 9/2018 Hashimoto ..... B65D 41/04

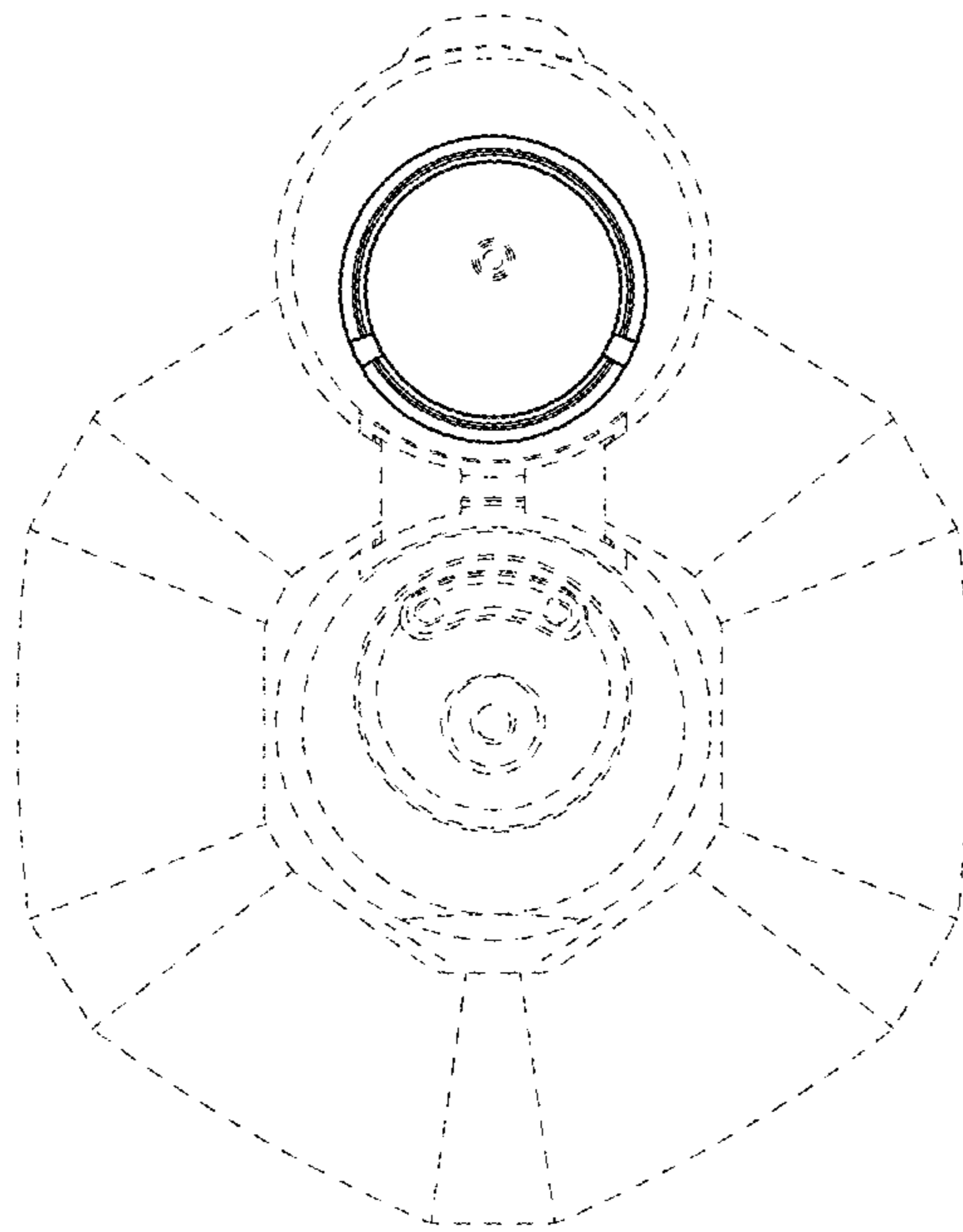
\* cited by examiner



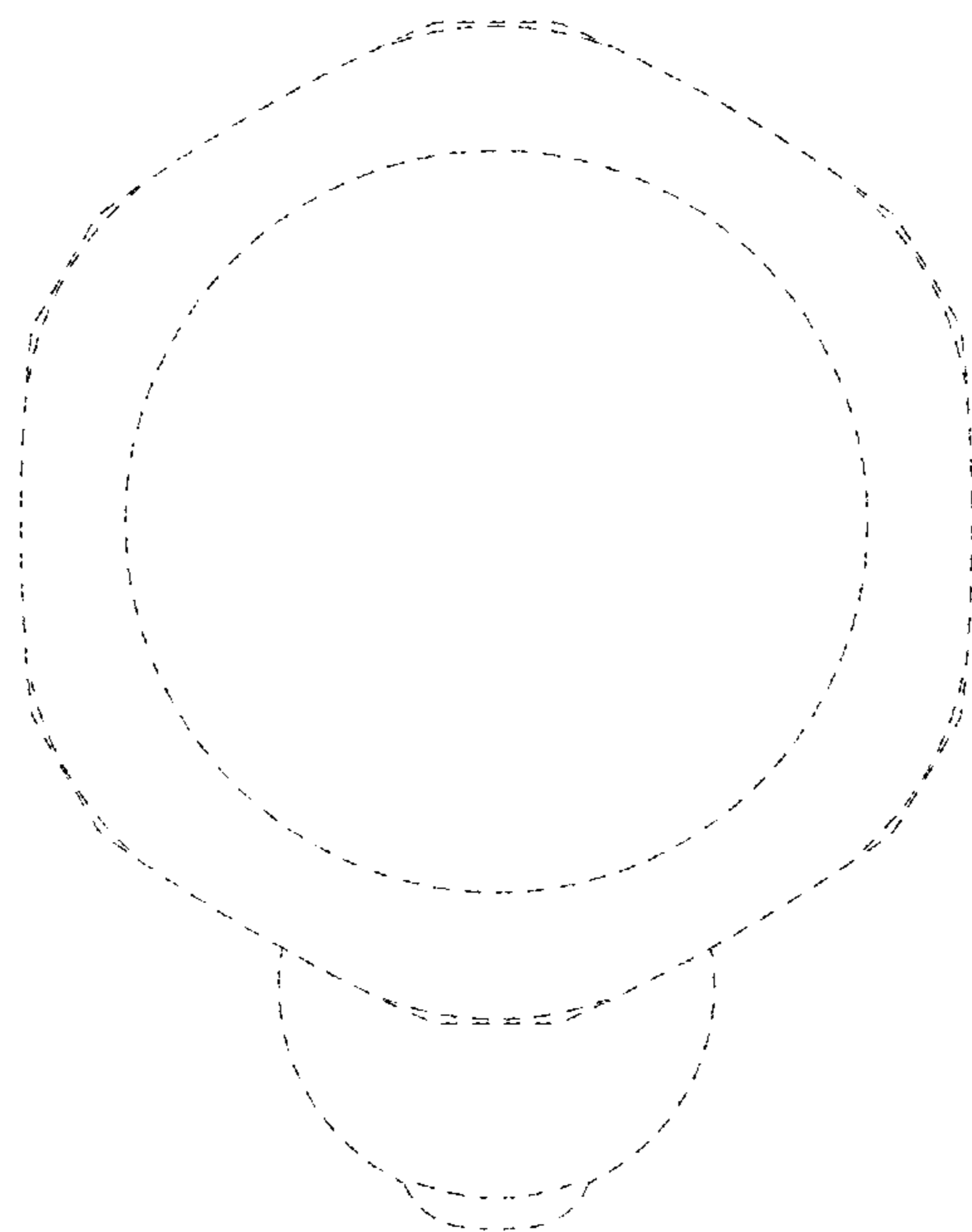
**FIG. 1**



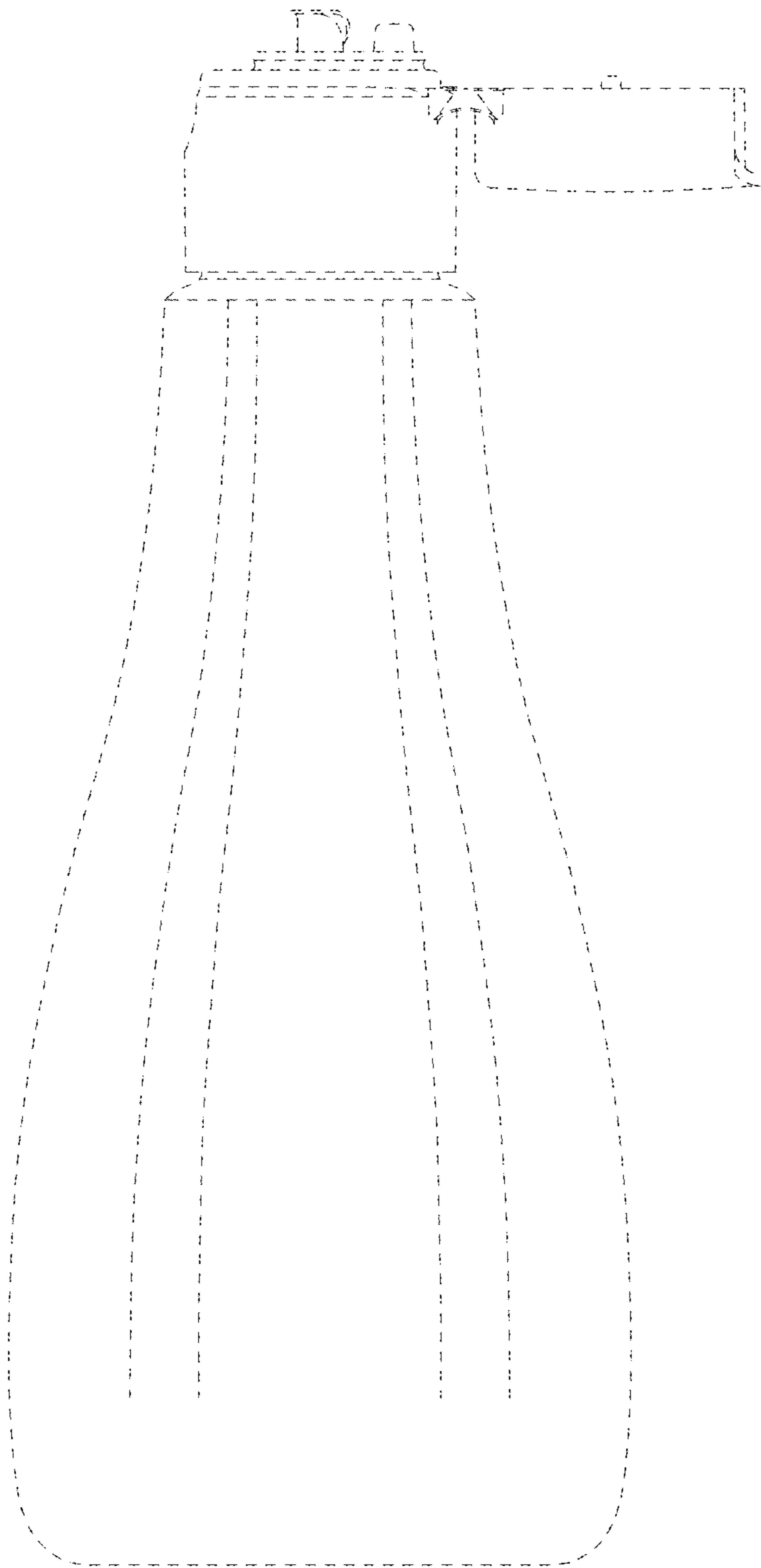
**FIG. 2**



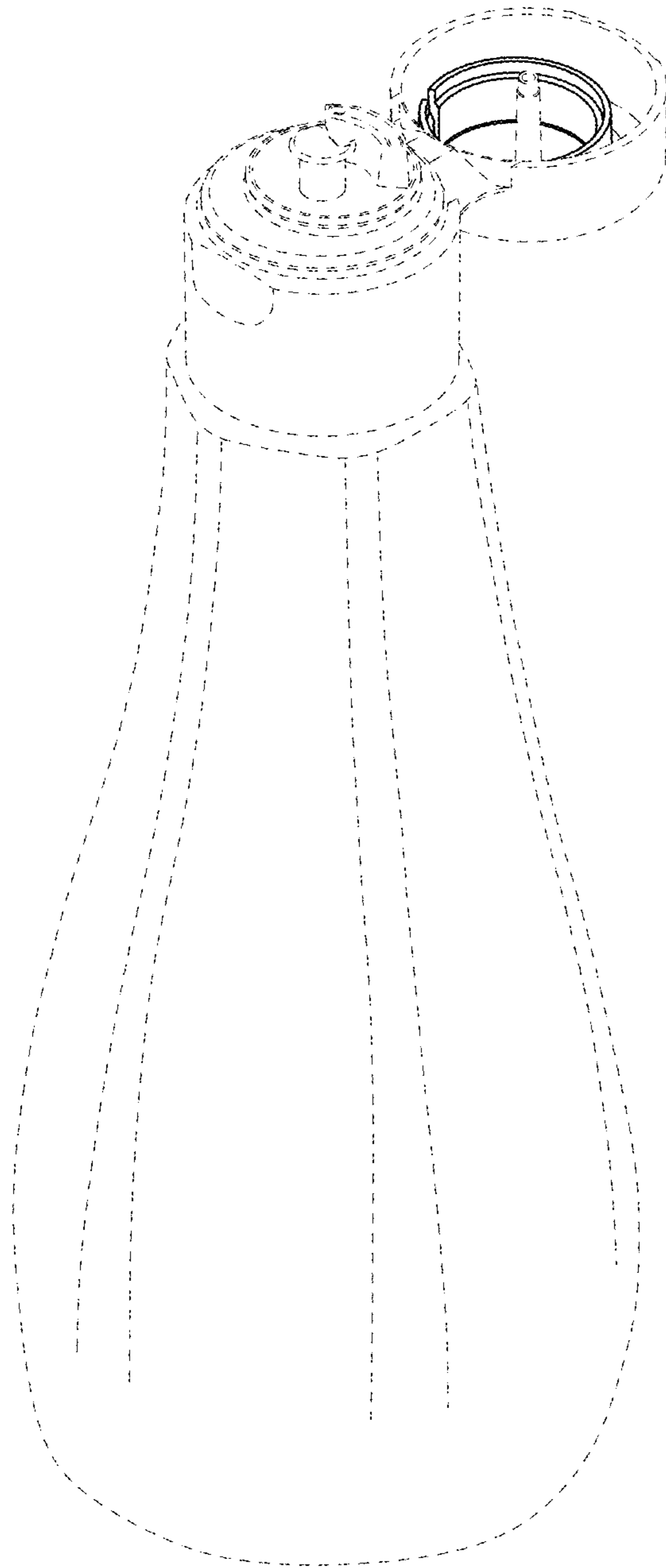
**FIG. 3**



**FIG. 4**

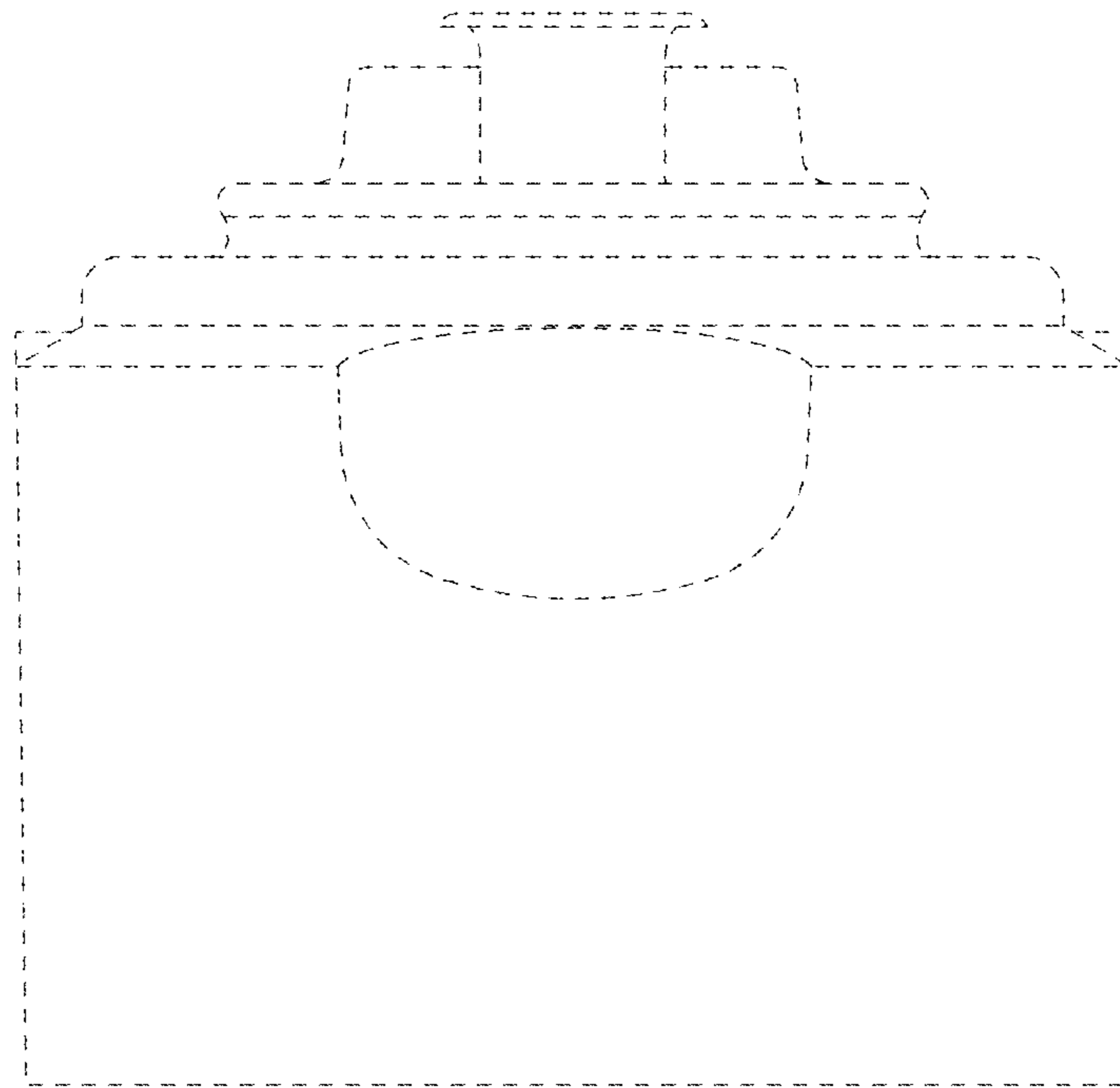


**FIG. 5**

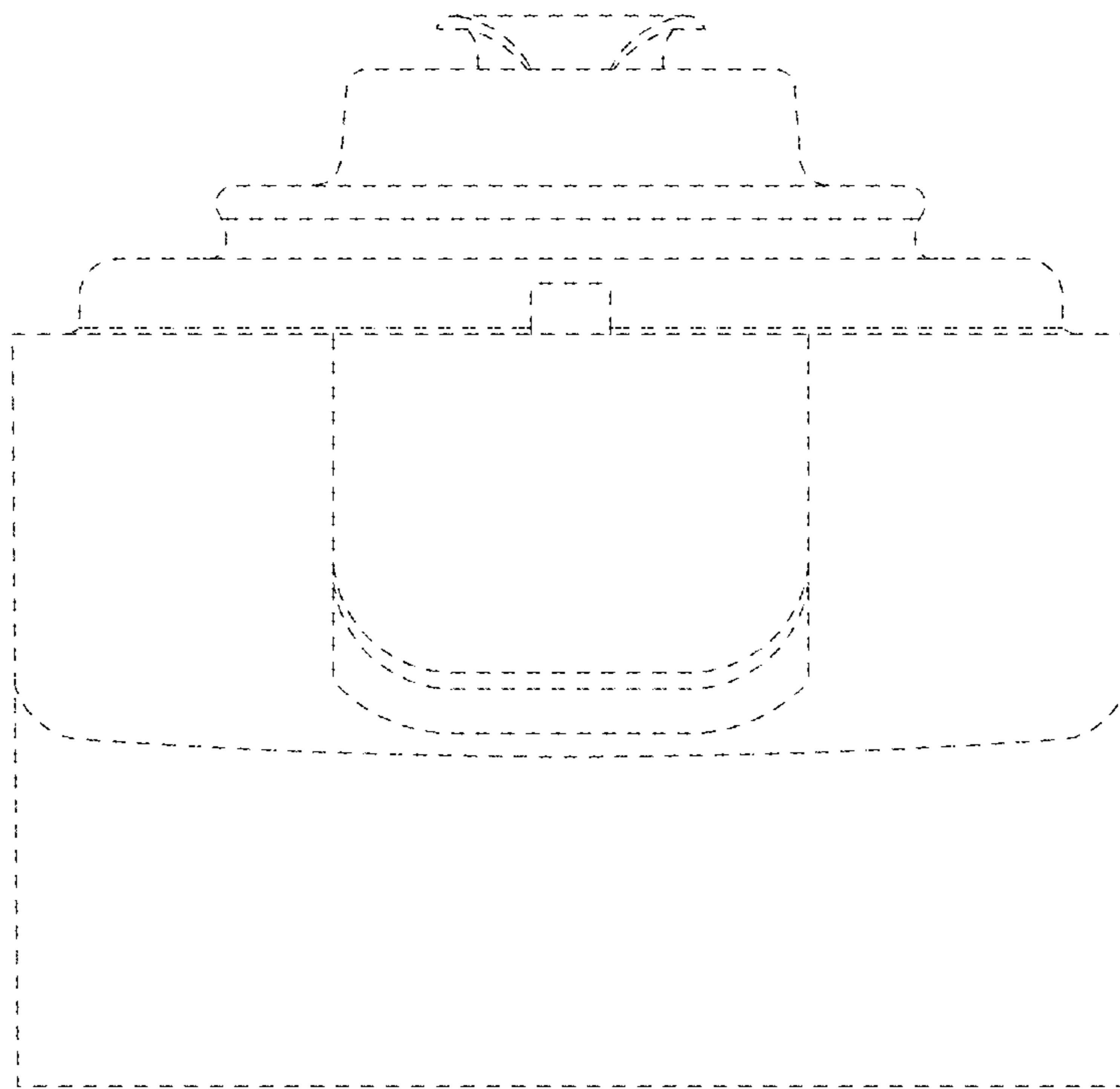


**FIG. 6**





**FIG. 7**



**FIG. 8**

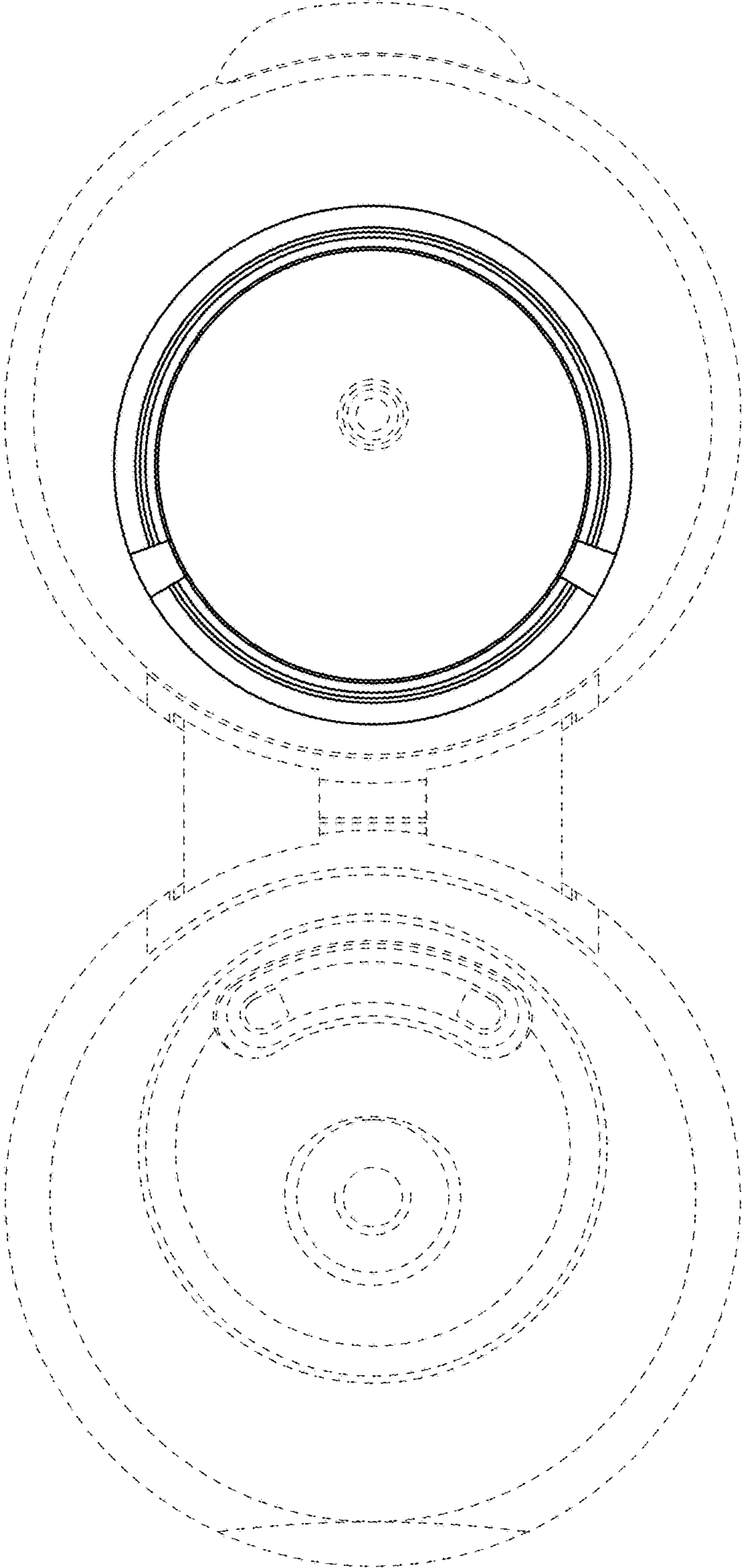
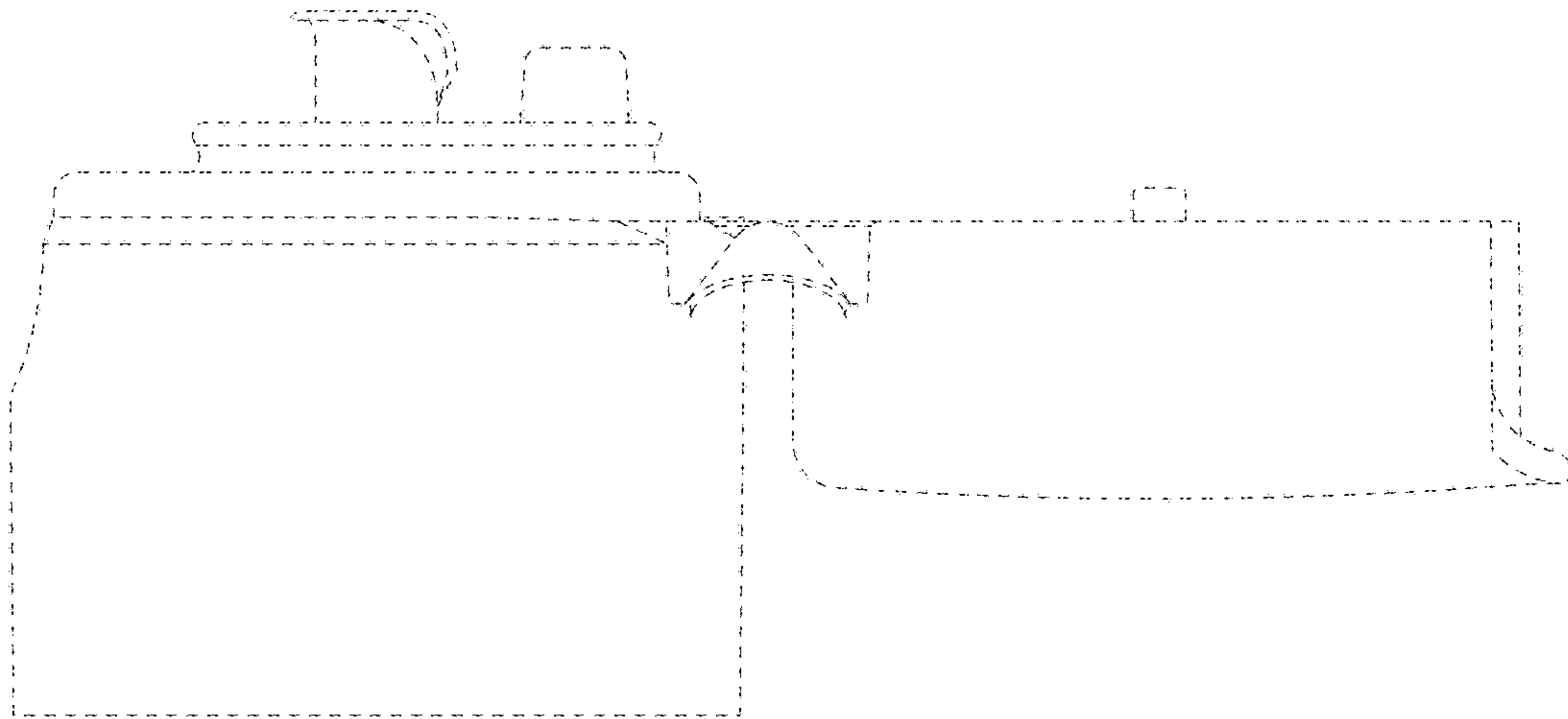


FIG. 9



**FIG. 10**

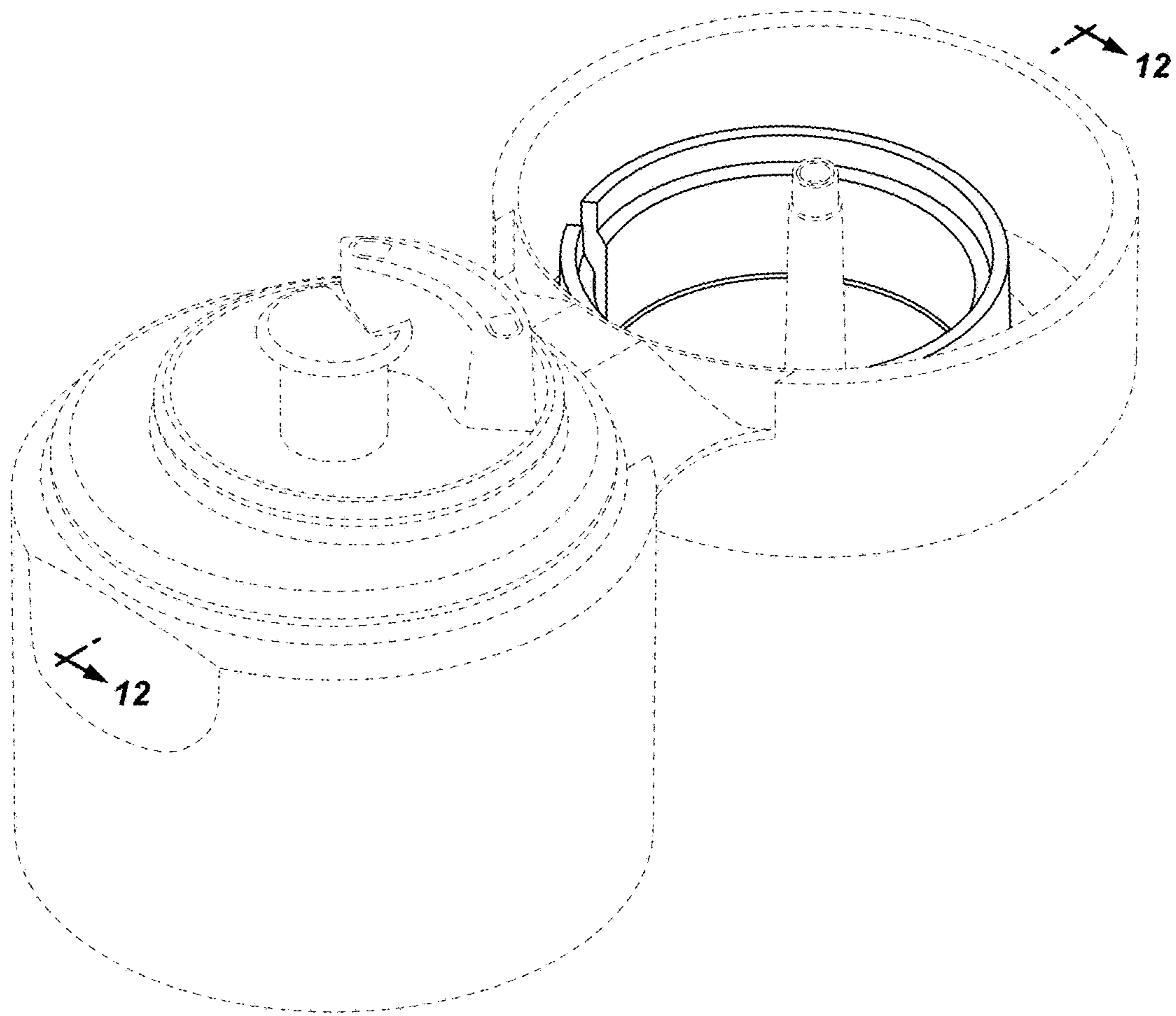


FIG. 11

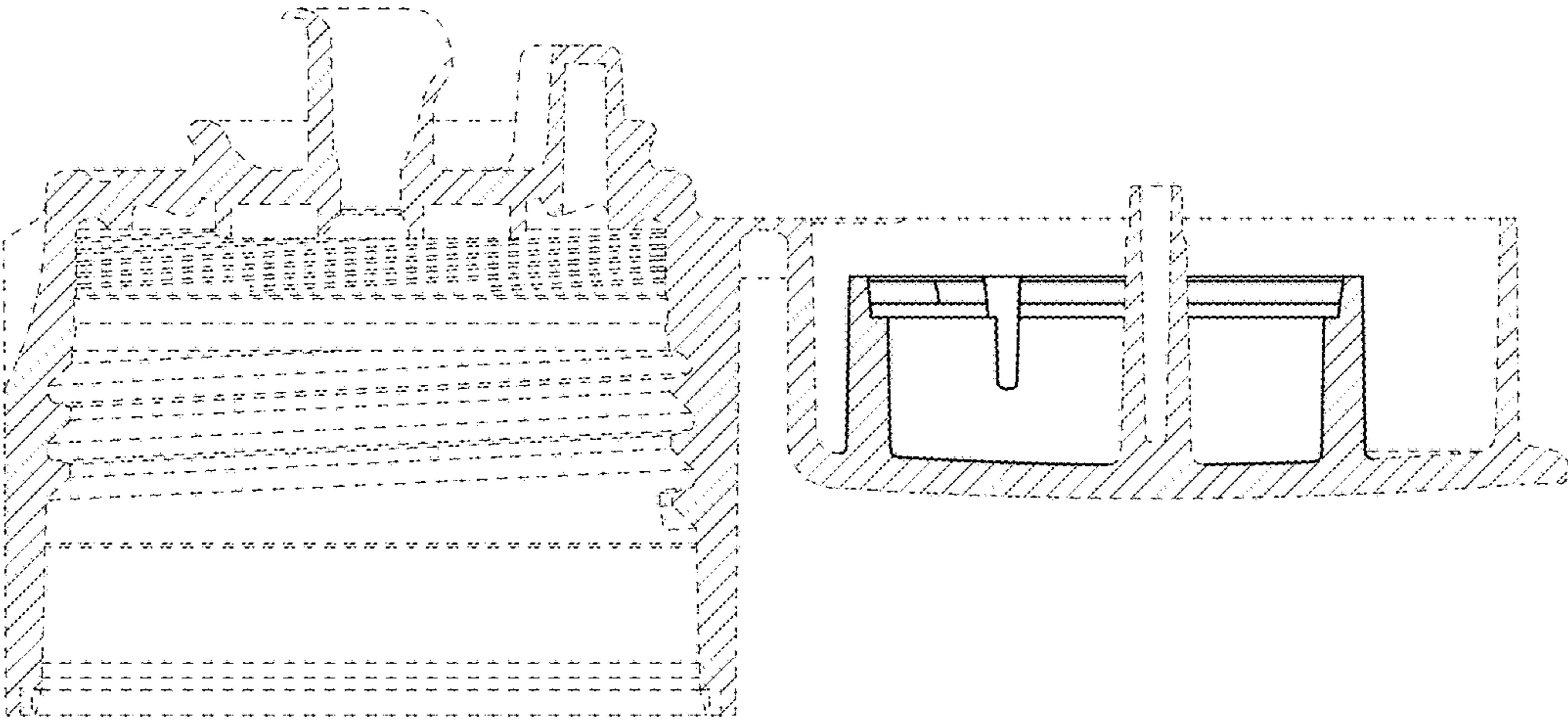


FIG. 12