



US00D848836S

(12) **United States Design Patent** (10) **Patent No.:** **US D848,836 S**
Fukumoto et al. (45) **Date of Patent:** **** May 21, 2019**

(54) **CONTAINER LID**

(71) Applicants: **Kikkoman Corporation**, Chiba (JP);
Yoshino Kogyosho Co., Ltd., Tokyo (JP)

(72) Inventors: **Masashi Fukumoto**, Noda (JP); **Denmi Kuwagaki**, Noda (JP); **Keisuke Miyairi**, Tokyo (JP); **Satoshi Sakamoto**, Tokyo (JP)

(73) Assignees: **Kikkoman Corporation**, Chiba (JP);
Yoshino Kogyosho Co., Ltd., Tokyo (JP)

(**) Term: **15 Years**

(21) Appl. No.: **29/612,879**

(22) Filed: **Aug. 4, 2017**

(30) **Foreign Application Priority Data**

Apr. 1, 2015	(JP)	2015-007390
Apr. 1, 2015	(JP)	2015-007391
Apr. 1, 2015	(JP)	2015-007392
Apr. 1, 2015	(JP)	2015-007393

(51) **LOC (11) Cl.** **09-07**

(52) **U.S. Cl.**
USPC **D9/434**

(58) **Field of Classification Search**
USPC D9/447, 552, 697, 560, 708, 529, 565,
D9/449, 436, 563, 559, 500, 503, 575,
D9/558, 452, 439, 435, 504, 434, 446;
D7/392.1, 377, 510, 700; 222/547, 95,
222/105; D23/366; 220/256.1
CPC B65D 77/06; B65D 83/0061; B65D
47/0895; B65D 1/02; B65D 47/0838;
B65D 41/04; B65D 35/14; A61J 1/1418
See application file for complete search history.

(56) **References Cited**

U.S. PATENT DOCUMENTS

3,820,692	A *	6/1974	Swett et al.	B65D 47/0895
				222/547
D298,014	S *	10/1988	McGlyn	D9/446
D402,202	S *	12/1998	Sherman	D9/446
D585,278	S *	1/2009	Wilson	D9/449
D614,488	S *	4/2010	Kallenbach	D9/449
D629,685	S *	12/2010	Brannon	D9/446
D672,241	S *	12/2012	Sawicki	D9/449

(Continued)

Primary Examiner — Rhea Shields

(74) *Attorney, Agent, or Firm* — Sterne, Kessler,
Goldstein & Fox P.L.L.C.

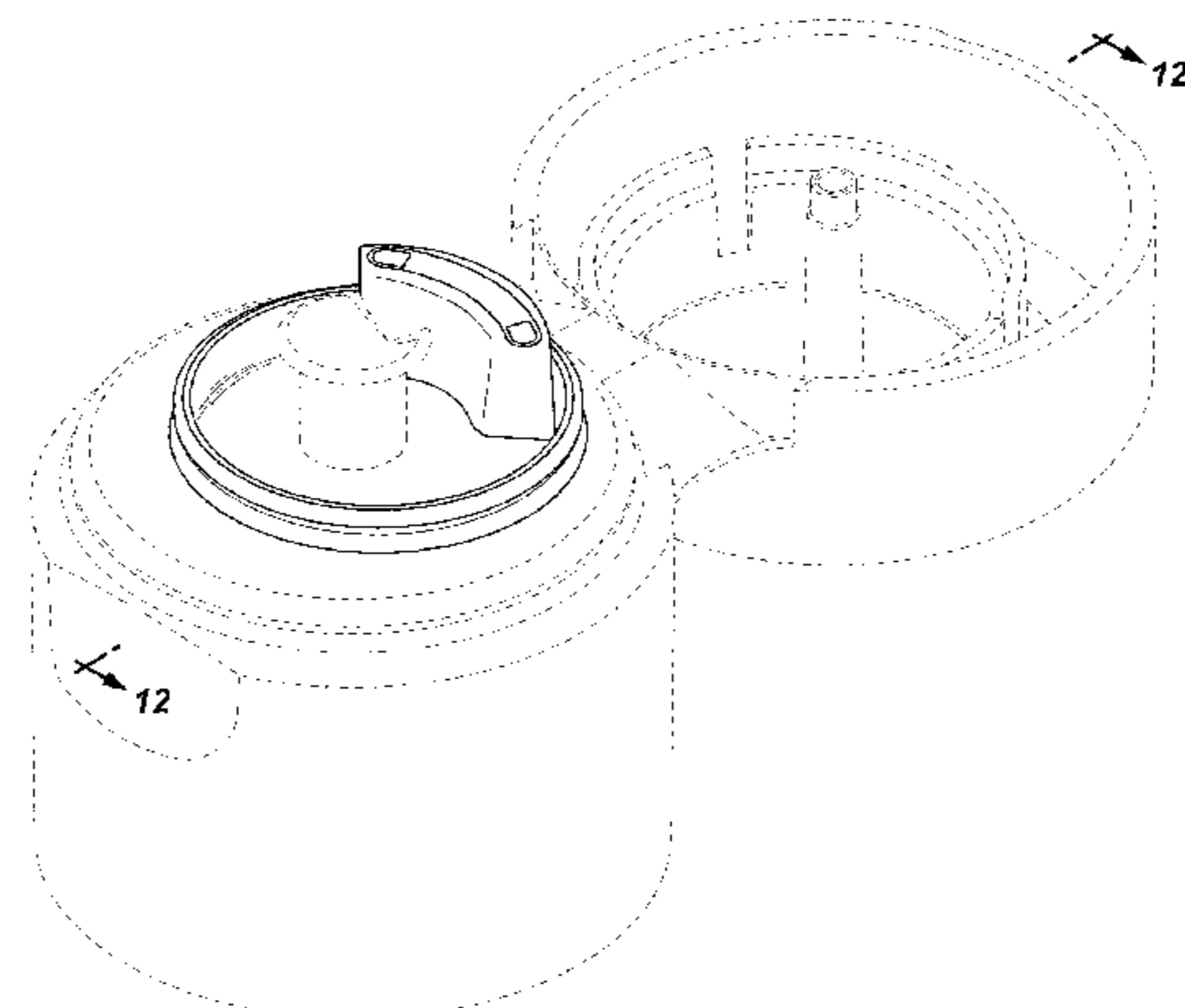
(57) **CLAIM**

The ornamental design for a container lid, as shown and described.

DESCRIPTION

FIG. 1 is a front view of a container lid showing the claimed design;
 FIG. 2 is a rear view thereof;
 FIG. 3 is a top view thereof;
 FIG. 4 is a bottom side view thereof;
 FIG. 5 is a right side view thereof;
 FIG. 6 is a top front perspective view thereof;
 FIG. 7 is an enlarged front view of the thereof;
 FIG. 8 is an enlarged rear view thereof;
 FIG. 9 is an enlarged top view thereof;
 FIG. 10 is an enlarged right side view thereof;
 FIG. 11 is an enlarged top front perspective view thereof;
 and,
 FIG. 12 is a cross-sectional view thereof, taken along the line 12-12' of FIG. 10.
 The left side view is omitted in each design since the left side view is symmetrical to a right side view.

(Continued)



The broken lines in the figures show portions of the container lid and environment that form no part of the claimed design.

1 Claim, 12 Drawing Sheets

(56)

References Cited

U.S. PATENT DOCUMENTS

D676,333 S * 2/2013 Fracasso D9/697
 D680,434 S * 4/2013 Fracasso D9/447
 D688,554 S * 8/2013 Fracasso D9/447
 D701,765 S * 4/2014 Fukumoto D9/447
 D711,230 S * 8/2014 den Boer D9/449
 D713,723 S * 9/2014 den Boer D9/449
 D713,724 S * 9/2014 den Boer D9/449
 D722,267 S * 2/2015 Miranda De Araujo D9/449
 D740,678 S * 10/2015 Fukumoto D9/559
 9,315,313 B2 * 4/2016 Kuwagaki B65D 83/0061

D761,058 S * 7/2016 Ou D7/510
 D775,952 S * 1/2017 Kim D9/452
 D779,940 S * 2/2017 Kim D9/449
 D780,579 S * 3/2017 Kim D9/449
 D782,310 S * 3/2017 Li D9/434
 D798,712 S * 10/2017 Fukumoto D9/447
 D807,171 S * 1/2018 Miller D9/435
 D808,721 S * 1/2018 Soni D7/510
 D814,931 S * 4/2018 Alima D9/504
 D817,169 S * 5/2018 Dzikowicz D9/449
 D818,309 S * 5/2018 Jasso Gomez D7/392.1
 D820,677 S * 6/2018 D'Anglade D9/435
 D823,115 S * 7/2018 Walker D9/447
 D828,158 S * 9/2018 Manis D9/436
 D828,718 S * 9/2018 Ksiazek D7/392.1
 D829,065 S * 9/2018 Marantis D7/700
 2010/0219186 A1 * 9/2010 Kuwagaki B65D 47/0838
 2014/0144938 A1 * 5/2014 Kakuta B65D 35/14
 2018/0016085 A1 * 1/2018 Kitora B65D 1/02
 2018/0251274 A1 * 9/2018 Hashimoto B65D 41/04

* cited by examiner

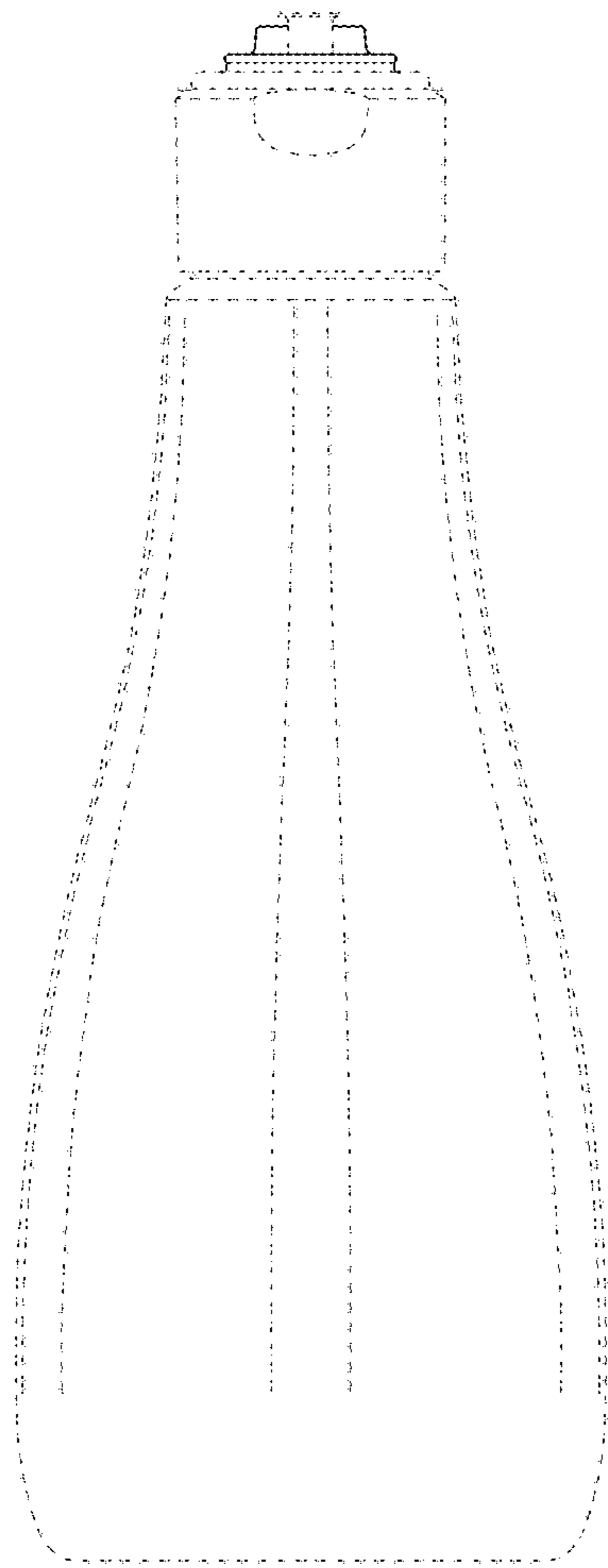


FIG. 1

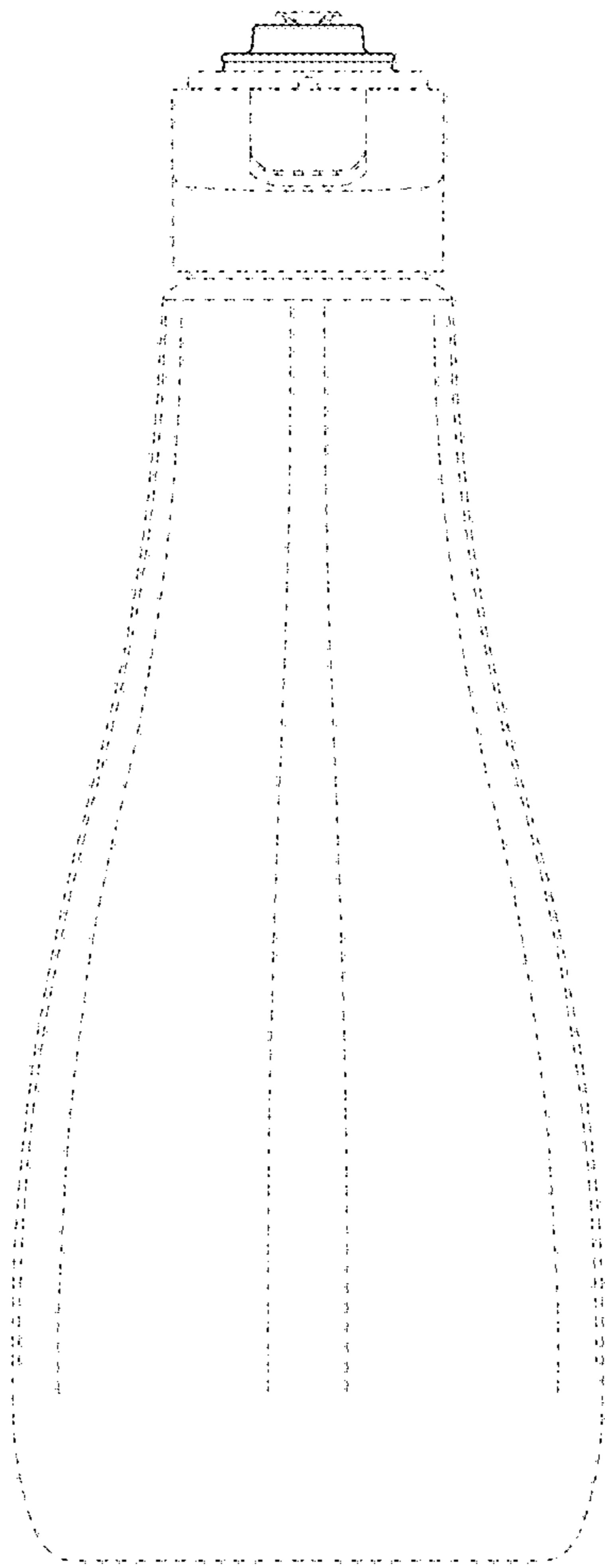


FIG. 2

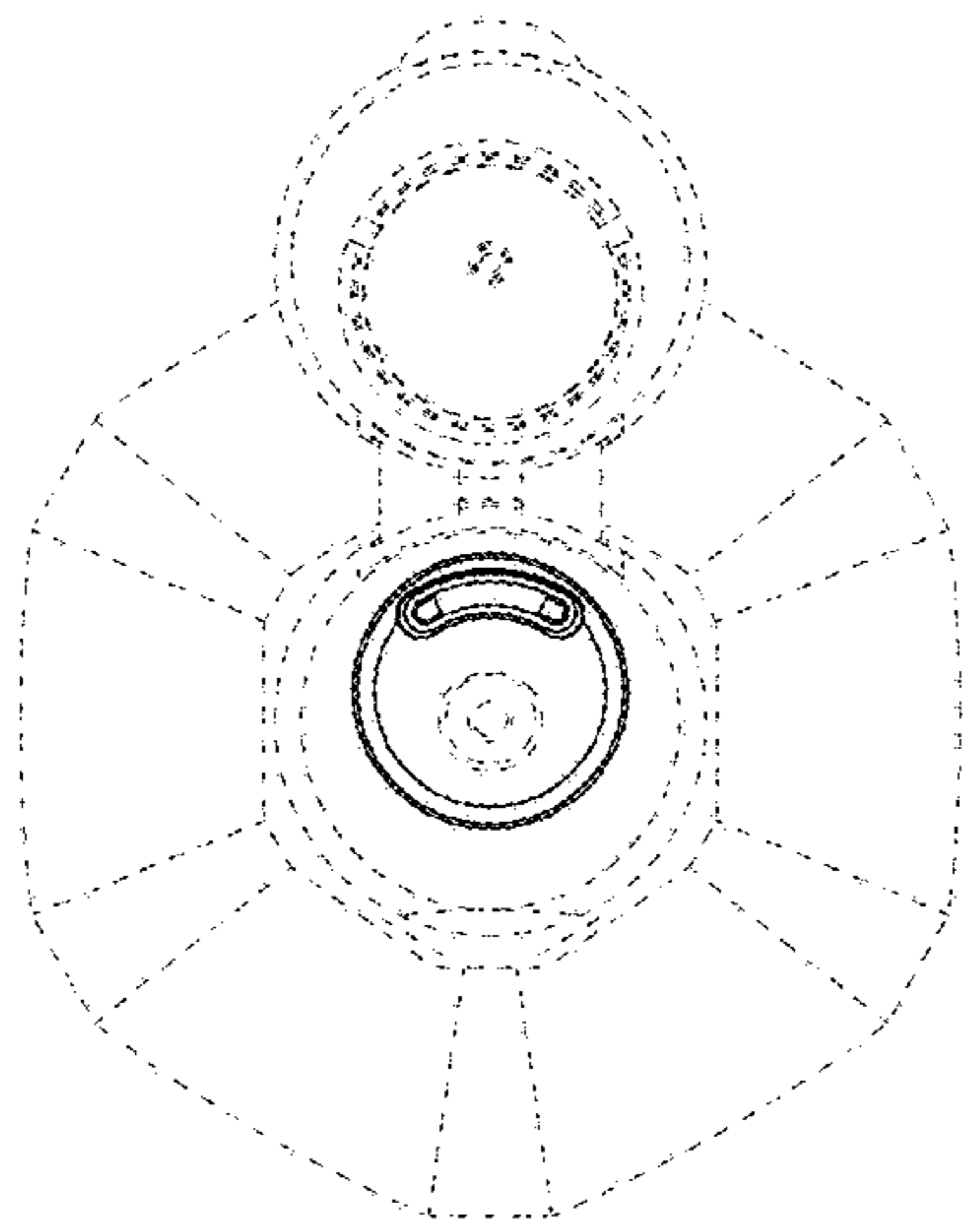


FIG. 3

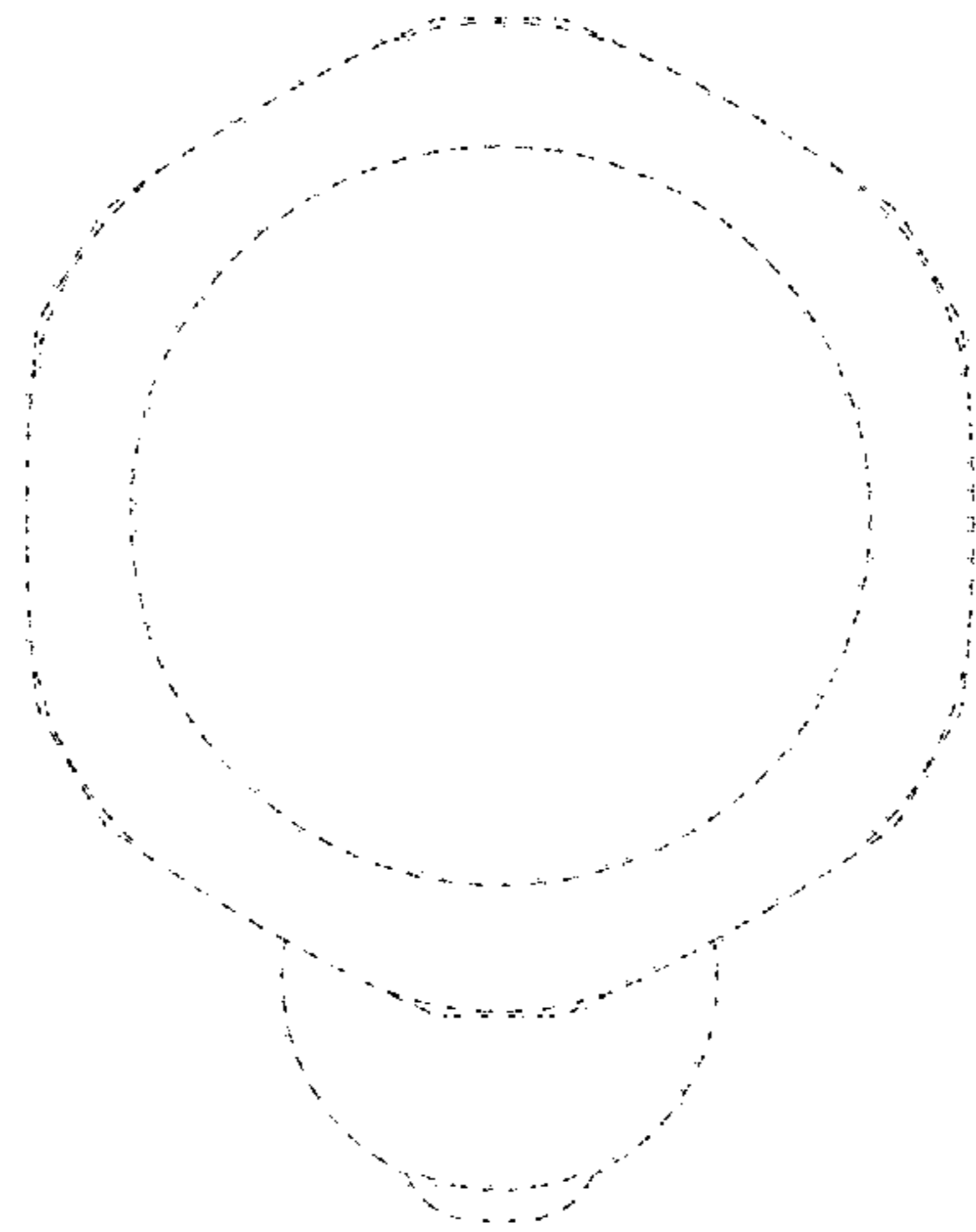


FIG. 4

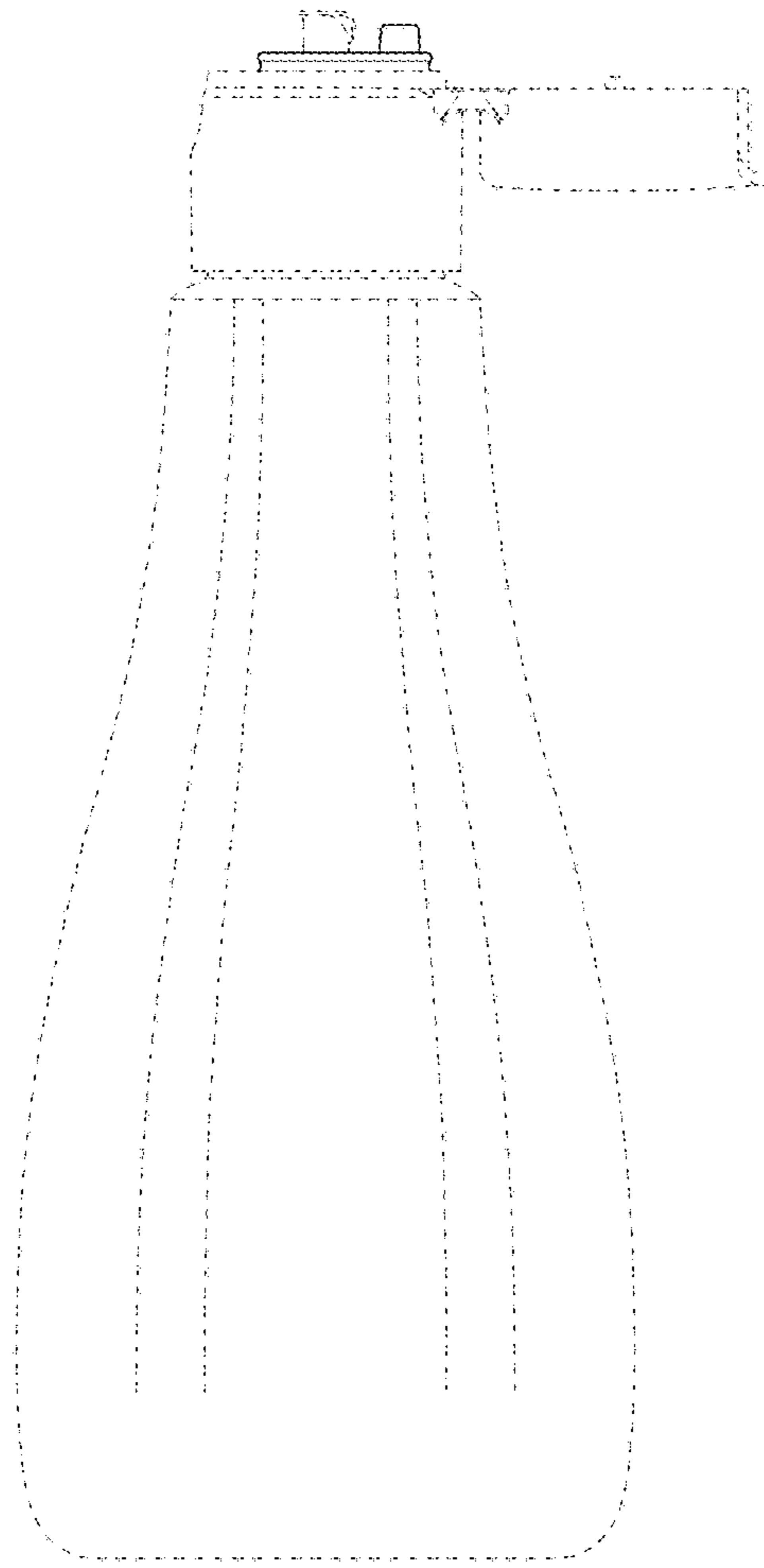


FIG. 5

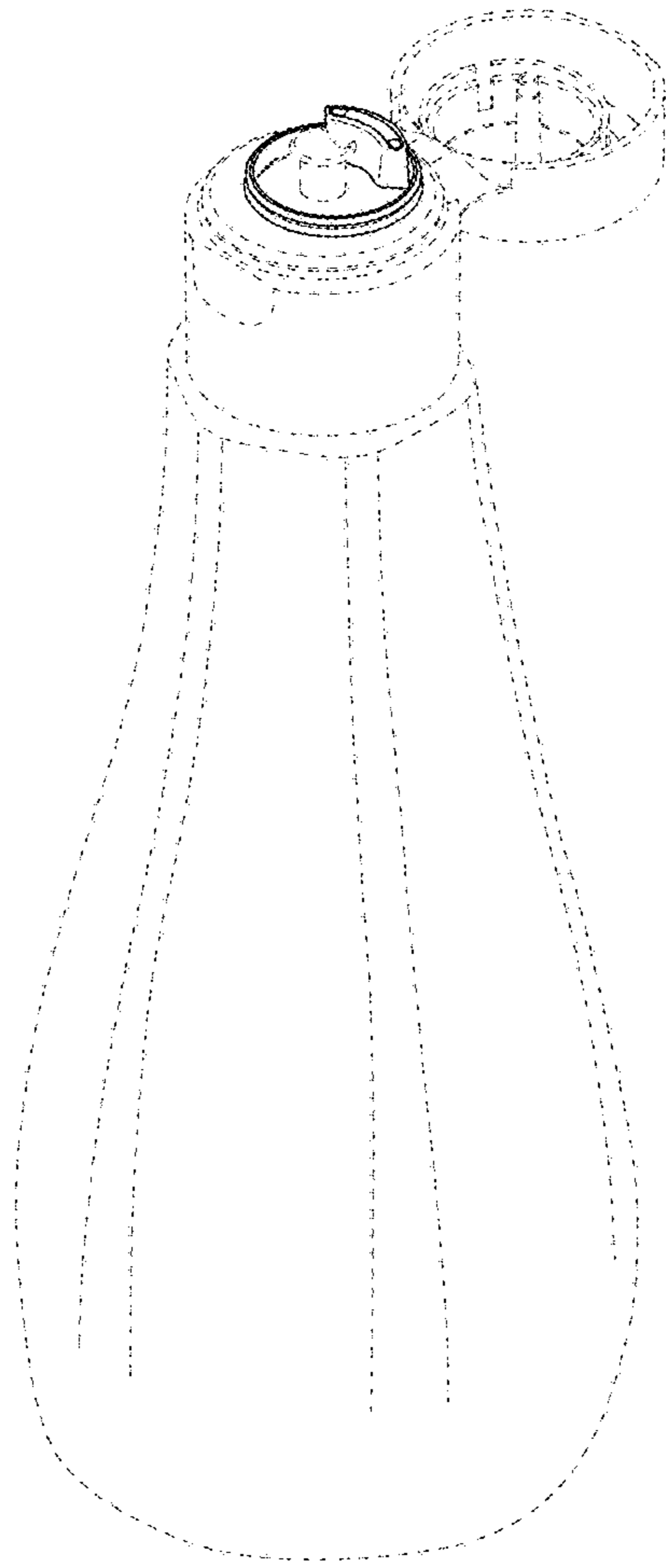


FIG. 6

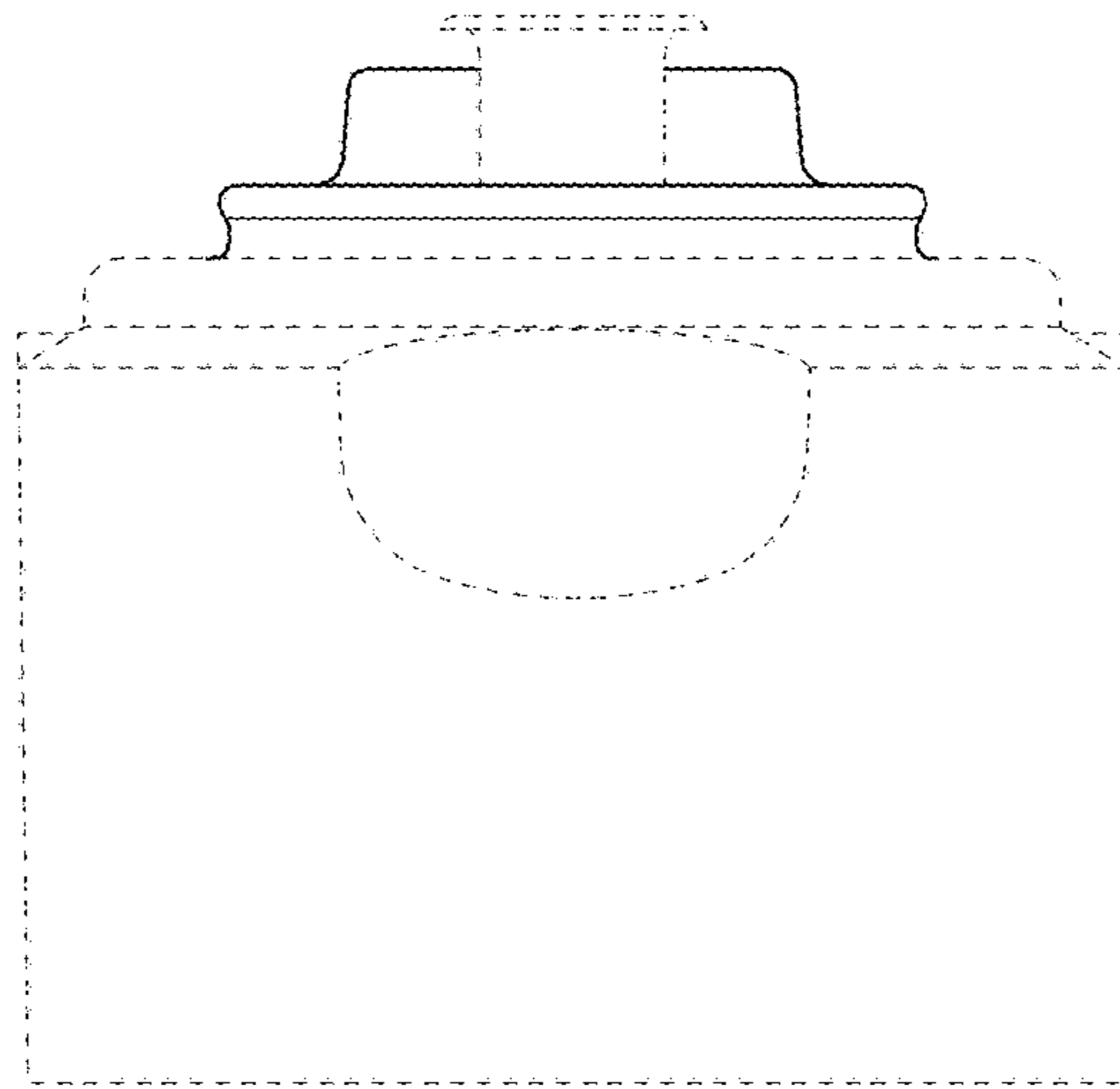


FIG. 7

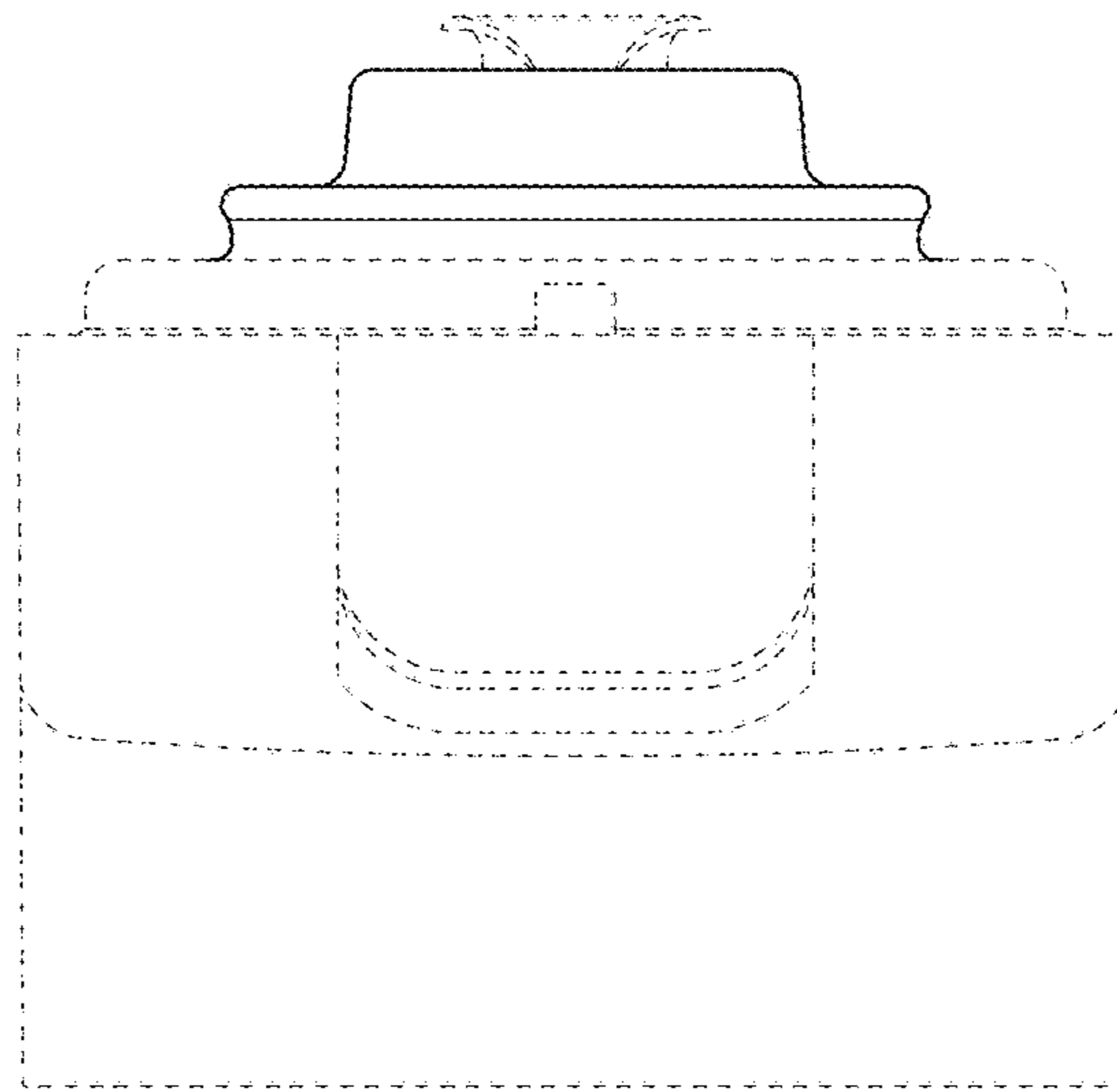


FIG. 8

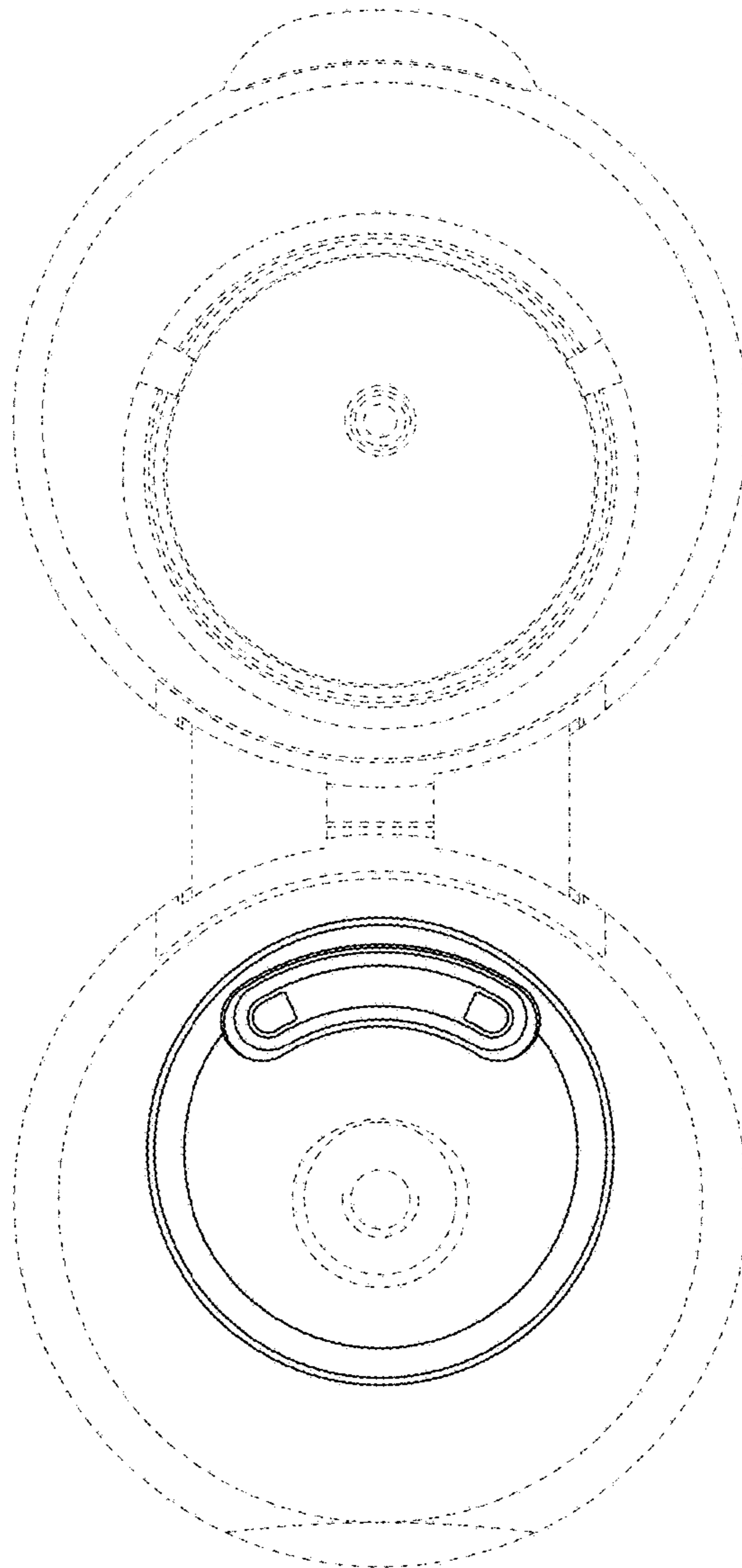


FIG. 9

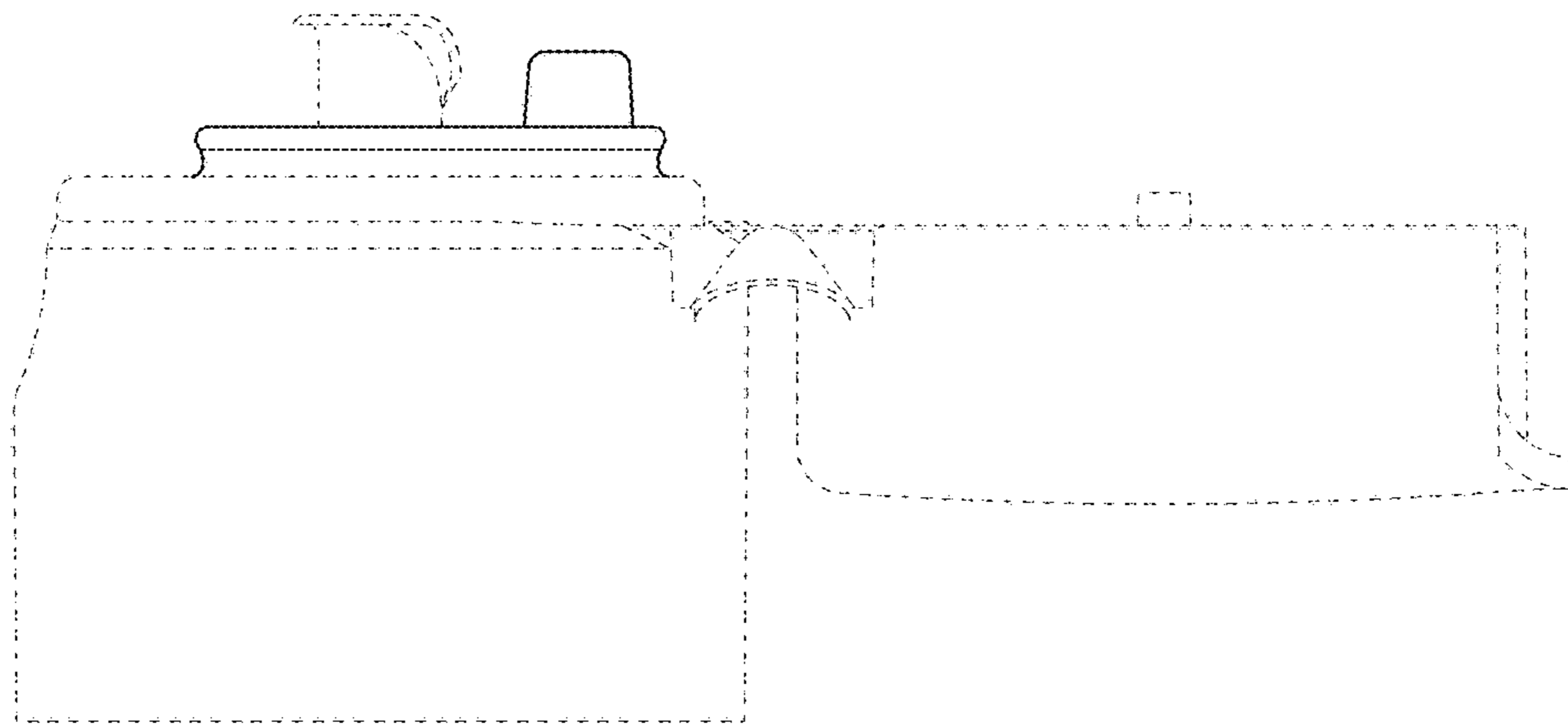


FIG. 10

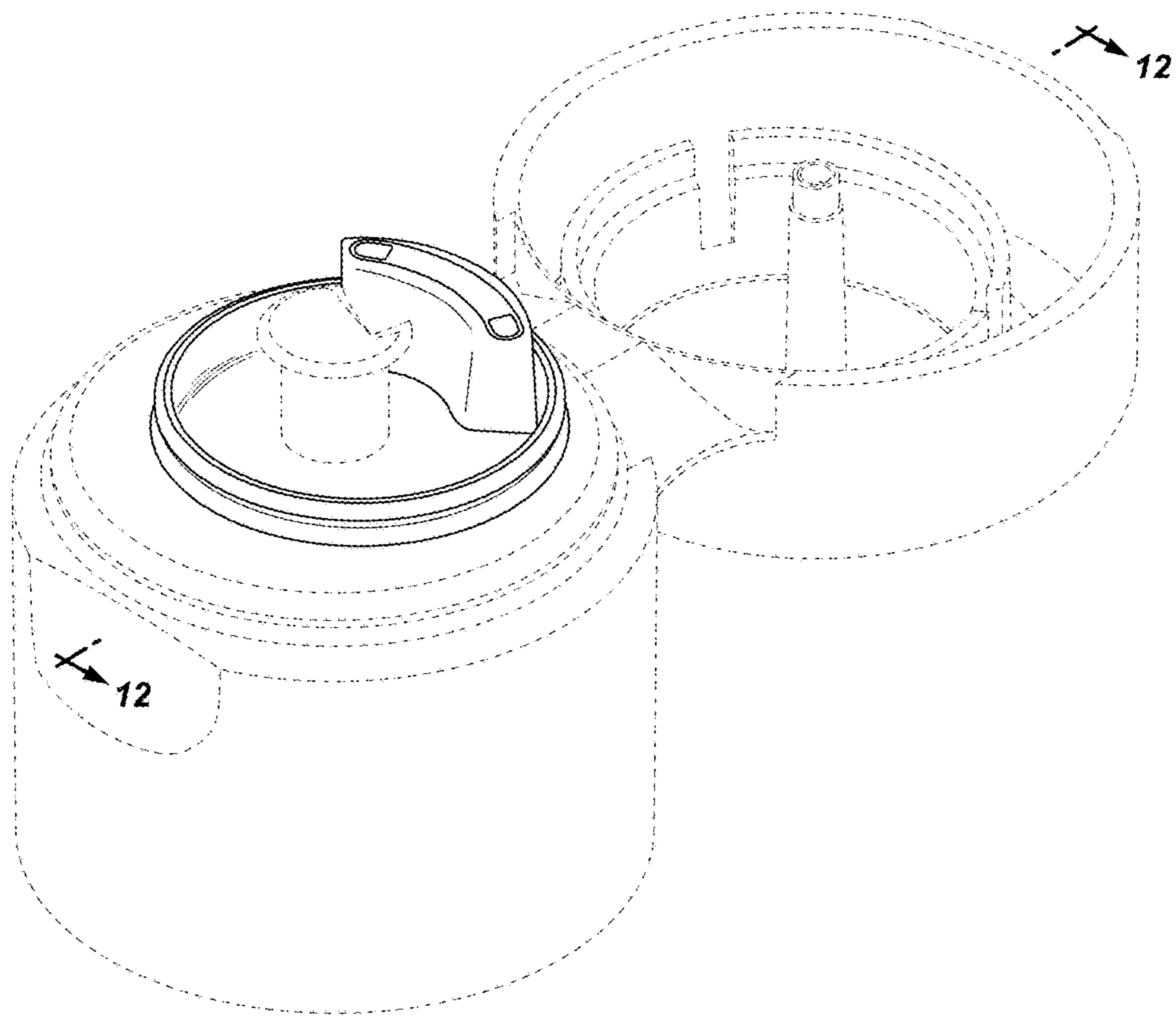


FIG. 11

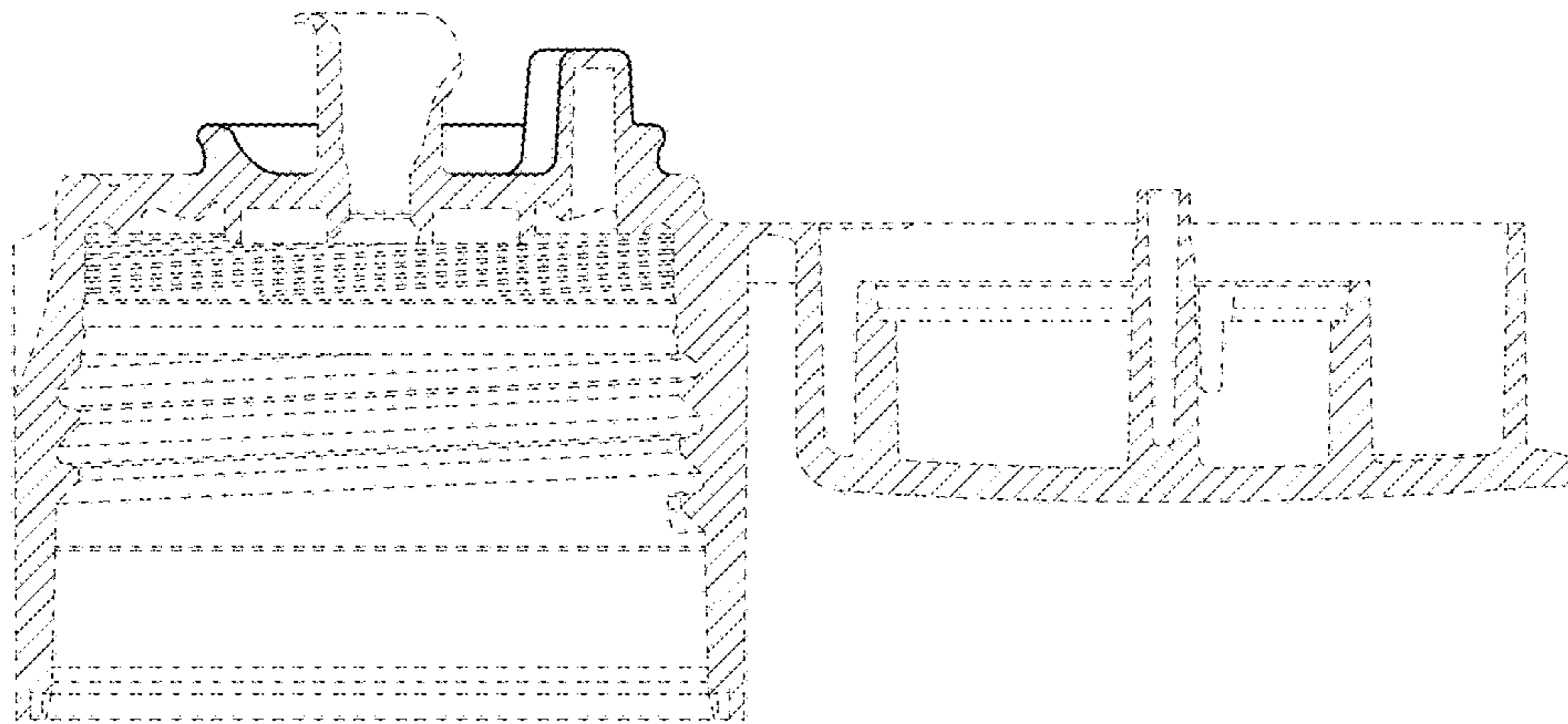


FIG. 12

UNITED STATES PATENT AND TRADEMARK OFFICE
CERTIFICATE OF CORRECTION

PATENT NO. : D848,836 S
APPLICATION NO. : 29/612879
DATED : May 21, 2019
INVENTOR(S) : Fukumoto et al.

Page 1 of 1

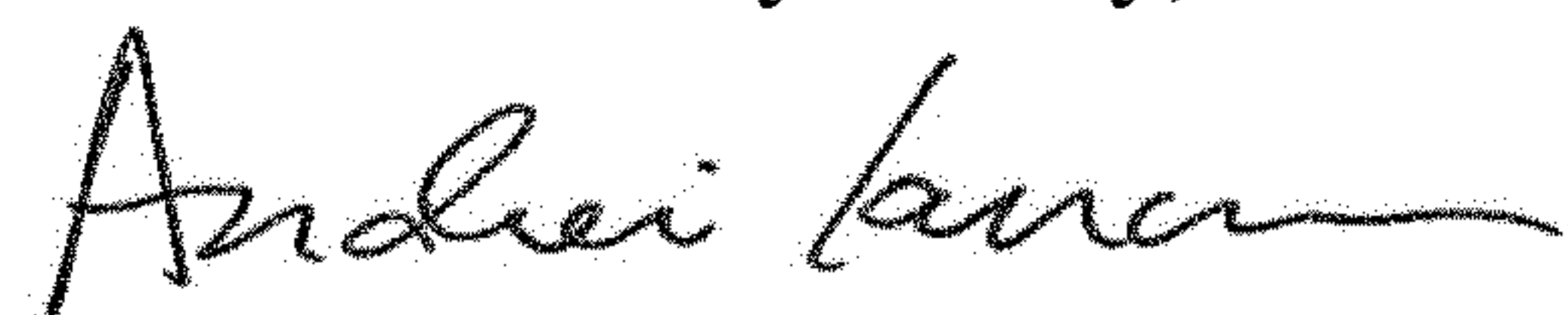
It is certified that error appears in the above-identified patent and that said Letters Patent is hereby corrected as shown below:

On the Title Page

To Item (62), "Related U.S. Application Data," add the following:

"Division of application No. 35/500,773, filed on Sep. 30, 2015 (U.S. filing date under 35 U.S.C. 384), and having an international filing date of Sep. 30, 2015, now Pat. No. Des. 798,712."

Signed and Sealed this
Sixteenth Day of July, 2019



Andrei Iancu
Director of the United States Patent and Trademark Office