



US00D848835S

(12) **United States Design Patent**  
**Exner et al.**

(10) **Patent No.:** **US D848,835 S**

(45) **Date of Patent:** **\*\* May 21, 2019**

(54) **CARTON**

(71) Applicant: **Graphic Packaging International, LLC, Atlanta, GA (US)**

(72) Inventors: **Dana Exner, Wheaton, IL (US); Aaron Bates, Kennesaw, GA (US)**

(73) Assignee: **Graphic Packaging International, LLC, Atlanta, GA (US)**

(\*\*) Term: **15 Years**

(21) Appl. No.: **29/641,851**

(22) Filed: **Mar. 26, 2018**

(51) **LOC (11) Cl.** ..... **09-03**

(52) **U.S. Cl.**  
USPC ..... **D9/431; D9/423**

(58) **Field of Classification Search**  
USPC ..... D9/414–423, 424–429, 430–432, 433,  
D9/434, 456, 457, 711, 713, 721–722  
CPC ... B65D 5/00; B65D 5/02; B65D 5/18; B65D  
5/20  
See application file for complete search history.

(56) **References Cited**

**U.S. PATENT DOCUMENTS**

637,838	A *	11/1899	Vernon	.....	B65D 5/26 229/194
1,892,756	A *	1/1933	Van Horne	.....	B65D 5/603 206/515
D217,441	S *	5/1970	Kanaga	.....	D9/421
3,840,172	A	10/1974	Zimmermann		
5,388,758	A	2/1995	Scovell		
6,041,997	A	3/2000	Jensen		
6,126,065	A *	10/2000	Wee	.....	B65D 5/2047 229/114
D458,127	S	6/2002	De Groote		
D467,499	S	12/2002	Garza et al.		
D473,787	S	4/2003	Jones, Jr. et al.		
D484,043	S	12/2003	Hwang et al.		

D519,366	S *	4/2006	Epstein	.....	D9/431
D519,830	S *	5/2006	Yocum	.....	D9/420
D561,023	S *	2/2008	Jacxsens	.....	D9/431
7,669,755	B2	3/2010	Smalley		
7,699,214	B2	4/2010	Mestre et al.		
D630,508	S *	1/2011	Hubbard, Jr.	.....	D9/431
D631,741	S *	2/2011	Hubbard, Jr.	.....	D9/431
D631,742	S *	2/2011	Hubbard, Jr.	.....	D9/431
D631,743	S *	2/2011	Hubbard, Jr.	.....	D9/431
D684,858	S *	6/2013	Sill	.....	D9/421
8,740,050	B2	6/2014	Zinck et al.		
D753,994	S	4/2016	Pantelleria		
9,309,023	B2 *	4/2016	Hubbard, Jr.	.....	B65D 5/2076

(Continued)

**OTHER PUBLICATIONS**

Colpac Visione Cardboard Food Tray. [online] Published on Apr. 20, 2017. Retrieved Dec. 18, 2018 from URL: <http://www.castawayfoodpackaging.co.nz/product/01viztfl-visione-cardboard-food-tray/>.\*

*Primary Examiner* — Vy N Koenig  
(74) *Attorney, Agent, or Firm* — Womble Bond Dickinson (US) LLP

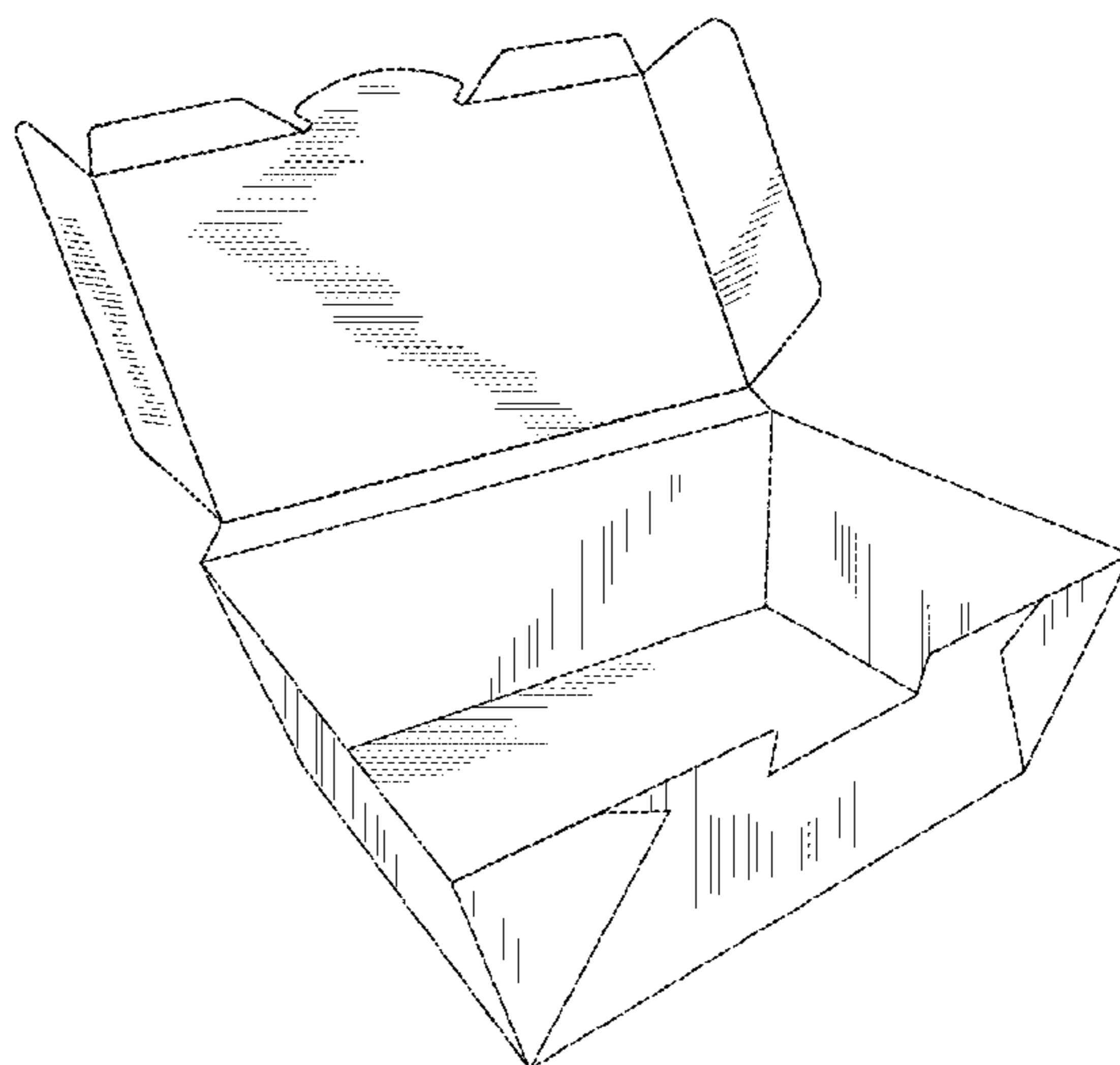
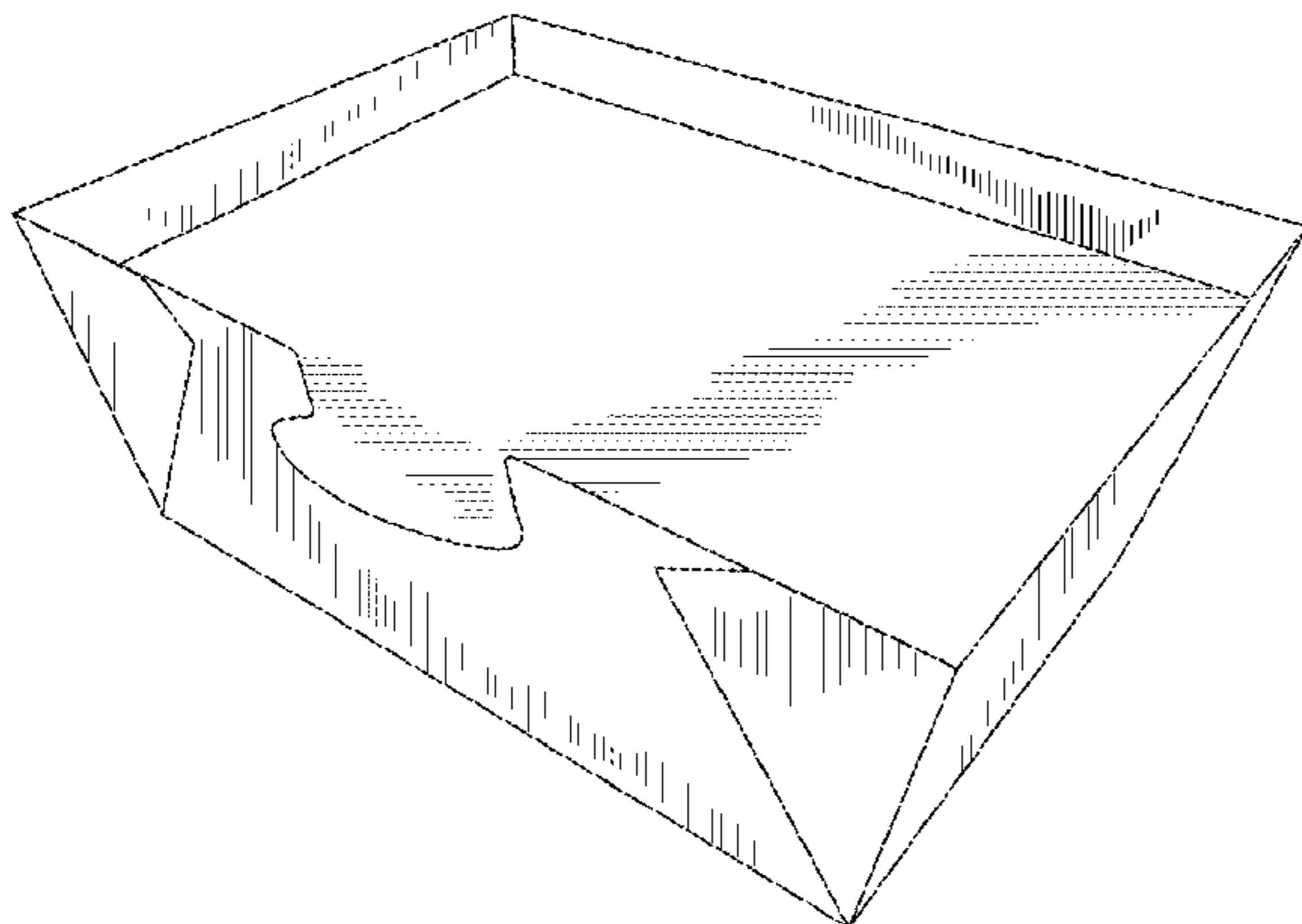
(57) **CLAIM**

The ornamental design for a carton, as shown and described.

**DESCRIPTION**

FIG. 1 is a perspective view of a carton showing our new design.  
FIG. 2 is a front elevation view of the carton of FIG. 1.  
FIG. 3 is a rear elevation view of the carton of FIG. 1.  
FIG. 4 is a left elevation view of the carton of FIG. 1, the right elevation view is a mirror image.  
FIG. 5 is a top plan view of the carton of FIG. 1.  
FIG. 6 is a bottom plan view of the carton of FIG. 1; and,  
FIG. 7 is a perspective view of the carton of FIG. 1 shown in an open configuration.

**1 Claim, 7 Drawing Sheets**



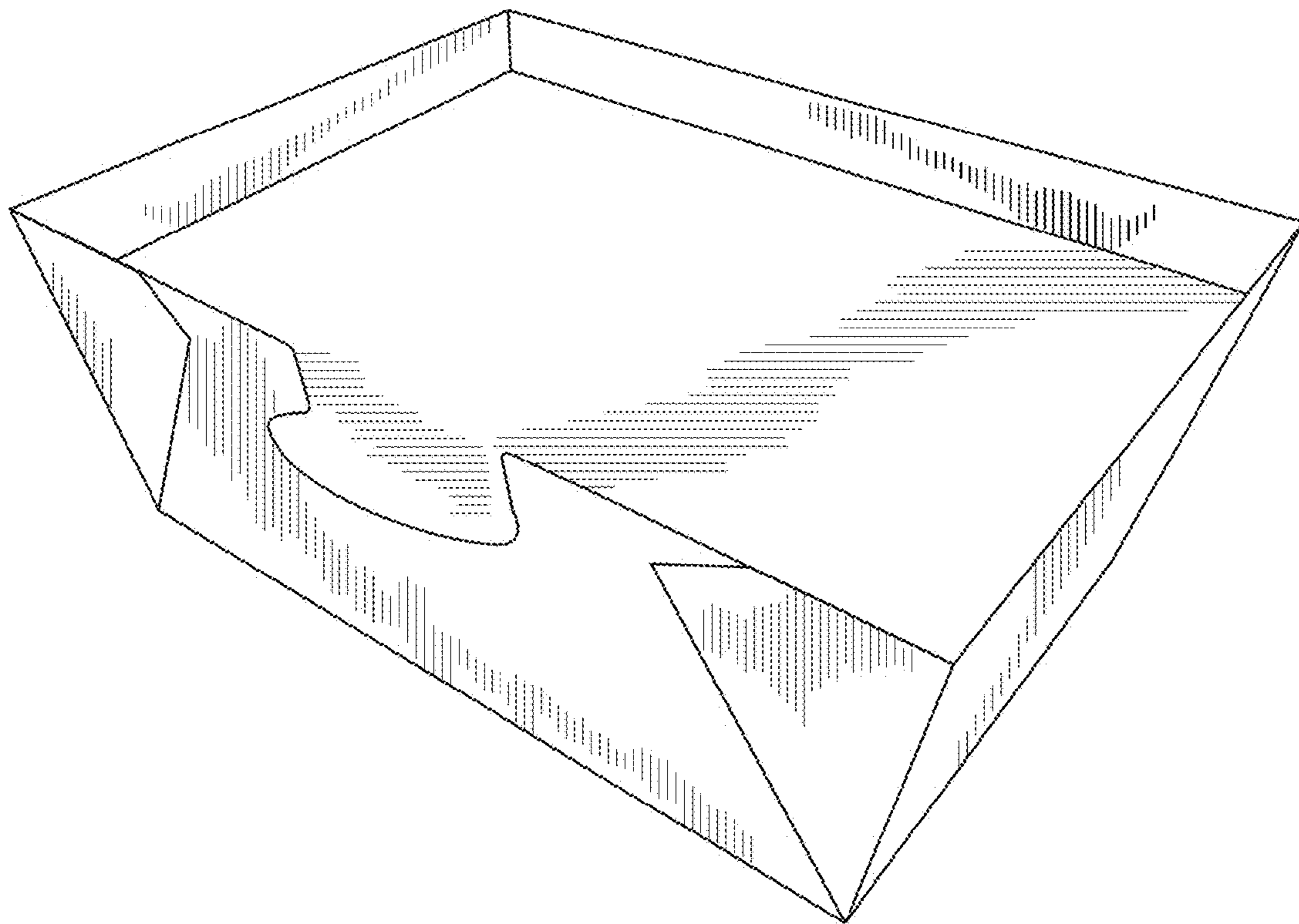
(56)

**References Cited**

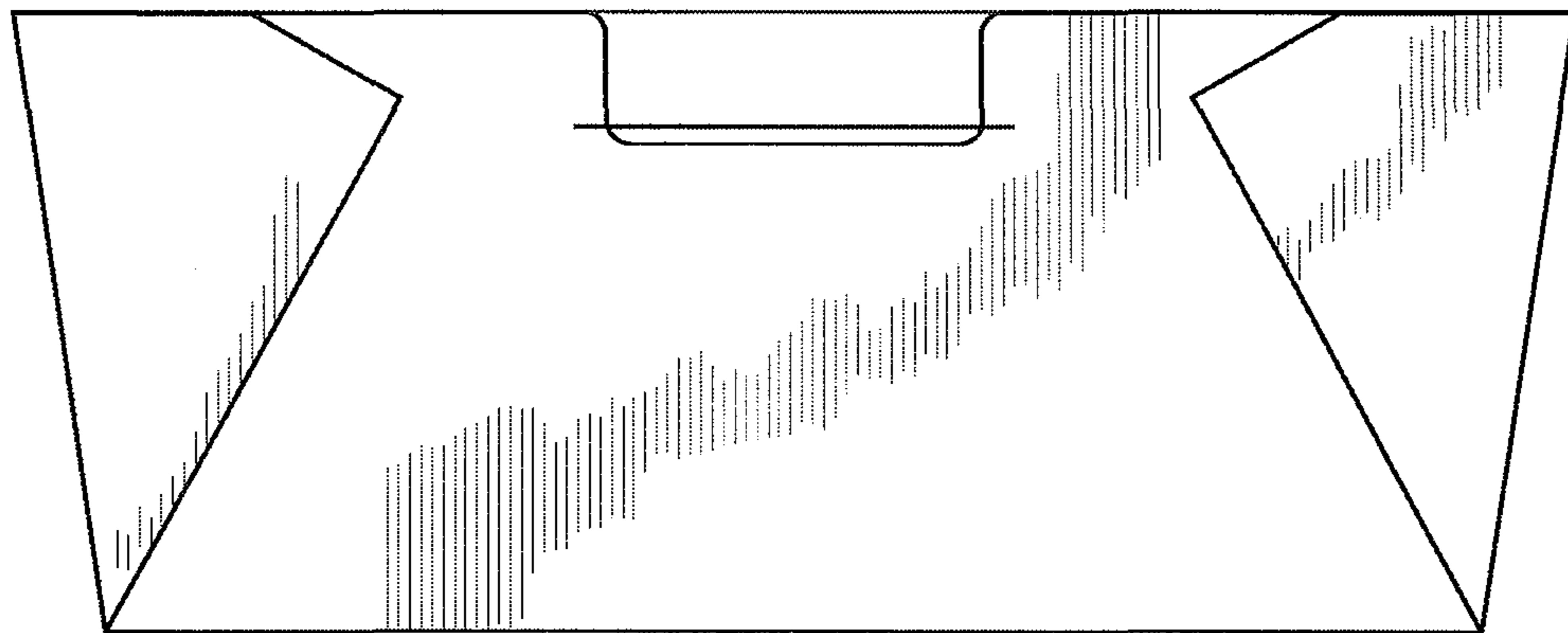
U.S. PATENT DOCUMENTS

D755,624	S	*	5/2016	Ng	.....	D9/431
D762,468	S		8/2016	Pantelleria et al.		
D769,114	S	*	10/2016	Montemayor	.....	D9/431
9,505,516	B2	*	11/2016	Hubbard, Jr.	.....	B65D 5/2047
D775,947	S	*	1/2017	Epstein	.....	D9/433
9,701,438	B2		7/2017	Fitzwater et al.		
D805,894	S	*	12/2017	Lee	.....	D9/431
D811,875	S		3/2018	Haen et al.		
D813,029	S		3/2018	Borkovetz et al.		
2008/0087679	A1	*	4/2008	Cook	.....	B65D 5/008 221/1

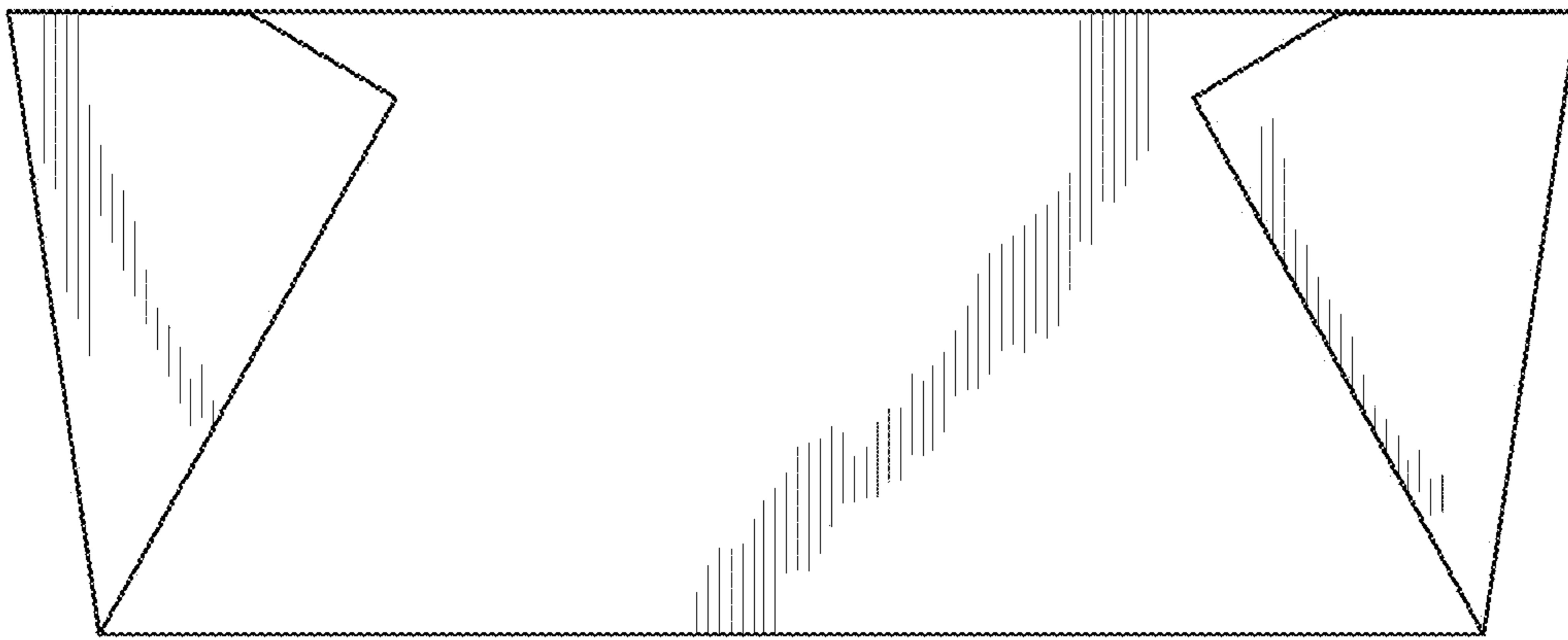
\* cited by examiner



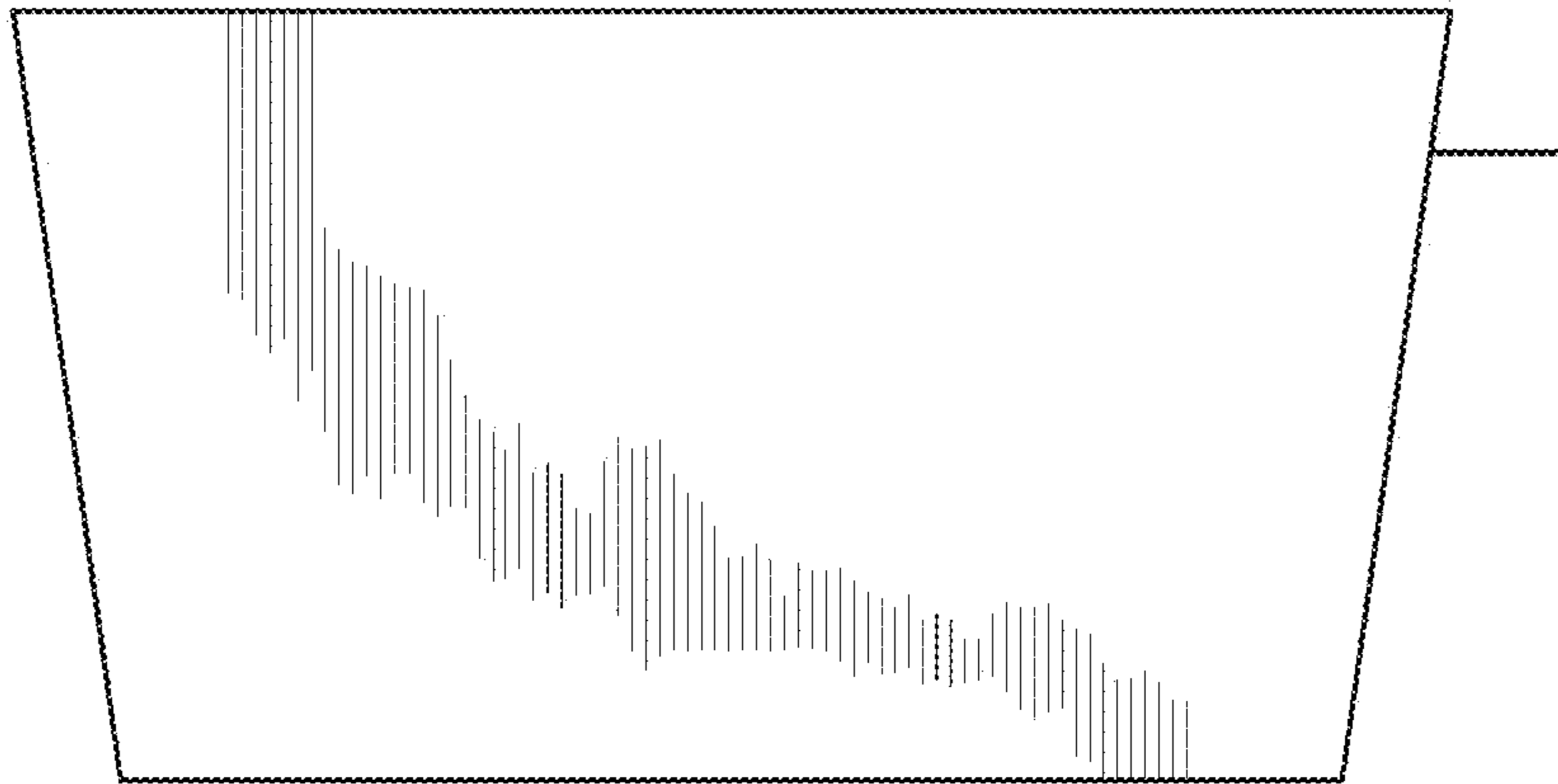
**FIG. 1**



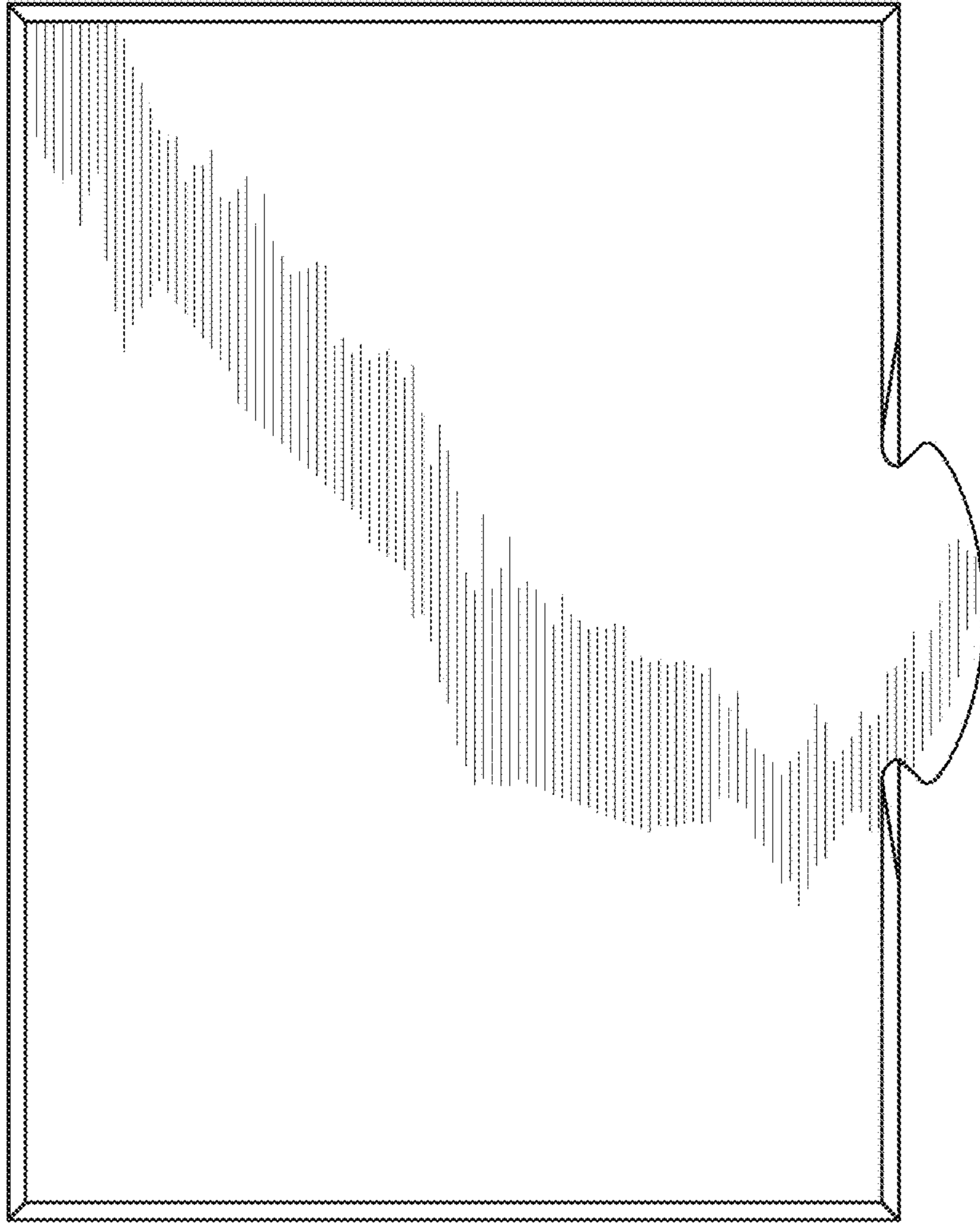
**FIG. 2**



**FIG. 3**

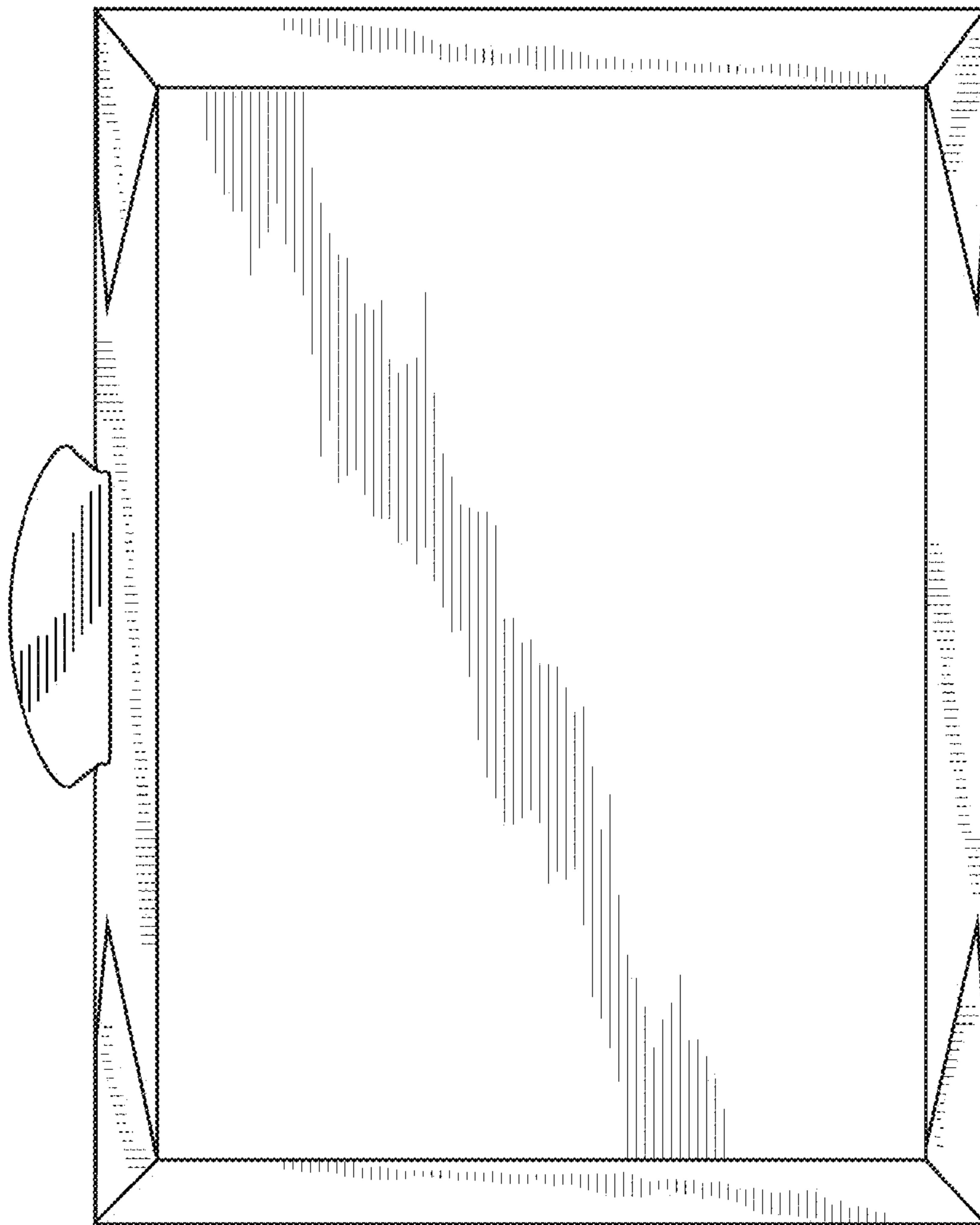


**FIG. 4**



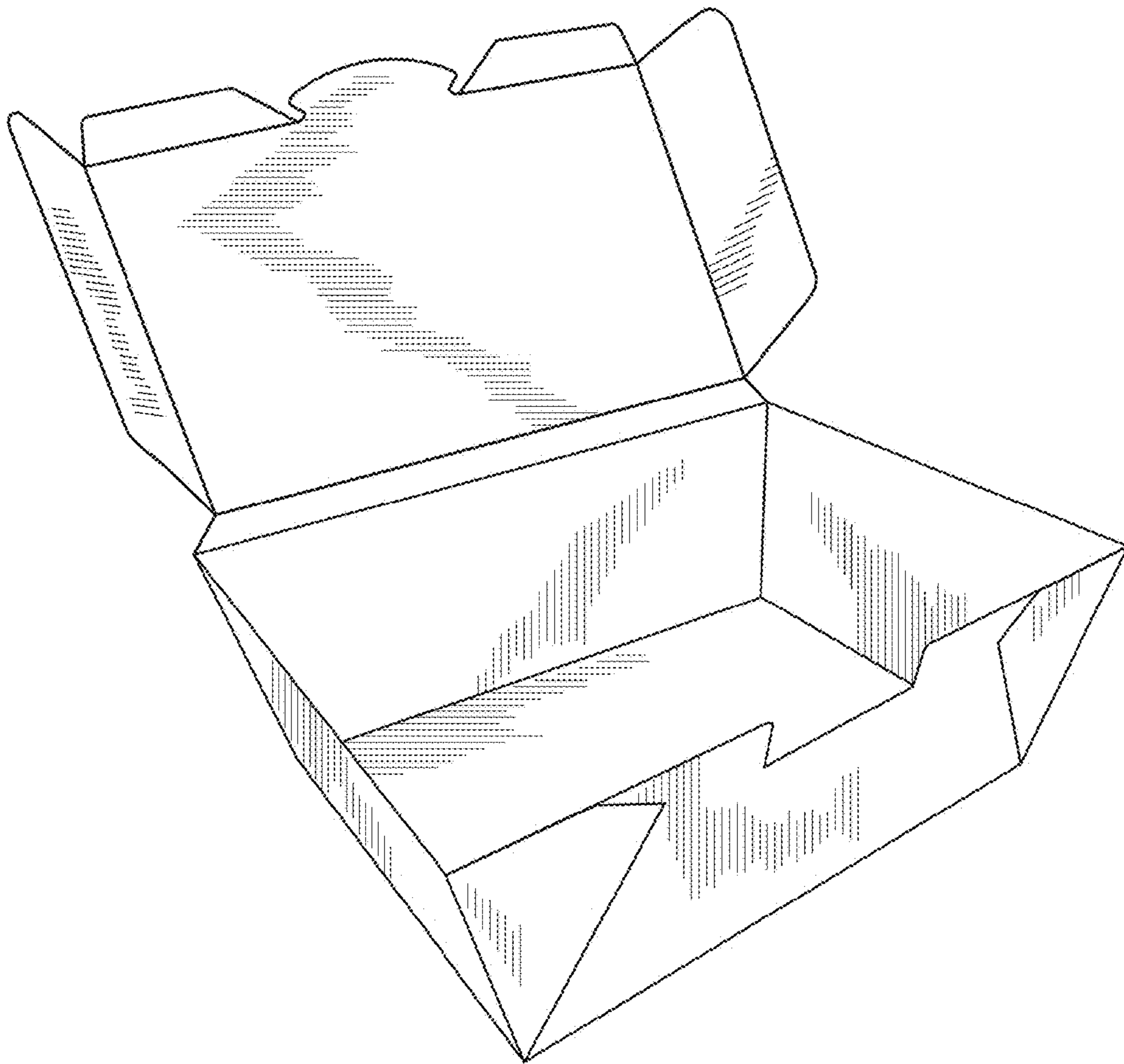
**FIG. 5**





**FIG. 6**





**FIG. 7**