



US00D848834S

(12) **United States Design Patent** (10) **Patent No.:** **US D848,834 S**  
**Exner** (45) **Date of Patent:** **\*\* May 21, 2019**

(54) **CARTON**  
(71) Applicant: **Graphic Packaging International, LLC, Atlanta, GA (US)**  
(72) Inventor: **Dana Exner, Wheaton, IL (US)**  
(73) Assignee: **Graphic Packaging International, LLC, Atlanta, GA (US)**  
(\*\*) Term: **15 Years**  
(21) Appl. No.: **29/641,847**  
(22) Filed: **Mar. 26, 2018**  
(51) **LOC (11) Cl.** ..... **09-03**  
(52) **U.S. Cl.**  
USPC ..... **D9/431; D9/423**  
(58) **Field of Classification Search**  
USPC ..... D9/414-423, 424-429, 430-432, 433, D9/434, 456, 457, 711, 713, 721-722  
CPC ... B65D 5/00; B65D 5/02; B65D 5/18; B65D 5/20  
See application file for complete search history.

(56) **References Cited**  
**U.S. PATENT DOCUMENTS**  
637,838 A \* 11/1899 Vernon ..... B65D 5/26 229/194  
1,892,756 A \* 1/1933 Van Horne ..... B65D 5/603 206/515  
D217,441 S \* 5/1970 Kanaga ..... D9/421  
3,840,172 A 10/1974 Zimmermann  
5,388,758 A 2/1995 Scovell  
6,041,997 A 3/2000 Jensen  
6,126,065 A \* 10/2000 Wee ..... B65D 5/2047 229/114  
D458,127 S 6/2002 De Groote  
D467,499 S 12/2002 Garza et al.  
D473,787 S 4/2003 Jones, Jr. et al.  
D484,043 S 12/2003 Hwang et al.  
D519,366 S \* 4/2006 Epstein ..... D9/431

D519,830 S \* 5/2006 Yocum ..... D9/420  
D561,023 S \* 2/2008 Jacxsens ..... D9/431  
7,669,755 B2 3/2010 Smalley  
7,699,214 B2 4/2010 Mestre et al.  
D630,508 S \* 1/2011 Hubbard, Jr. .... D9/431  
D631,741 S \* 2/2011 Hubbard, Jr. .... D9/431  
D631,742 S \* 2/2011 Hubbard, Jr. .... D9/431  
D631,743 S \* 2/2011 Hubbard, Jr. .... D9/431  
D684,858 S \* 6/2013 Sill ..... D9/421  
8,740,050 B2 6/2014 Zinck et al.  
D753,994 S 4/2016 Pantelleria  
9,309,023 B2 \* 4/2016 Hubbard, Jr. .... B65D 5/2076  
D755,624 S \* 5/2016 Ng ..... D9/431

(Continued)

**OTHER PUBLICATIONS**

Colpac Visione Cardboard Food Tray. [online] Published on Apr. 20, 2017. Retrieved Dec. 18, 2018 from URL: <http://www.castawayfoodpackaging.co.nz/product/01viztfl-visione-cardboard-food-tray/>.\*

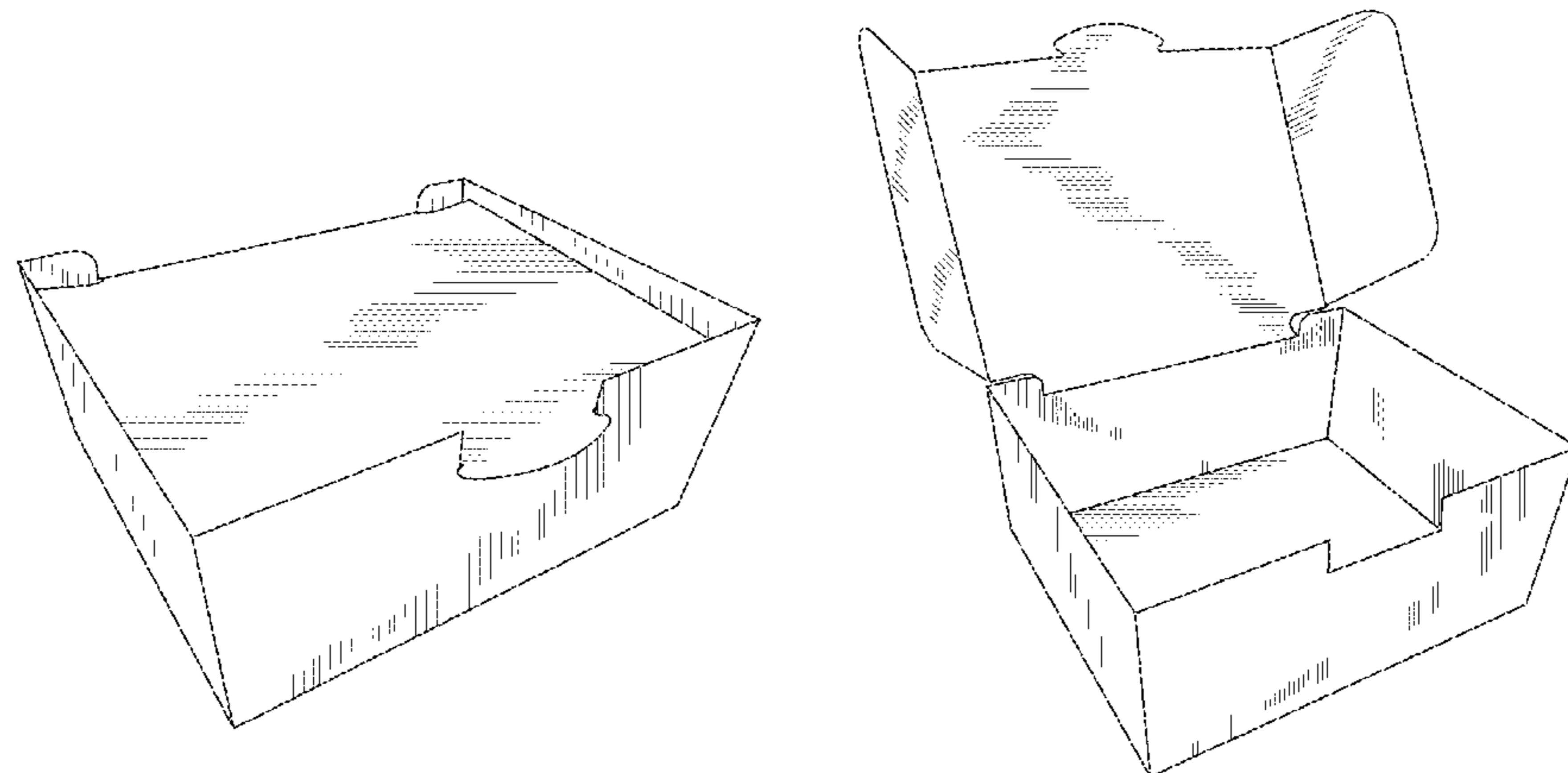
*Primary Examiner* — Vy N Koenig  
(74) *Attorney, Agent, or Firm* — Womble Bond Dickinson (US) LLP

(57) **CLAIM**  
The ornamental design for a carton, as shown and described.

**DESCRIPTION**

FIG. 1 is a perspective view of a carton showing my new design.  
FIG. 2 is a front elevation view of the carton of FIG. 1.  
FIG. 3 is a rear elevation view of the carton of FIG. 1.  
FIG. 4 is a left elevation view of the carton of FIG. 1, the right elevation view is a mirror image.  
FIG. 5 is a top plan view of the carton of FIG. 1.  
FIG. 6 is a bottom plan view of the carton of FIG. 1; and, FIG. 7 is a perspective view of the carton of FIG. 1 shown in an open configuration.

**1 Claim, 7 Drawing Sheets**



(56)

**References Cited**

U.S. PATENT DOCUMENTS

D762,468	S	8/2016	Pantelleria et al.	
D769,114	S *	10/2016	Montemayor .....	D9/431
9,505,516	B2 *	11/2016	Hubbard, Jr. ....	B65D 5/2047
D775,947	S *	1/2017	Epstein .....	D9/433
9,701,438	B2	7/2017	Fitzwater et al.	
D805,894	S *	12/2017	Lee .....	D9/431
D811,875	S	3/2018	Haen et al.	
D813,029	S	3/2018	Borkovetz et al.	
2008/0087679	A1 *	4/2008	Cook .....	B65D 5/008 221/1

\* cited by examiner

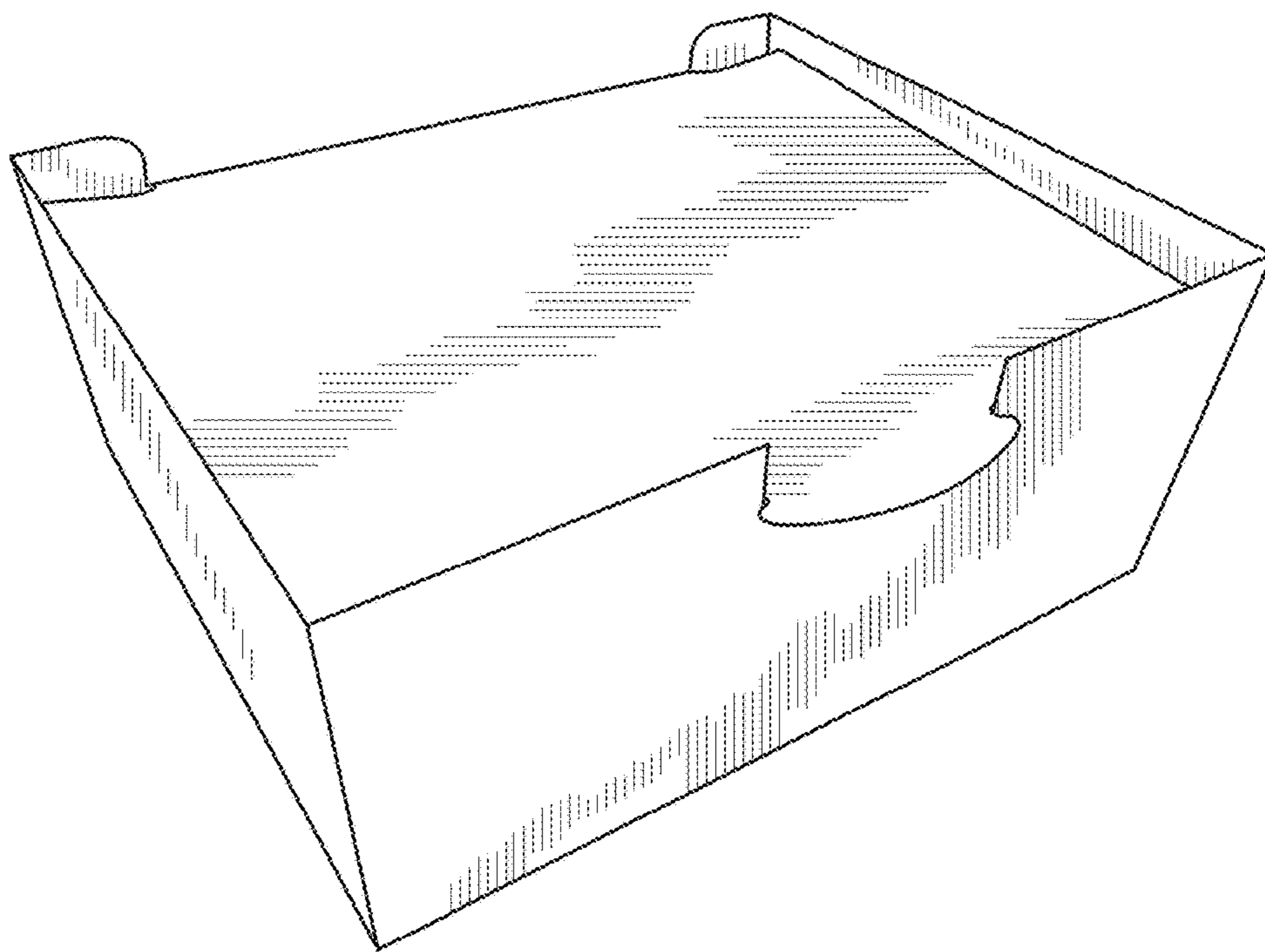
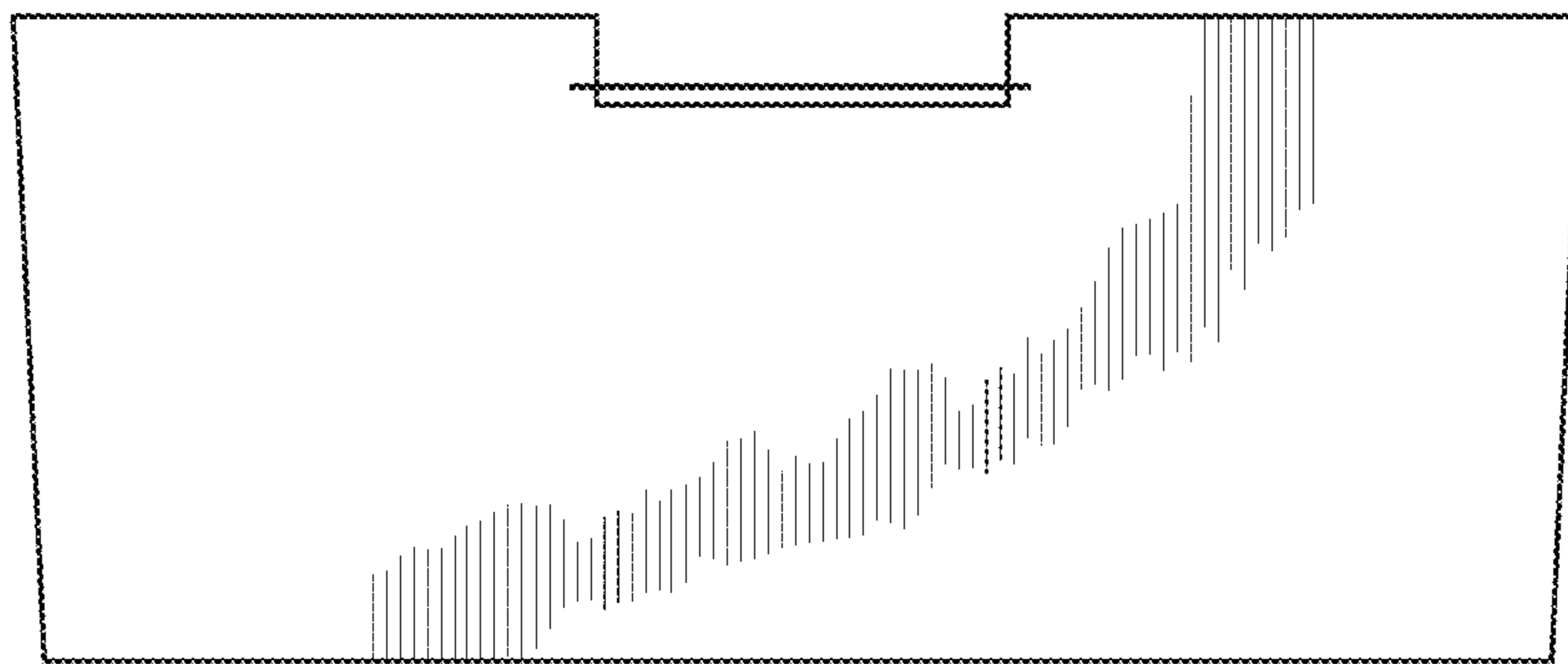
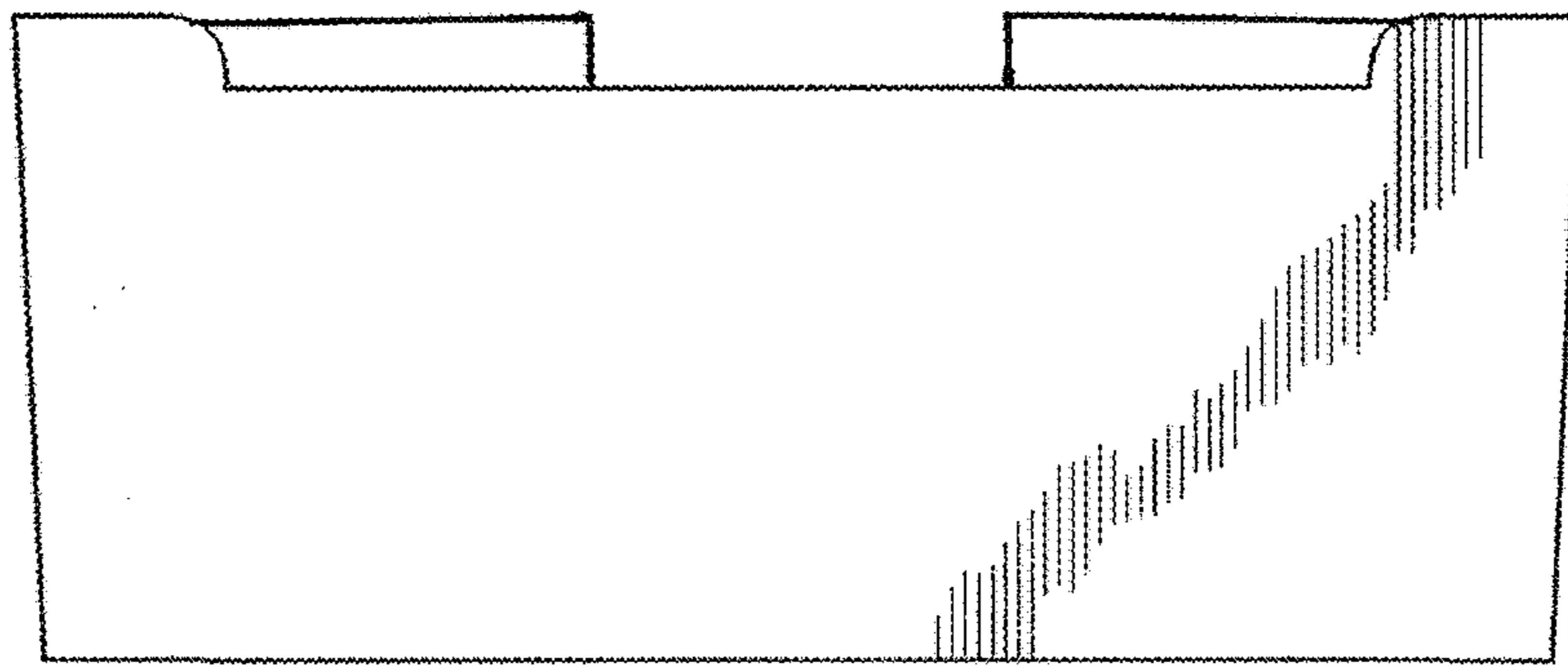


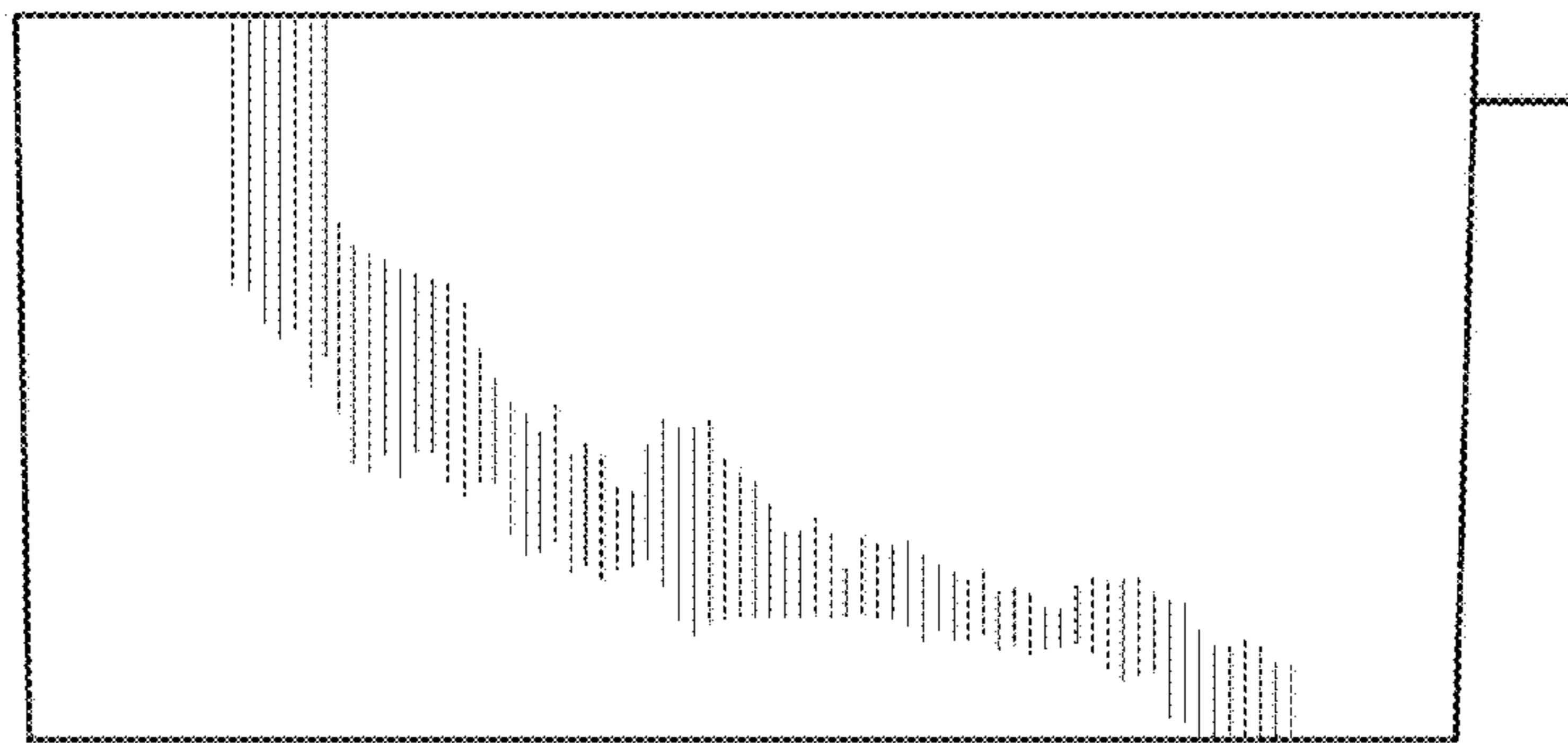
FIG. 1



**FIG. 2**



**FIG. 3**



**FIG. 4**

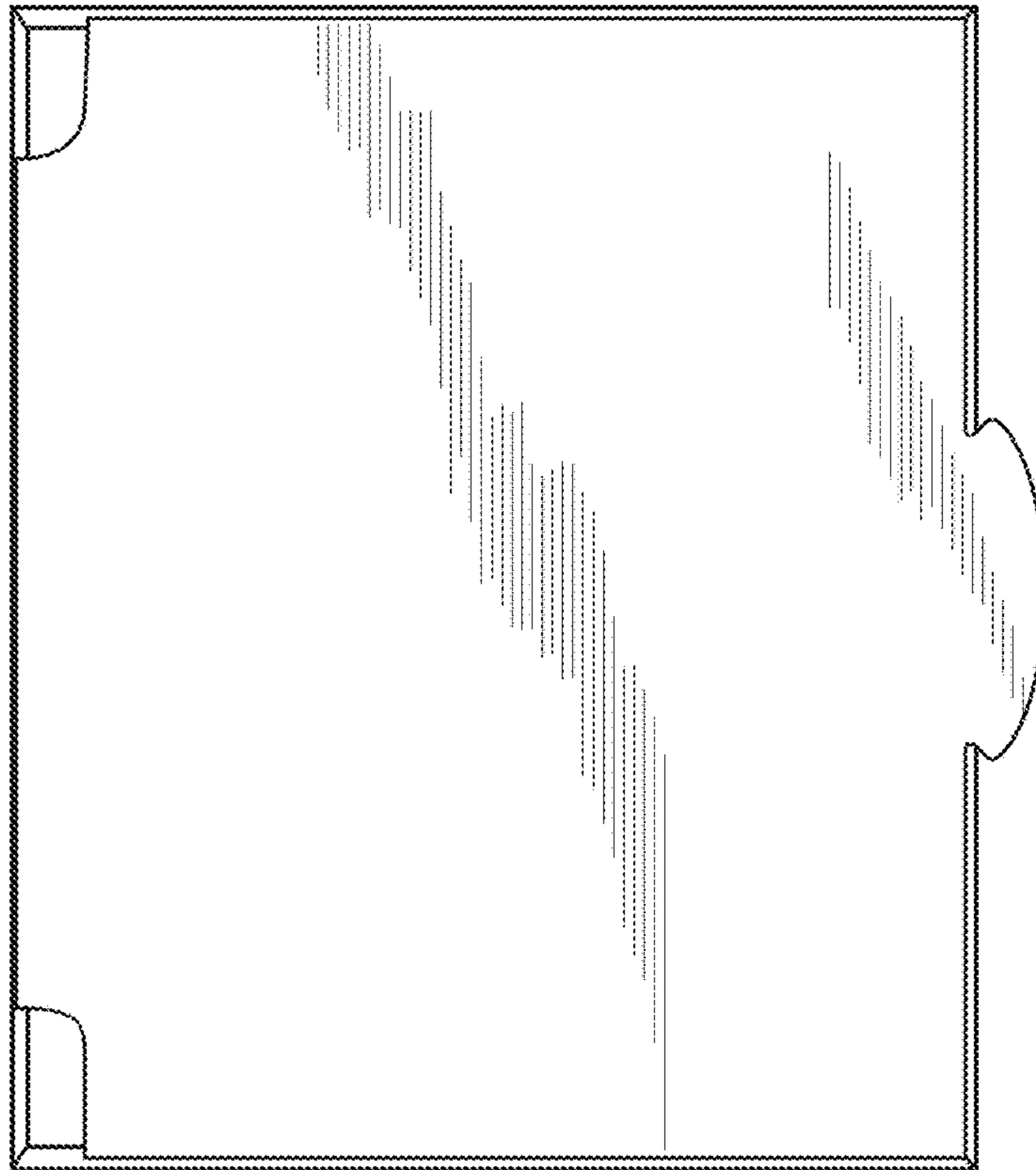
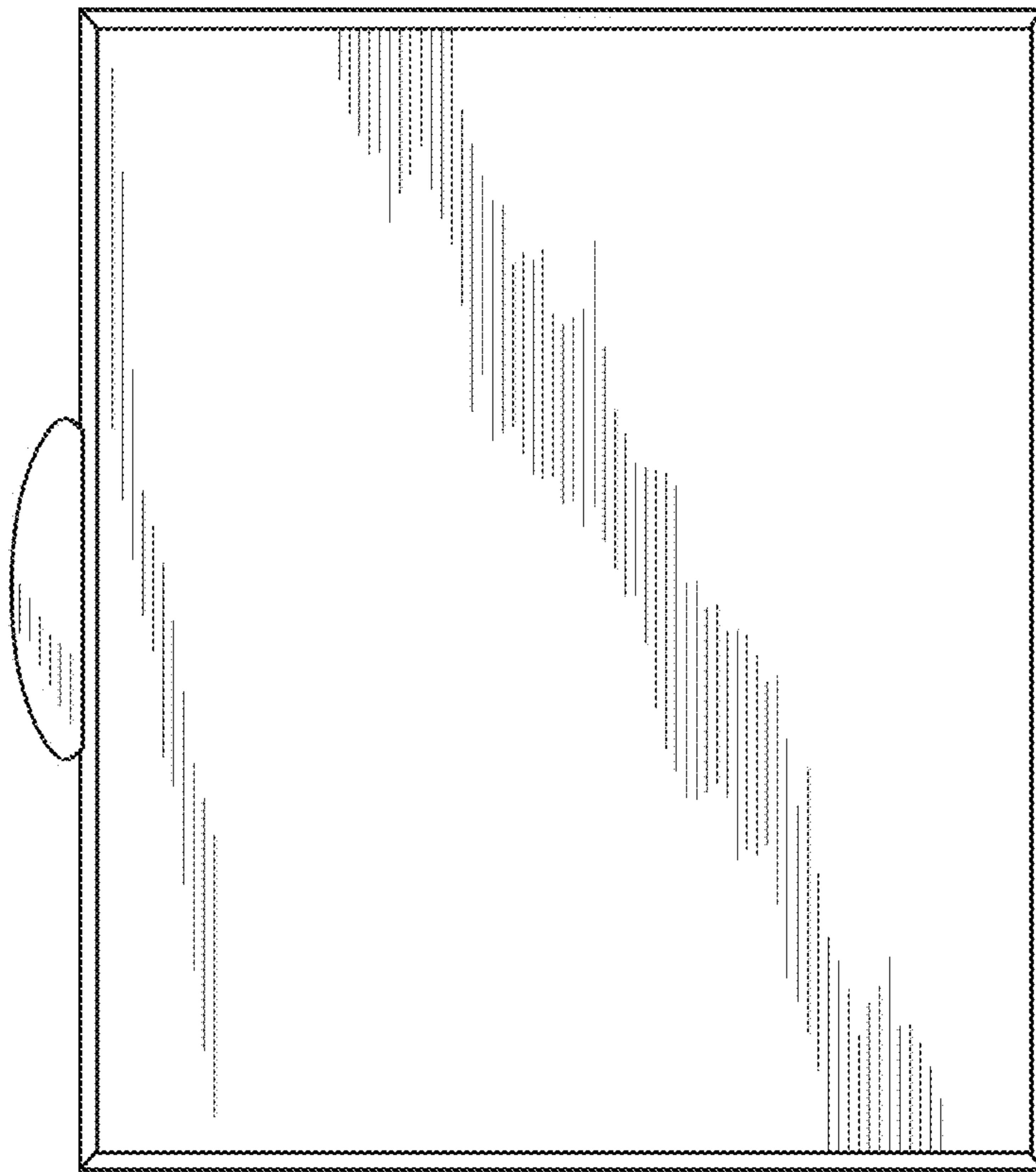


FIG. 5



**FIG. 6**



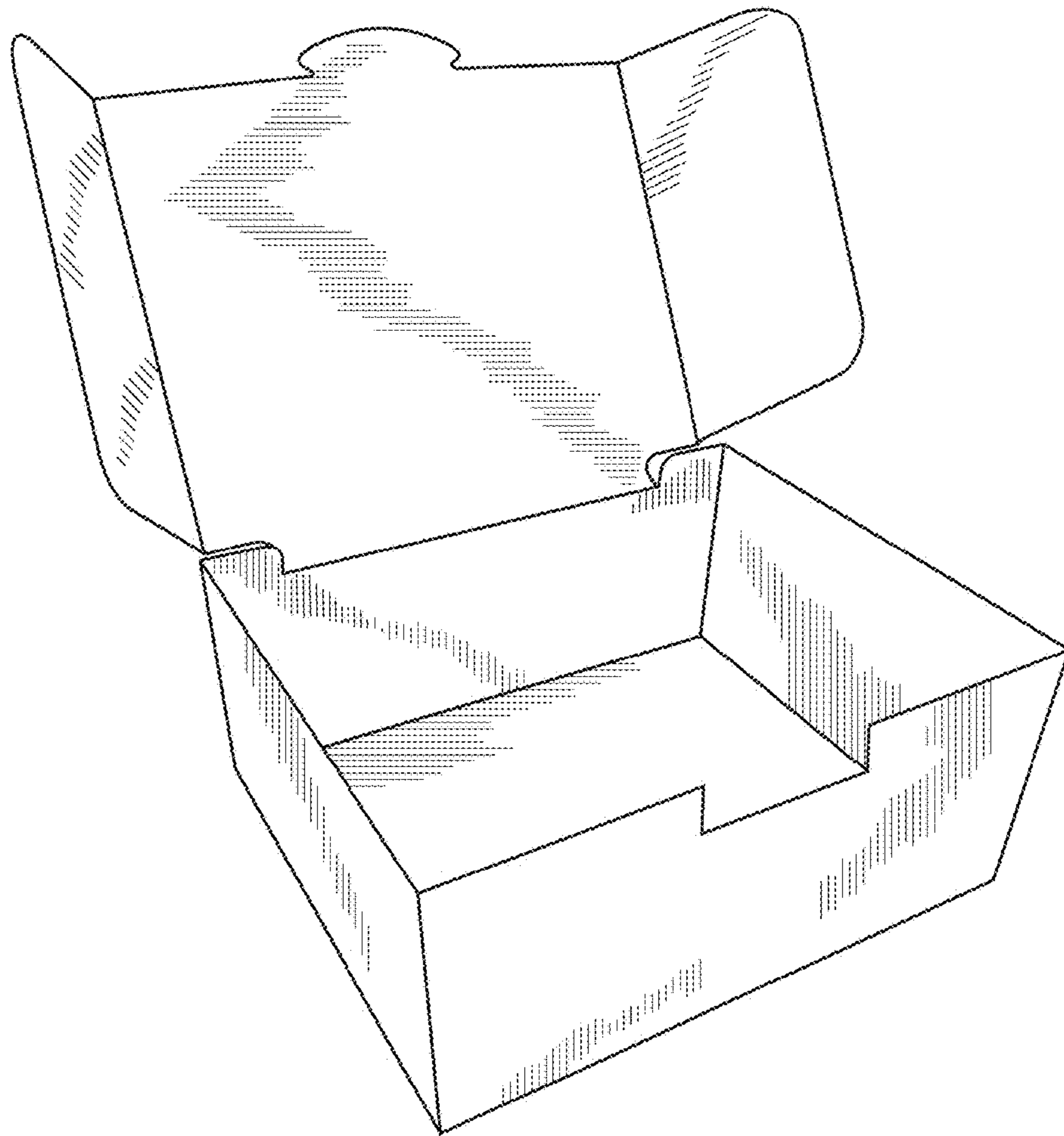


FIG. 7