



US00D848833S

(12) **United States Design Patent**  
**Montanile**

(10) **Patent No.:** **US D848,833 S**

(45) **Date of Patent:** **\*\* May 21, 2019**

(54) **FOOD CONTAINER**

(71) Applicant: **Domenick Montanile**, Tempe, AZ (US)

(72) Inventor: **Domenick Montanile**, Tempe, AZ (US)

(\*\*) Term: **15 Years**

(21) Appl. No.: **29/640,654**

(22) Filed: **Mar. 15, 2018**

(51) **LOC (11) Cl.** ..... **09-03**

(52) **U.S. Cl.**

USPC ..... **D9/431**; D9/433

(58) **Field of Classification Search**

USPC ..... D9/414-423, 430-433, 434, 456, 457,  
D9/711, 713, 721-722, 732; D20/10, 22,  
D20/27, 40, 42; D24/100-104

CPC ... B65D 5/00; B65D 5/02; B65D 5/18; B65D  
5/20

See application file for complete search history.

(56) **References Cited**

**U.S. PATENT DOCUMENTS**

D259,615 S *	6/1981	Morris, Jr.	.....	D3/288
5,494,214 A *	2/1996	Fleury	.....	B65D 5/6664 229/114
5,853,121 A *	12/1998	Francisco	.....	B65D 5/2047 229/188
D497,309 S *	10/2004	Nordland	.....	D9/415
D561,023 S *	2/2008	Jacxsens	.....	D9/431
D631,742 S *	2/2011	Hubbard, Jr.	.....	D9/431
D631,743 S *	2/2011	Hubbard, Jr.	.....	D9/431
D695,104 S *	12/2013	Sill	.....	D9/418
D744,825 S *	12/2015	Johansen	.....	D9/418
D769,114 S *	10/2016	Montemayor	.....	D9/431
D810,561 S *	2/2018	Garnett	.....	D9/431
2008/0087679 A1 *	4/2008	Cook	.....	B65D 5/008 221/1

**OTHER PUBLICATIONS**

Wholesale Takeout Packaging Boxes. [online ] Retrieved Jan. 2, 2018 from URL: <https://www.emenacpackaging.com/product-description/microwavable-chinese-takeout-boxes/>.\*

\* cited by examiner

*Primary Examiner* — Vy N Koenig

(74) *Attorney, Agent, or Firm* — Wright Law Group, PLLC; Mark F. Wright

(57) **CLAIM**

The ornamental design for a food container, as shown and described.

**DESCRIPTION**

FIG. 1 is a perspective view of a food container in a folded configuration;

FIG. 2 is a front side view of a food container in a folded configuration;

FIG. 3 is a back side view of a food container in a folded configuration;

FIG. 4 is a left side view of a food container in a folded configuration;

FIG. 5 is a right view of a food container in a folded configuration;

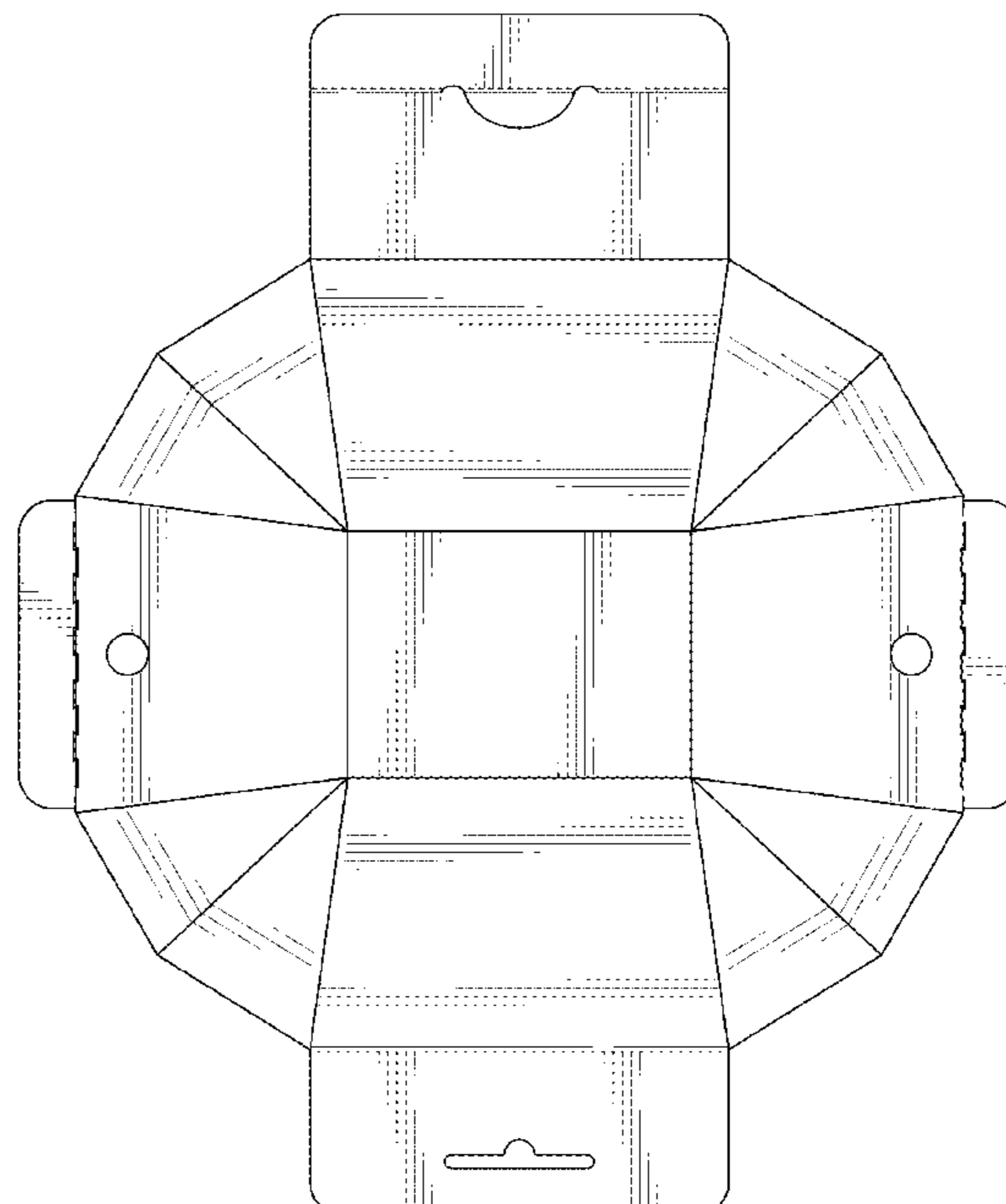
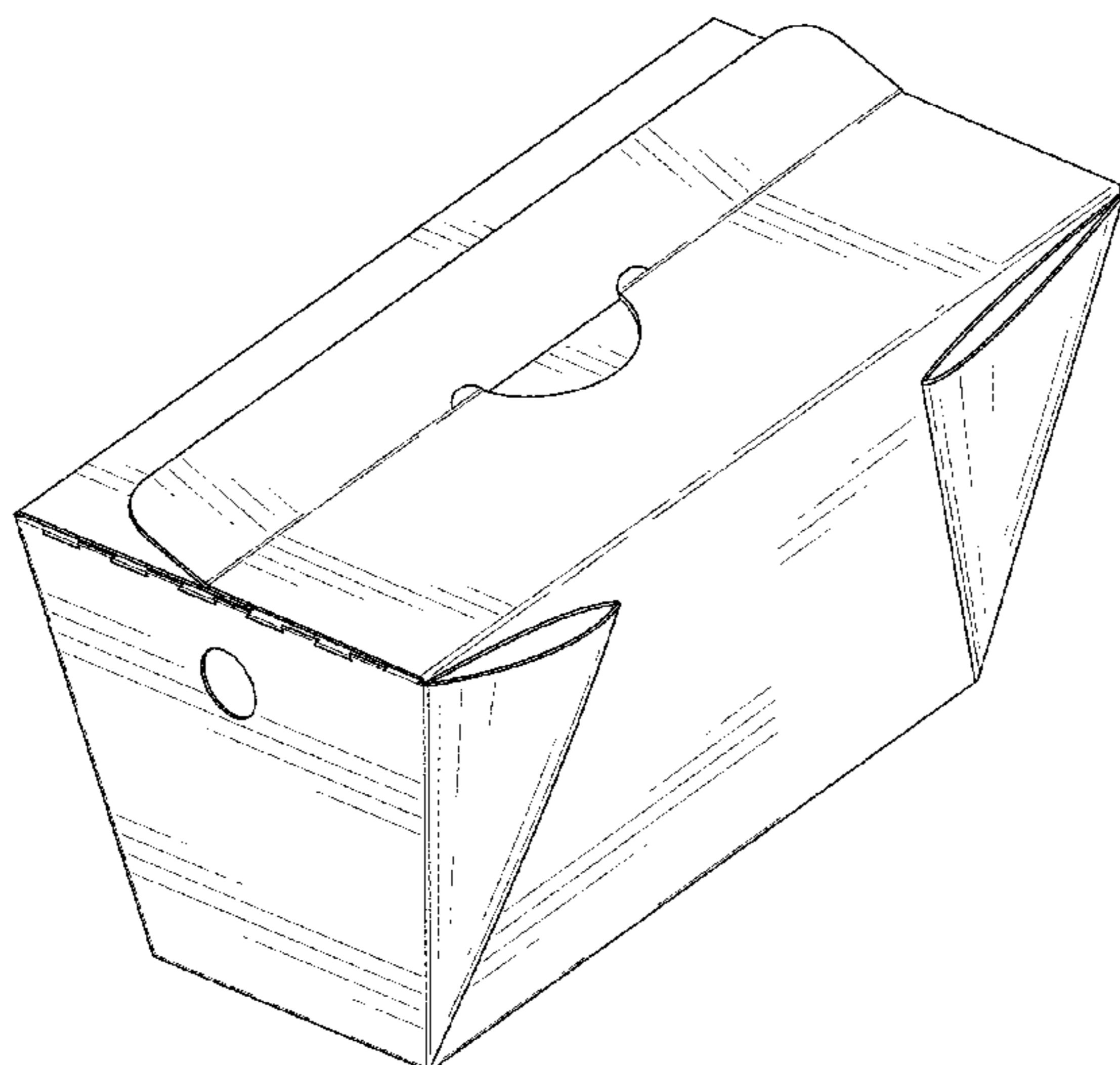
FIG. 6 is a top view of a food container in a folded configuration;

FIG. 7 is a bottom view of a food container in a folded configuration;

FIG. 8 is a top view of a food container in an unfolded configuration; and,

FIG. 9 is a bottom view of a food container in an unfolded configuration.

**1 Claim, 8 Drawing Sheets**



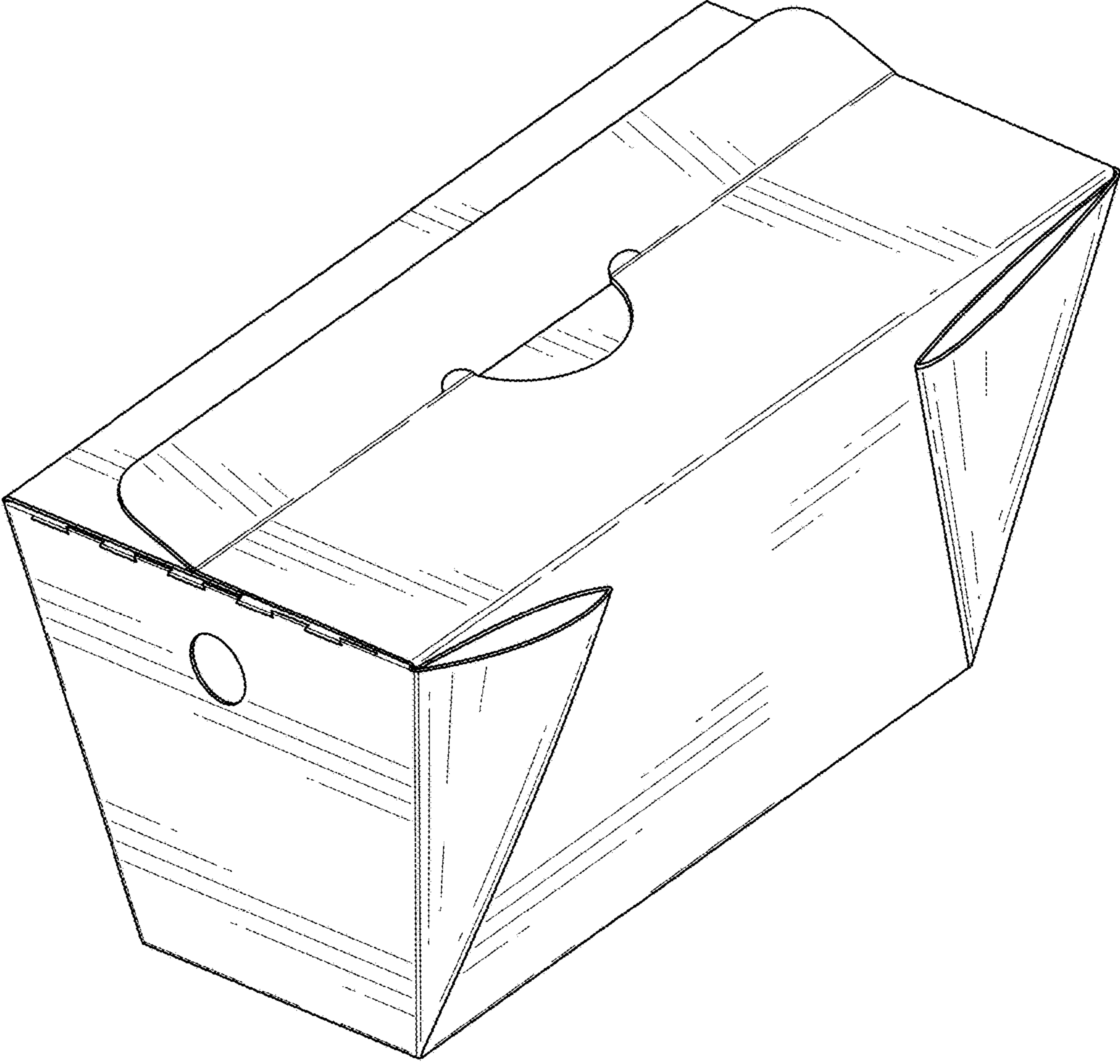


FIG. 1

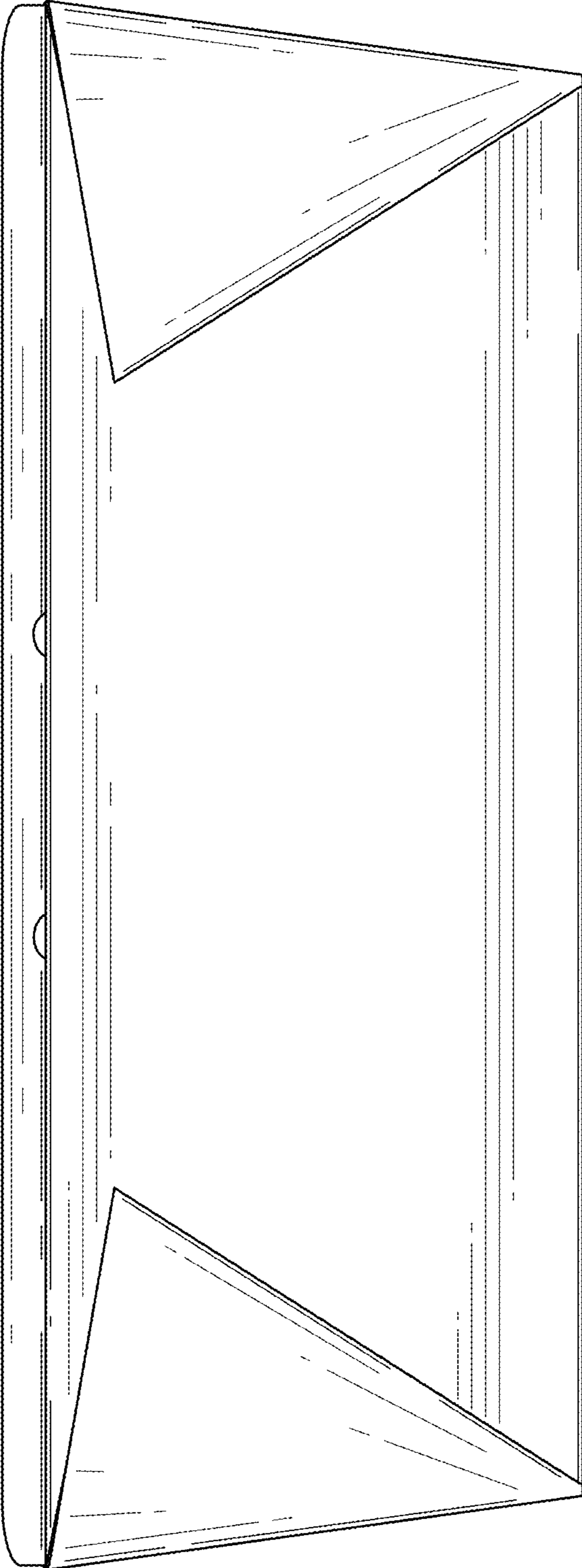


FIG. 2

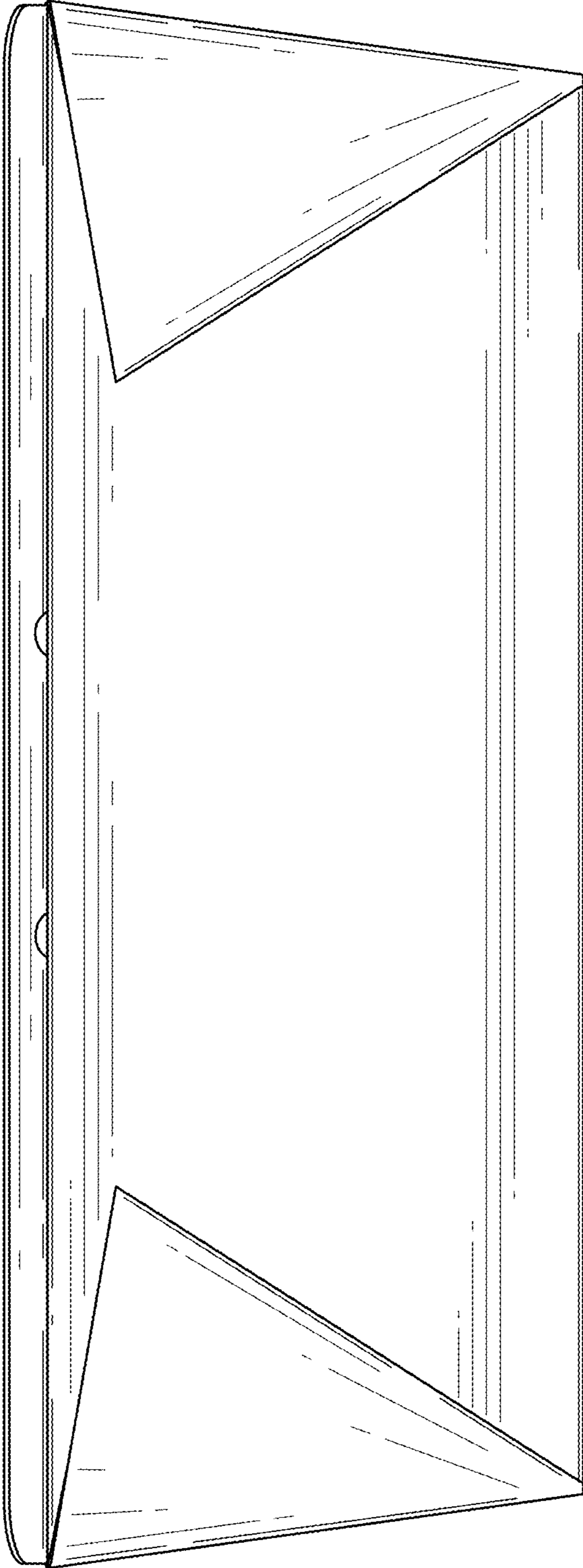


FIG. 3

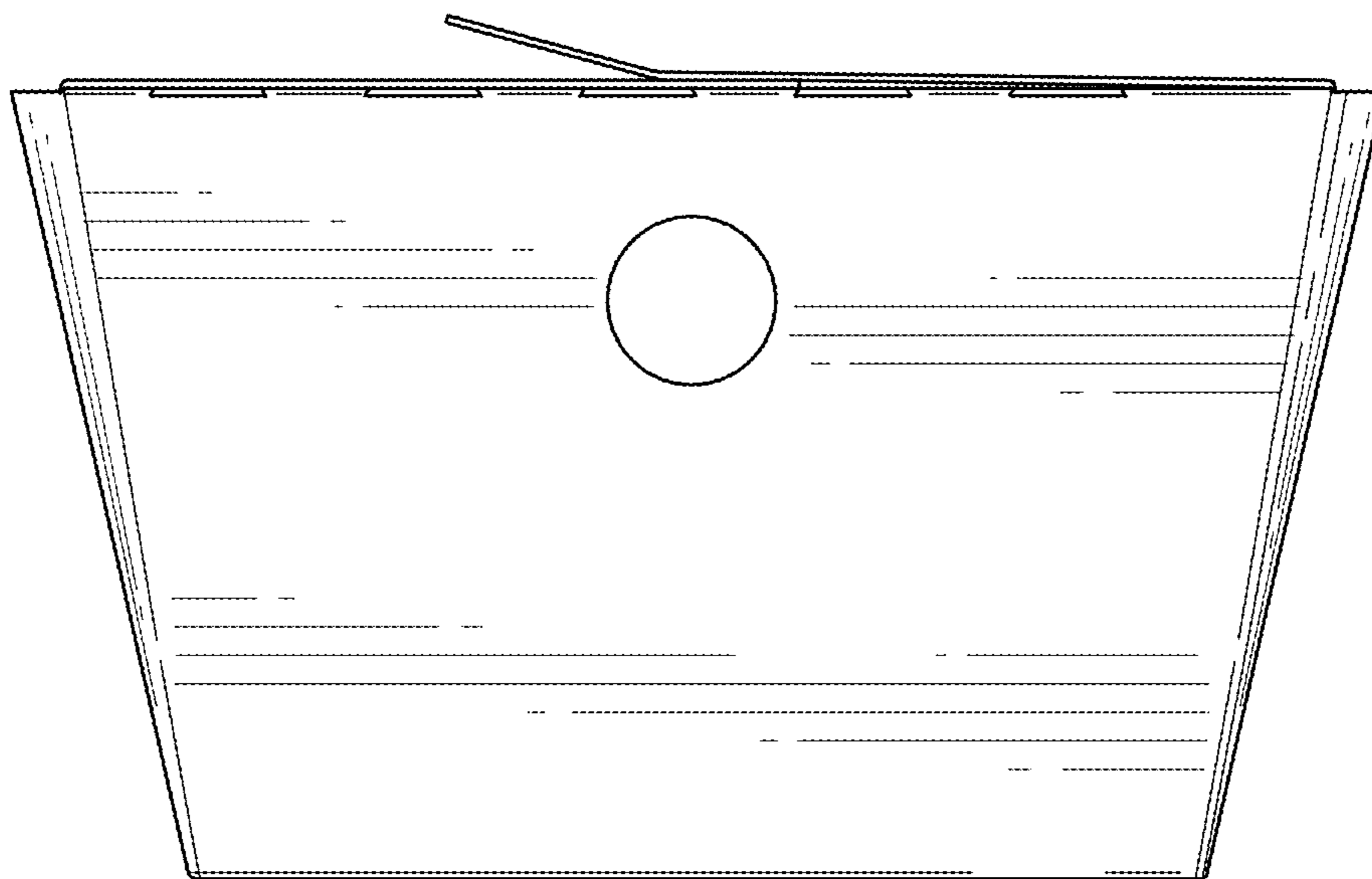


FIG. 4

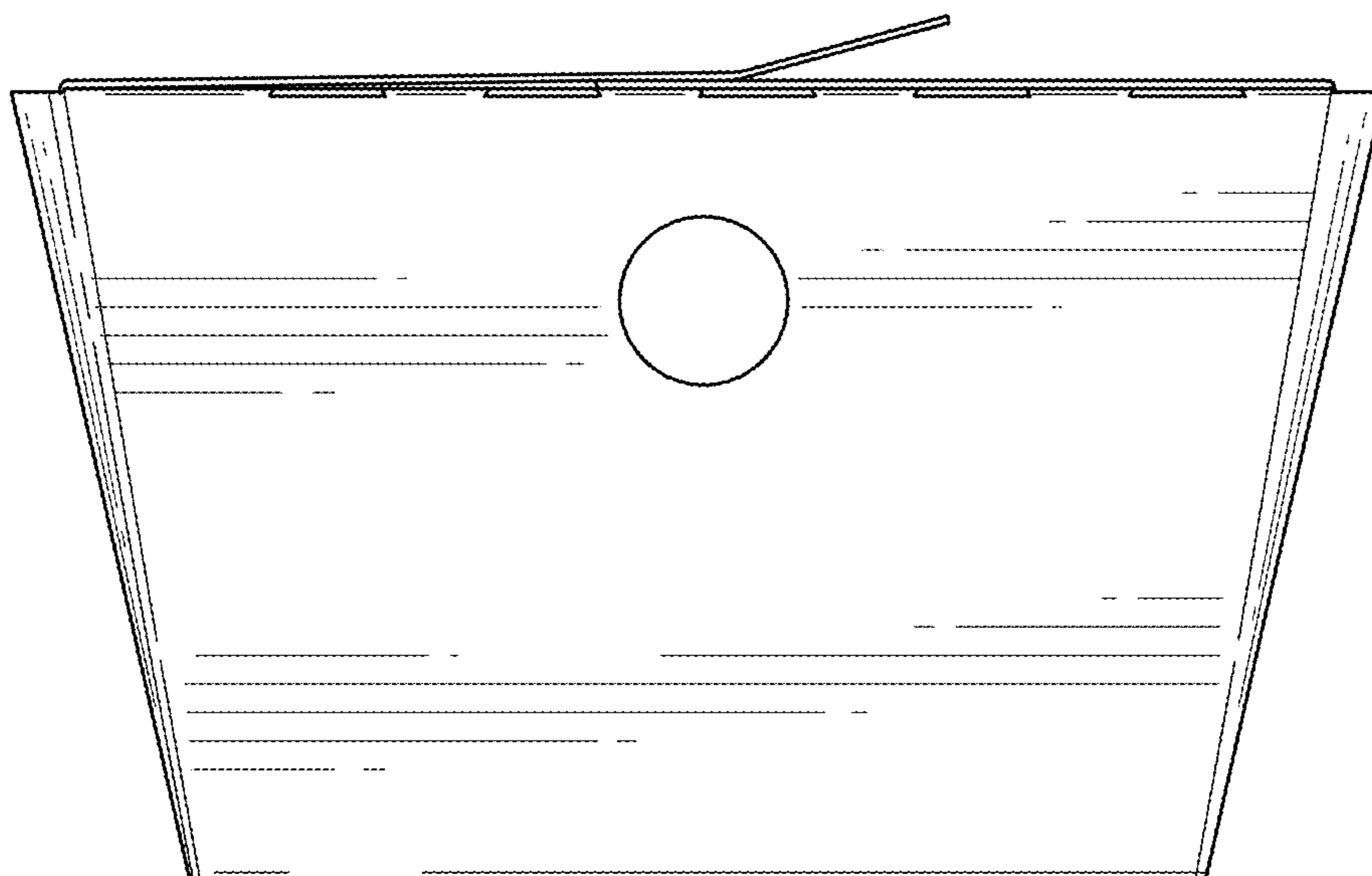


FIG. 5

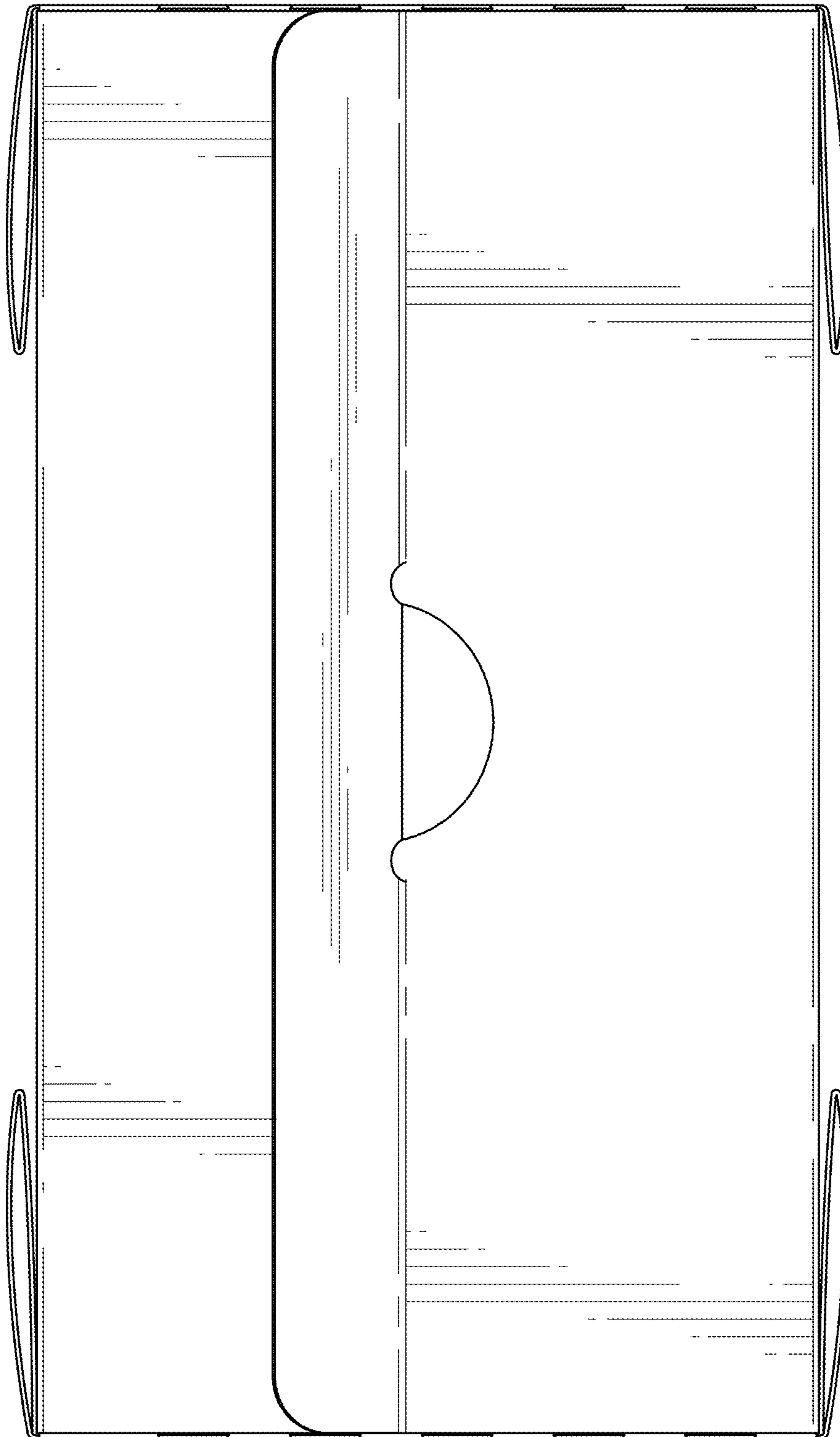


FIG. 6

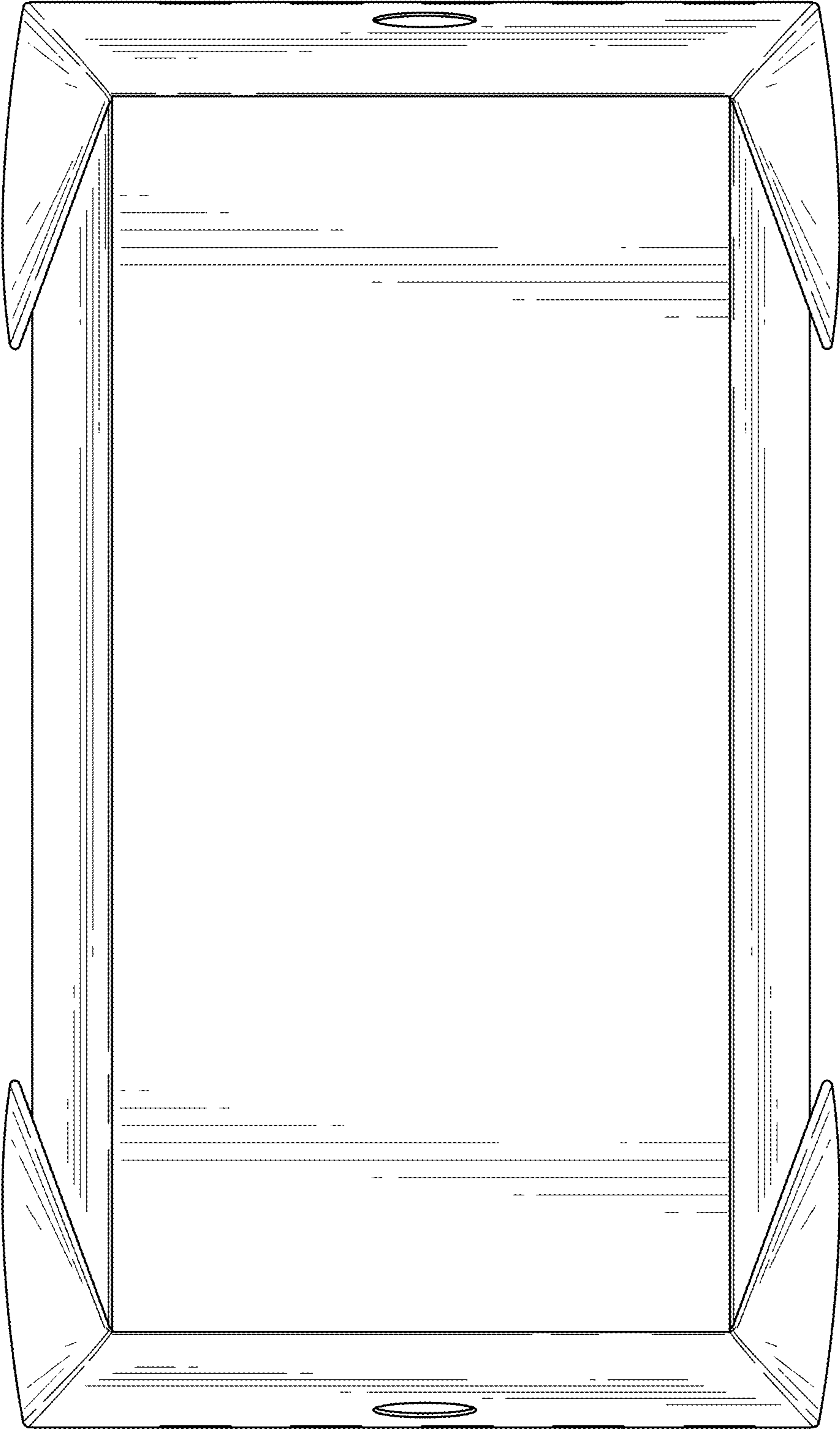


FIG. 7

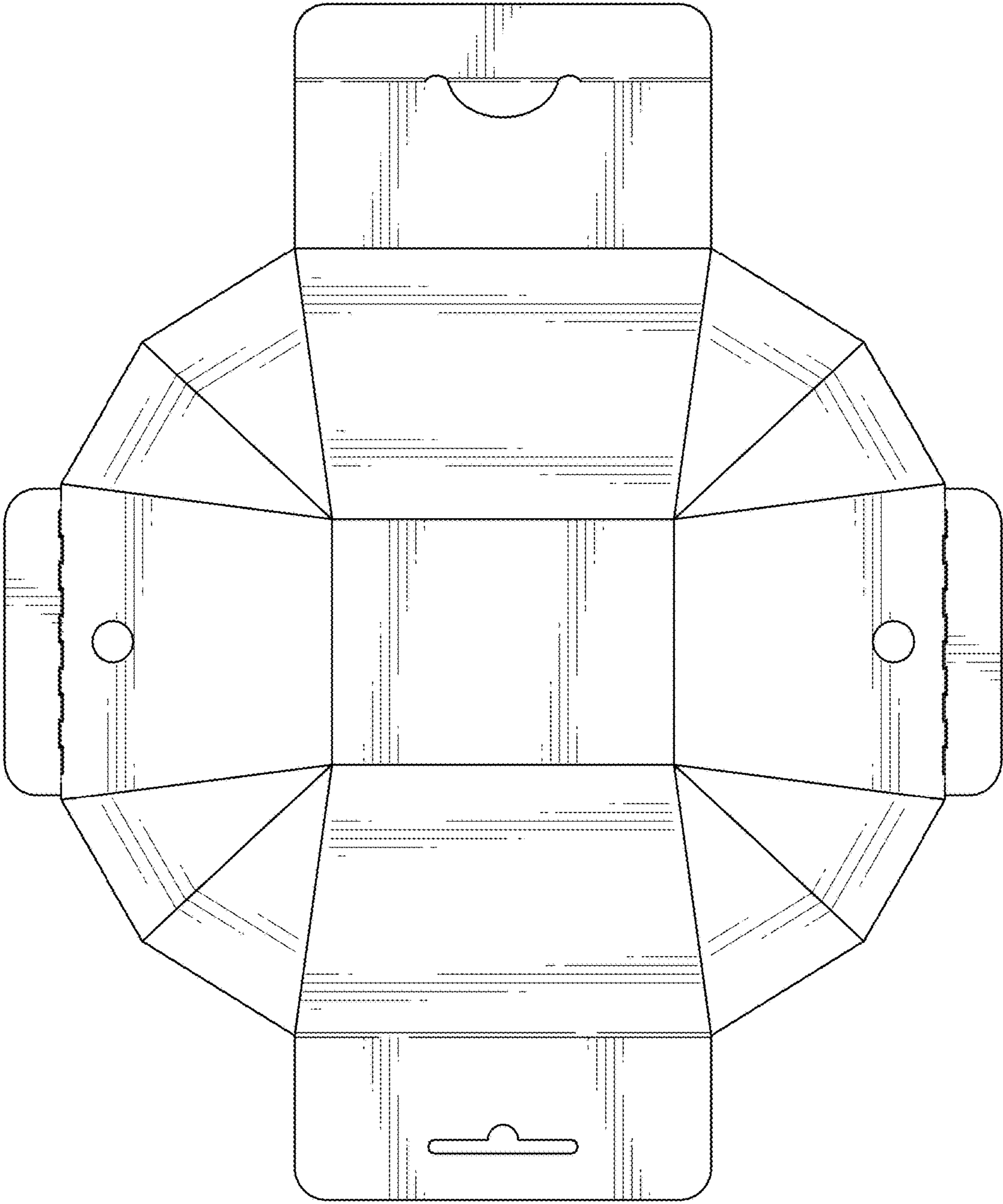


FIG. 8



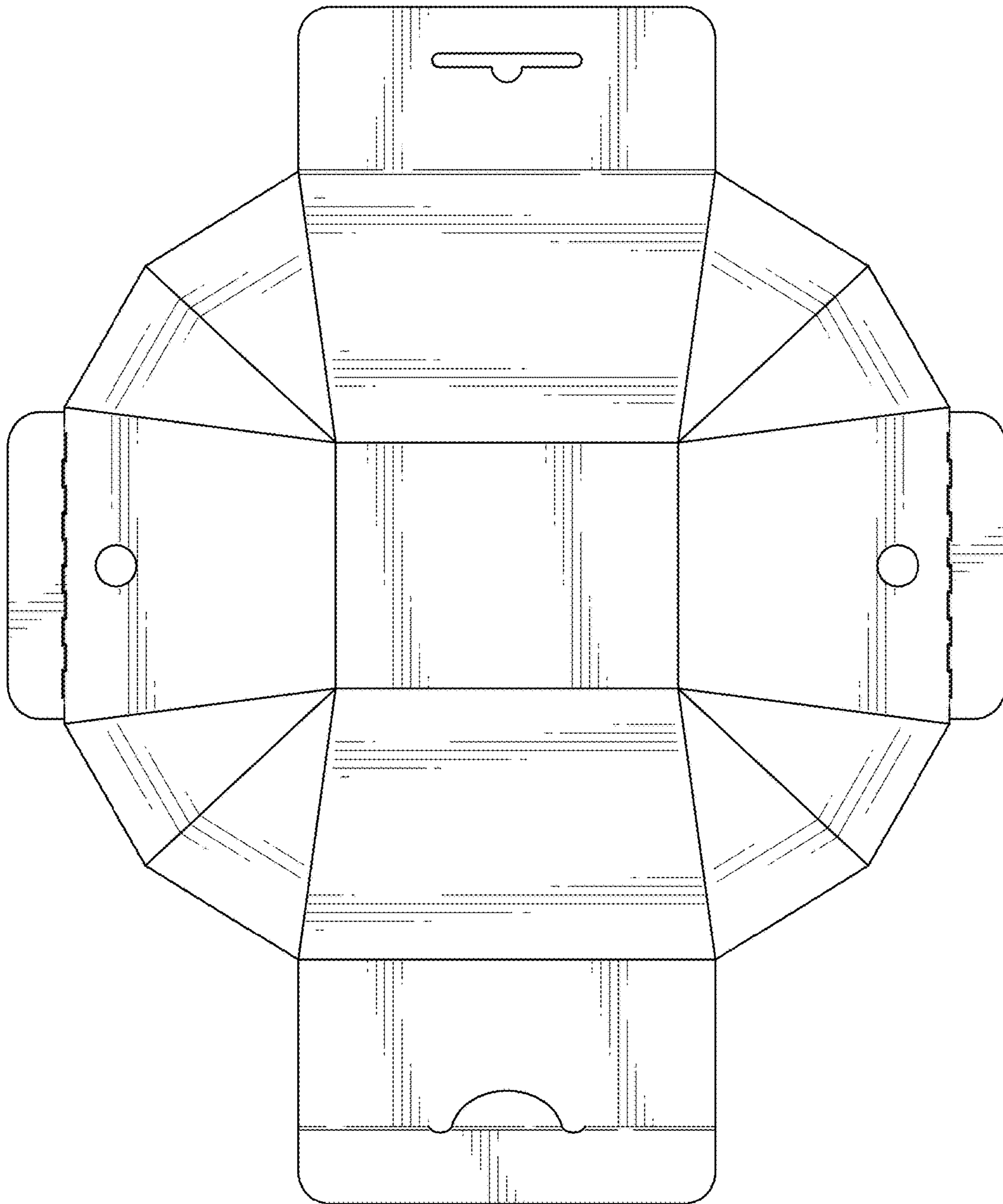


FIG. 9