



US00D848832S

(12) **United States Design Patent** (10) **Patent No.:** **US D848,832 S**
Blomberg et al. (45) **Date of Patent:** **** May 21, 2019**

- (54) **SQUEEZE TO OPEN CONTAINER**
- (71) Applicant: **POLLEN GEAR LLC**, New York, NY (US)
- (72) Inventors: **Shane Grant Blomberg**, Brooklyn, NY (US); **Edward Kilduff**, New York, NY (US)
- (73) Assignee: **POLLEN GEAR LLC**, Hermosa Beach, CA (US)
- (**) Term: **15 Years**
- (21) Appl. No.: **29/601,823**
- (22) Filed: **Apr. 26, 2017**

Related U.S. Application Data

- (63) Continuation-in-part of application No. 29/589,022, filed on Dec. 27, 2016, which is a continuation-in-part of application No. 29/583,722, filed on Nov. 8, 2016.
- (51) **LOC (11) Cl.** **09-03**
- (52) **U.S. Cl.**
USPC **D9/420; D9/428**
- (58) **Field of Classification Search**
USPC D9/414-434, 442-445, 456, 457, 542, D9/563, 600, 614-624, 648, 655, 657, D9/658, 661, 685, 696, 697-699, 707, D9/711, 754, 759, 772-776; D7/601, D7/602, 709; D3/273, 276, 304, 309-313
CPC B65D 5/00; B65D 5/001; B65D 5/0015; B65D 5/0227-5/0254; B65D 5/18; B65D 5/38; B65D 5/40; B65D 5/2033; B65D 5/48024; B65D 5/6605; B65D 1/22; B65D 1/24; B65D 1/34; B65B 5/06
See application file for complete search history.

(56) **References Cited**

U.S. PATENT DOCUMENTS

- 2,387,392 A 10/1945 Guyer et al.
- 2,606,586 A 8/1952 Hill
- 4,148,420 A 4/1979 Morrissette et al.

- 4,830,206 A 5/1989 Fisher
- D302,659 S * 8/1989 Peterson D9/529
- D310,617 S * 9/1990 Pozzi D7/538
- D336,244 S 6/1993 Arai
- D379,923 S 6/1997 Baschmakoff
- D401,116 S * 11/1998 Demore D7/602
- D455,261 S * 4/2002 Browne D3/263
- D466,012 S 11/2002 Baker
- D481,942 S 11/2003 Elgebrant
- D500,641 S * 1/2005 Wolf D7/629
- 6,860,397 B1 3/2005 Walters
- D521,811 S 5/2006 Yourist
- D546,175 S * 7/2007 Sainz D9/420
- D555,490 S * 11/2007 Liu D9/549
- 7,413,096 B2 8/2008 Morgan et al.
- D598,738 S * 8/2009 Supranowicz D9/420
- D599,032 S 8/2009 Bucholtz et al.
- D601,857 S * 10/2009 Carlson D7/602
- D614,949 S 5/2010 Schmidt
- D616,753 S * 6/2010 Beam D9/420
- D628,479 S 12/2010 Snedden et al.
- D666,904 S 9/2012 Snedden et al.
- D669,777 S * 10/2012 Brown D9/424
- D688,126 S 8/2013 Snedden et al.
- D696,078 S * 12/2013 Allen D7/629
- D726,071 S 4/2015 Aoyama
- D731,303 S 6/2015 Daggett
- D744,826 S * 12/2015 Giraud D9/420
- D748,468 S 2/2016 Angeloni et al.
- D749,420 S * 2/2016 Kahlau D9/420
- D763,072 S * 8/2016 Morgan D9/428
- D763,681 S * 8/2016 Morgan D9/428
- D790,335 S 6/2017 Honings et al.
- D794,464 S * 8/2017 Graenitz D9/529
- D801,808 S 11/2017 Irimia et al.
- D808,791 S * 1/2018 Johnston D9/420
- D821,869 S 7/2018 Cheng et al.
- D823,680 S 7/2018 Forecast
- 2005/0035150 A1 2/2005 Laverdure
- 2006/0043100 A1 3/2006 Johnson et al.

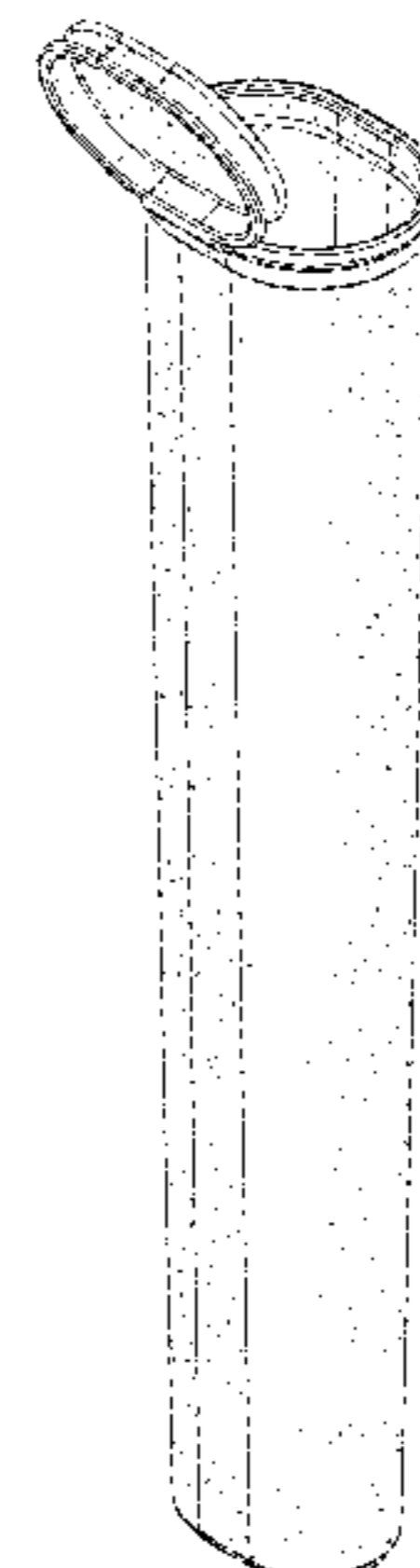
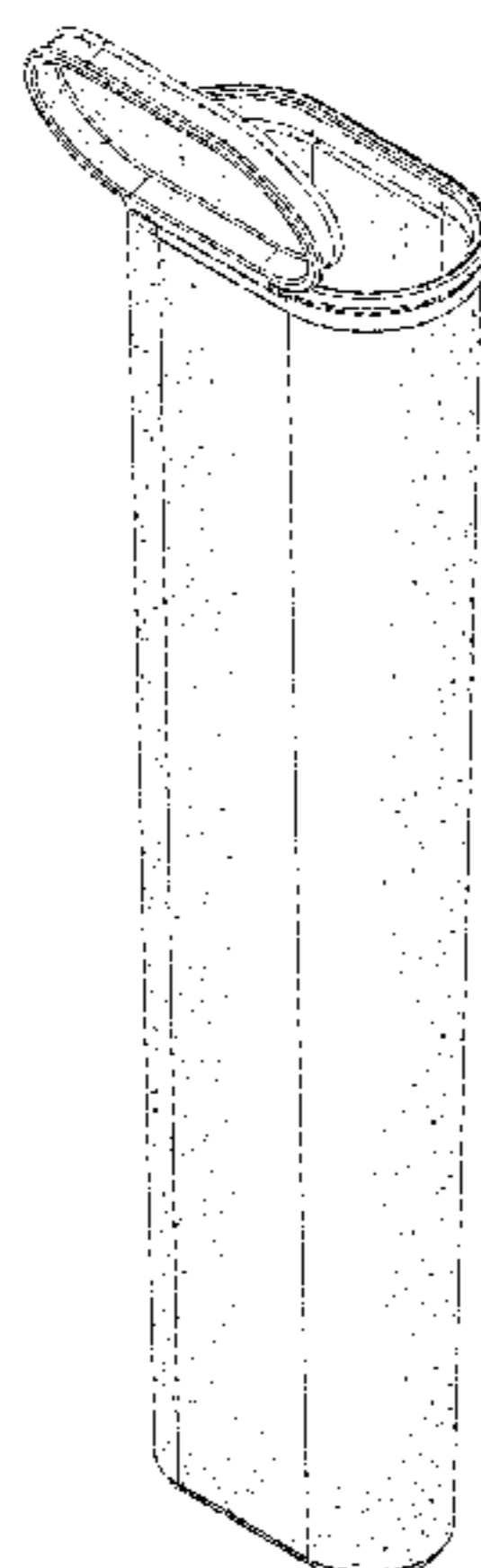
OTHER PUBLICATIONS

Pop Box. Online, published date May 12, 2017. Retrieved on Mar. 23, 2018 from URL: <https://www.pollengear.com/pop-box/>.*

Modular Mates® Oval 1/Black. Online, published date unknown. Retrieved on May 16, 2018 from URL: <http://www.tupperware.com/modular-mates-oval-1-7826.html>.*

* cited by examiner

Primary Examiner — Susan Bennett Hattan



Assistant Examiner — Omeed Agilee
 (74) Attorney, Agent, or Firm — RMCK Law Group PLC

(57) **CLAIM**

The ornamental design for a squeeze to open container, as shown and described.

DESCRIPTION

FIG. 1 is a top perspective view of a first embodiment of a squeeze to open container in an open condition according to our new design.

FIG. 2 is a bottom perspective view of the squeeze to open container of FIG. 1.

FIG. 3 is a first side view of the squeeze to open container of FIG. 1.

FIG. 4 is a second side view of the squeeze to open container of FIG. 1.

FIG. 5 is a third side view of the squeeze to open container of FIG. 1.

FIG. 6 is a fourth side view of the squeeze to open container of FIG. 1.

FIG. 7 is an enlarged top view of the squeeze to open container of FIG. 1.

FIG. 8 is an enlarged bottom view of the squeeze to open container of FIG. 1.

FIG. 9 is a top perspective view of the first embodiment of the squeeze to open container of FIG. 1 in an open condition, shown drawn in a different technique.

FIG. 10 is a bottom perspective view of the squeeze to open container of FIG. 9.

FIG. 11 is a first side view of the squeeze to open container of FIG. 9.

FIG. 12 is a second side view of the squeeze to open container of FIG. 9.

FIG. 13 is a third side view of the squeeze to open container of FIG. 9.

FIG. 14 is a fourth side view of the squeeze to open container of FIG. 9.

FIG. 15 is an enlarged top view of the squeeze to open container of FIG. 9.

FIG. 16 is an enlarged bottom view of the squeeze to open container of FIG. 9.

FIG. 17 is a top perspective view of a second embodiment of a squeeze to open container in an open condition according to our new design.

FIG. 18 is a bottom perspective view of the squeeze to open container of FIG. 17.

FIG. 19 is a first side view of the squeeze to open container of FIG. 17.

FIG. 20 is a second side view of the squeeze to open container of FIG. 17.

FIG. 21 is a third side view of the squeeze to open container of FIG. 17.

FIG. 22 is a fourth side view of the squeeze to open container of FIG. 17.

FIG. 23 is an enlarged top view of the squeeze to open container of FIG. 17.

FIG. 24 is an enlarged bottom view of the squeeze to open container of FIG. 17.

FIG. 25 is a top perspective view of a second embodiment of the squeeze to open container of FIG. 17 in an open condition, shown drawn in a different technique.

FIG. 26 is a bottom perspective view of the squeeze to open container of FIG. 25.

FIG. 27 is a first side view of the squeeze to open container of FIG. 25.

FIG. 28 is a second side view of the squeeze to open container of FIG. 25.

FIG. 29 is a third side view of the squeeze to open container of FIG. 25.

FIG. 30 is a fourth side view of the squeeze to open container of FIG. 25.

FIG. 31 is an enlarged top view of the squeeze to open container of FIG. 25.

FIG. 32 is an enlarged bottom view of the squeeze to open container of FIG. 25.

FIG. 33 is a top perspective view of a third embodiment of a squeeze to open container in an open condition according to our new design.

FIG. 34 is a bottom perspective view of the squeeze to open container of FIG. 33.

FIG. 35 is a first side view of the squeeze to open container of FIG. 33.

FIG. 36 is a second side view of the squeeze to open container of FIG. 33.

FIG. 37 is a third side view of the squeeze to open container of FIG. 33.

FIG. 38 is a fourth side view of the squeeze to open container of FIG. 33.

FIG. 39 is an enlarged top view of the squeeze to open container of FIG. 33.

FIG. 40 is an enlarged bottom view of the squeeze to open container of FIG. 33.

FIG. 41 is a top perspective view of the third embodiment of the squeeze to open container of FIG. 33 in an open condition, shown drawn in a different technique.

FIG. 42 is a bottom perspective view of the squeeze to open container of FIG. 41.

FIG. 43 is a first side view of the squeeze to open container of FIG. 41.

FIG. 44 is a second side view of the squeeze to open container of FIG. 41.

FIG. 45 is a third side view of the squeeze to open container of FIG. 41.

FIG. 46 is a fourth side view of the squeeze to open container of FIG. 41.

FIG. 47 is an enlarged top view of the squeeze to open container of FIG. 41; and,

FIG. 48 is an enlarged bottom view of the squeeze to open container of FIG. 41.

1 Claim, 24 Drawing Sheets

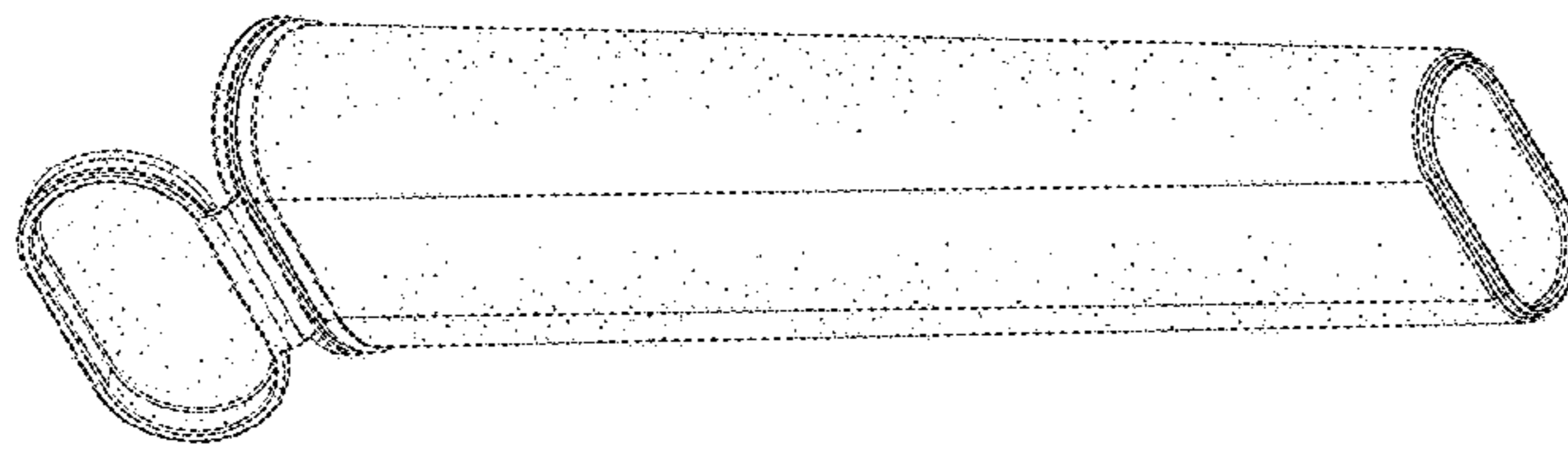


FIG. 2

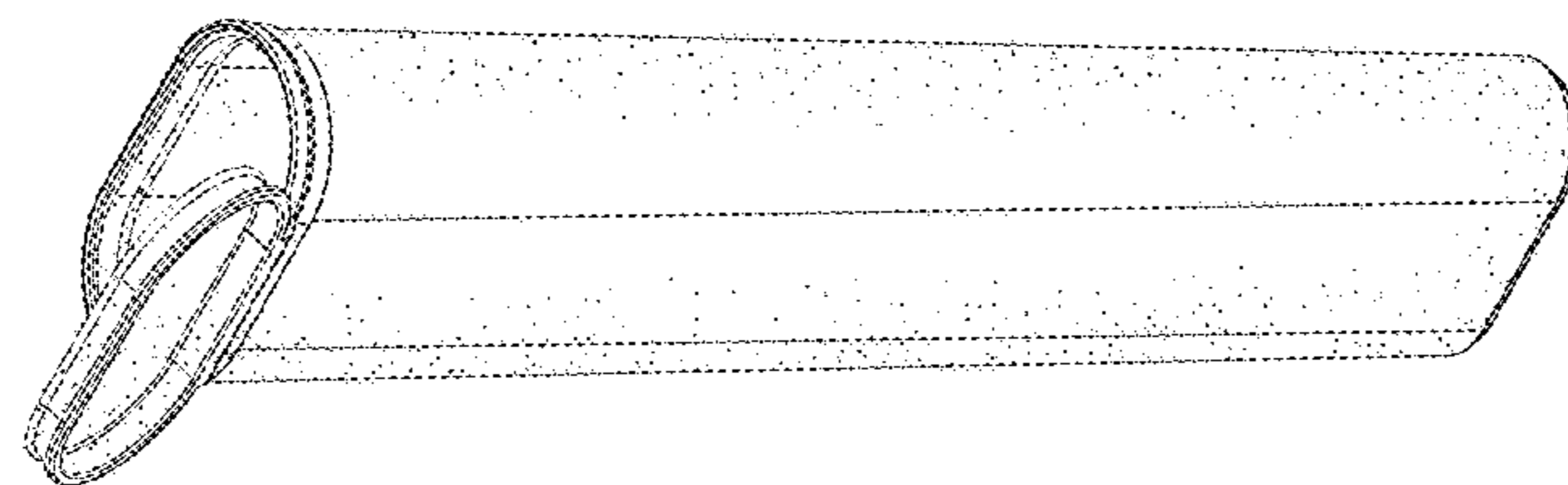


FIG. 1

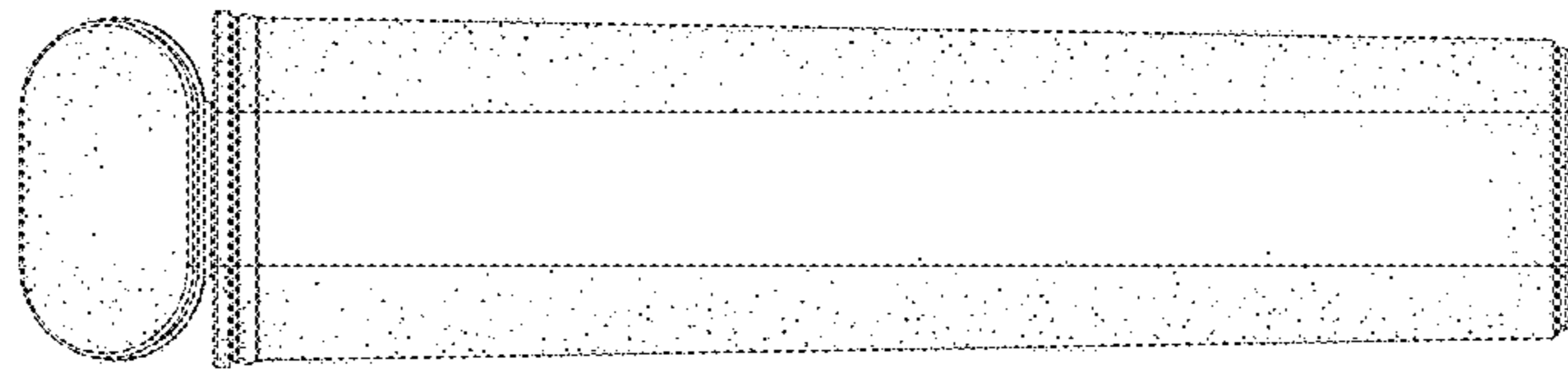


FIG.4

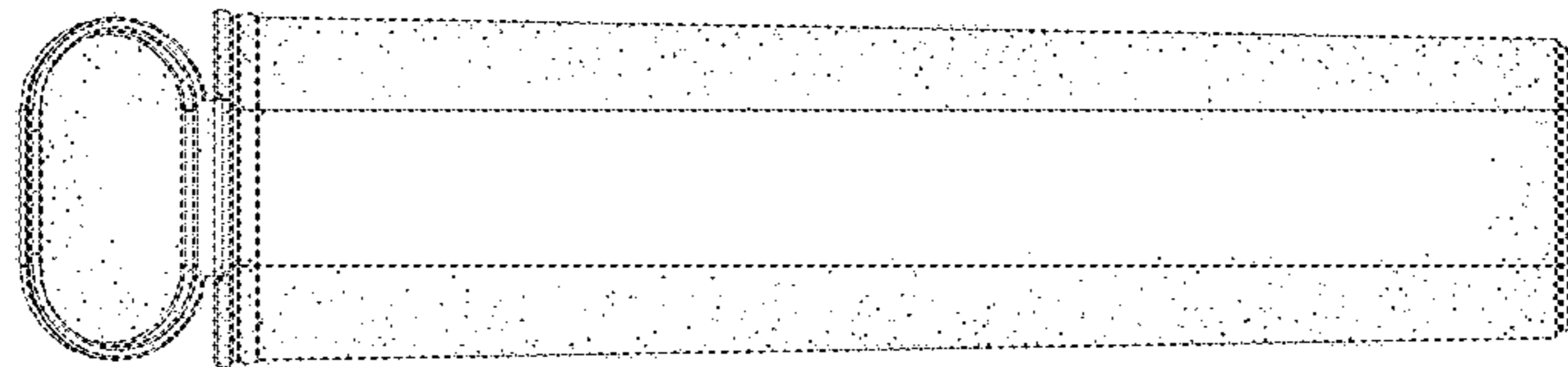


FIG.3

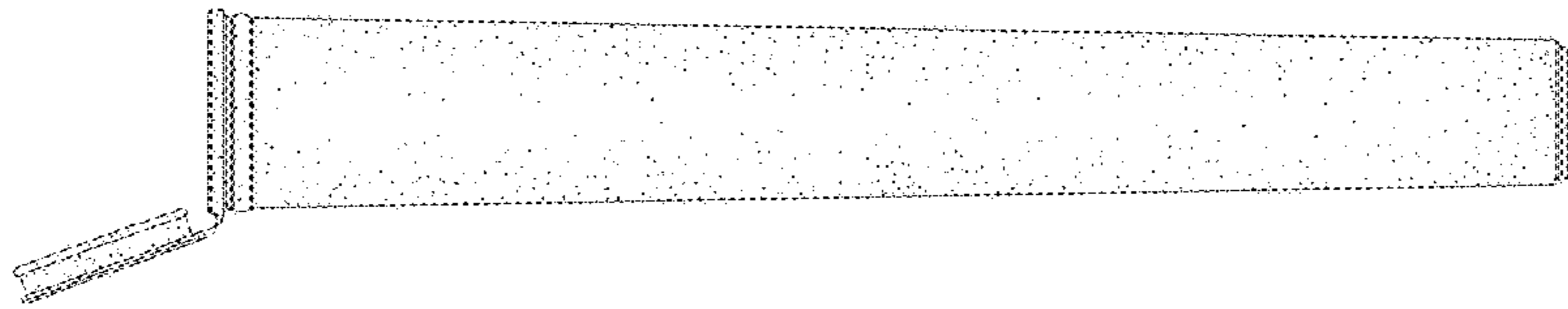


FIG. 6

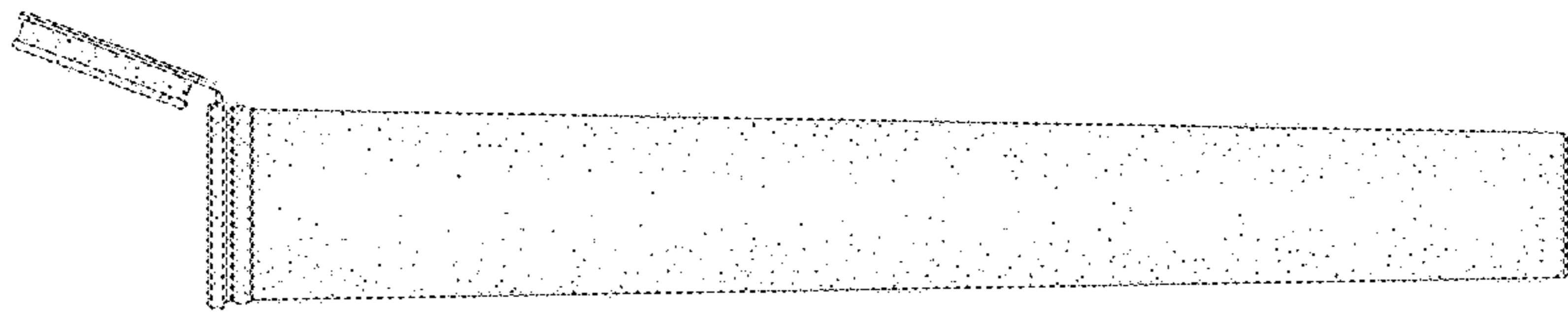


FIG. 5

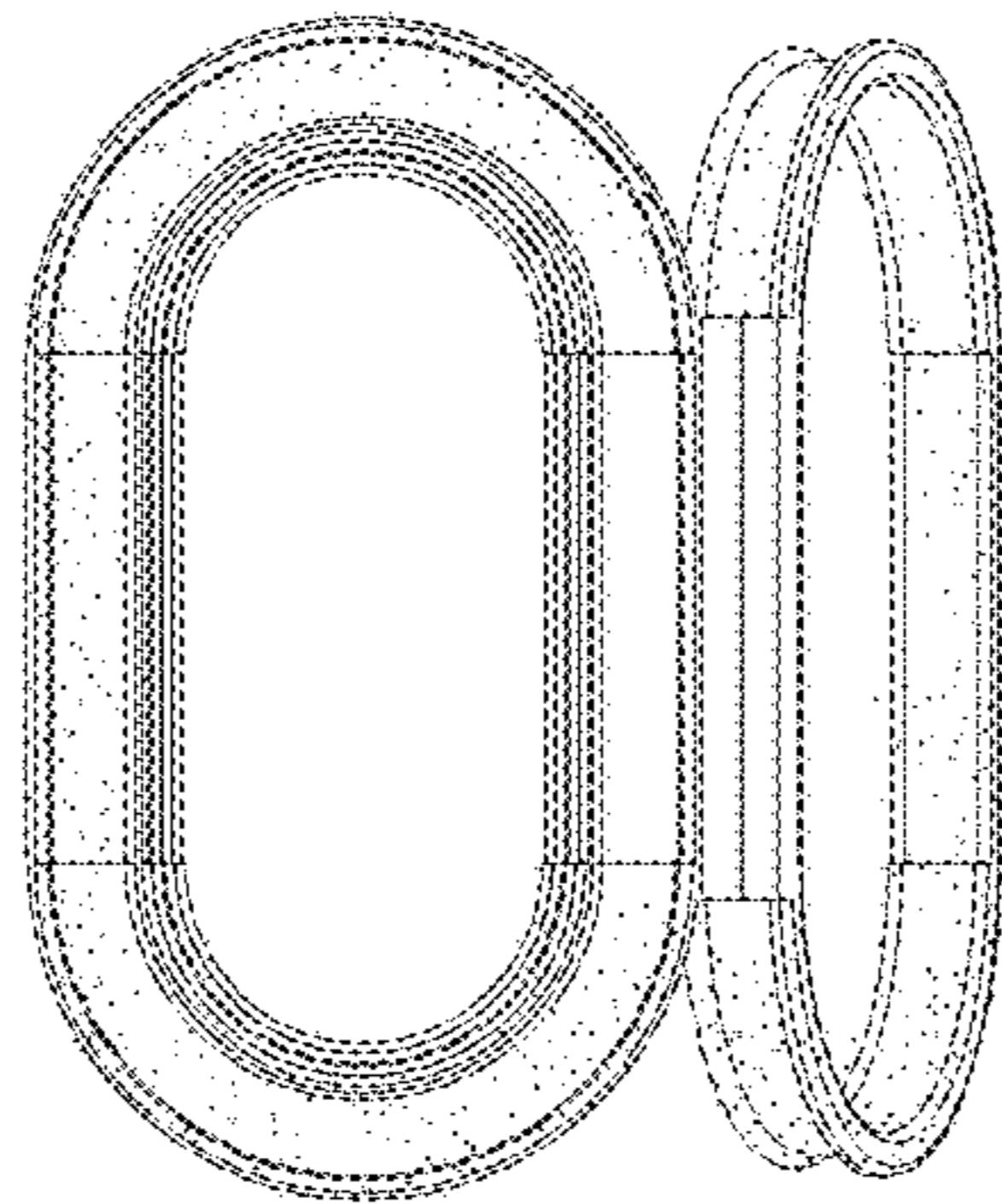


FIG. 8

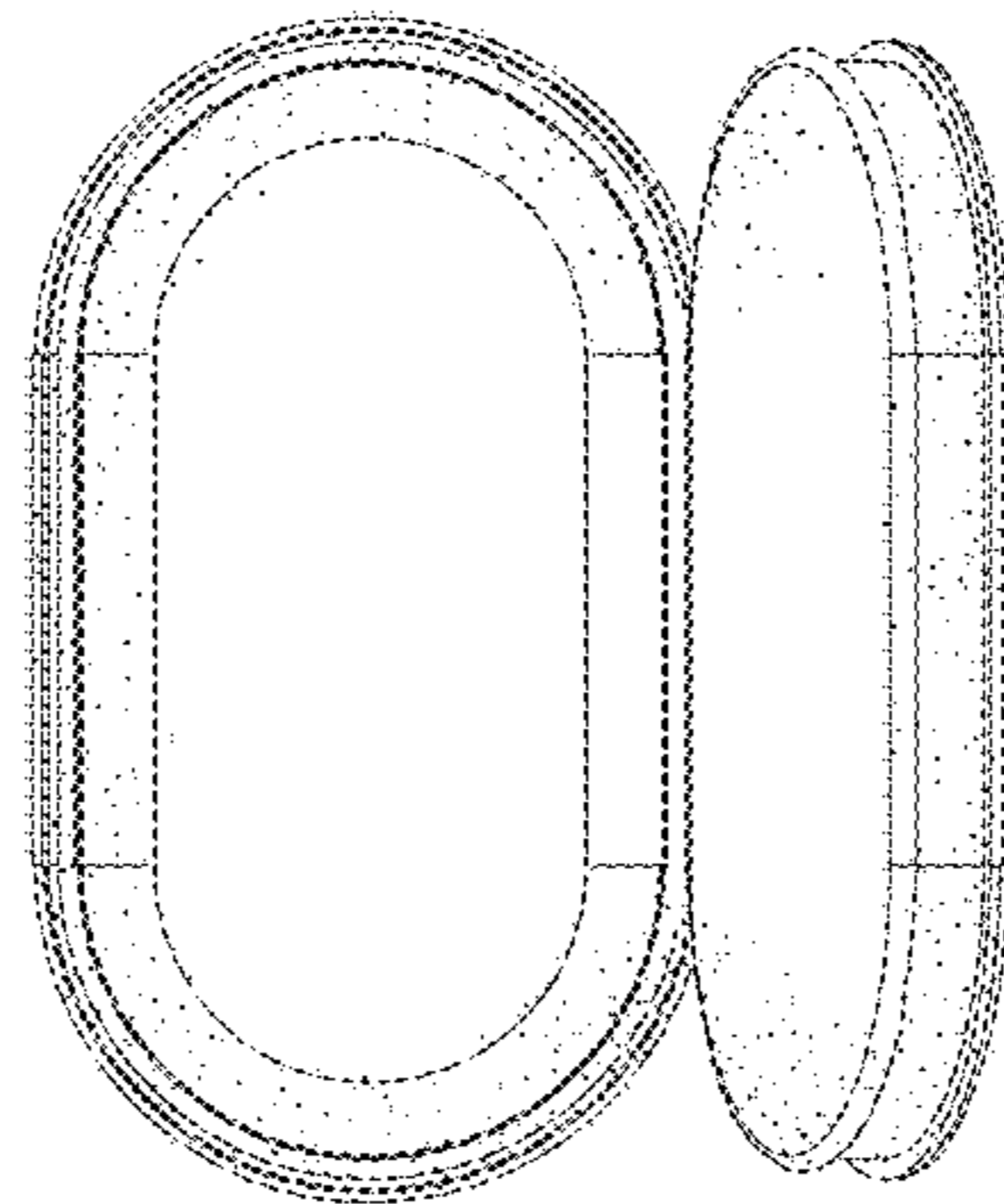


FIG. 7

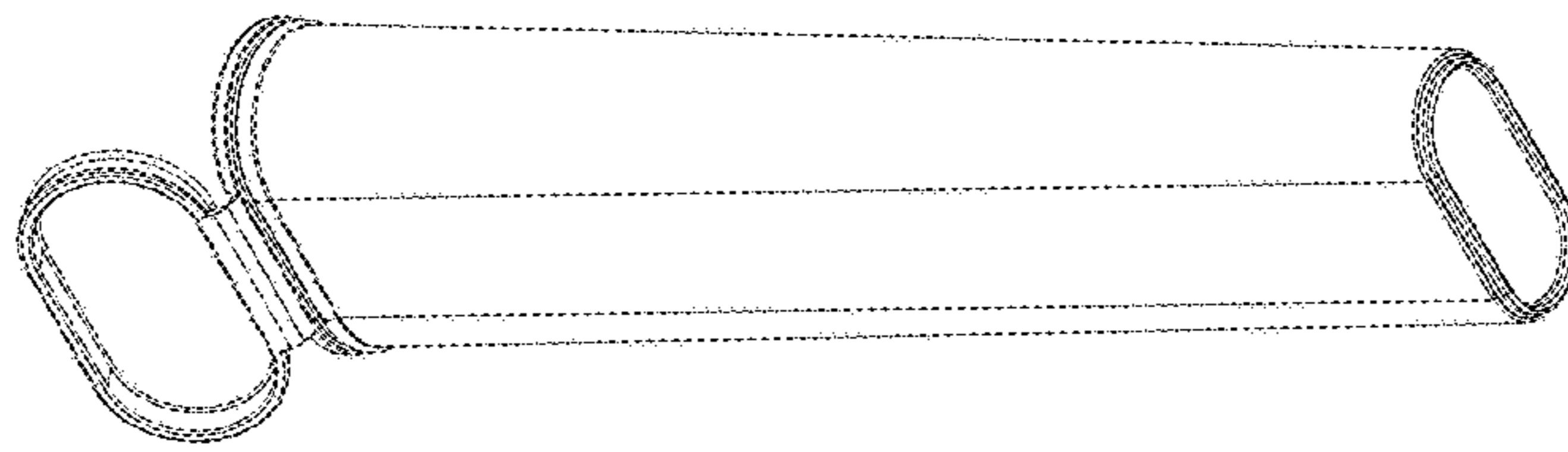


FIG. 10

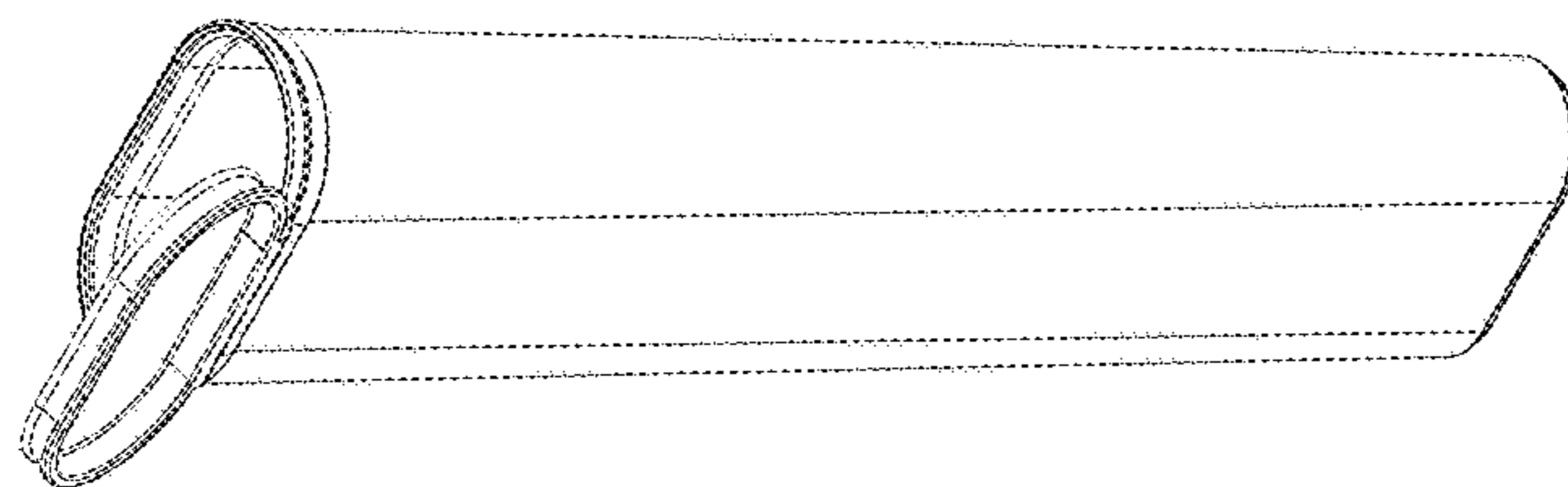


FIG. 9

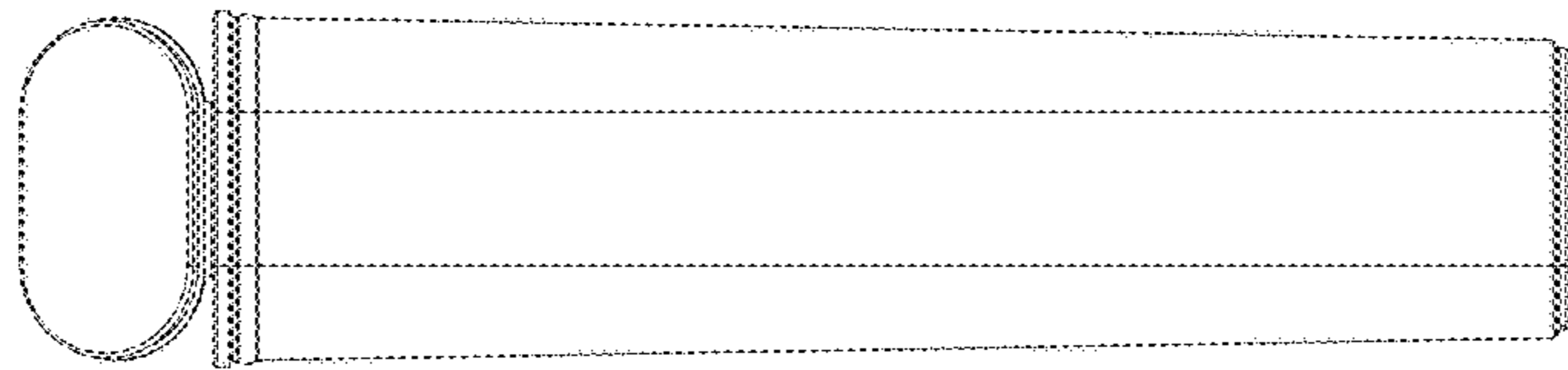


FIG.12

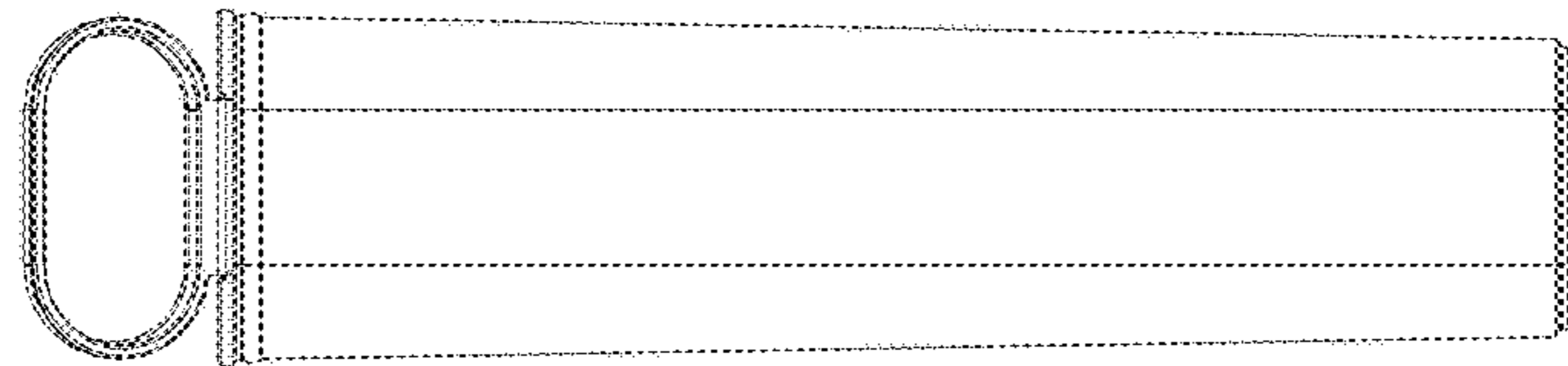


FIG.11

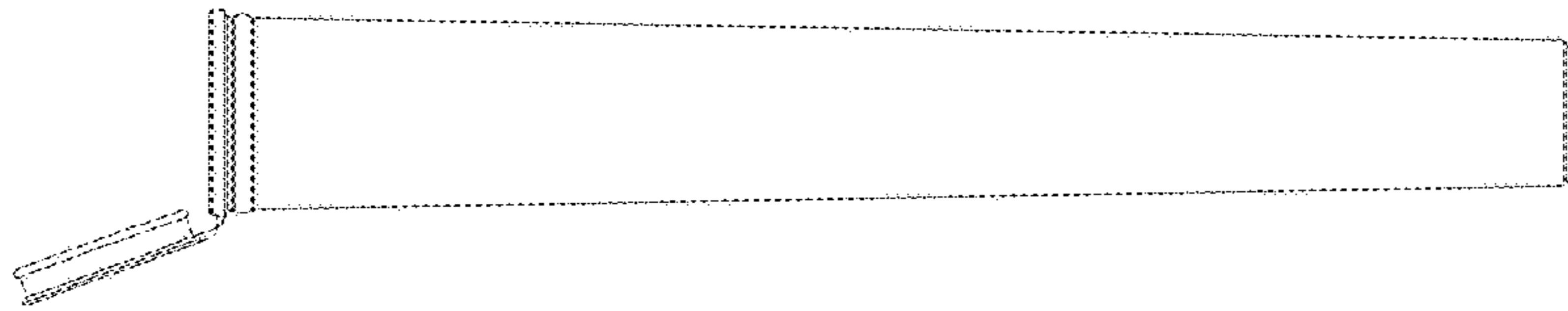


FIG. 14

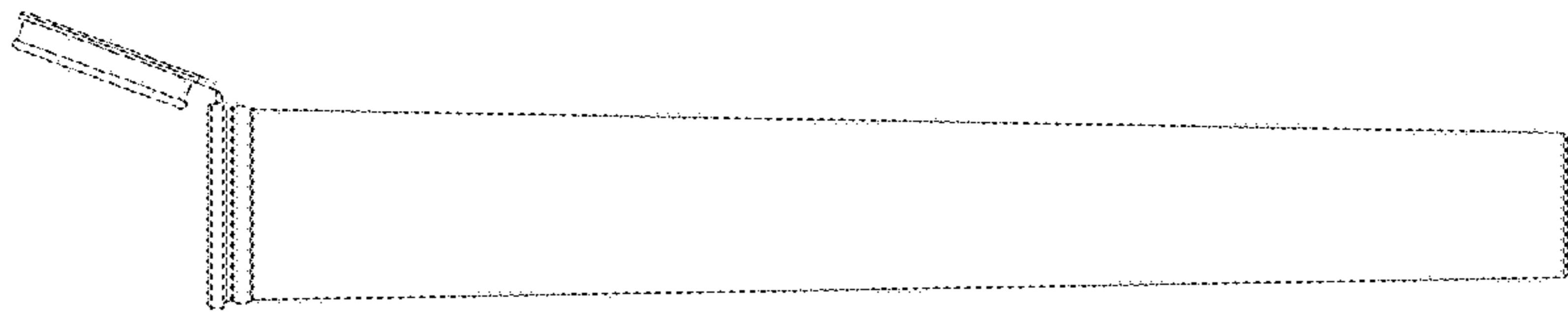


FIG. 13

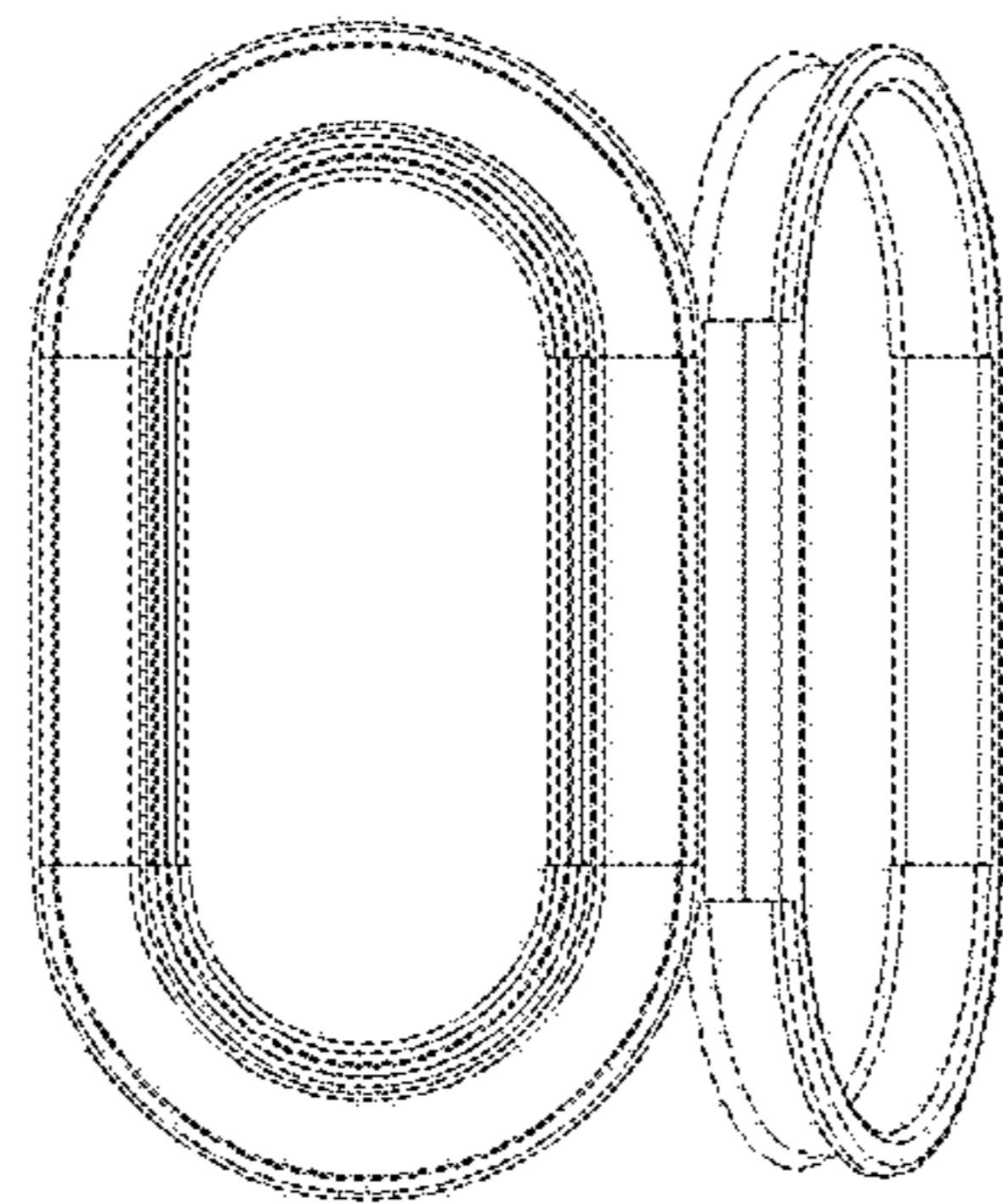


FIG. 16

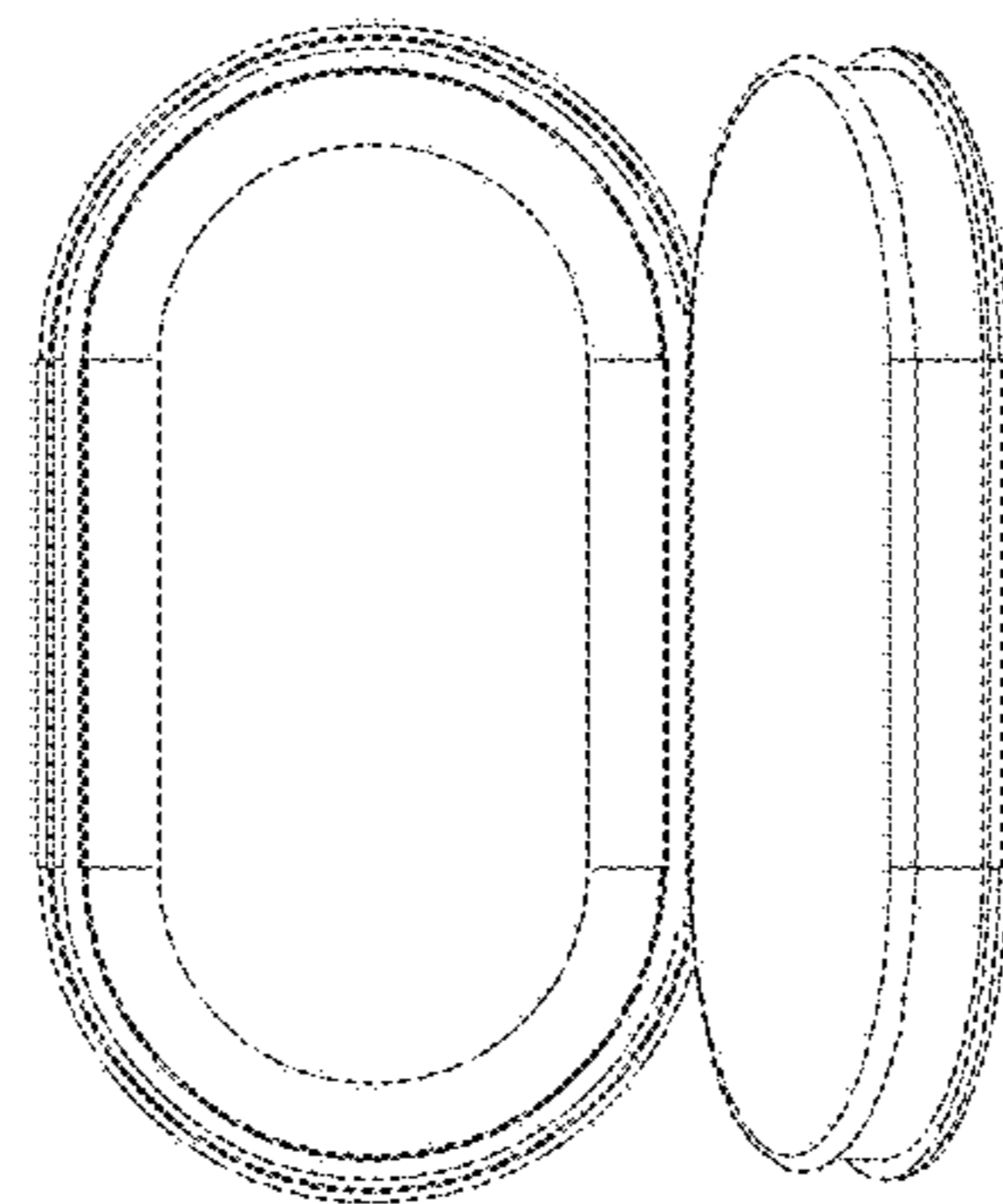


FIG. 15

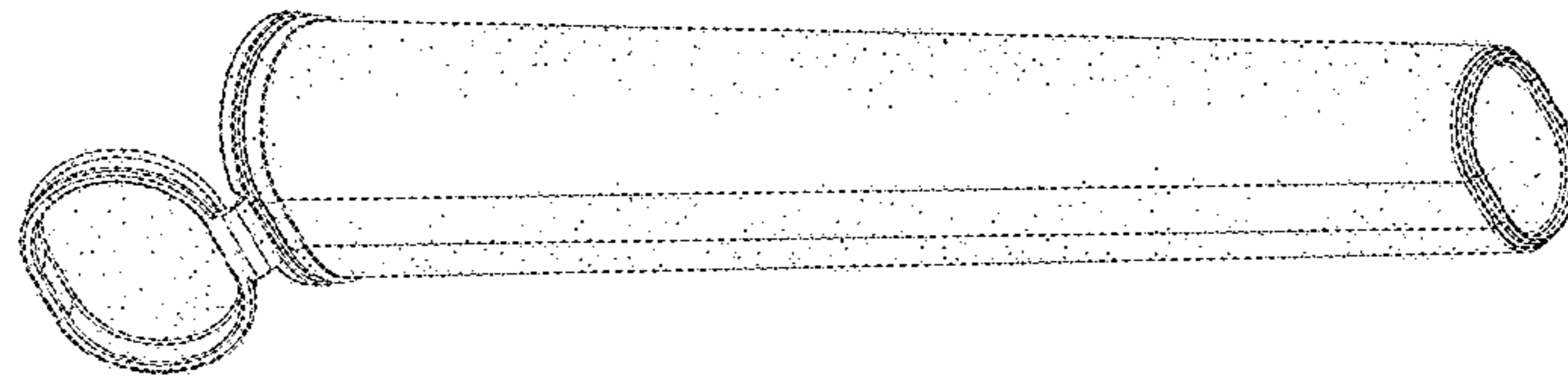


FIG. 18

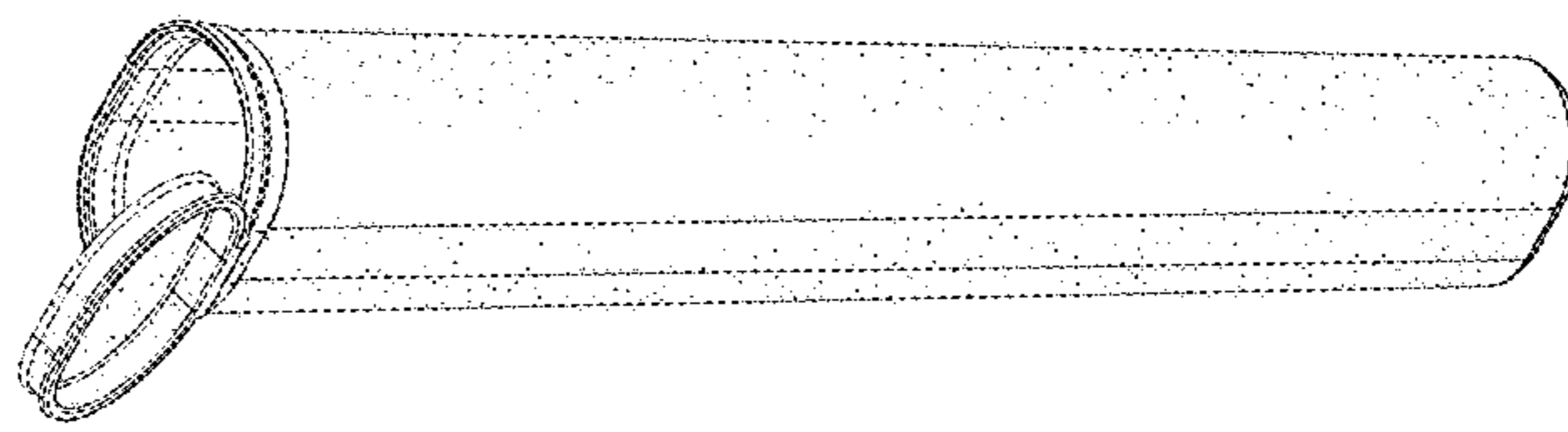


FIG. 17

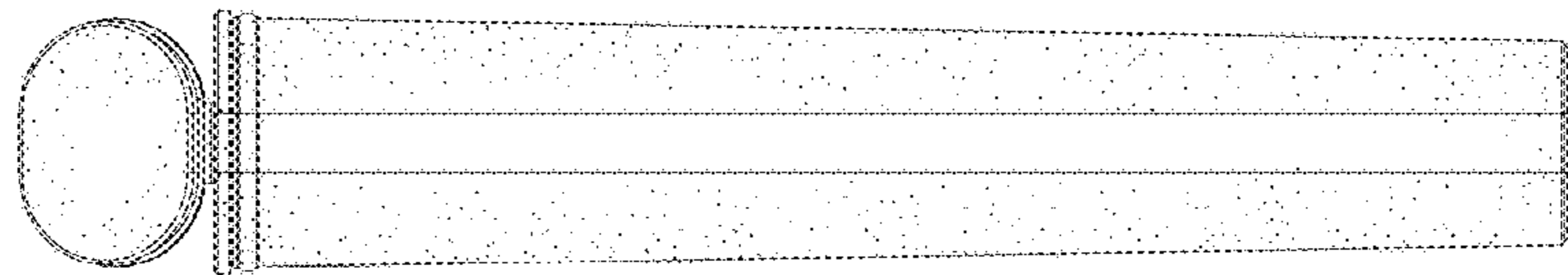


FIG. 20

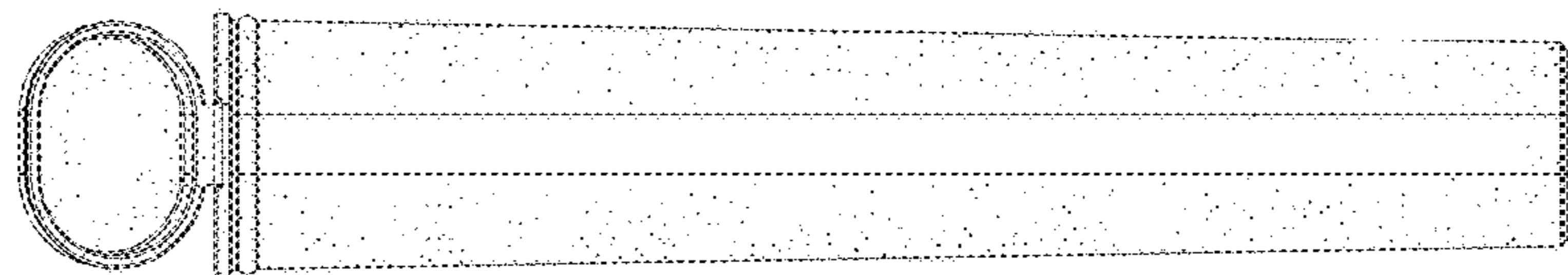


FIG. 19

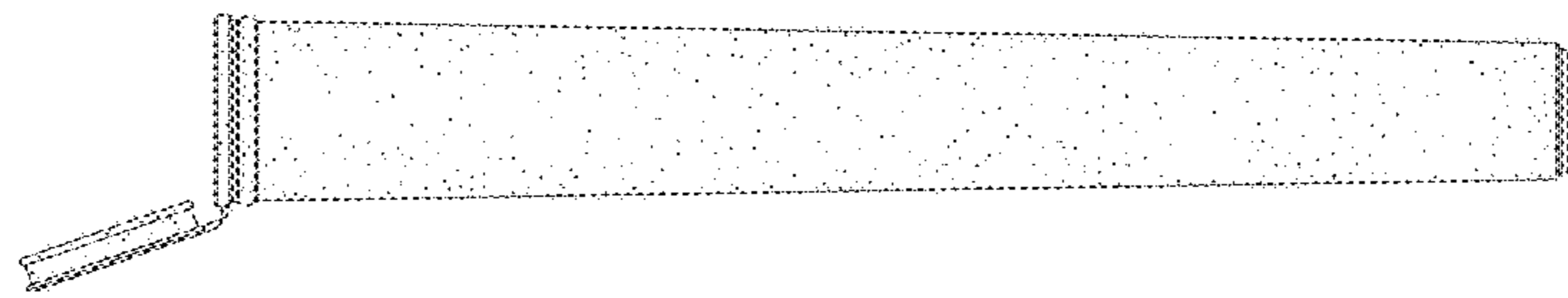


FIG. 22

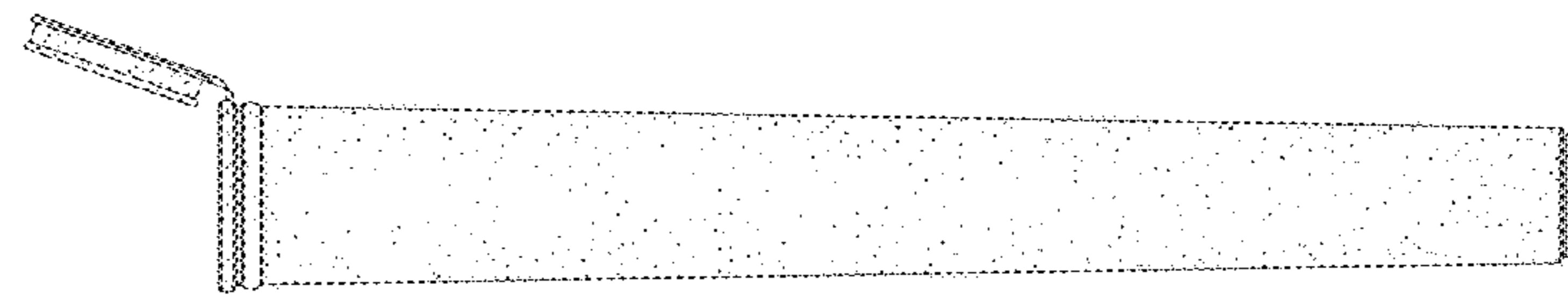


FIG. 21

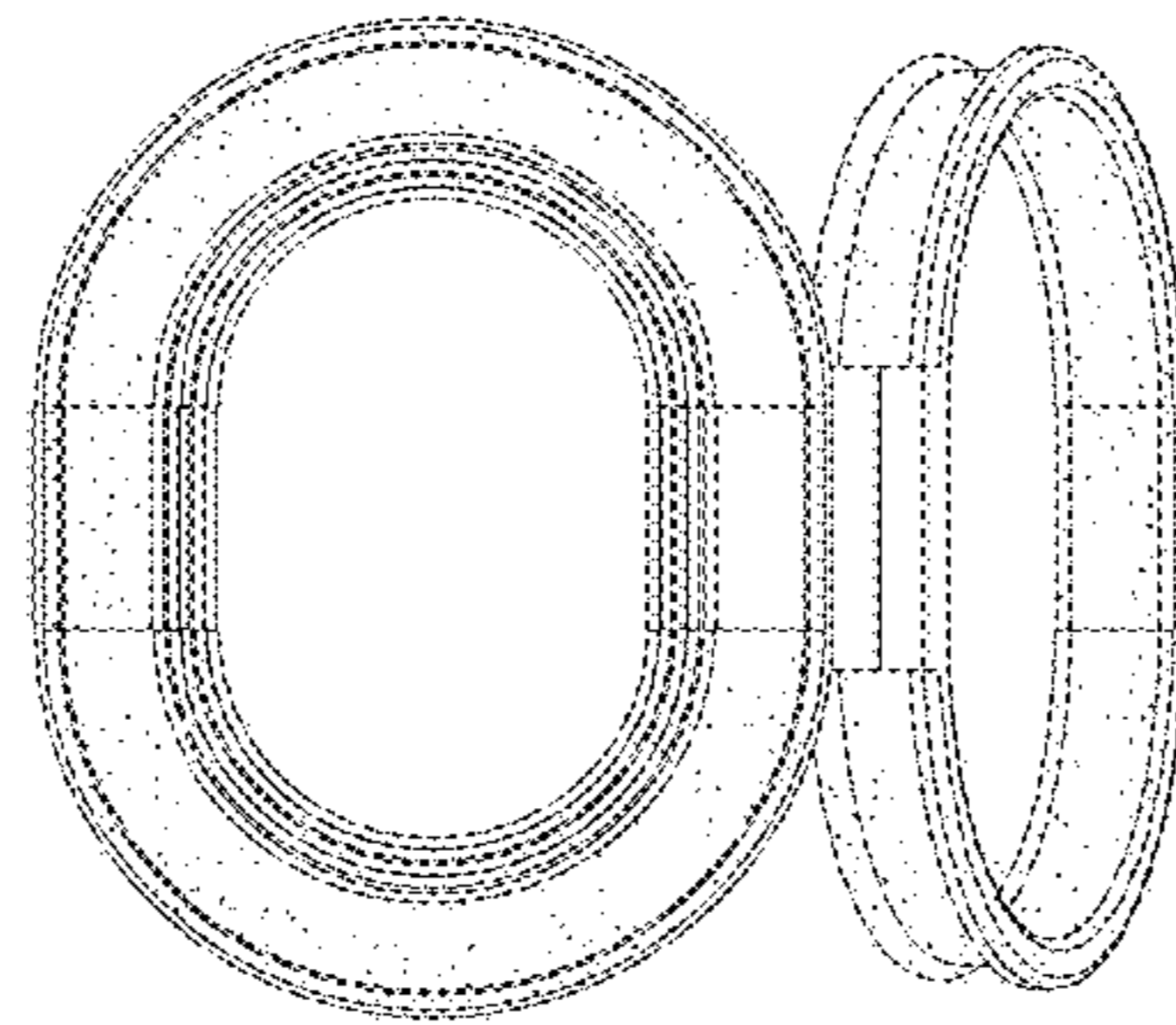


FIG. 24

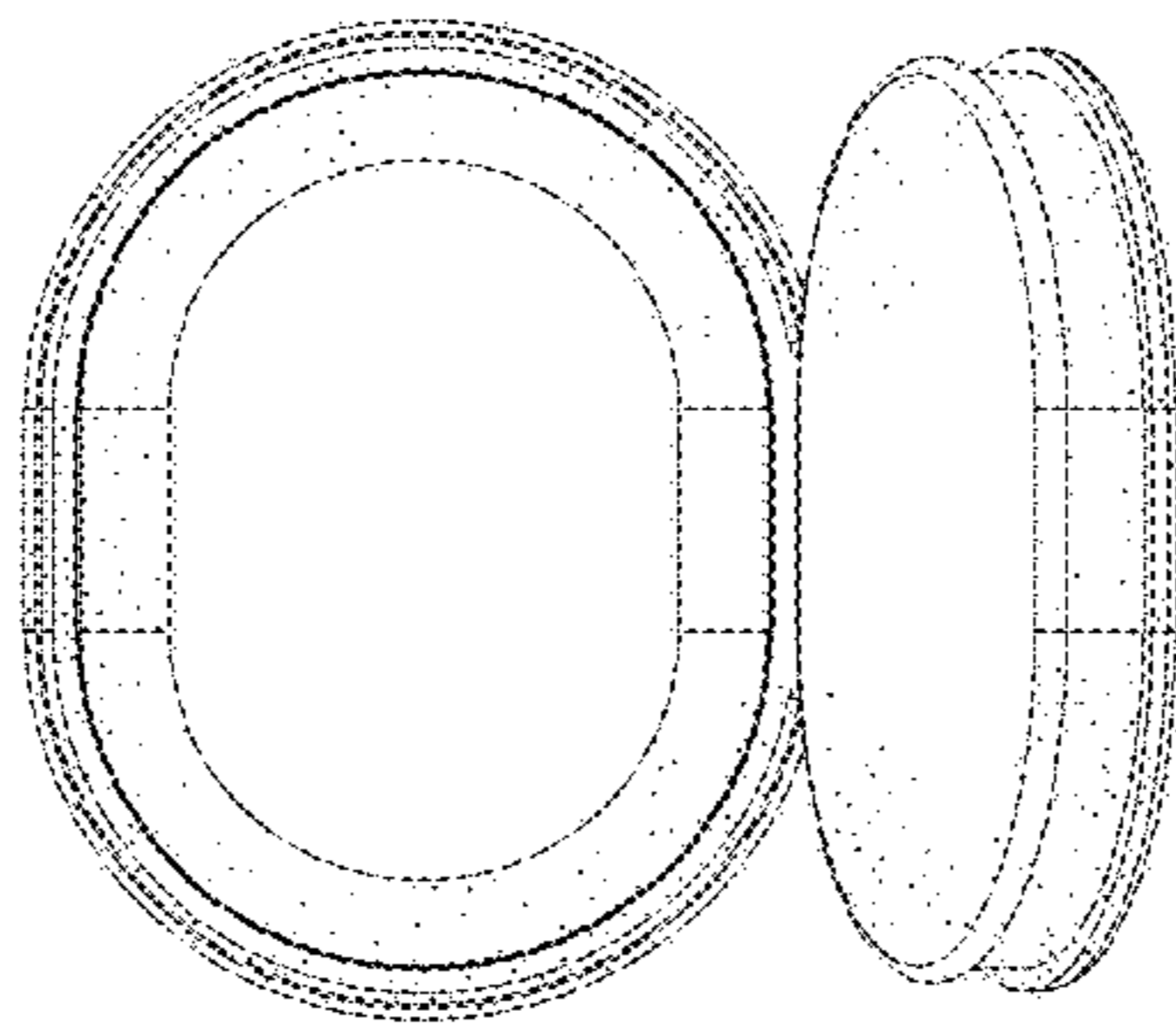


FIG. 23

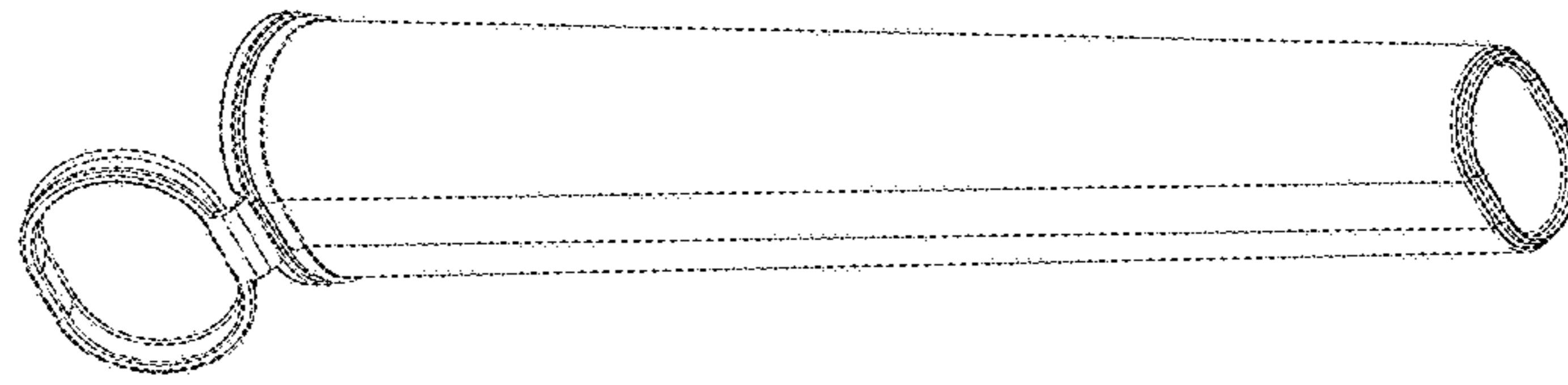


FIG. 26

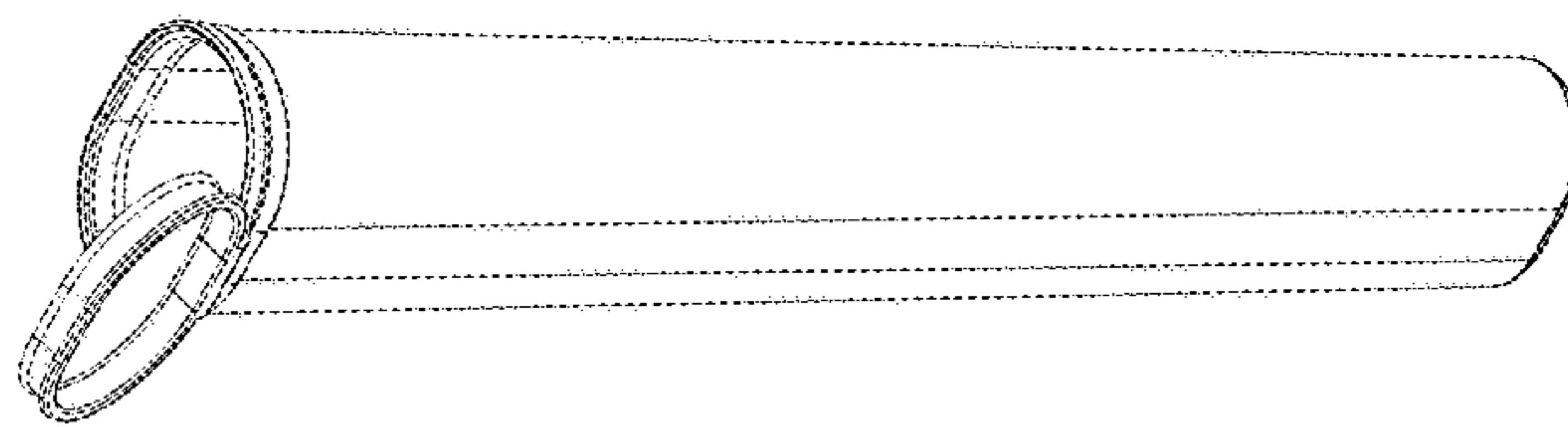


FIG. 25

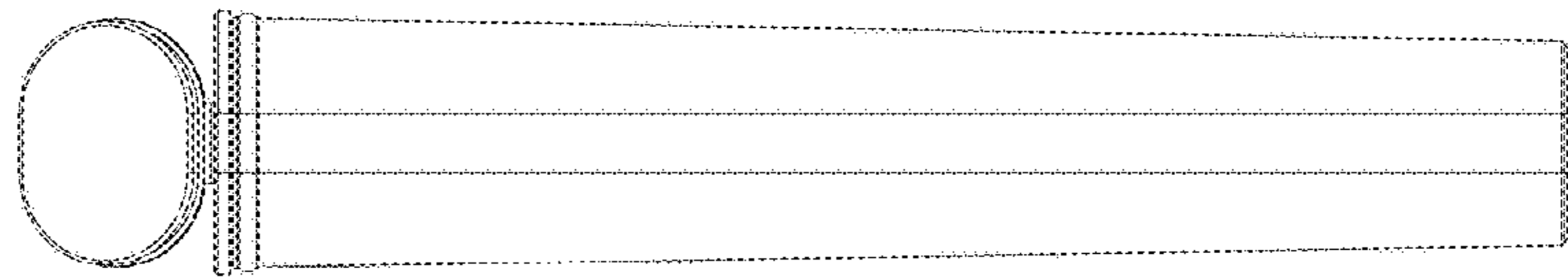


FIG. 28

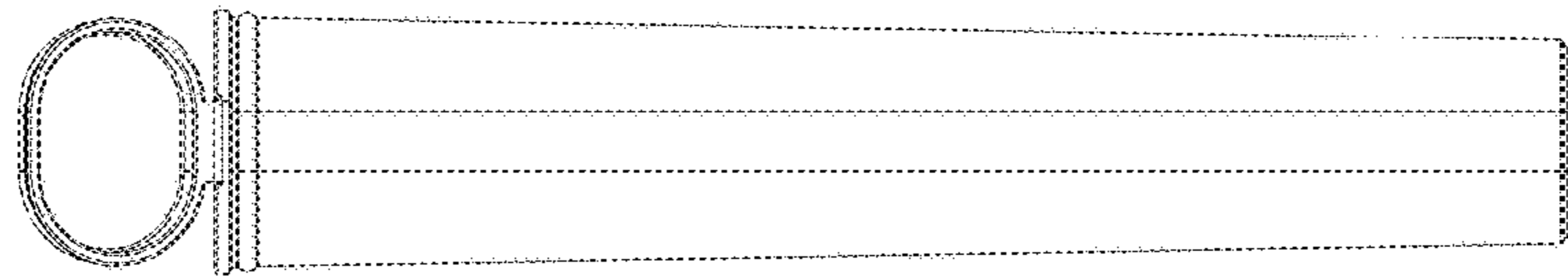


FIG. 27

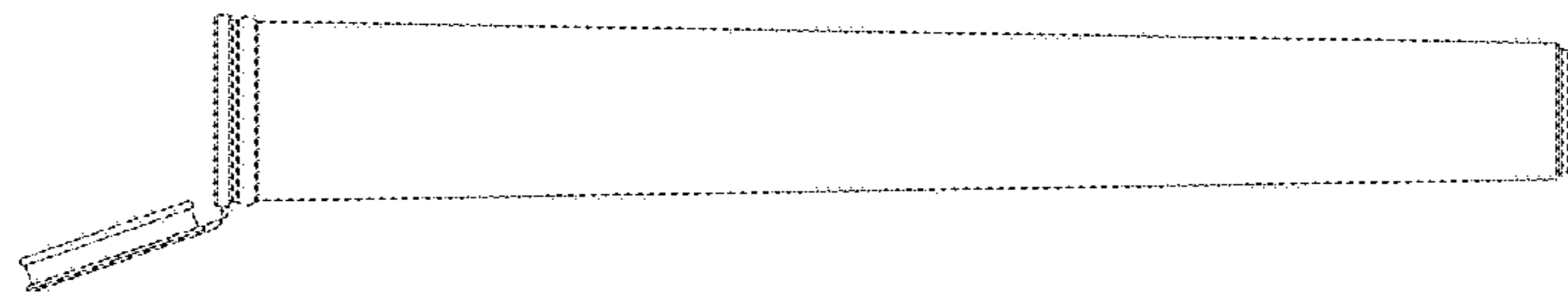


FIG. 30

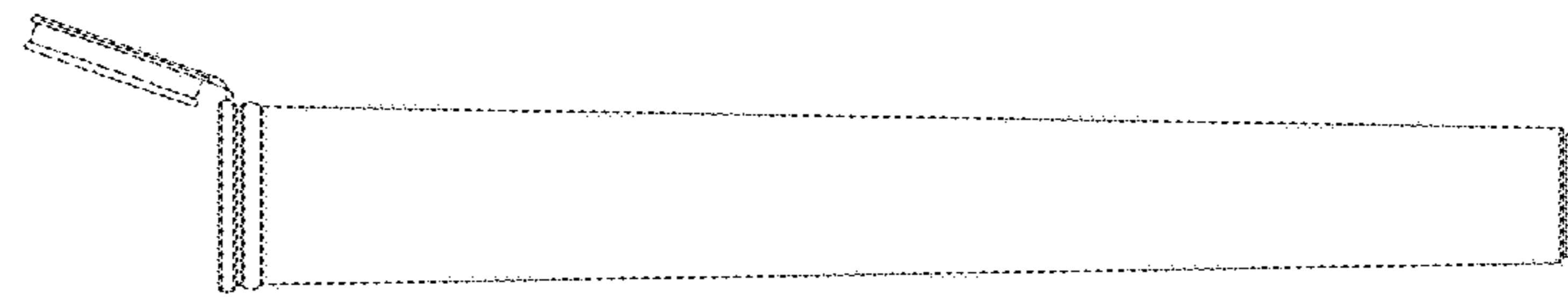


FIG. 29

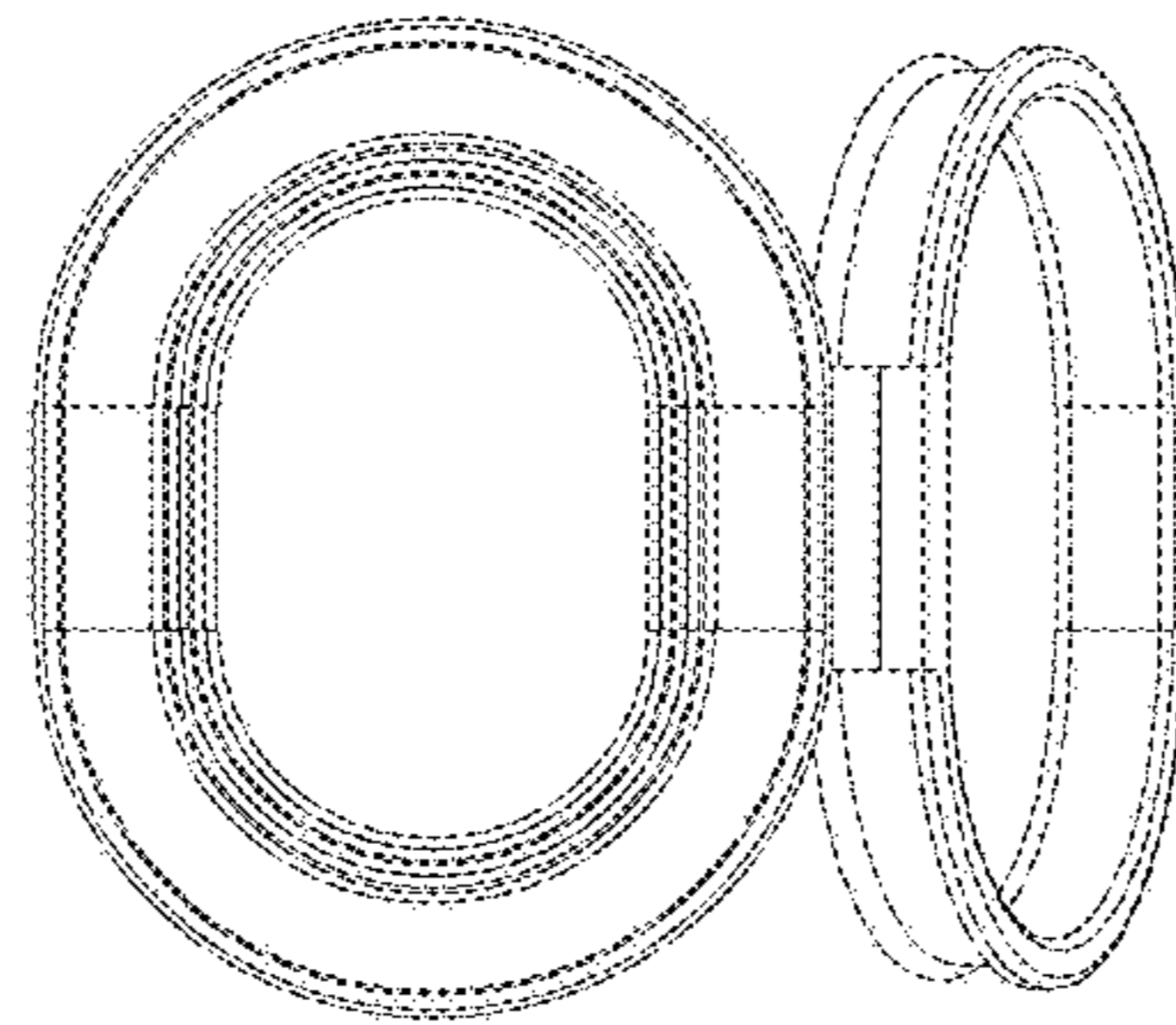


FIG. 32

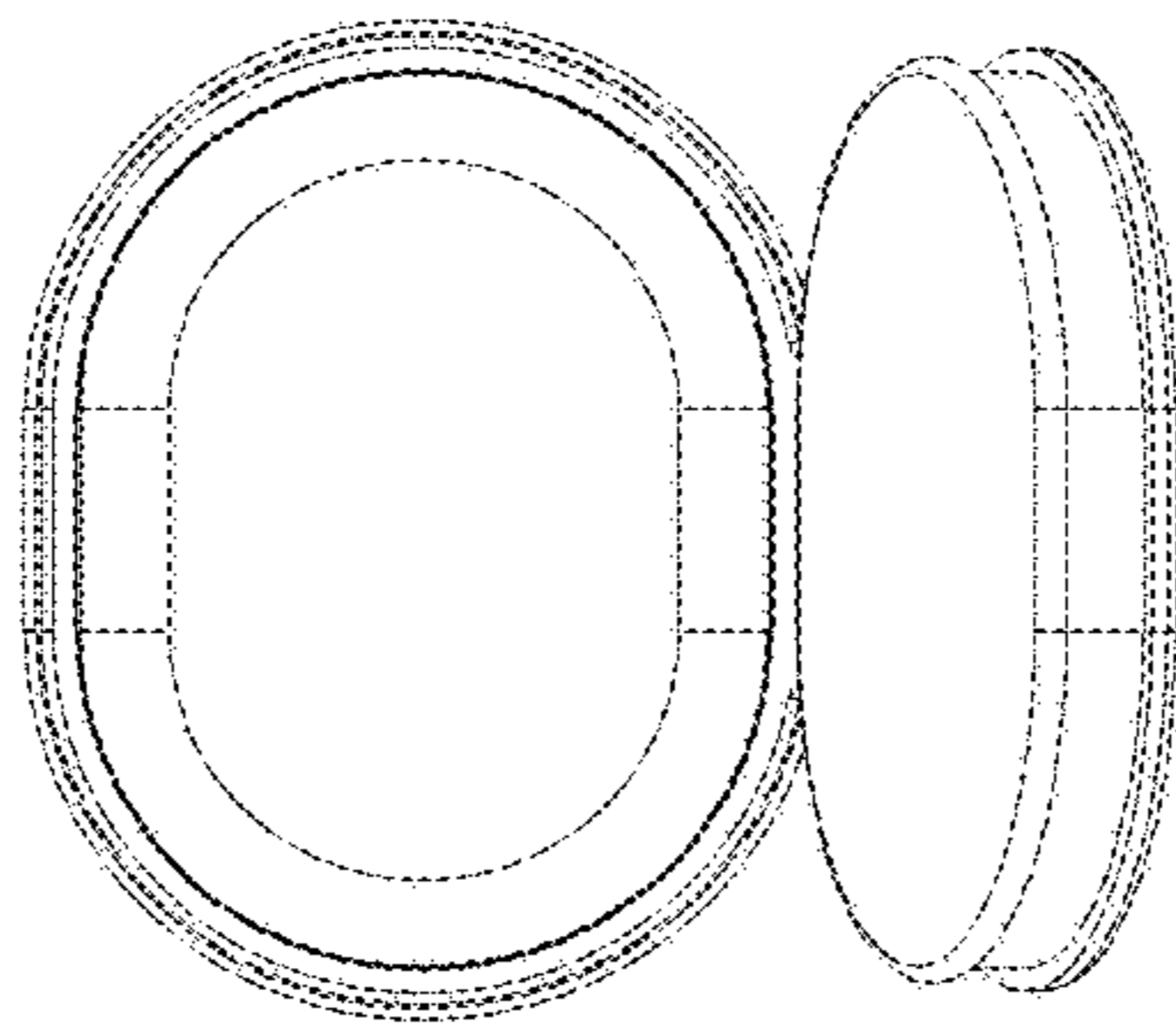


FIG. 31

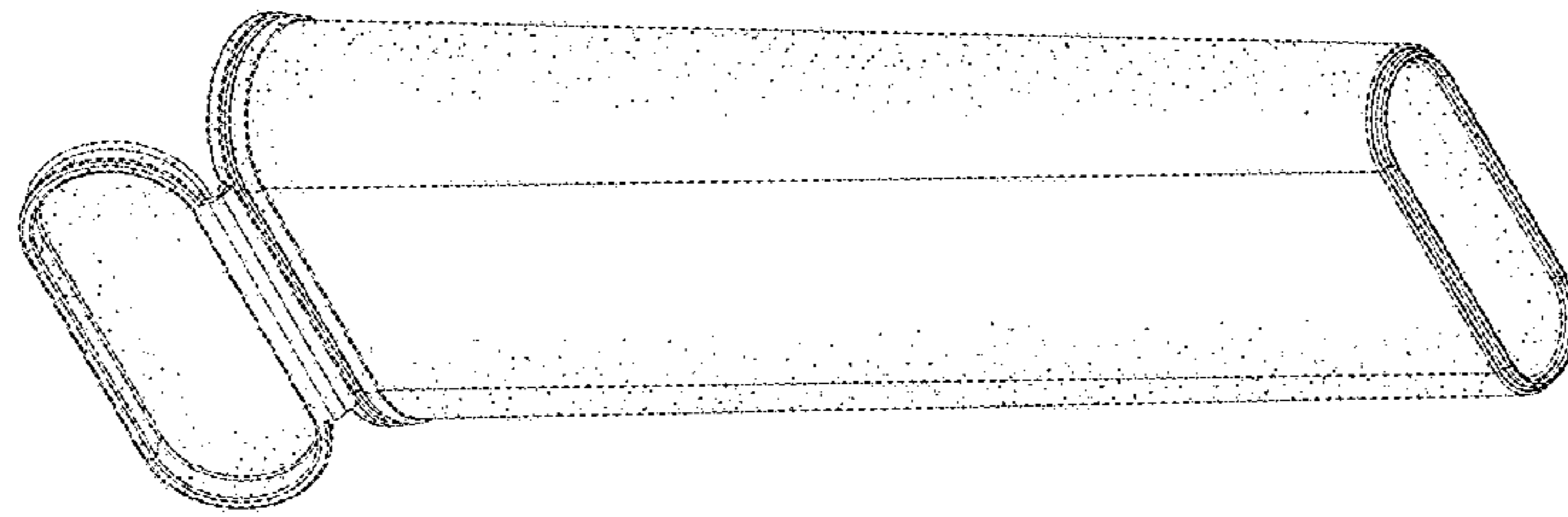


FIG. 34

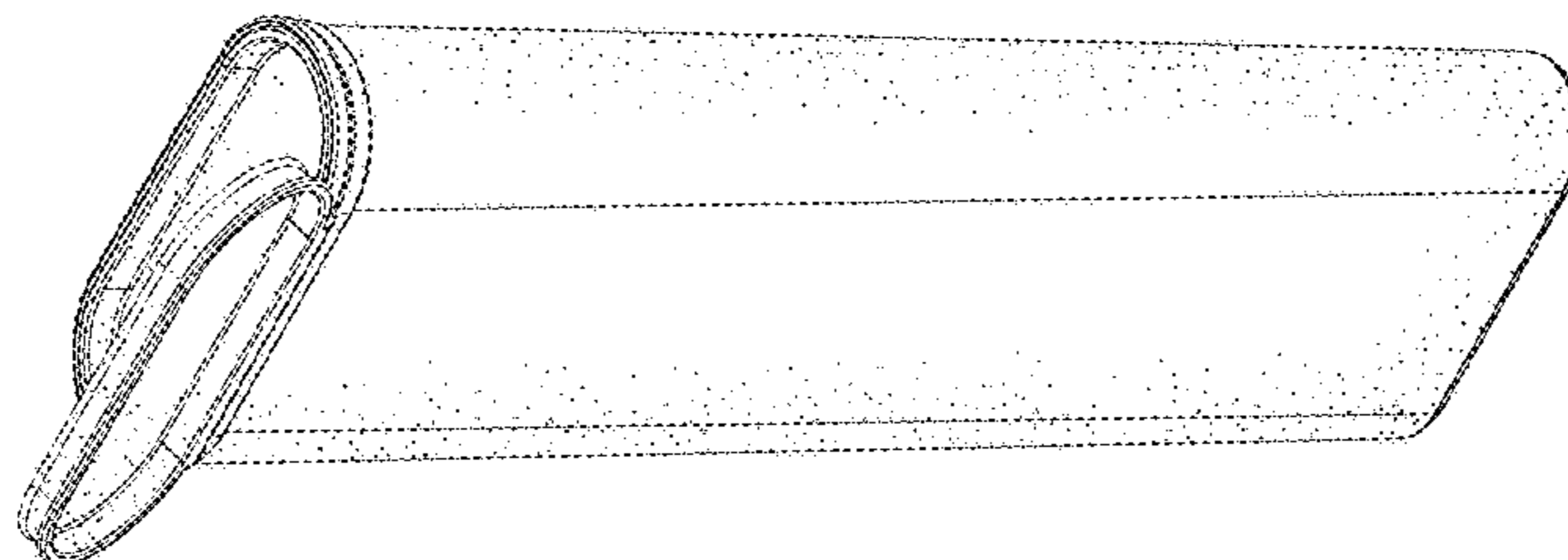


FIG. 33

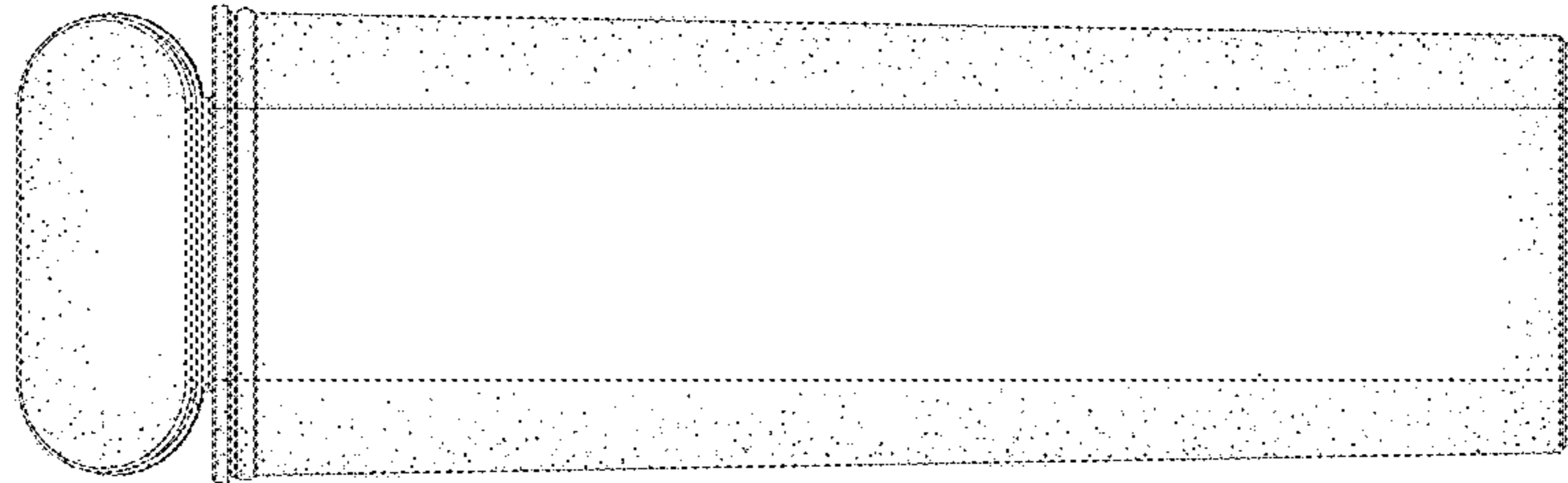


FIG. 36

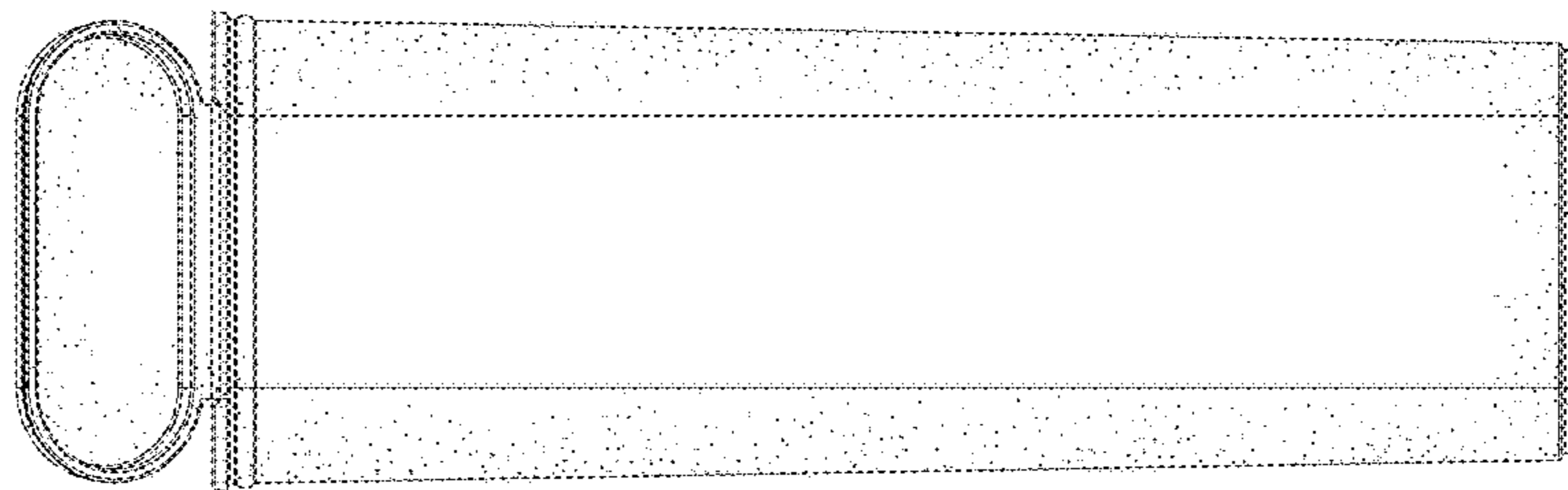


FIG. 35

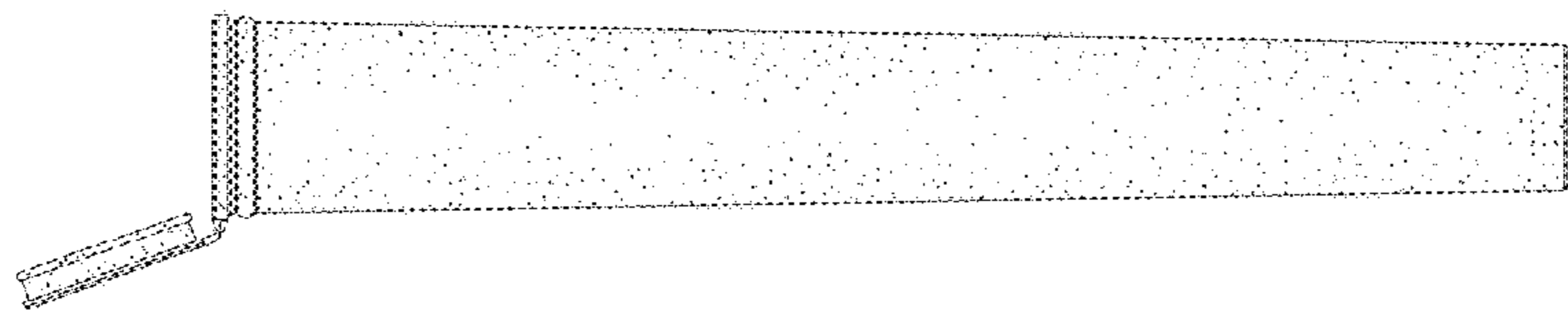


FIG.38

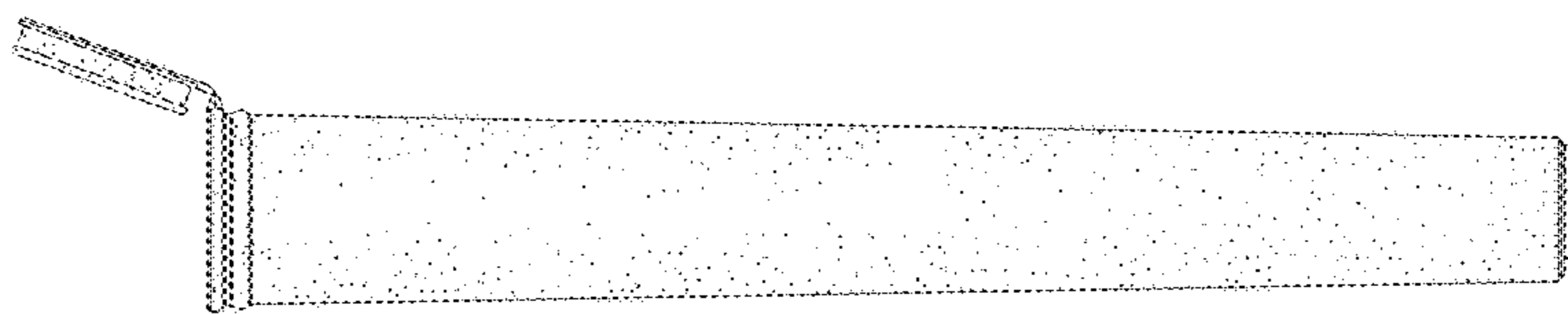


FIG.37

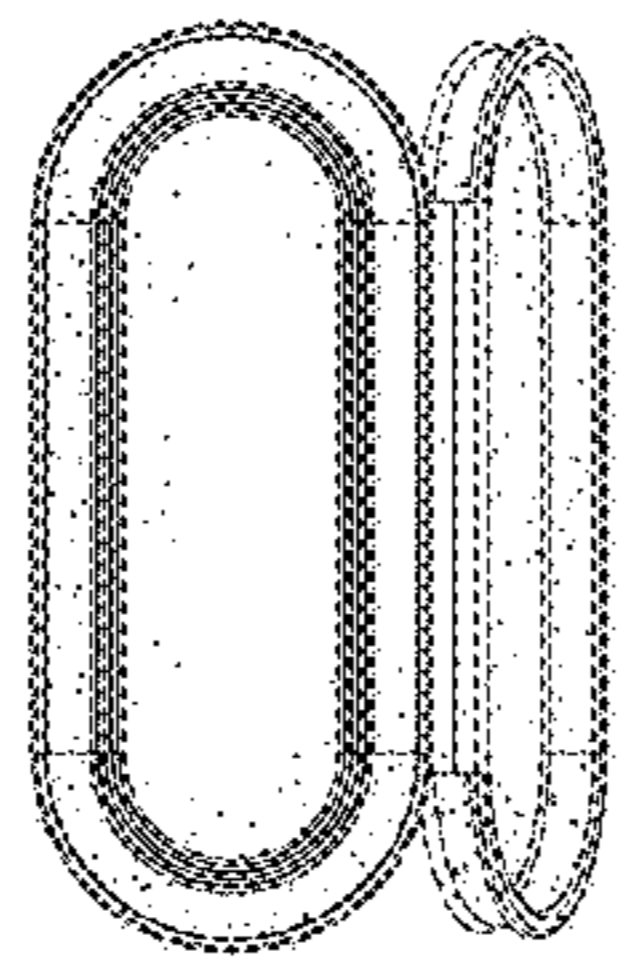


FIG.39

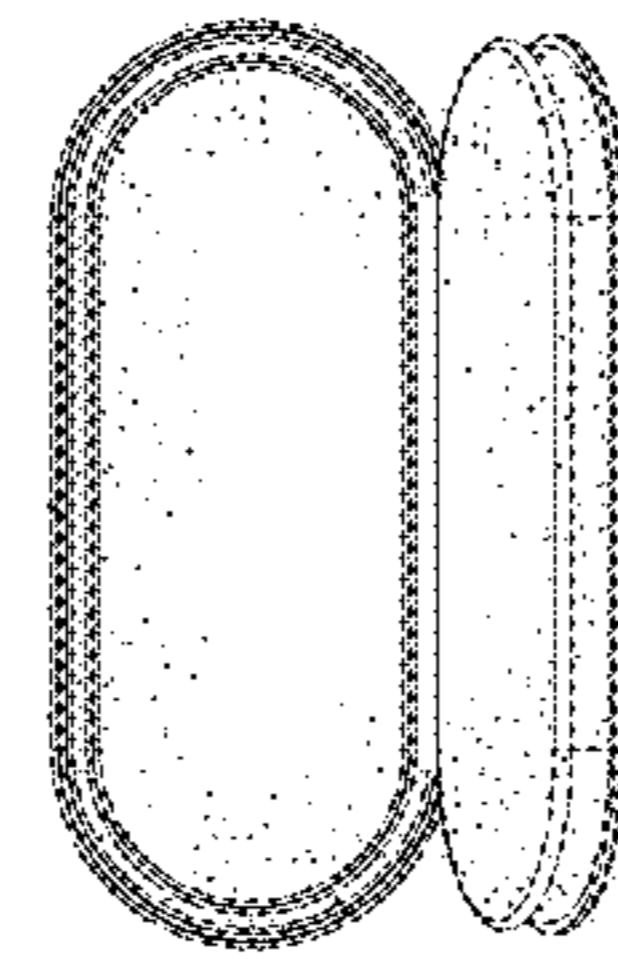


FIG.40

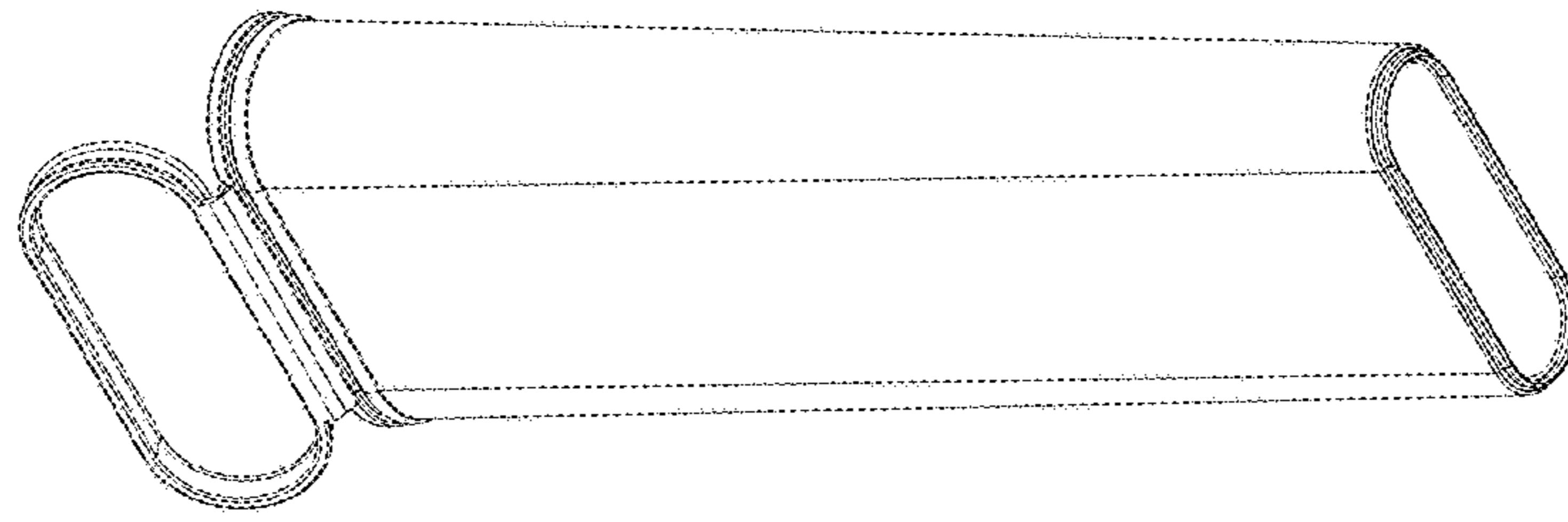


FIG. 42

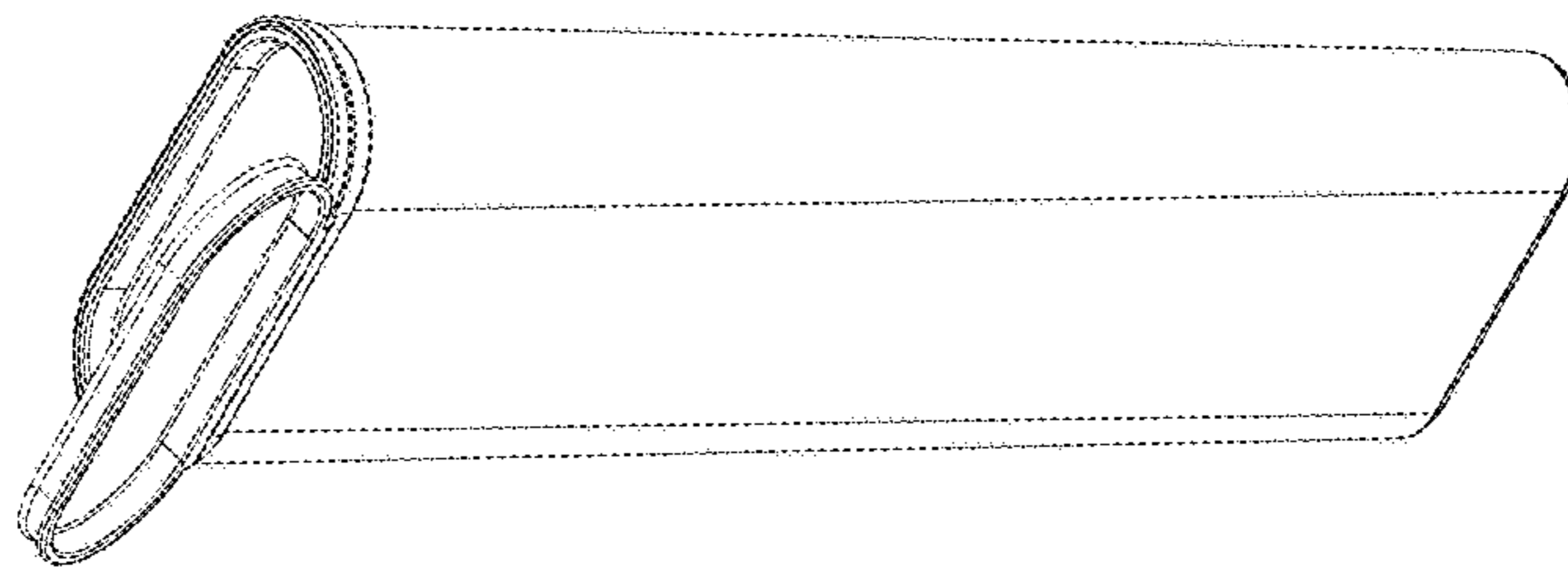


FIG. 41

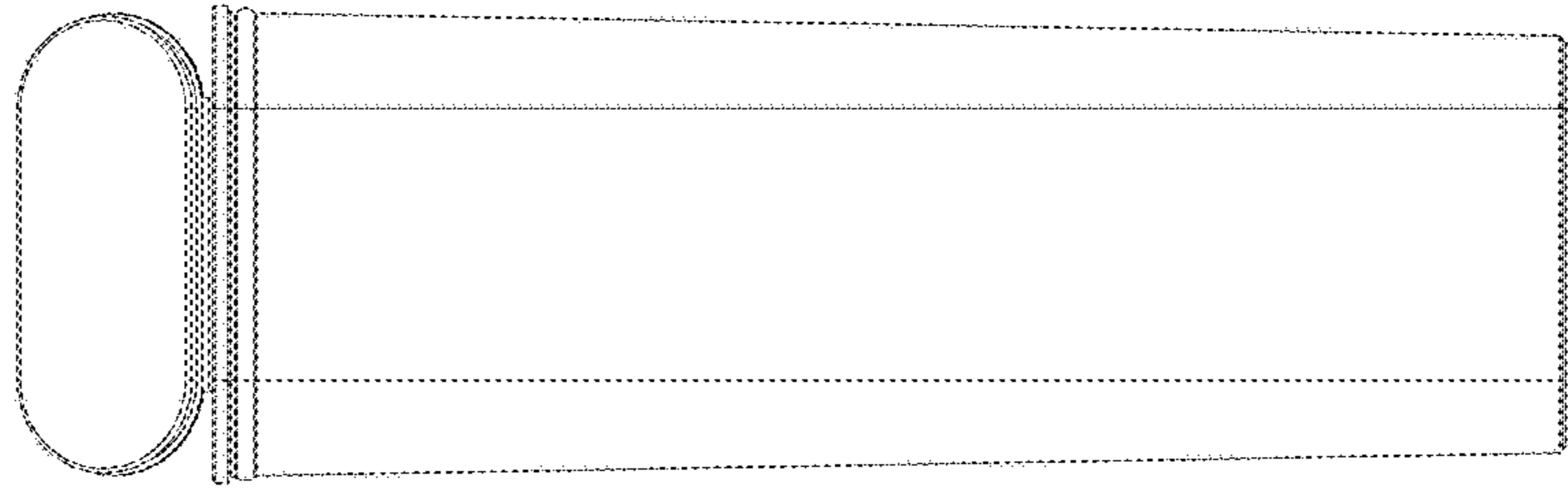


FIG.44

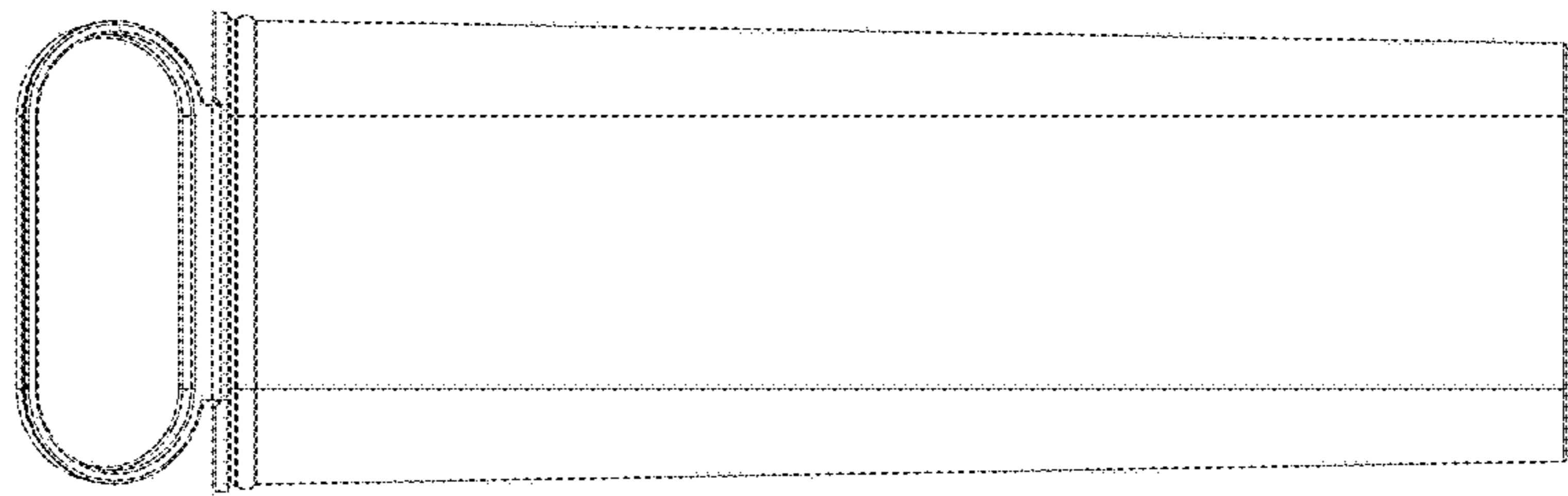


FIG.43

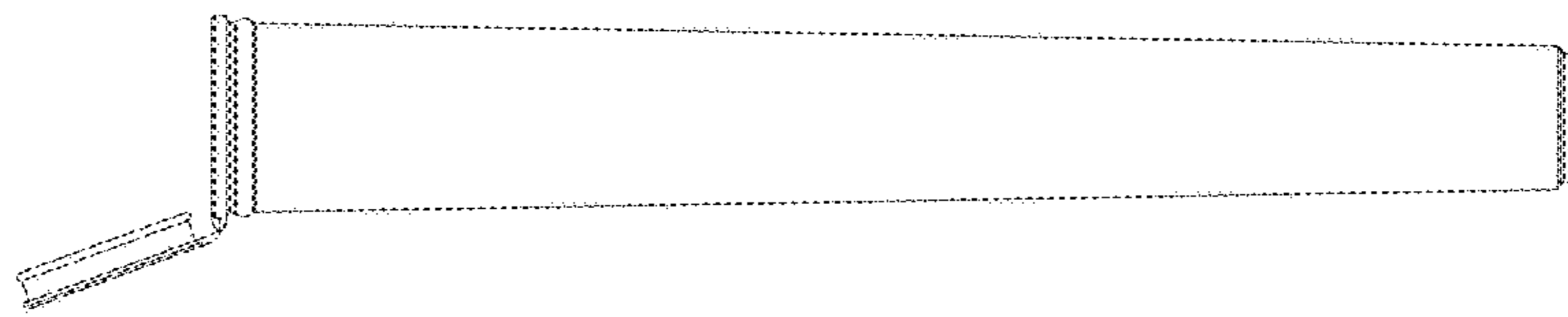


FIG.46

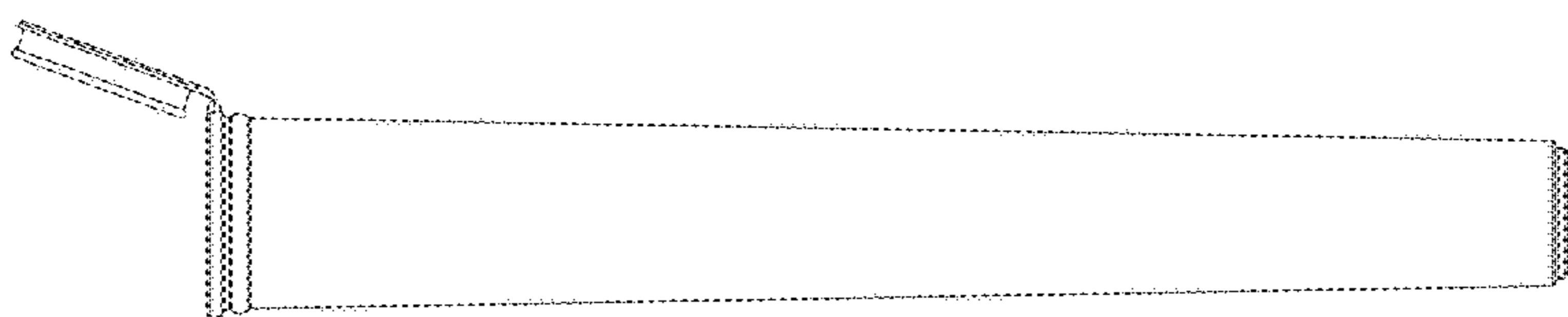


FIG.45

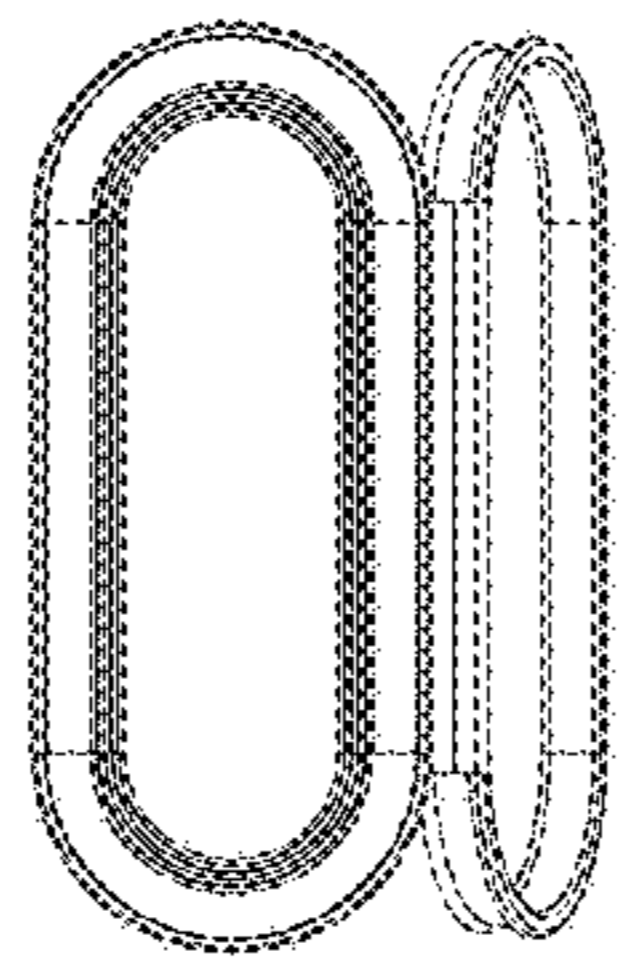


FIG.48

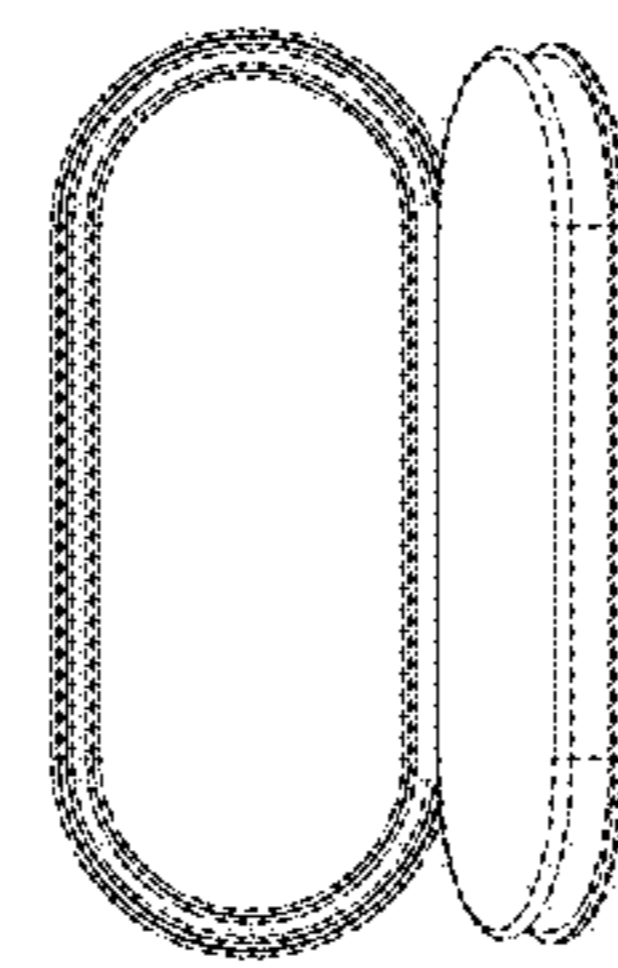


FIG.47