



US00D848829S

(12) **United States Design Patent**  
**Zhu**

(10) **Patent No.:** **US D848,829 S**

(45) **Date of Patent:** **\*\* May 21, 2019**

(54) **CONNECTOR**

(71) Applicant: **Feijun Zhu**, Zhejiang (CN)

(72) Inventor: **Feijun Zhu**, Zhejiang (CN)

(\*\*) Term: **15 Years**

(21) Appl. No.: **29/647,601**

(22) Filed: **May 15, 2018**

(30) **Foreign Application Priority Data**

Mar. 13, 2018 (CN) ..... 2018 3 0092602

(51) **LOC (11) Cl.** ..... **08-08**

(52) **U.S. Cl.**  
USPC ..... **D8/382**; D6/708.16

(58) **Field of Classification Search**  
USPC ..... D8/349, 354, 355, 373, 374, 380, 382,  
D8/387, 388, 394, 399, 499; D6/334,  
D6/335, 702, 710, 708.16, 708  
CPC .... A47C 1/14; A47C 4/00; A47C 4/04; A47C  
4/08; A47C 4/18; A47C 4/28; A47C  
4/283; A47C 4/286; A47C 4/32; A47C  
4/42; A47C 4/30; A47C 4/38; A47C  
4/022; A47C 4/20; A47C 4/22; A47C  
5/04; A47C 7/00; A47C 9/10; A47C  
9/105

See application file for complete search history.

(56) **References Cited**

**U.S. PATENT DOCUMENTS**

D157,592 S *	3/1950	Hollaender	.....	285/188
D157,593 S *	3/1950	Hollaender	.....	285/188
D170,238 S *	8/1953	Raylor	.....	D23/263
D170,239 S *	8/1953	Raylor	.....	D23/265
D170,240 S *	8/1953	Raylor	.....	D23/265
D186,331 S *	10/1959	Hosking	.....	D23/263
3,445,129 A *	5/1969	Penote	.....	E04G 7/02 182/185.1
D258,743 S *	3/1981	Ruga	.....	D21/484

D381,573 S *	7/1997	Sabounjian	.....	D8/382
D412,101 S *	7/1999	Murakami	.....	D8/382
8,528,291 B2 *	9/2013	Allred, III	.....	E04C 3/08 135/909
D720,954 S *	1/2015	Lah	.....	D6/708.16
D745,372 S *	12/2015	Peterson	.....	D6/716
D775,885 S *	1/2017	Lah	.....	D6/708.16
D820,072 S *	6/2018	Choi	.....	D8/382
D831,852 S *	10/2018	Nguyen	.....	D25/61
2009/0174232 A1 *	7/2009	Hoffman	.....	A47C 4/42 297/16.1
2017/0311723 A1 *	11/2017	Lenhart	.....	A47C 4/286
2018/0070728 A1 *	3/2018	Humphreys	.....	A47C 1/027
2018/0235368 A1 *	8/2018	Graybill	.....	A47C 4/286

\* cited by examiner

*Primary Examiner* — Sandra S Snapp

*Assistant Examiner* — Ieisha N Price

(74) *Attorney, Agent, or Firm* — JCIPRNET

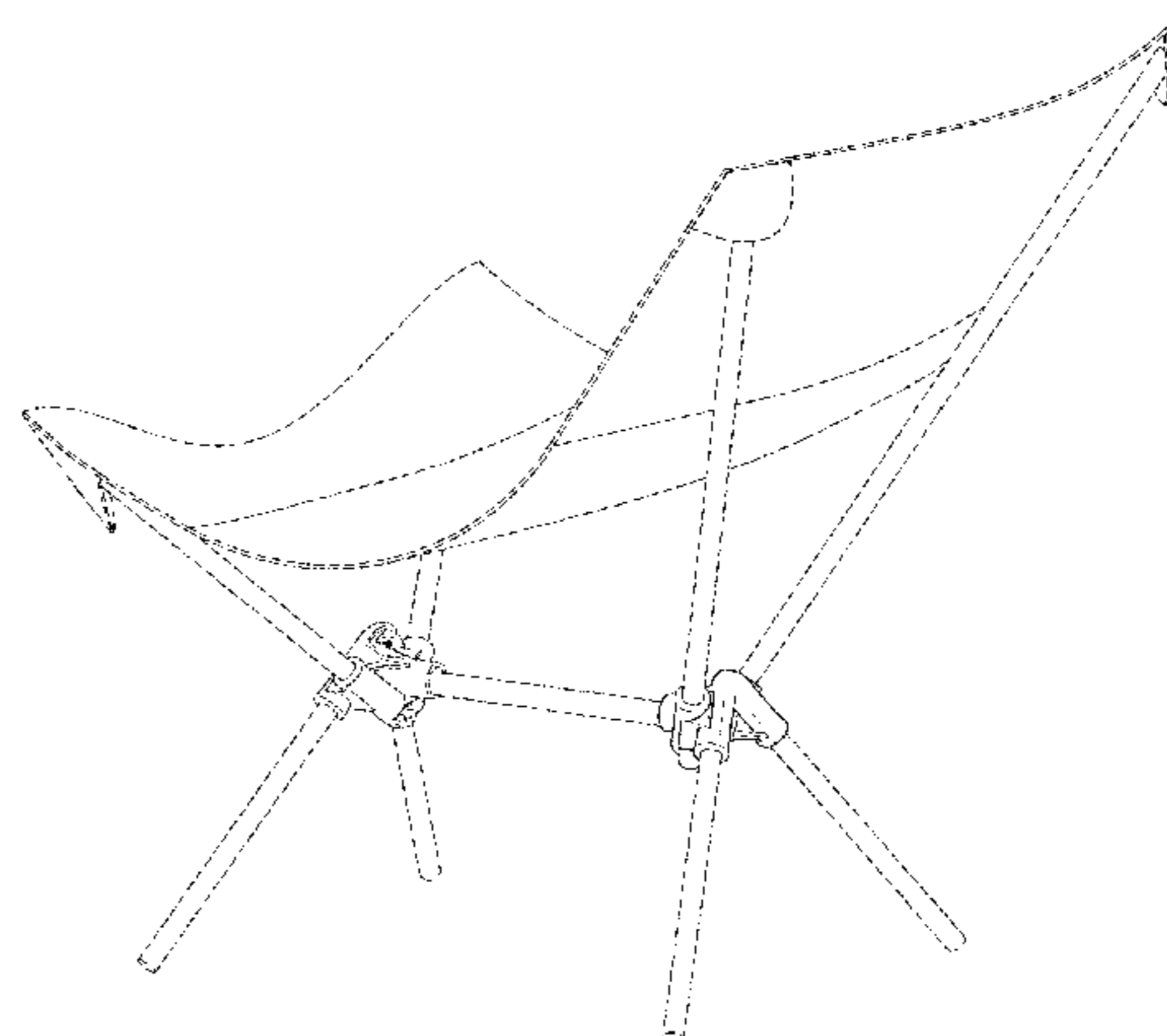
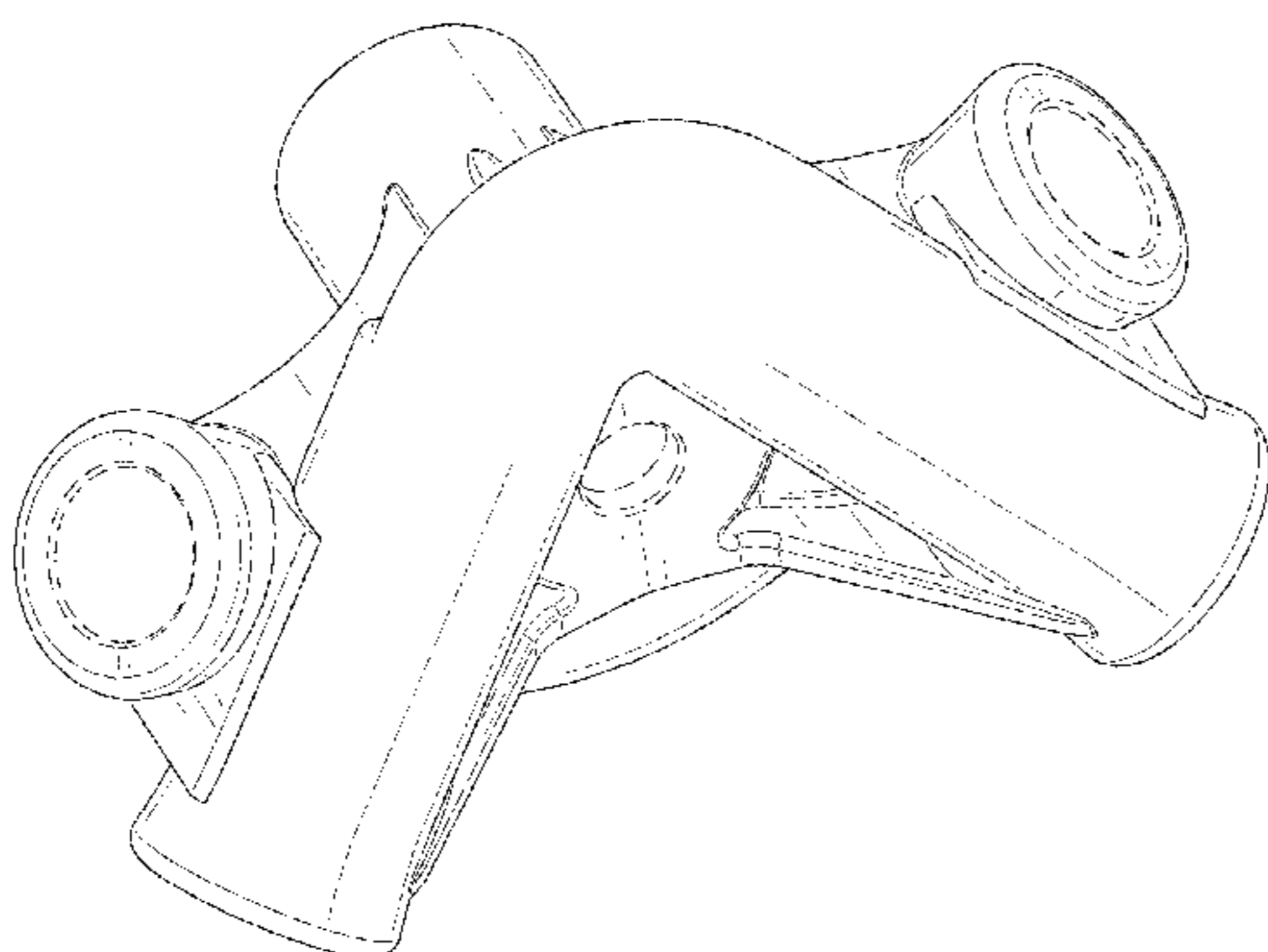
(57) **CLAIM**

The ornamental design for a connector, as shown and described.

**DESCRIPTION**

FIG. 1 is a perspective view of a connector showing my new design;  
 FIG. 2 is another perspective view thereof;  
 FIG. 3 is a front view thereof;  
 FIG. 4 is a rear view thereof;  
 FIG. 5 is a left side view thereof;  
 FIG. 6 is a right side view thereof;  
 FIG. 7 is a top view thereof;  
 FIG. 8 is a bottom view thereof; and,  
 FIG. 9 is a perspective view thereof in a state of use.  
 The dashed broken line showing of the chair in FIG. 9 illustrates the environmental structure of the claimed design and forms no part thereof.

**1 Claim, 9 Drawing Sheets**



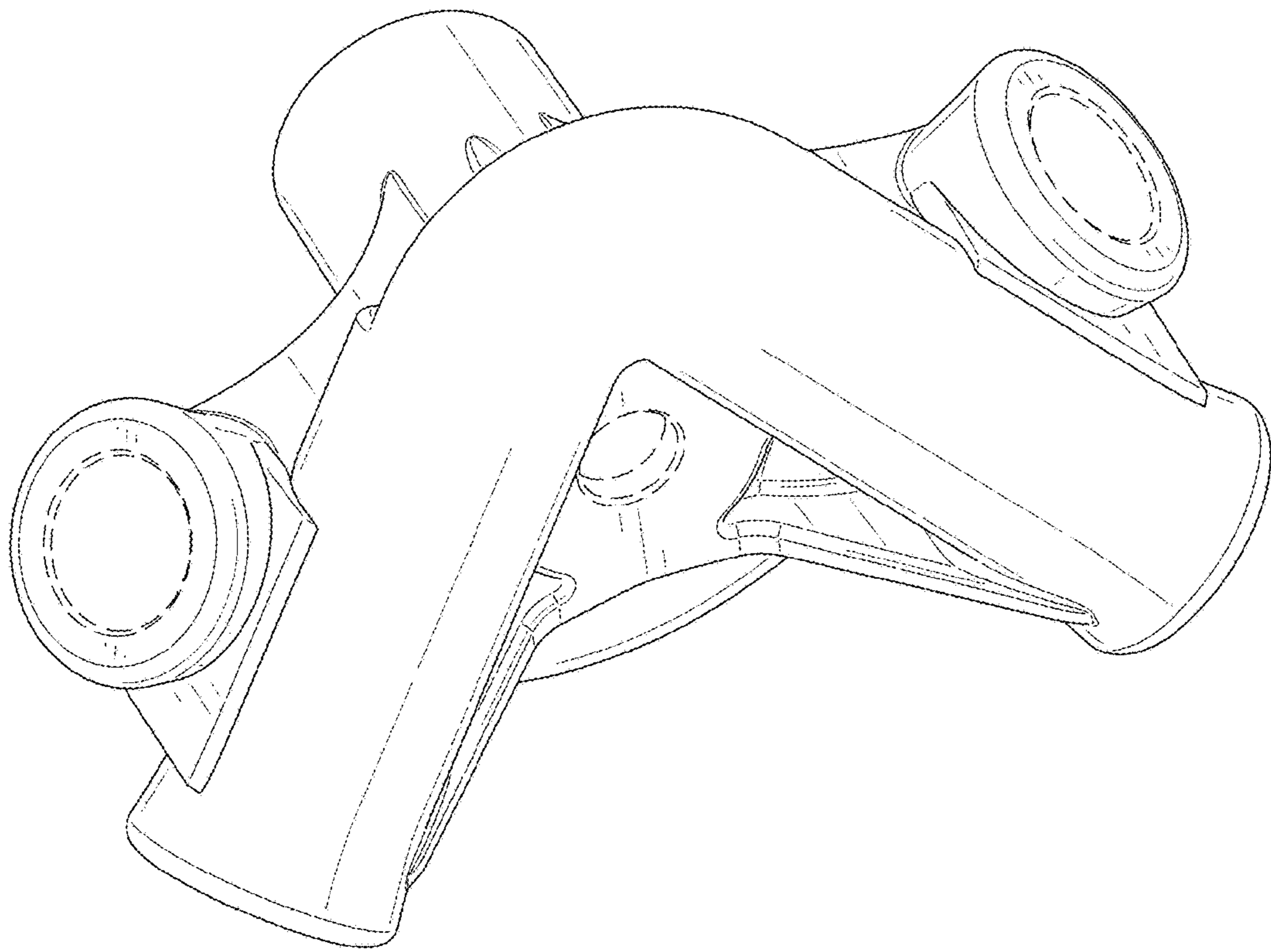


FIG. 1

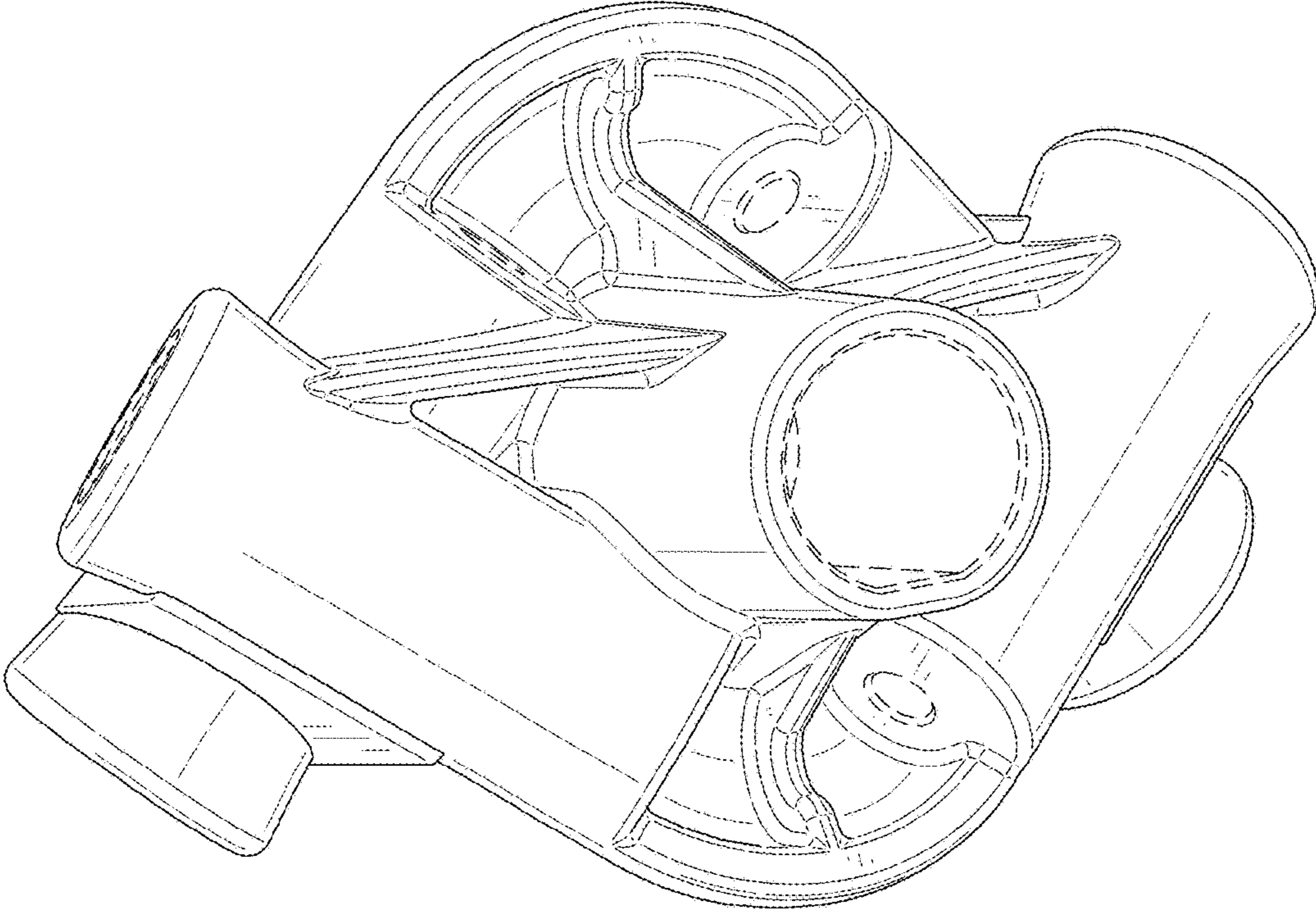


FIG. 2

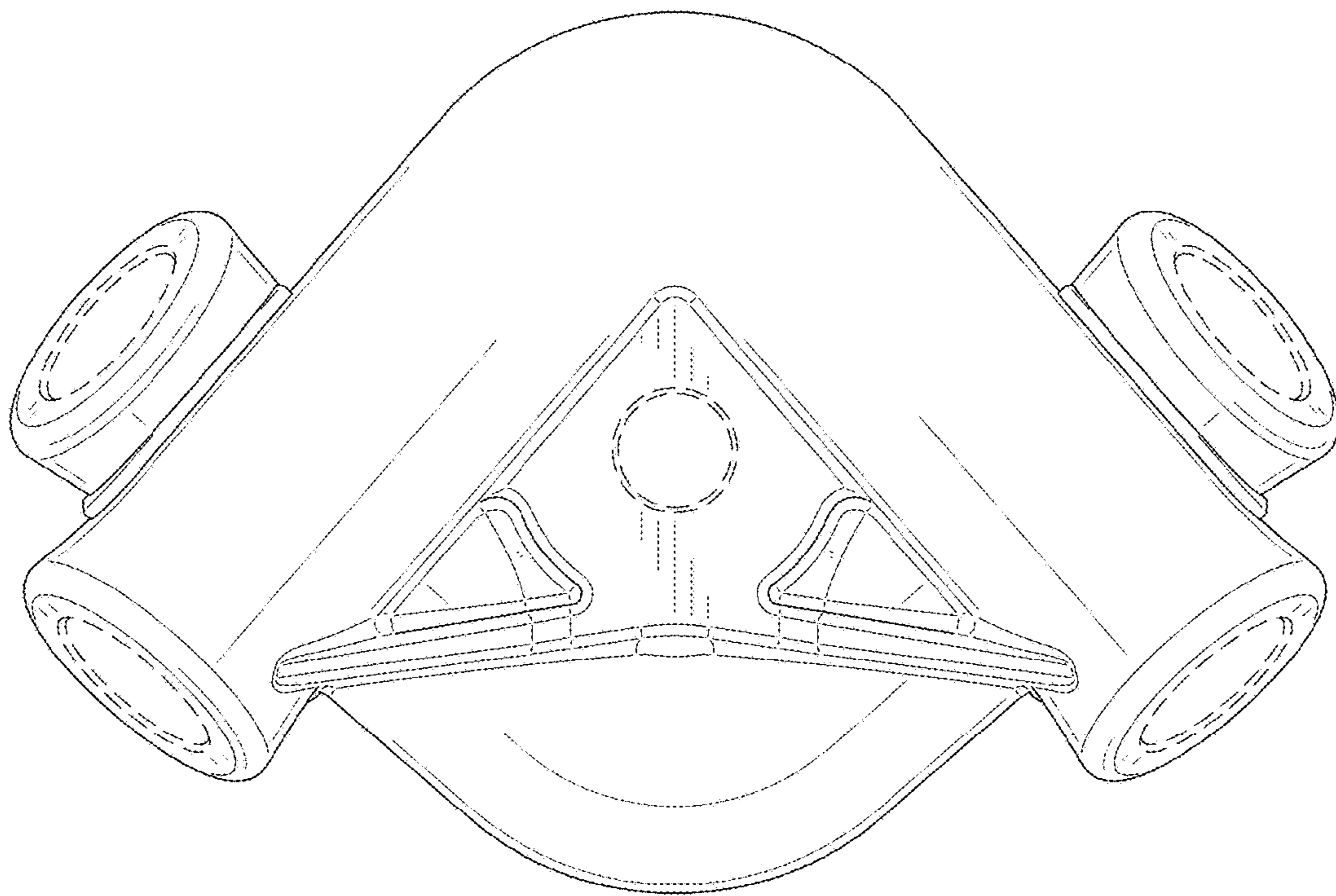


FIG. 3

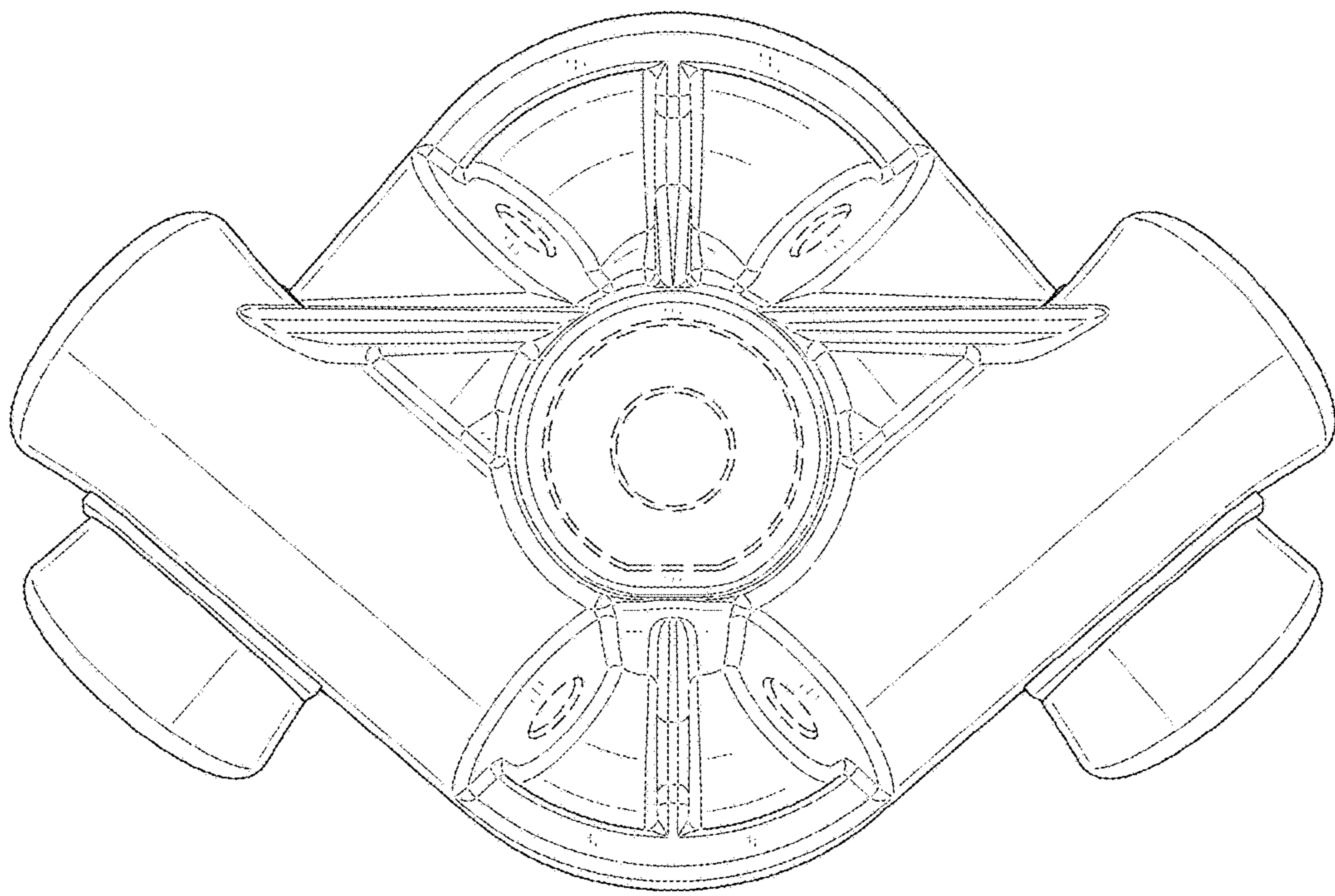


FIG. 4

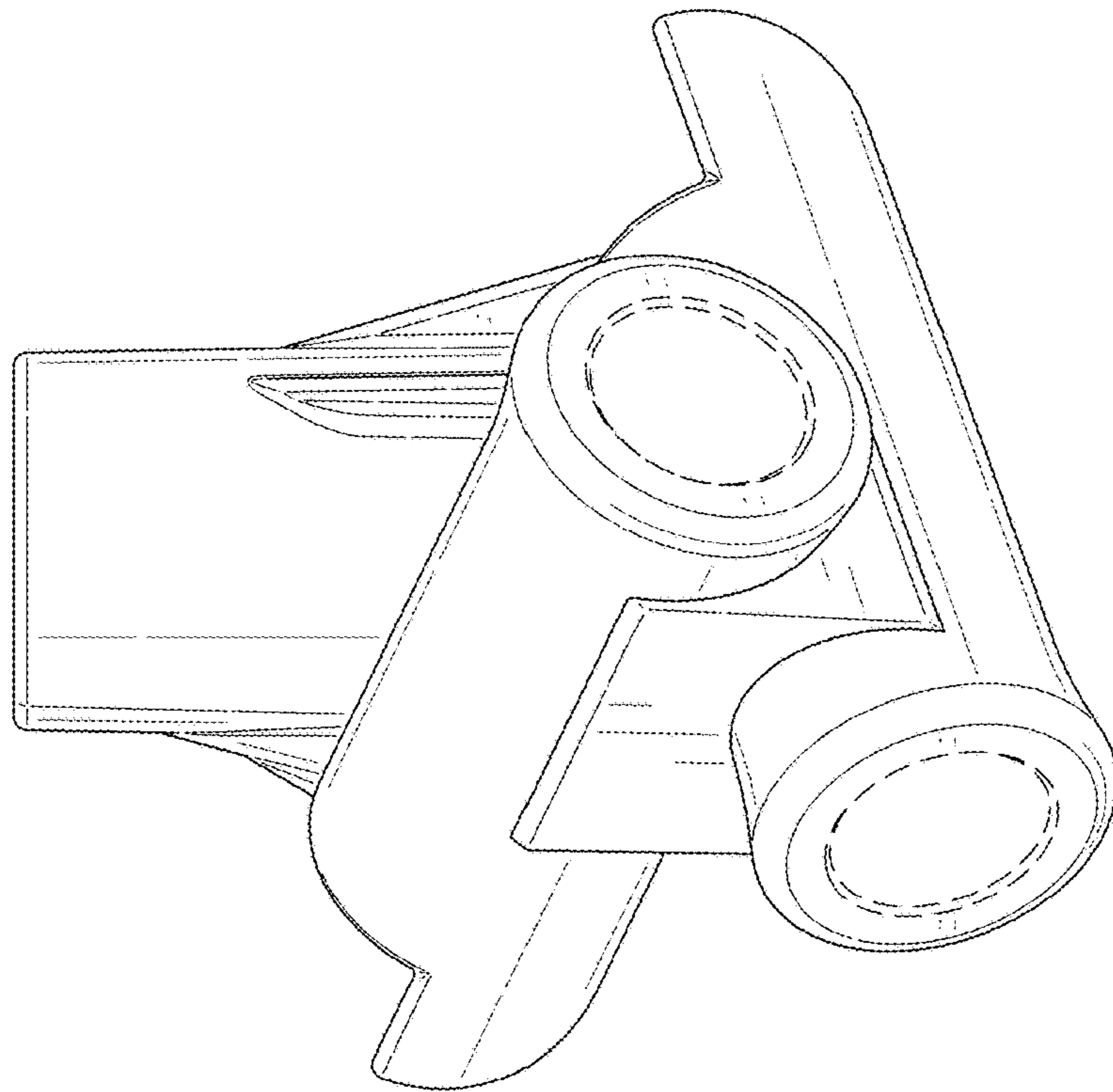


FIG. 5

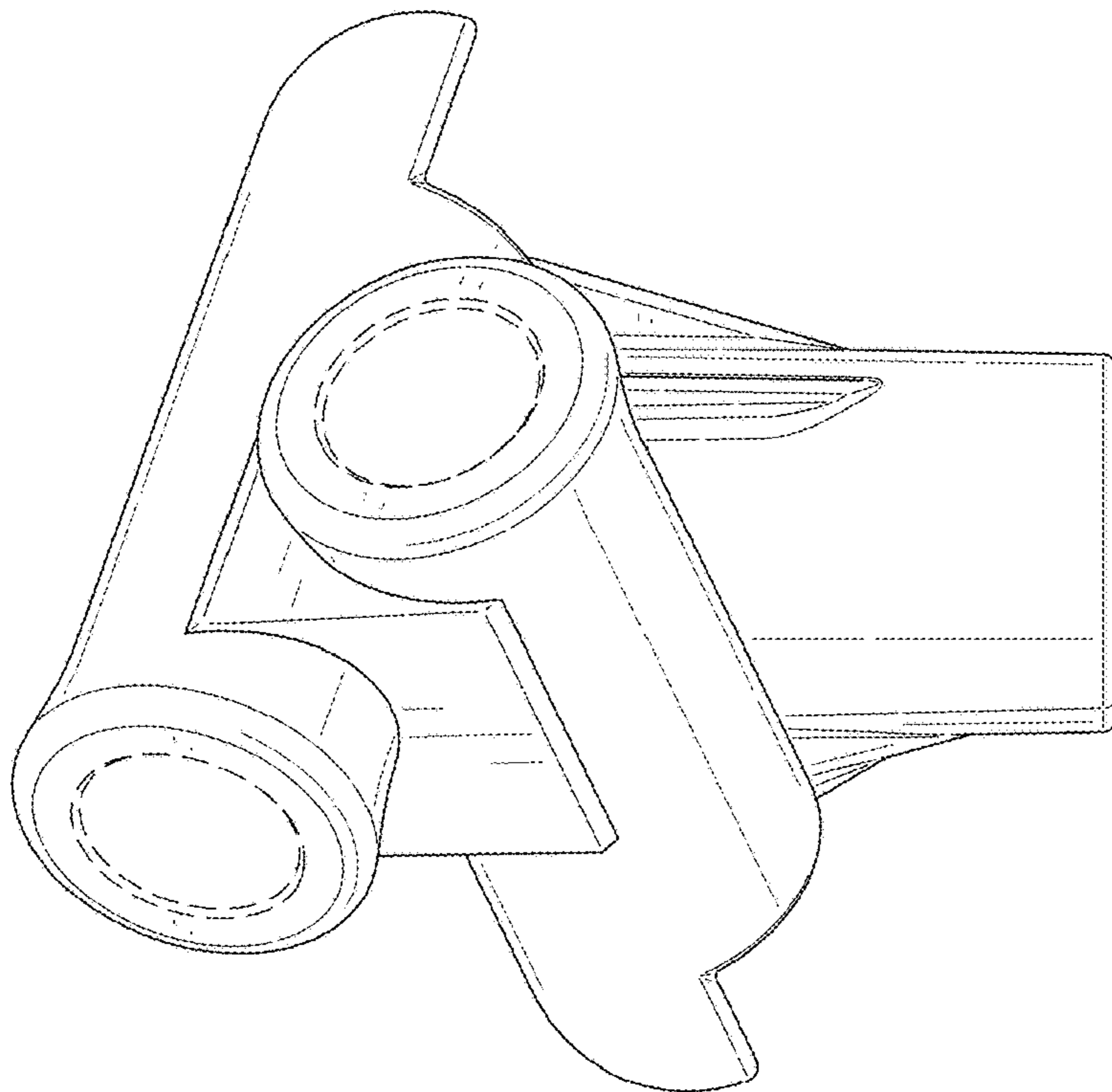


FIG. 6

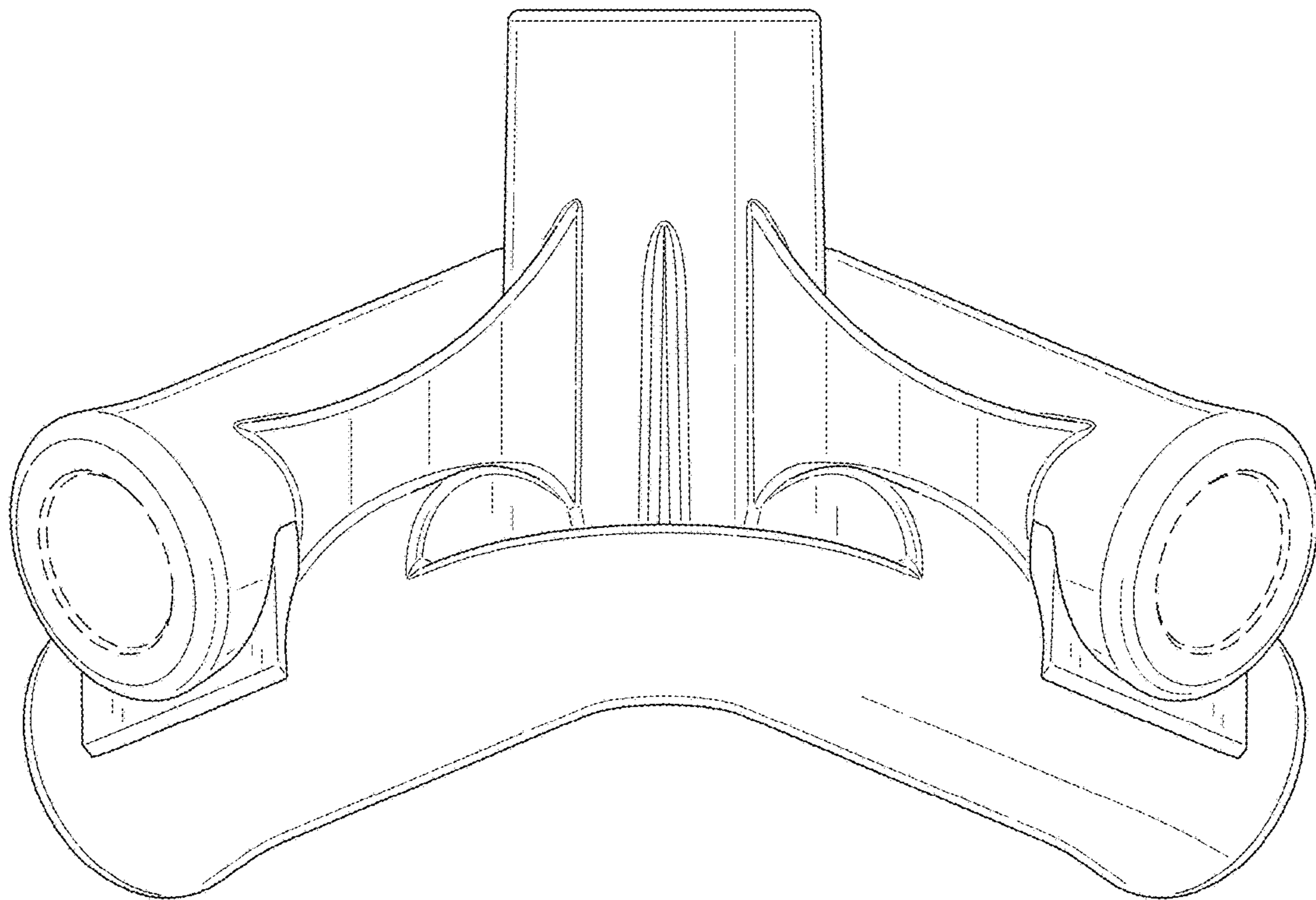


FIG. 7



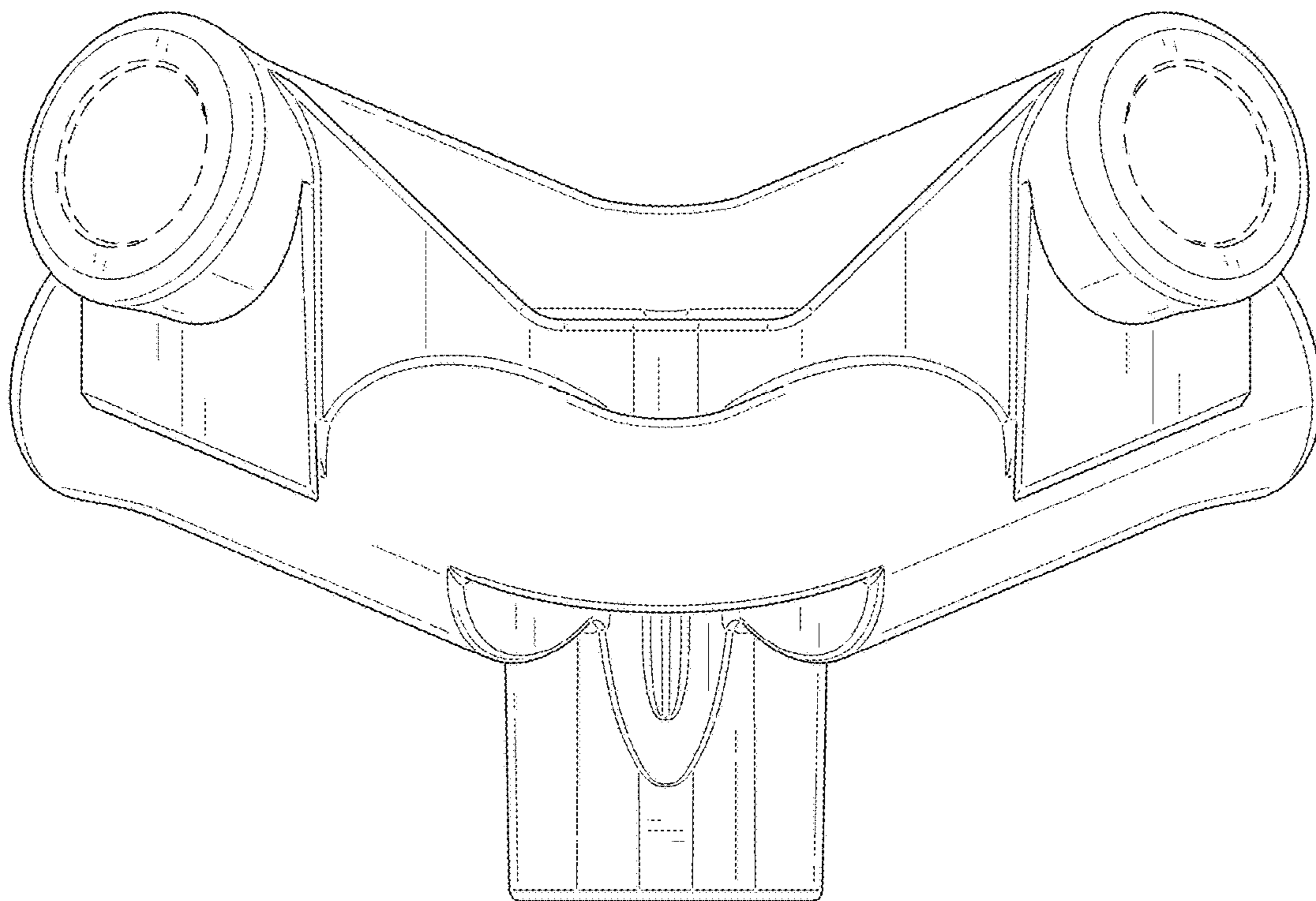


FIG. 8

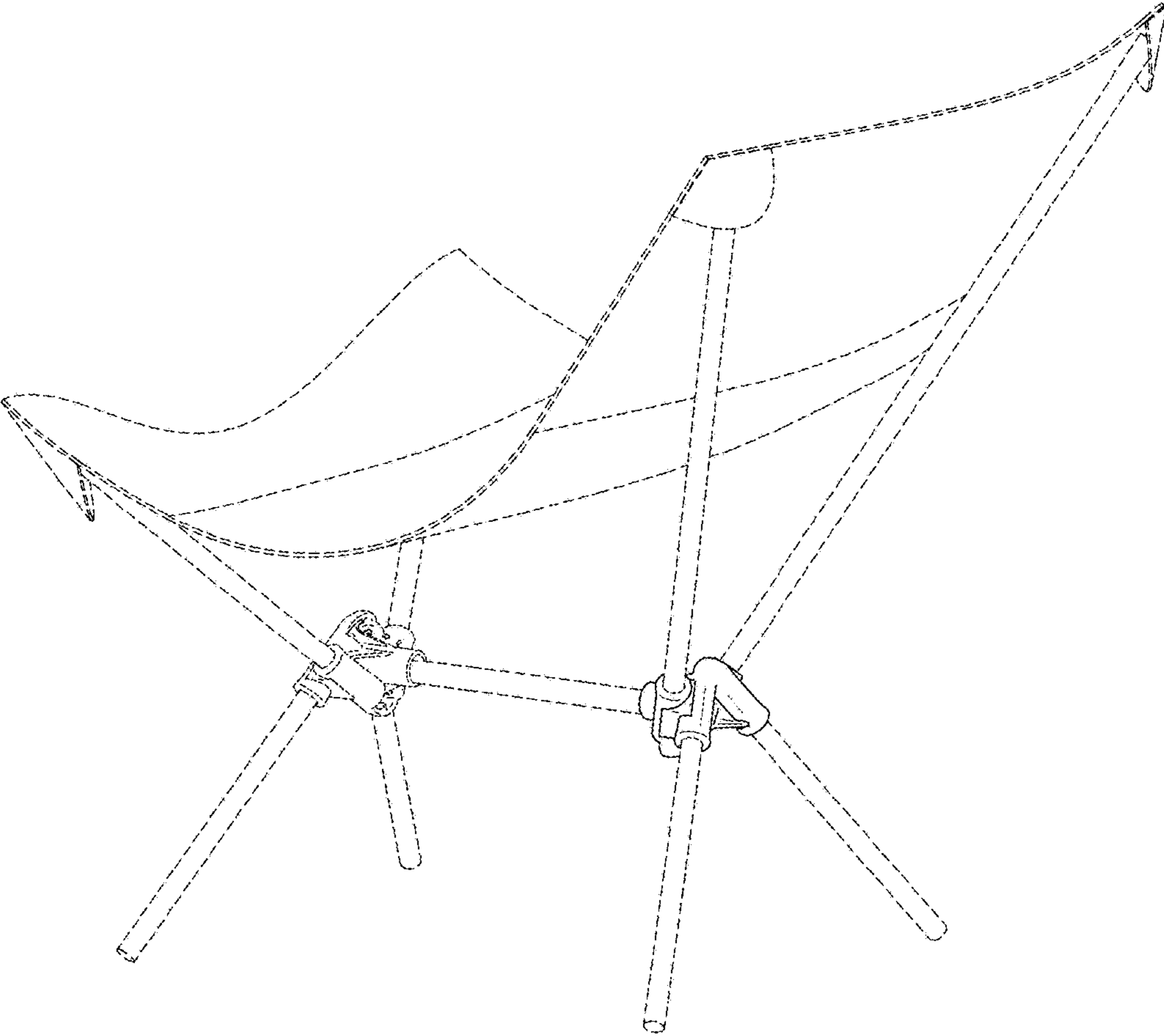


FIG. 9