



US00D848828S

(12) **United States Design Patent**  
**Zhu**

(10) **Patent No.:** **US D848,828 S**

(45) **Date of Patent:** **\*\* May 21, 2019**

(54) **CONNECTOR**

(71) Applicant: **Feijun Zhu**, Zhejiang (CN)

(72) Inventor: **Feijun Zhu**, Zhejiang (CN)

(\*\*) Term: **15 Years**

(21) Appl. No.: **29/647,600**

(22) Filed: **May 15, 2018**

(30) **Foreign Application Priority Data**

Mar. 13, 2018 (CN) ..... 2018 3 0092602

(51) **LOC (11) Cl.** ..... **08-08**

(52) **U.S. Cl.**  
USPC ..... **D8/382**; D6/708.16

(58) **Field of Classification Search**  
USPC ..... D8/349, 354, 355, 373, 374, 380, 382,  
D8/387, 388, 394, 399, 499; D6/334,  
D6/335, 702, 710, 708.16, 708  
CPC .... A47C 1/14; A47C 4/00; A47C 4/04; A47C  
4/08; A47C 4/18; A47C 4/28; A47C  
4/283; A47C 4/286; A47C 4/32; A47C  
4/42; A47C 4/30; A47C 4/38; A47C  
4/022; A47C 4/20; A47C 4/22; A47C  
5/04; A47C 7/00; A47C 9/10; A47C  
9/105

See application file for complete search history.

(56) **References Cited**

**U.S. PATENT DOCUMENTS**

D157,592 S \* 3/1950 Hollaender ..... 285/188  
D157,593 S \* 3/1950 Hollaender ..... 285/188  
D170,238 S \* 8/1953 Raylor ..... D23/263  
D170,239 S \* 8/1953 Raylor ..... D23/265  
D170,240 S \* 8/1953 Raylor ..... D23/265  
D186,331 S \* 10/1959 Hosking ..... D23/263  
3,445,129 A \* 5/1969 Penote ..... E04G 7/02  
182/185.1  
D258,743 S \* 3/1981 Ruga ..... D21/484

D381,573 S \* 7/1997 Sabounjian ..... D8/382  
D412,101 S \* 7/1999 Murakami ..... D8/382  
8,528,291 B2 \* 9/2013 Allred, III ..... E04C 3/08  
135/909  
D720,954 S \* 1/2015 Lah ..... D6/708.16  
D745,372 S \* 12/2015 Peterson ..... D6/716  
D775,885 S \* 1/2017 Lah ..... D6/708.16  
D820,072 S \* 6/2018 Choi ..... D8/382  
D831,852 S \* 10/2018 Nguyen ..... D25/61  
2009/0174232 A1 \* 7/2009 Hoffman ..... A47O 4/42  
297/16.1  
2017/0311723 A1 \* 11/2017 Lenhart ..... A47O 4/286  
2018/0070728 A1 \* 3/2018 Humphreys ..... A47O 1/027  
2018/0235368 A1 \* 8/2018 Graybill ..... A47O 4/286

\* cited by examiner

*Primary Examiner* — Sandra S Snapp

*Assistant Examiner* — Ieisha N Price

(74) *Attorney, Agent, or Firm* — JCIPRNET

(57) **CLAIM**

The ornamental design for a connector, as shown and described.

**DESCRIPTION**

FIG. 1 is a perspective view of a connector showing my new design;

FIG. 2 is another perspective view thereof;

FIG. 3 is a front view thereof;

FIG. 4 is a rear view thereof;

FIG. 5 is a left side view thereof;

FIG. 6 is a right side view thereof;

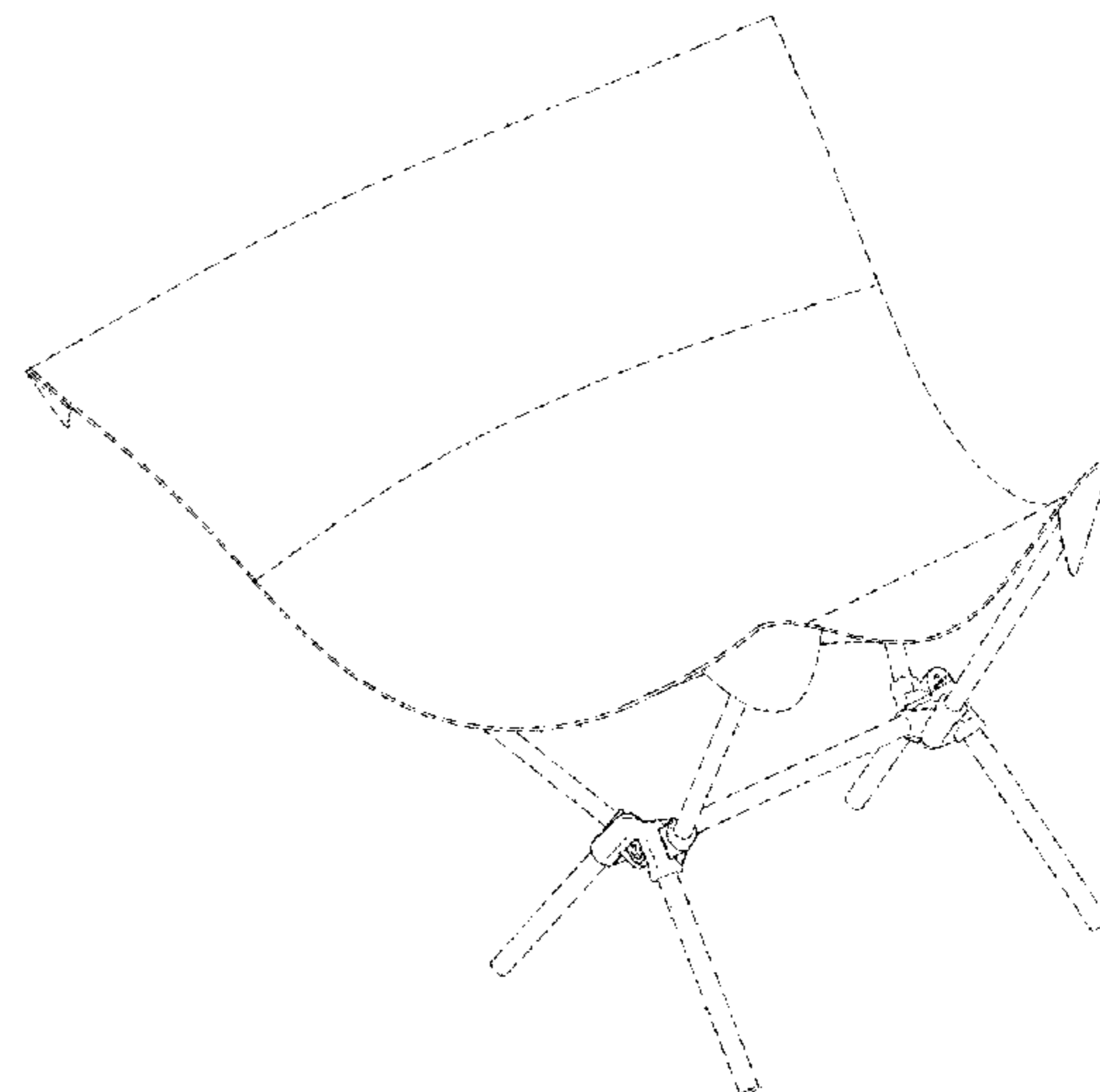
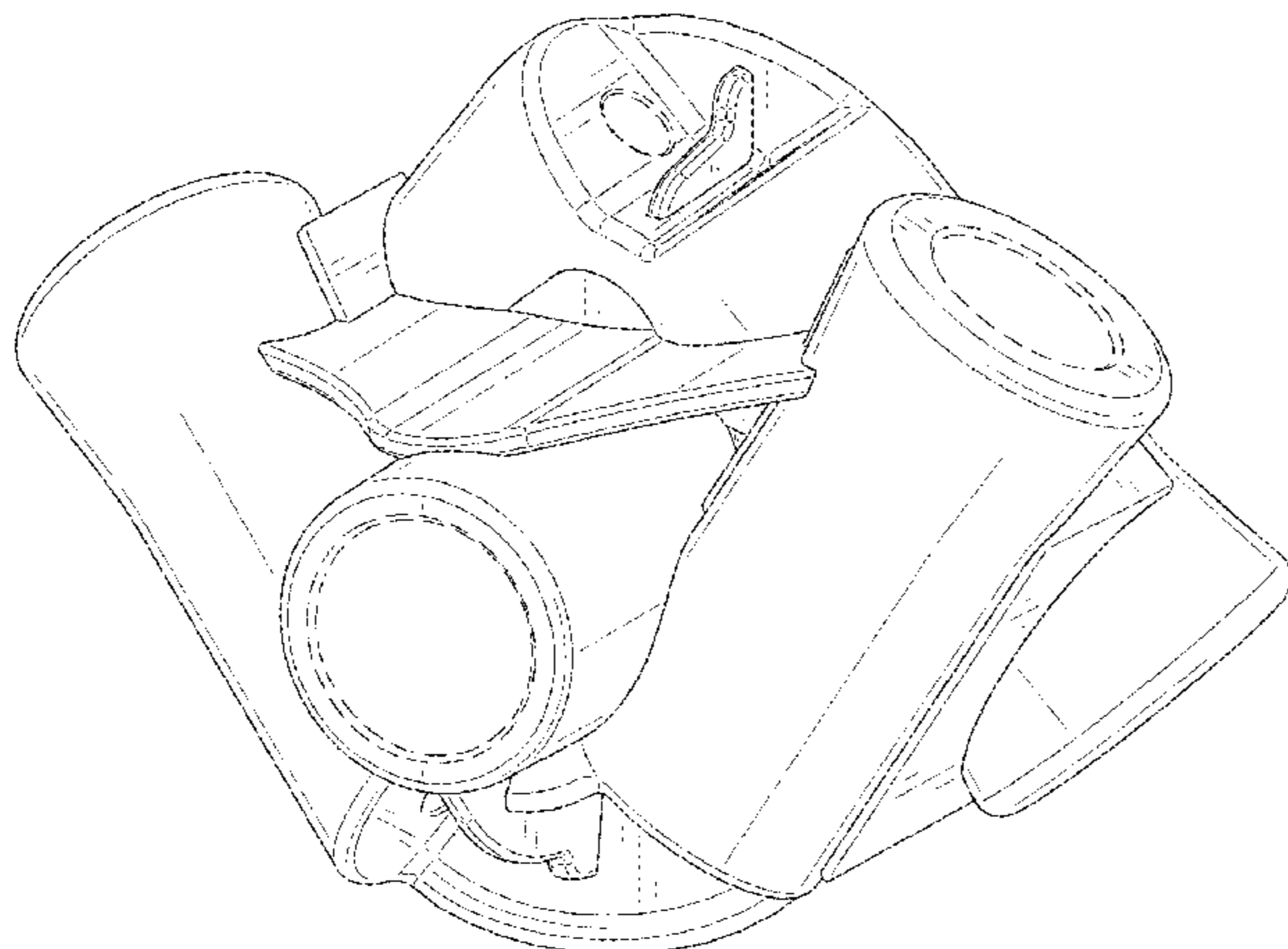
FIG. 7 is a top view thereof;

FIG. 8 is a bottom view thereof; and,

FIG. 9 is a perspective view thereof in a state of use.

The dashed broken lines in the drawings illustrate portions of the connector and form no part of the claimed design. The dashed broken line showing of the chair in FIG. 9 illustrates the environmental structure of the claimed design and forms no part thereof.

**1 Claim, 9 Drawing Sheets**



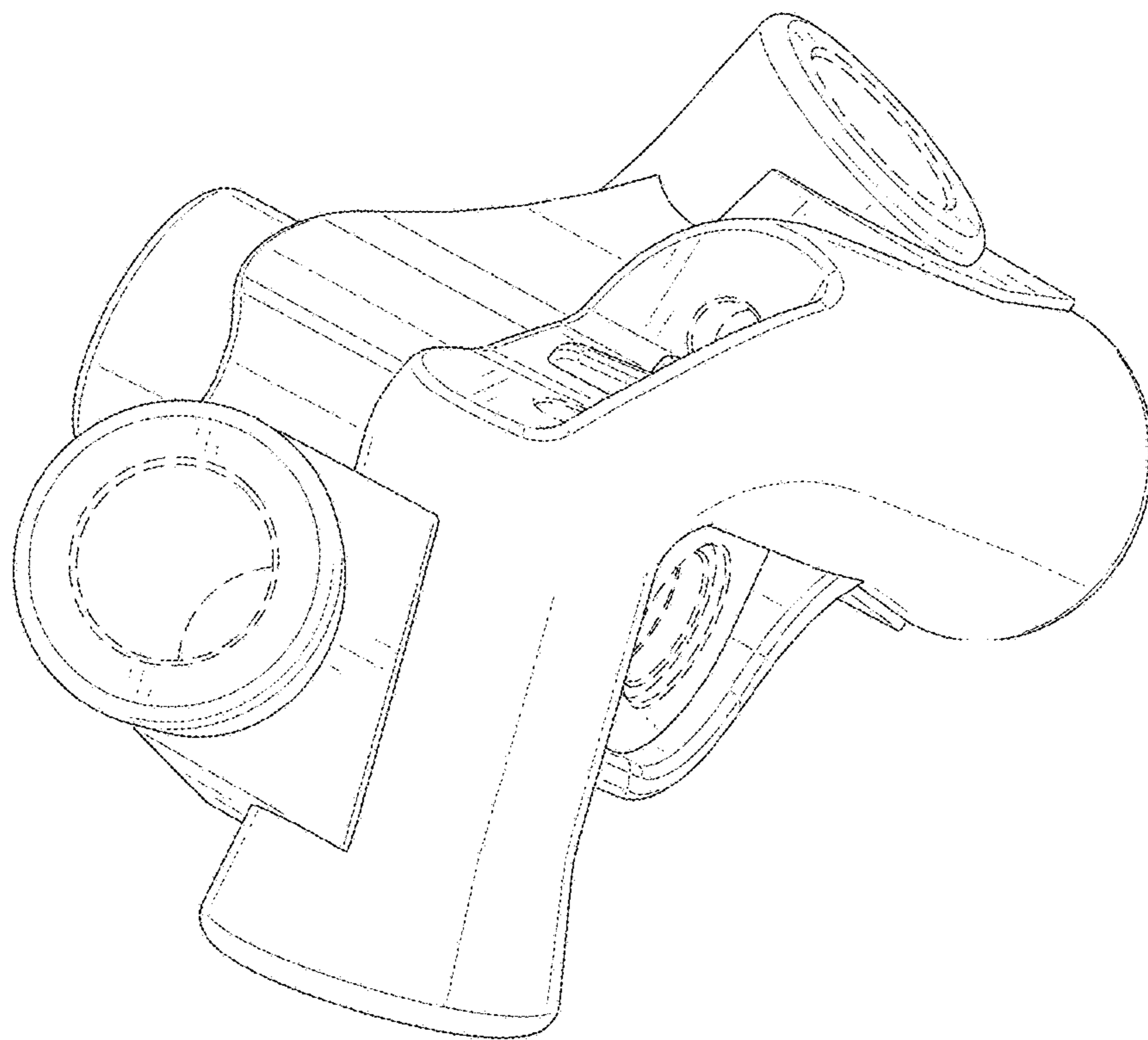


FIG. 1

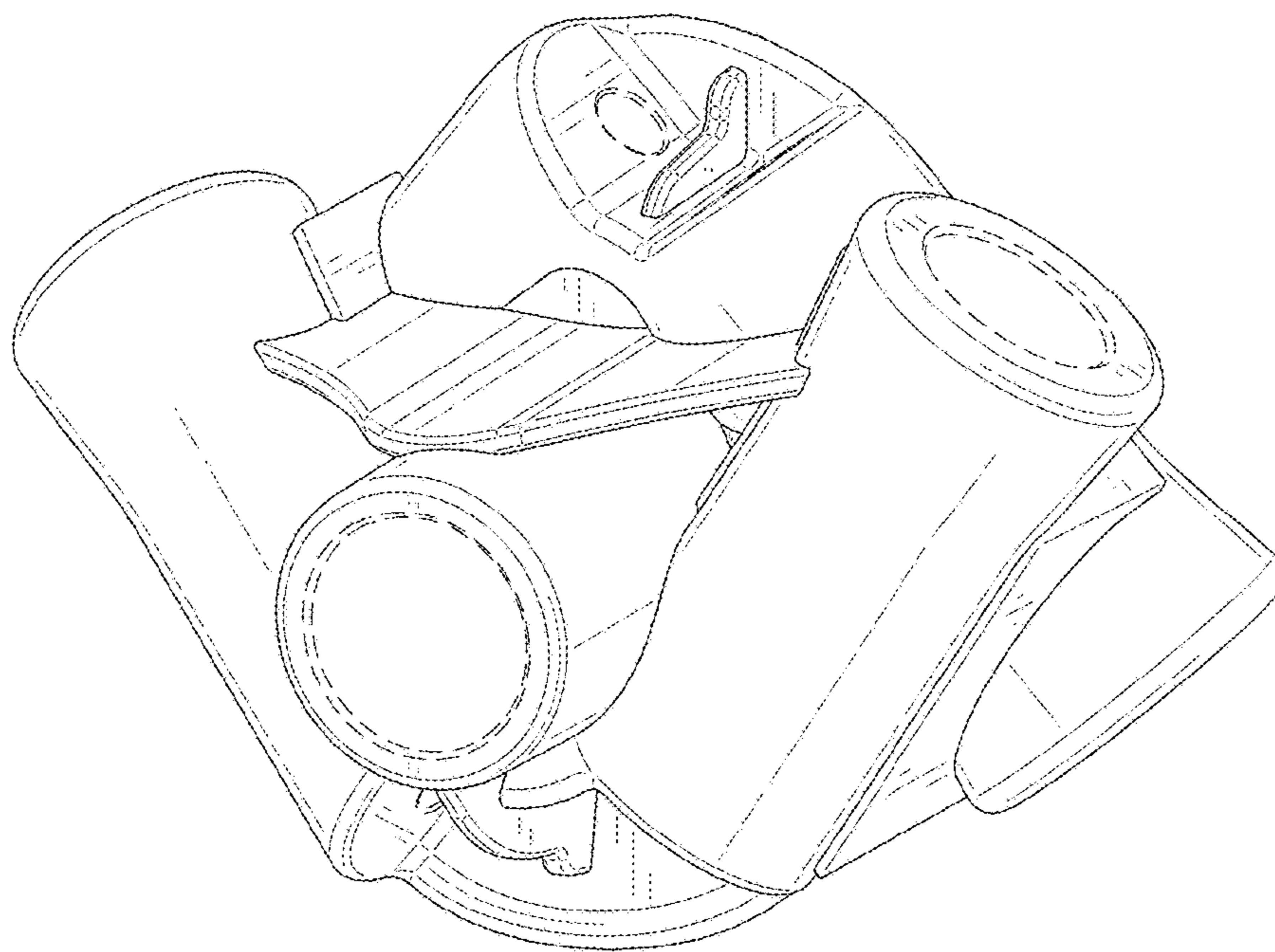


FIG. 2

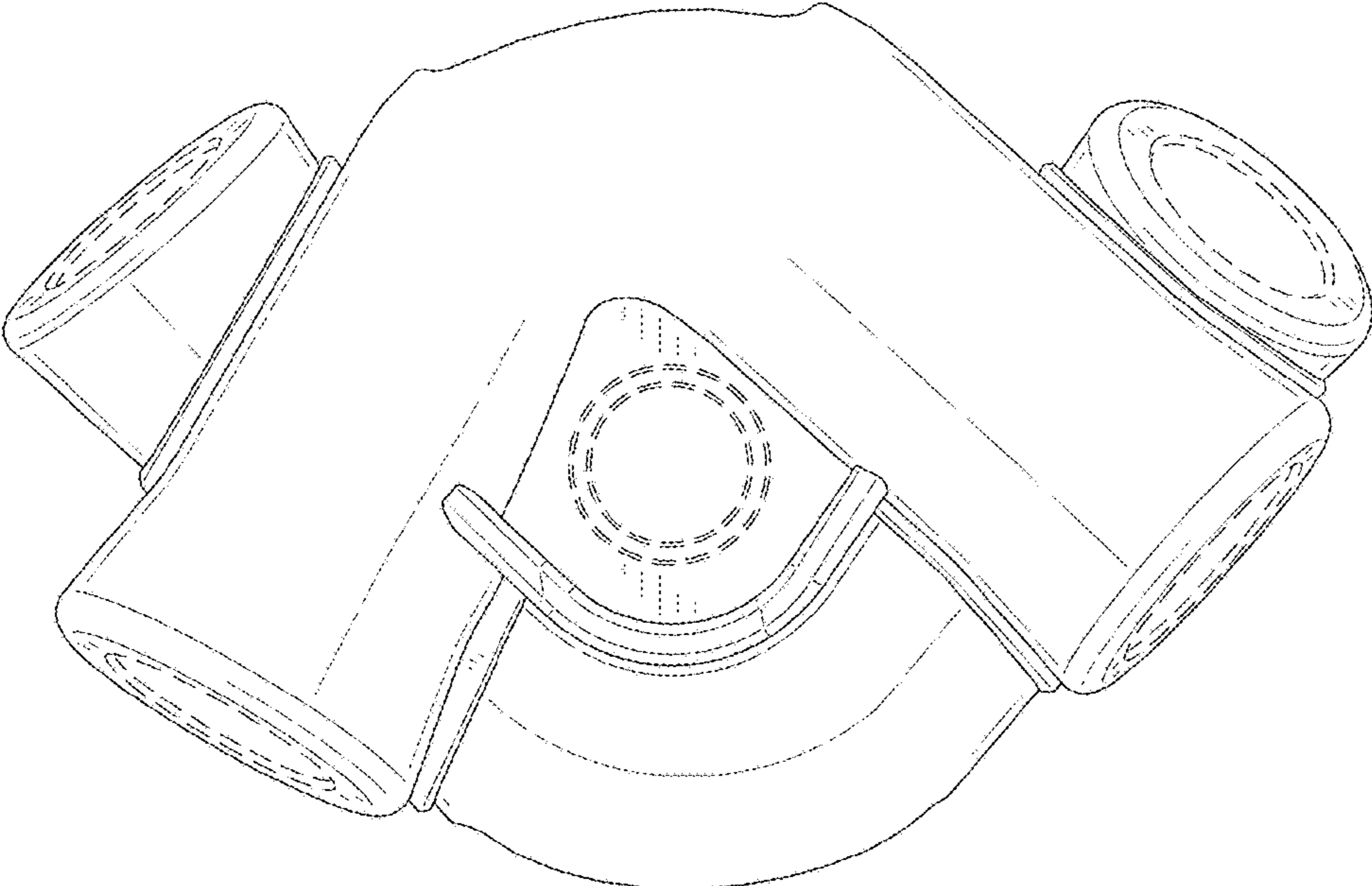


FIG. 3



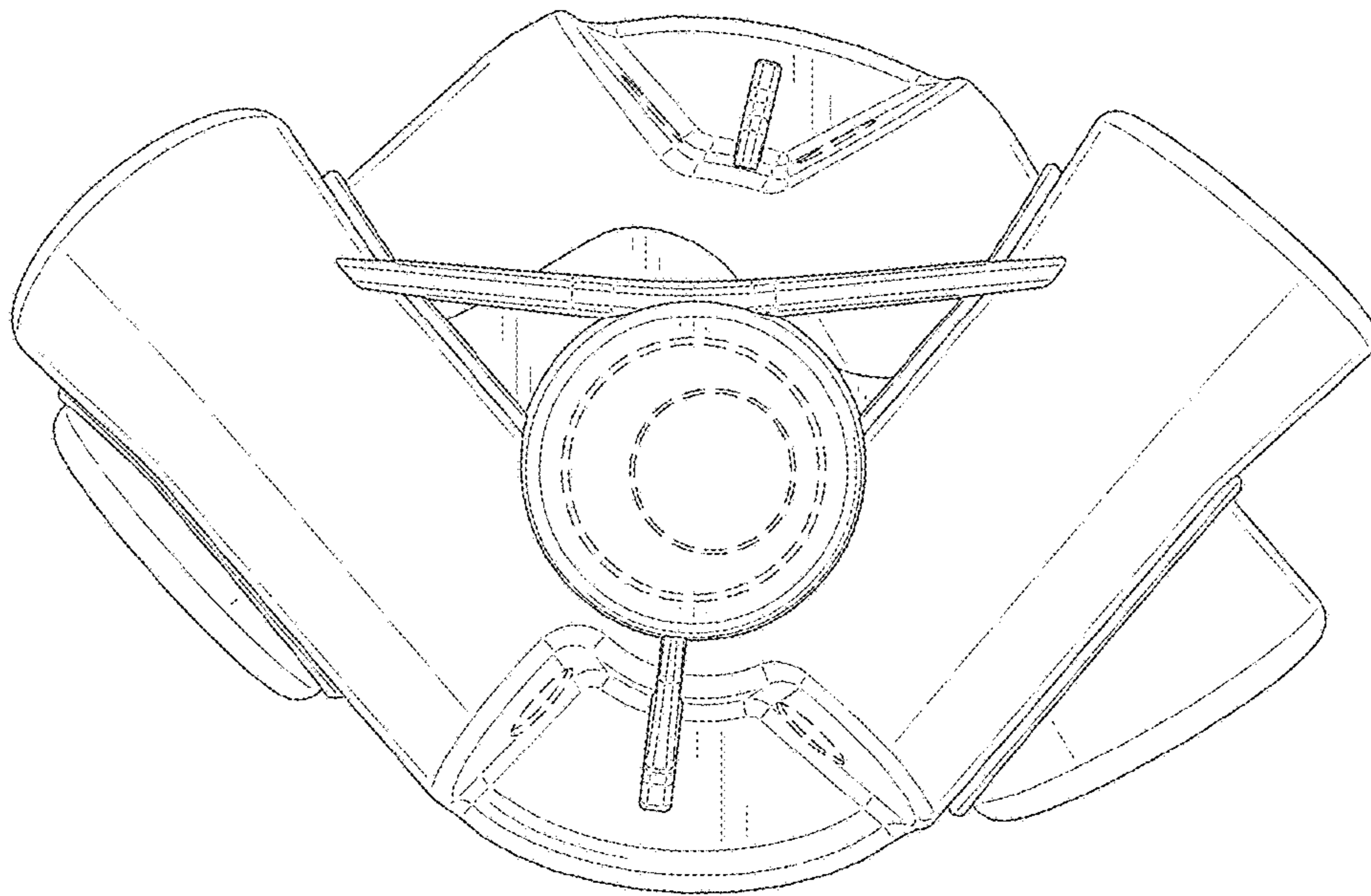


FIG. 4

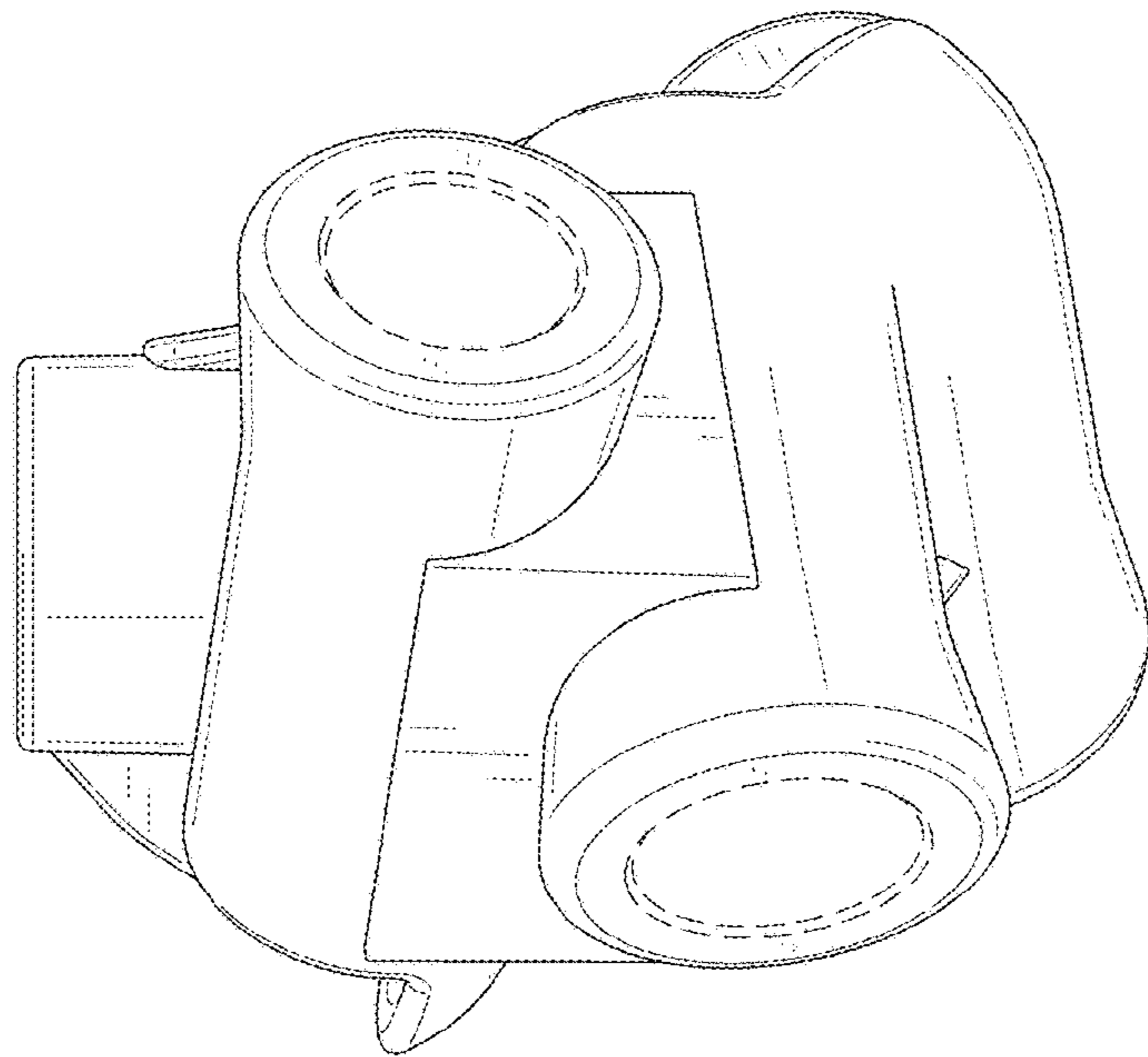


FIG. 5

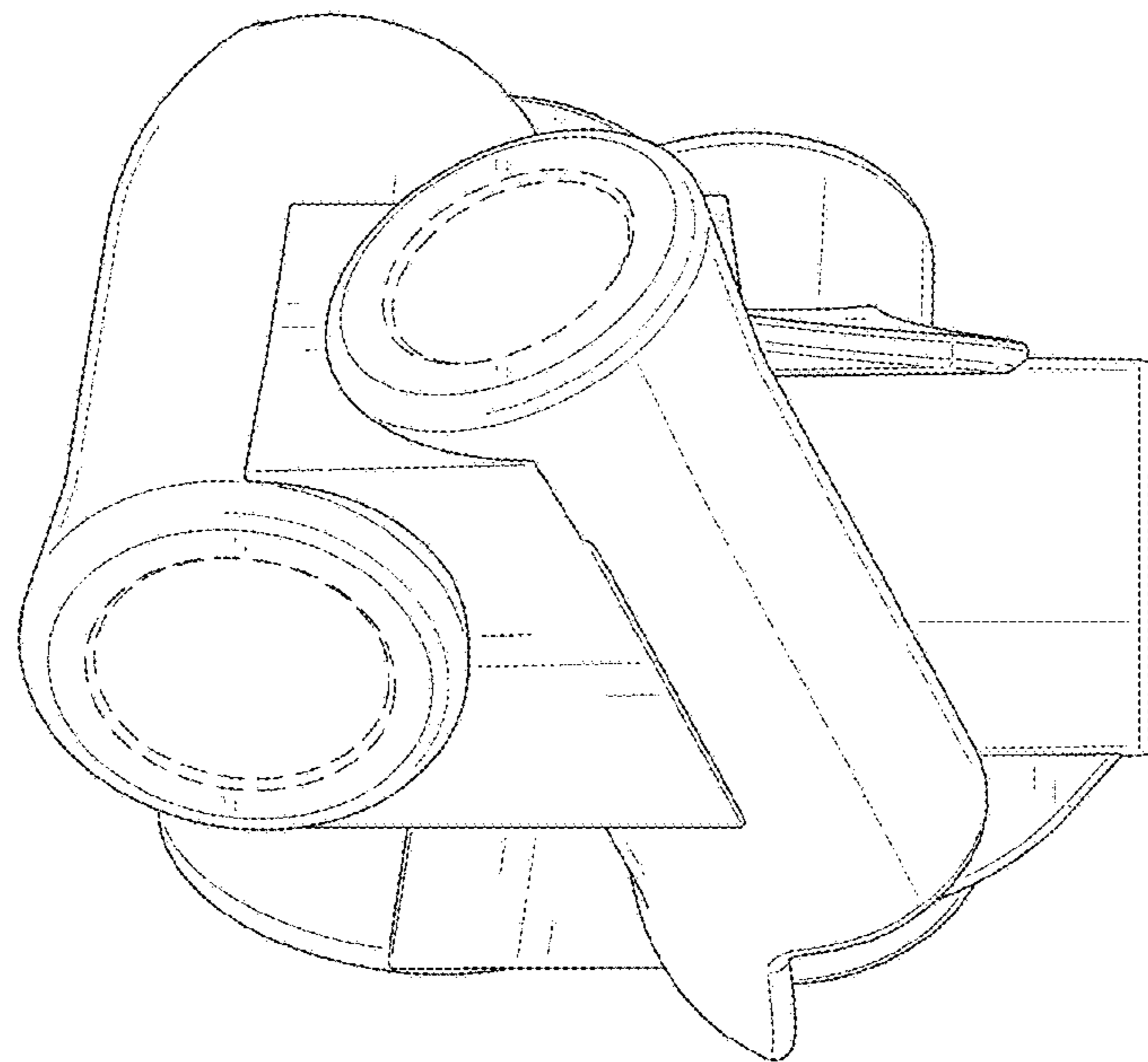


FIG. 6

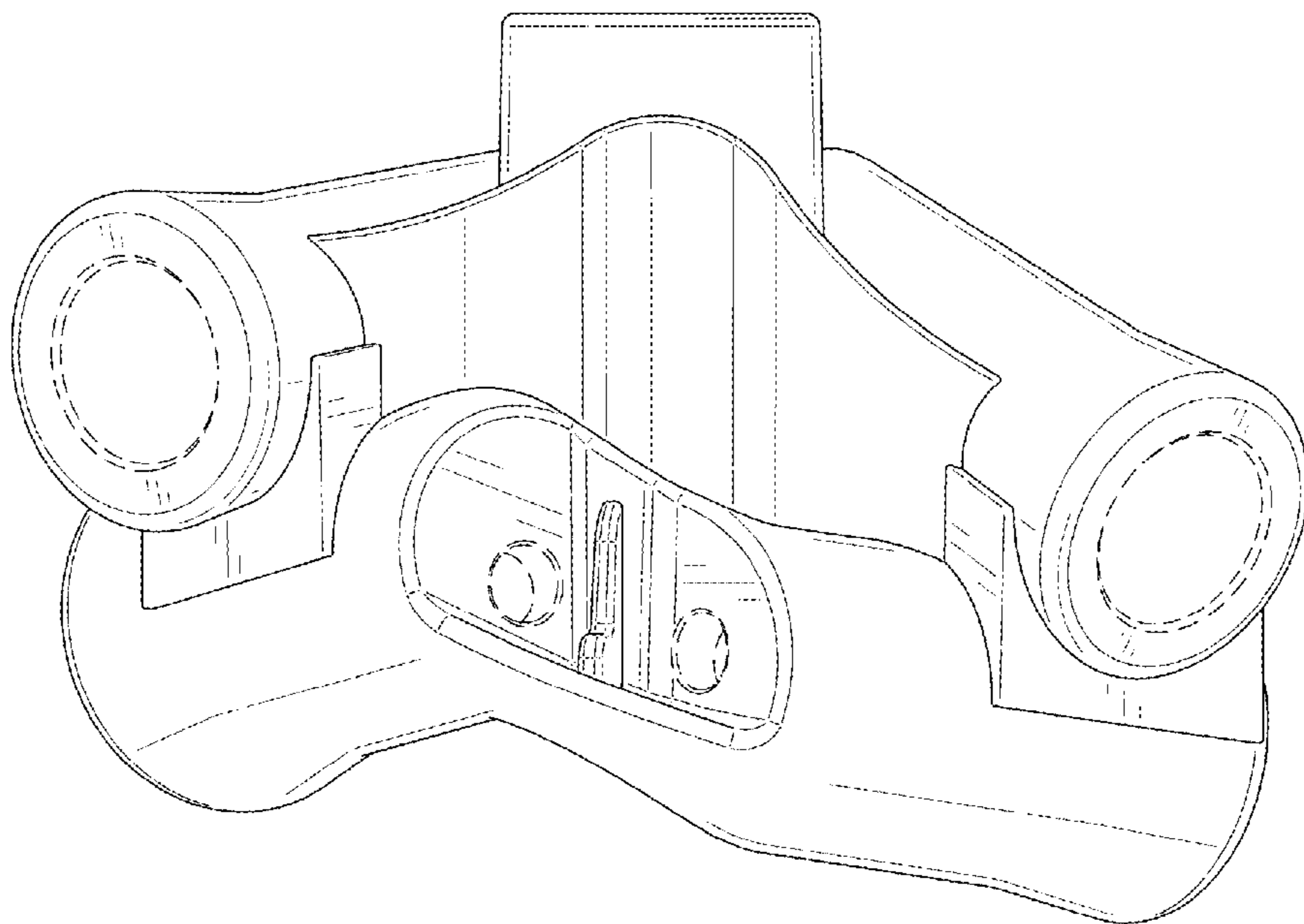


FIG. 7



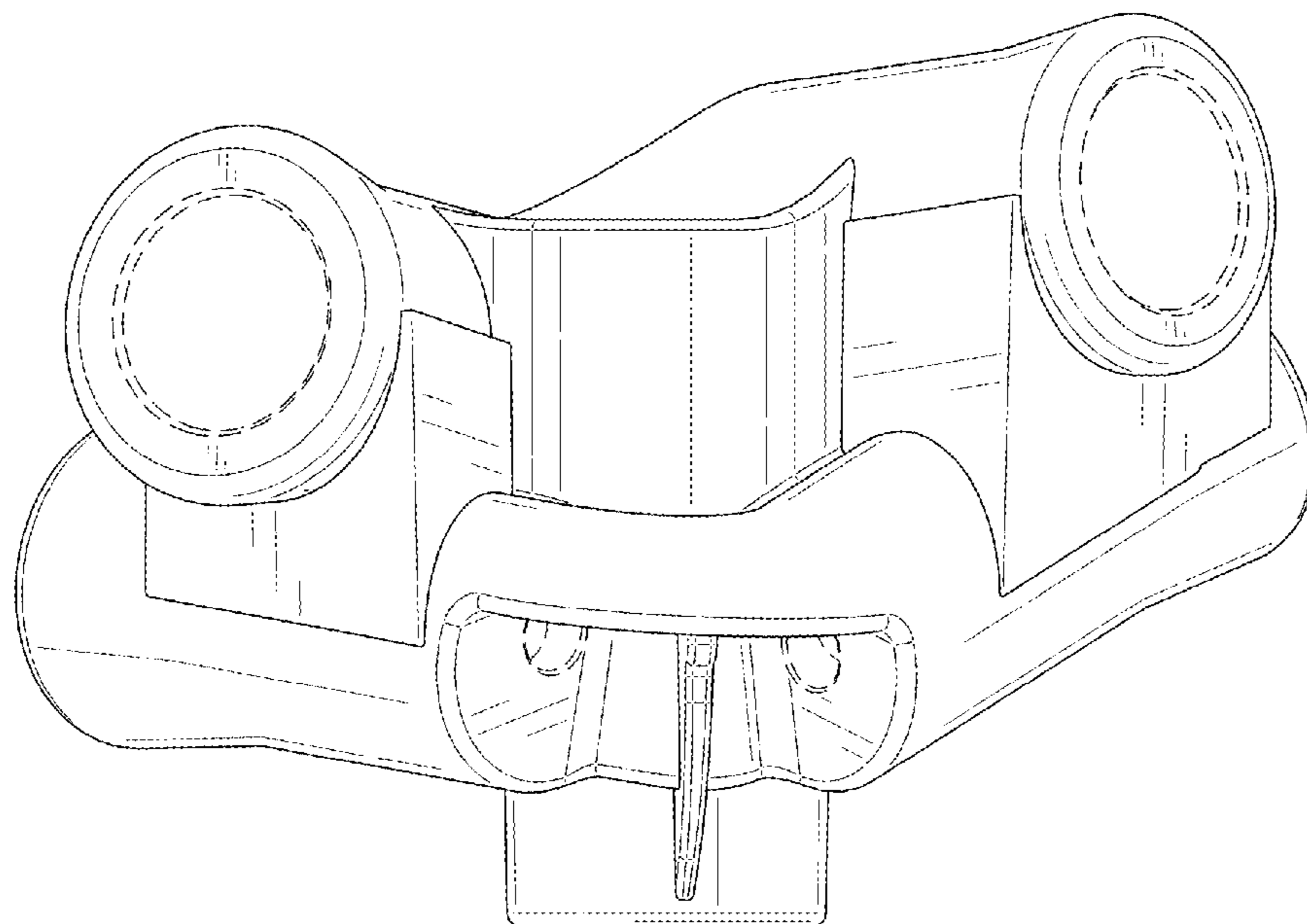


FIG. 8

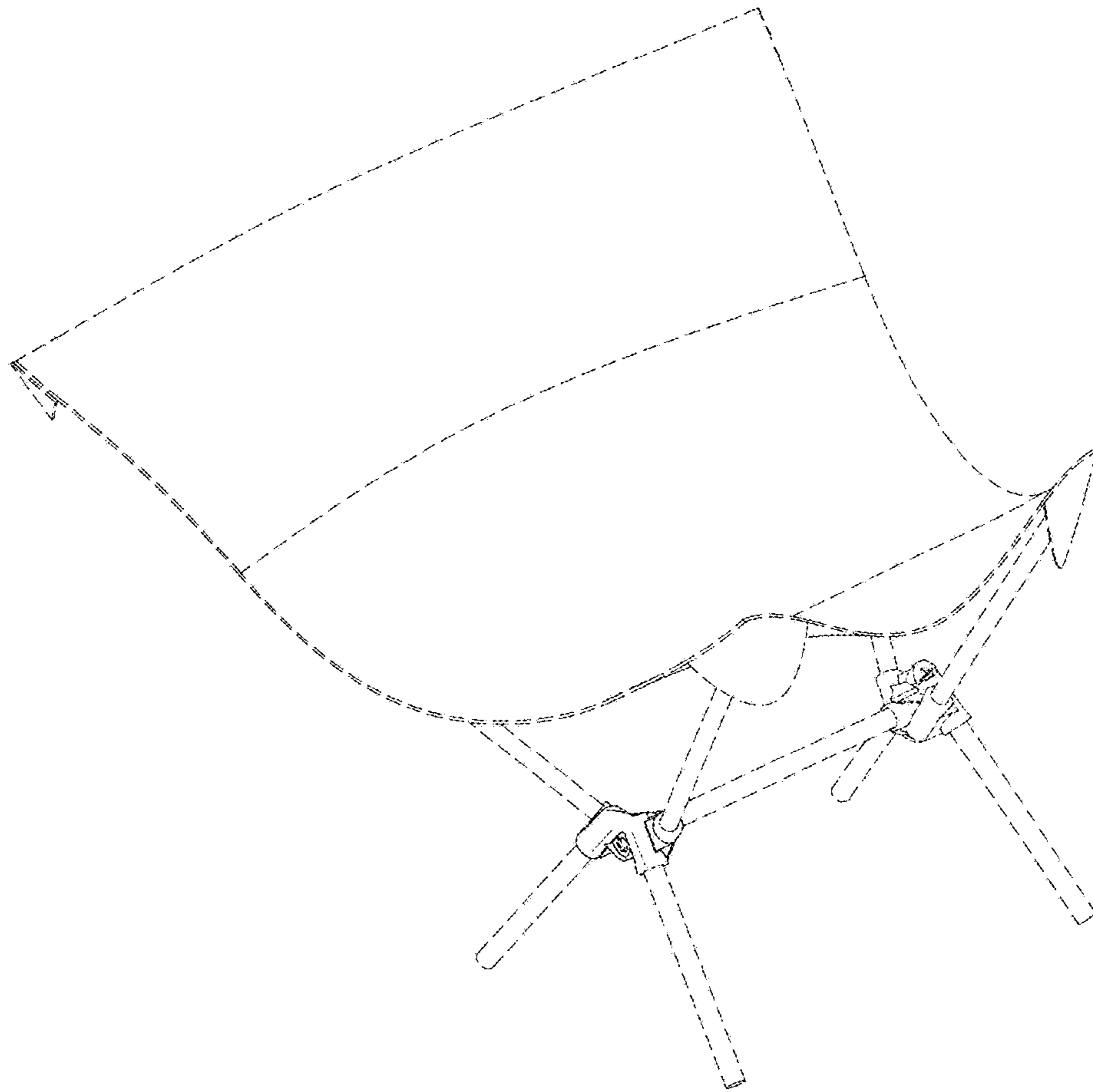


FIG. 9