



US00D848827S

(12) **United States Design Patent**
White

(10) **Patent No.:** **US D848,827 S**

(45) **Date of Patent:** **** May 21, 2019**

(54) **UNDER SHELF BRACKET WITH WEDGE**

(71) Applicant: **Michael J. White**, Ripon, WI (US)

(72) Inventor: **Michael J. White**, Ripon, WI (US)

(73) Assignee: **K-International, Inc.**, Waukegan, IL (US)

(**) Term: **15 Years**

(21) Appl. No.: **29/597,770**

(22) Filed: **Mar. 20, 2017**

(51) **LOC (11) Cl.** **08-05**

(52) **U.S. Cl.**
USPC **D8/381**

(58) **Field of Classification Search**
USPC D8/380, 381, 400, 402, 499
CPC A47B 96/028; A47B 57/42; A47B 96/06;
A47F 5/101; G09F 3/204
See application file for complete search history.

(56) **References Cited**

U.S. PATENT DOCUMENTS

181,320	A *	8/1876	Donnell	A47B 57/42 248/243
D27,175	S *	6/1897	Shepherd	D8/381
D45,052	S *	12/1913	Vail	D8/349
D198,586	S *	7/1964	Boltin	D8/381
D260,852	S *	9/1981	Loeschen	D8/381
4,313,587	A *	2/1982	Loeschen	A47B 57/56 248/217.2
D273,090	S *	3/1984	Imperial	D25/48.3
D302,240	S *	7/1989	Zell	D6/567
4,895,331	A *	1/1990	Nehls	A47B 57/565 108/108
D331,873	S *	12/1992	Finkelstein	D8/381
D424,121	S *	5/2000	Kump	D20/43
D491,054	S *	6/2004	Caterinacci, Jr.	D8/381
D554,983	S *	11/2007	Jones	D8/381
7,316,378	B1 *	1/2008	Curran	A47F 5/0068 248/298.1

D618,282 S 6/2010 Kosir
7,740,144 B2 * 6/2010 Kosir A47F 5/08
211/113
D714,625 S * 10/2014 Peterson D8/349
(Continued)

OTHER PUBLICATIONS

FFR Merchandising Magnetic Under-Shelf Mount Bracket, posted at amazon.com, posting date not given, [online], [site visited Jun. 26, 2018]. Available from Internet, URL: <https://www.amazon.com/FFR-Merchandising-1816180610-Magnetic-Under-Shelf/dp/B01ABWUMFY> (Year: 2018).*

(Continued)

Primary Examiner — George D. Kirschbaum
Assistant Examiner — Maria J Edwards
(74) *Attorney, Agent, or Firm* — Schiff Hardin LLP

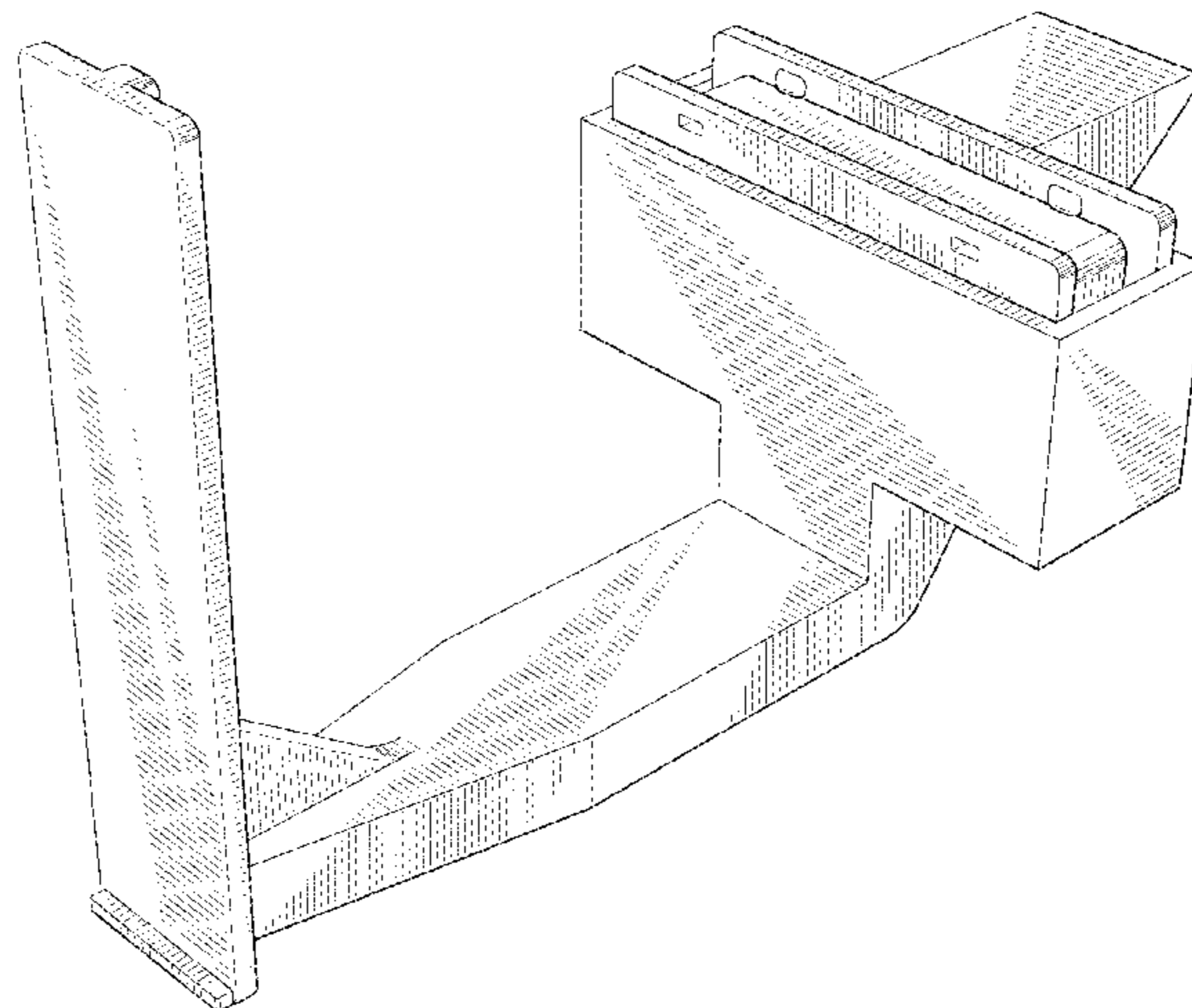
(57) **CLAIM**

The ornamental design for a under shelf bracket with wedge, as shown and described.

DESCRIPTION

FIG. 1 is a perspective view taken from the top, front, right side of the under shelf bracket with wedge showing my new design;
FIG. 2 is a perspective view taken from the bottom, back, right side thereof;
FIG. 3 is a front elevational view thereof;
FIG. 4 is a back elevational view thereof;
FIG. 5 is a elevational view of the right side thereof, the left side elevational view thereof being a mirror image of the right side elevational view thereof;
FIG. 6 is a top plan view thereof; and,
FIG. 7 is a bottom plan view thereof.
The broken lines illustrate portions of the under shelf bracket with wedge and form no part of the claimed design.

1 Claim, 5 Drawing Sheets



(56)

References Cited

U.S. PATENT DOCUMENTS

D715,632 S * 10/2014 White D8/395
9,200,729 B2 * 12/2015 Hobbs F16L 3/006
D769,372 S 10/2016 White
D815,515 S * 4/2018 White D8/380
2004/0195192 A1 * 10/2004 Belokin A47F 5/0823
211/59.1
2017/0007038 A1 * 1/2017 Ewing A47F 1/126
2017/0231384 A1 * 8/2017 Erlandsson A47B 57/42
248/243

OTHER PUBLICATIONS

K-Frame Magnetic Under-Shelf Holder, posted at kinter.com, posting date not given, [online], [site visited Jun. 26, 2018]. Available from Internet, URL: <http://products.kinter.com/viewitems/new-products/k-frame-magnetic-under-shelf-holder> (Year: 2018).*

Magnetic Under-Shelf Mount Bracket L-Style, posted at ffr.com, posting date not given, [online], [site visited Jun. 26, 2018]. Available from Internet, URL: <https://www.ffr.com/magnetic-under-shelf-mount-bracket-l-style> (Year: 2018).*

Magnetic Under-Shelf Mount Bracket with Swivel, posted at ffr.com, posting date not given, [online], [site visited Jun. 26, 2018]. Available from Internet, URL: <https://www.ffr.com/magnetic-under-shelf-mount-bracket-with-swivel> (Year: 2018).*

Shelf-Top Merchandising Strip Hanger, posted at kinter.com, posting date not given, [online], [site visited Jun. 26, 2018]. Available from Internet, URL: <http://products.kinter.com/item/new-products/shelf-top-merchandising-strip-hanger-plastic/107995> (Year: 2018).*

* cited by examiner

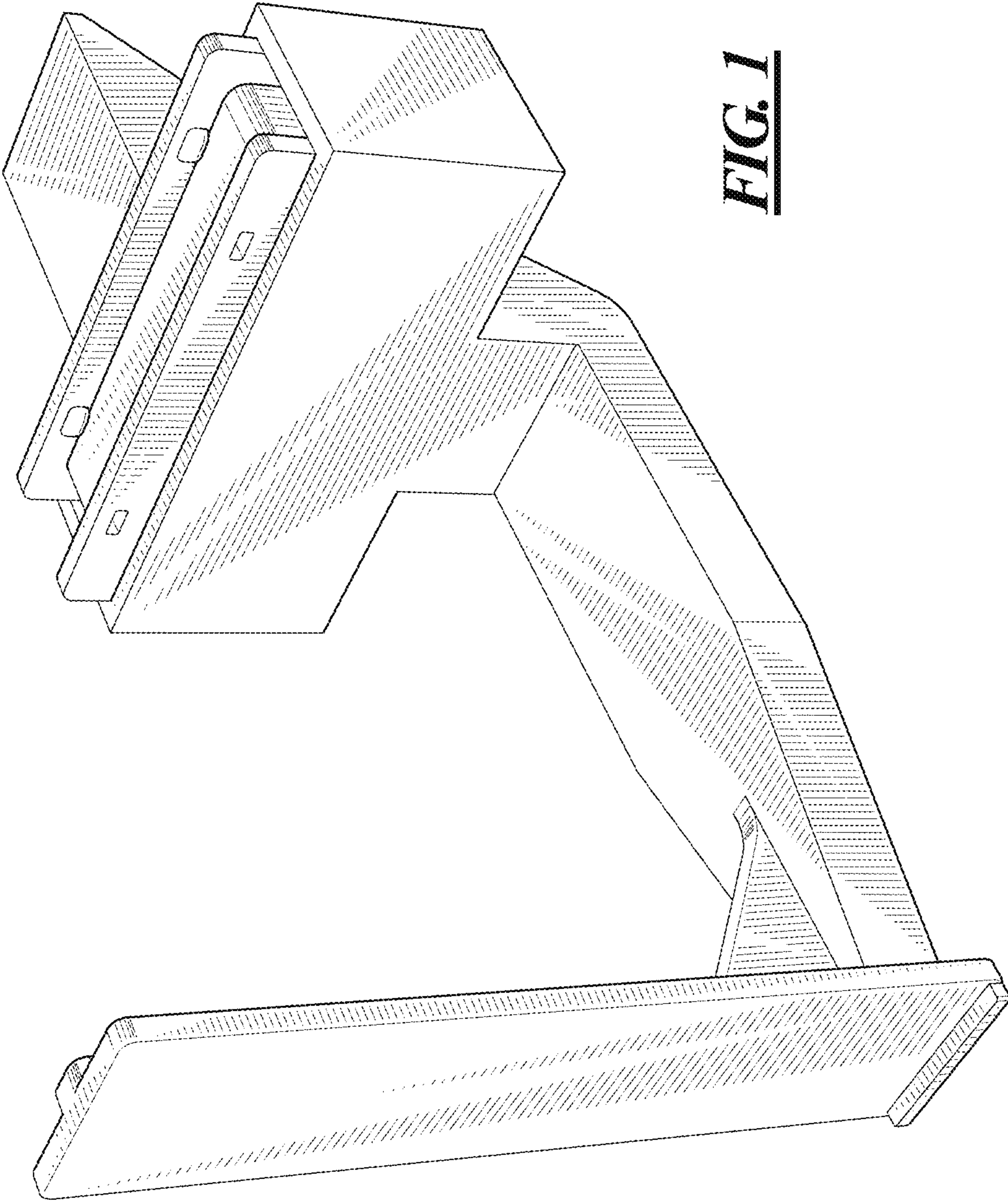


FIG. 1

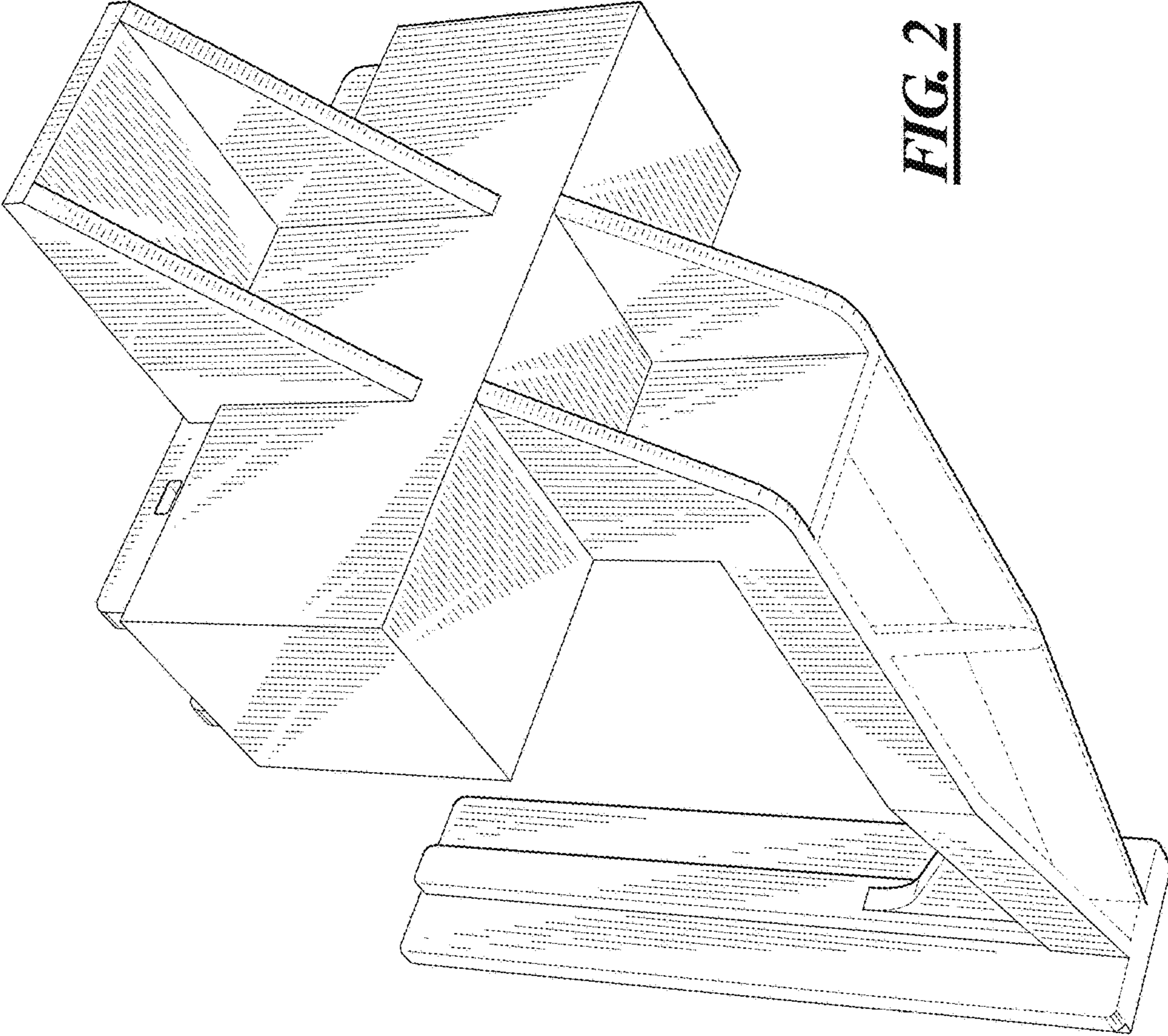


FIG. 2

FIG. 4

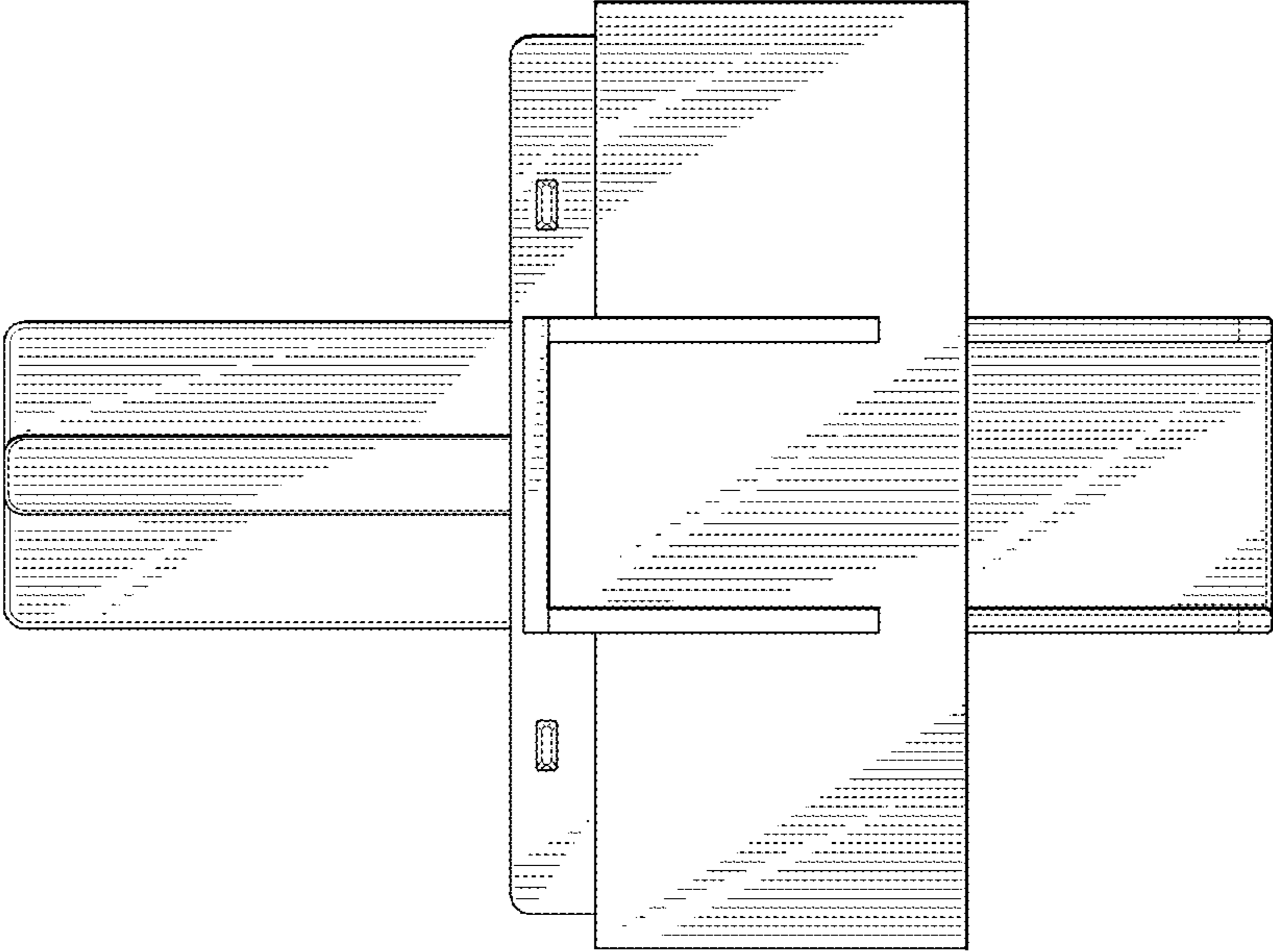


FIG. 3

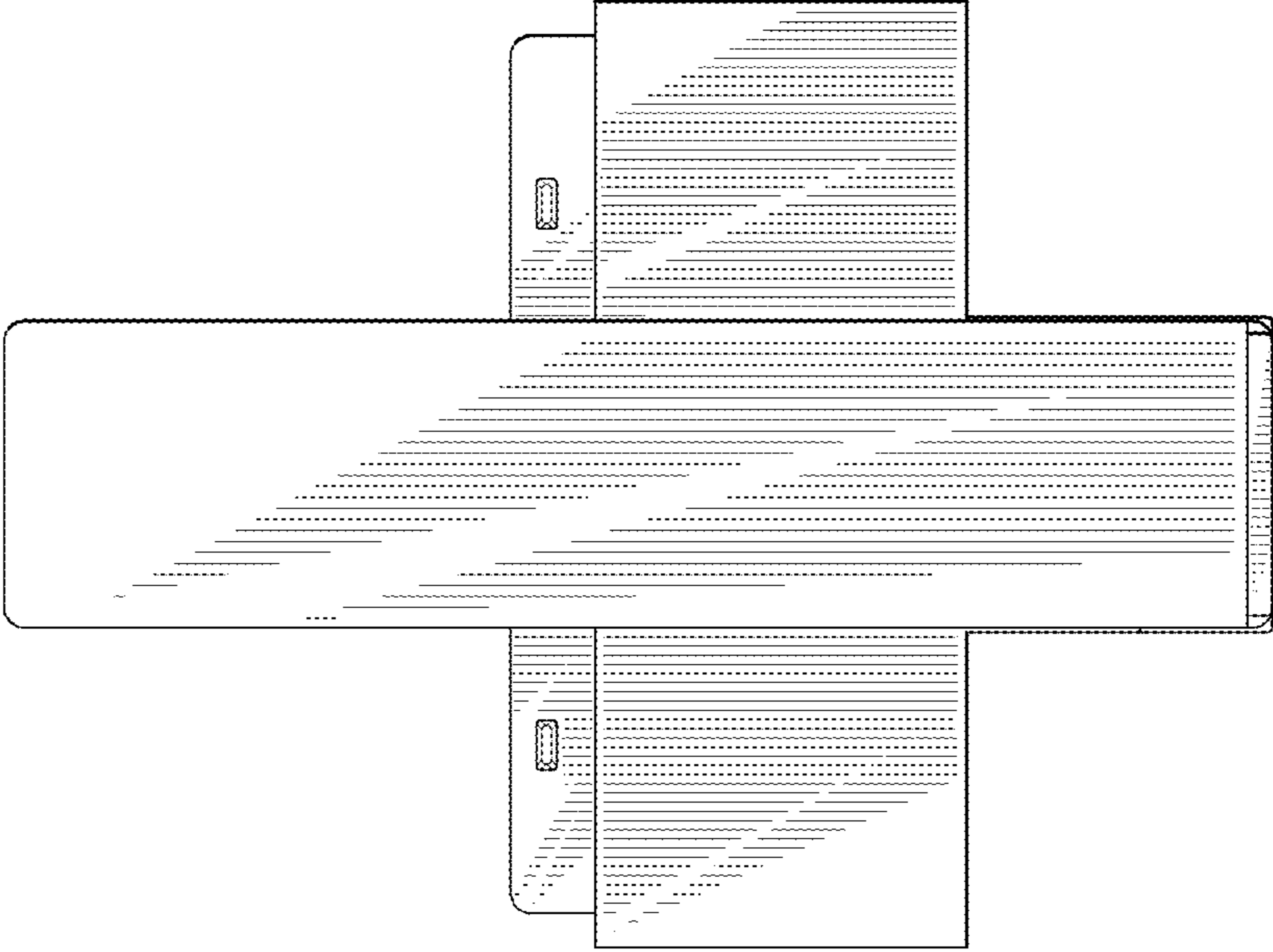


FIG. 5

