



US00D848826S

(12) **United States Design Patent** (10) **Patent No.:** **US D848,826 S**
Williams (45) **Date of Patent:** **** May 21, 2019**

(54) **OVER-THE-DOOR WREATH HANGER**

(71) Applicant: **Scott G Williams**, Pottsville, PA (US)

(72) Inventor: **Scott G Williams**, Pottsville, PA (US)

(73) Assignee: **Cotts, Inc.**, Pottsville, PA (US)

(**) Term: **15 Years**

(21) Appl. No.: **29/548,221**

(22) Filed: **Dec. 11, 2015**

Related U.S. Application Data

(63) Continuation of application No. 14/450,467, filed on Aug. 4, 2014, now abandoned.

(51) **LOC (11) Cl.** **08-05**

(52) **U.S. Cl.**
USPC **D8/373**

(58) **Field of Classification Search**
USPC D8/355, 363, 366, 367, 371, 372, 373;
D6/323, 324, 327, 328, 524, 526, 531,
D6/534, 538, 553

(Continued)

(56) **References Cited**

U.S. PATENT DOCUMENTS

D257,810 S * 1/1981 Wilson D6/556
D646,151 S * 10/2011 Potts D8/367

(Continued)

Primary Examiner — Eliza Z Bennett-Hattan

(74) *Attorney, Agent, or Firm* — Carla Gannon Law

(57) **CLAIM**

I claim the ornamental design for an over-the-door wreath hanger, as shown and described.

DESCRIPTION

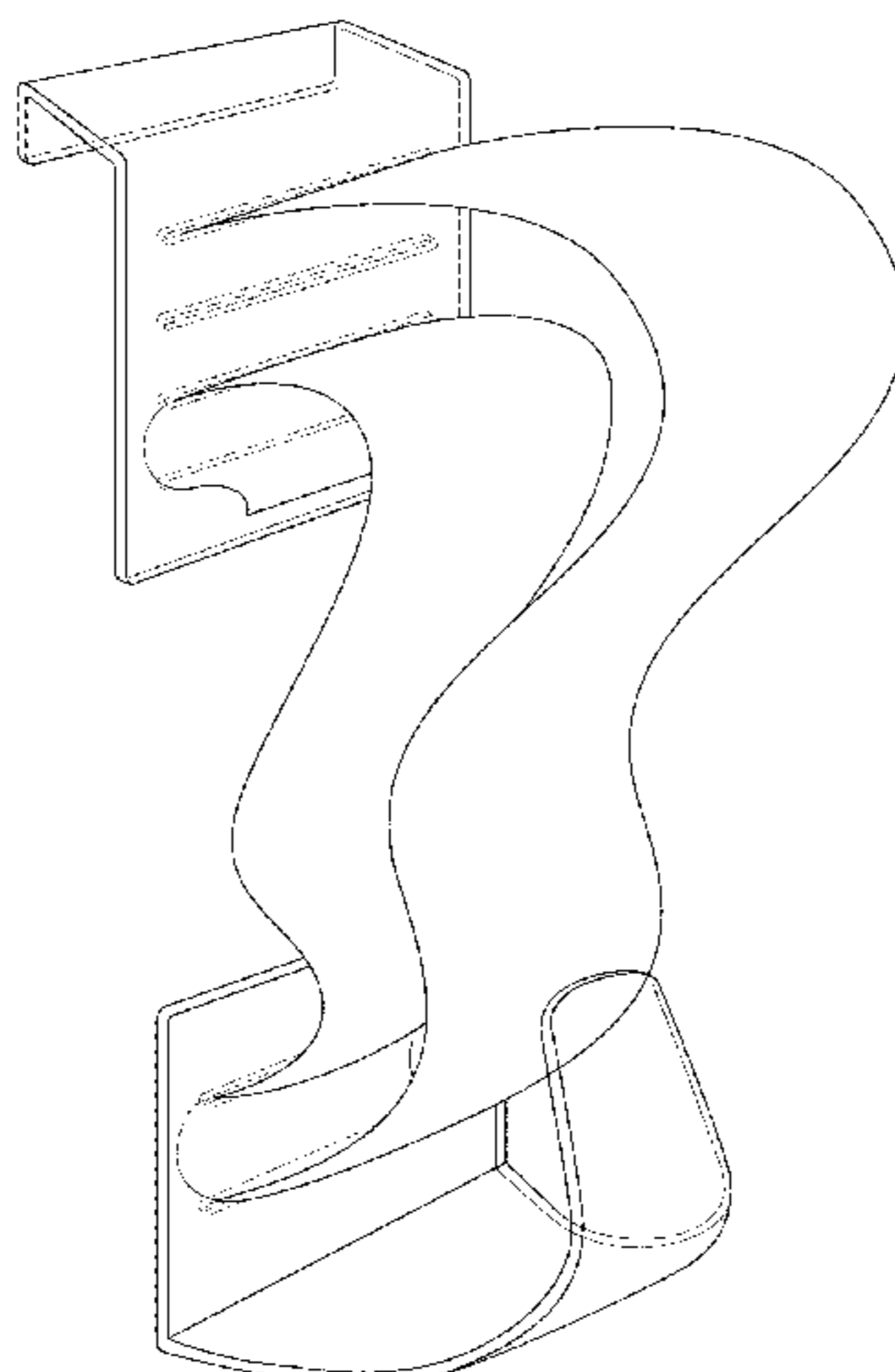
FIG. 1 is a perspective view of a transparent embodiment of an over-the-door wreath hanger;

FIG. 2 is a front view of a second embodiment of FIG. 1 shown with the ribbon portion of the over-the-door wreath hanger removed to show details not otherwise visible; FIG. 3 is a front view of a third embodiment of FIG. 1 shown with the ribbon portion of the over-the-door wreath hanger removed to show details not otherwise visible; FIG. 4 is a front view of a fourth embodiment of FIG. 1 shown with the ribbon portion of the over-the-door wreath hanger removed to show details not otherwise visible; FIG. 5 is a front view of a fifth embodiment of FIG. 1 shown with the ribbon portion of the over-the-door wreath hanger removed to show details not otherwise visible; FIG. 6 is a front view of a sixth embodiment of FIG. 1 shown with the ribbon portion of the over-the-door wreath hanger removed to show details not otherwise visible; FIG. 7 is a front view of a seventh embodiment of FIG. 1 shown with the ribbon portion of the over-the-door wreath hanger removed to show details not otherwise visible; FIG. 8 is a perspective view of a wreath hanger of FIG. 1 shown with the ribbon portion of the over-the-door wreath hanger removed to show details not otherwise visible; FIG. 9 is a perspective view of an opaque eighth embodiment of an over-the-door wreath hanger with the ribbon removed for clarity of disclosure; FIG. 10 is a front view of an over-the-door wreath hanger of FIG. 9 suspended from a door and supporting a wreath; FIG. 11 is an enlarged detail view of FIG. 2; FIG. 12 is an enlarged detail view of FIG. 3; FIG. 13 is an enlarged detail view of FIG. 4; FIG. 14 is an enlarged detail view of FIG. 5; FIG. 15 is an enlarged detail view of FIG. 6; and, FIG. 16 is an enlarged detail view of FIG. 7.

The broken lines showing the wreath and door of FIG. 10 are included for purposes of illustrating the over-the-door wreath hanger in use, and form no part of the claimed invention.

The broken lines within the over-the-door wreath hanger represent unclaimed portions of the over-the-door wreath hanger and form no part of the claimed design. All other broken lines represent unclaimed environmental subject matter only and form no part of the claimed design.

1 Claim, 8 Drawing Sheets



(58) **Field of Classification Search**

CPC A47G 7/044; A47G 7/047; A01G 9/02
See application file for complete search history.

(56) **References Cited**

U.S. PATENT DOCUMENTS

| | | | | |
|------------|---|---------|------------------|--------|
| D647,328 S | * | 10/2011 | Levin | D6/323 |
| D667,249 S | * | 9/2012 | London | D6/553 |
| D701,110 S | * | 3/2014 | Symons | D8/373 |
| D712,672 S | * | 9/2014 | Farias, Jr. | D6/323 |
| D767,907 S | * | 10/2016 | Goodman | D6/323 |
| D798,081 S | * | 9/2017 | Marsden | D6/553 |

* cited by examiner

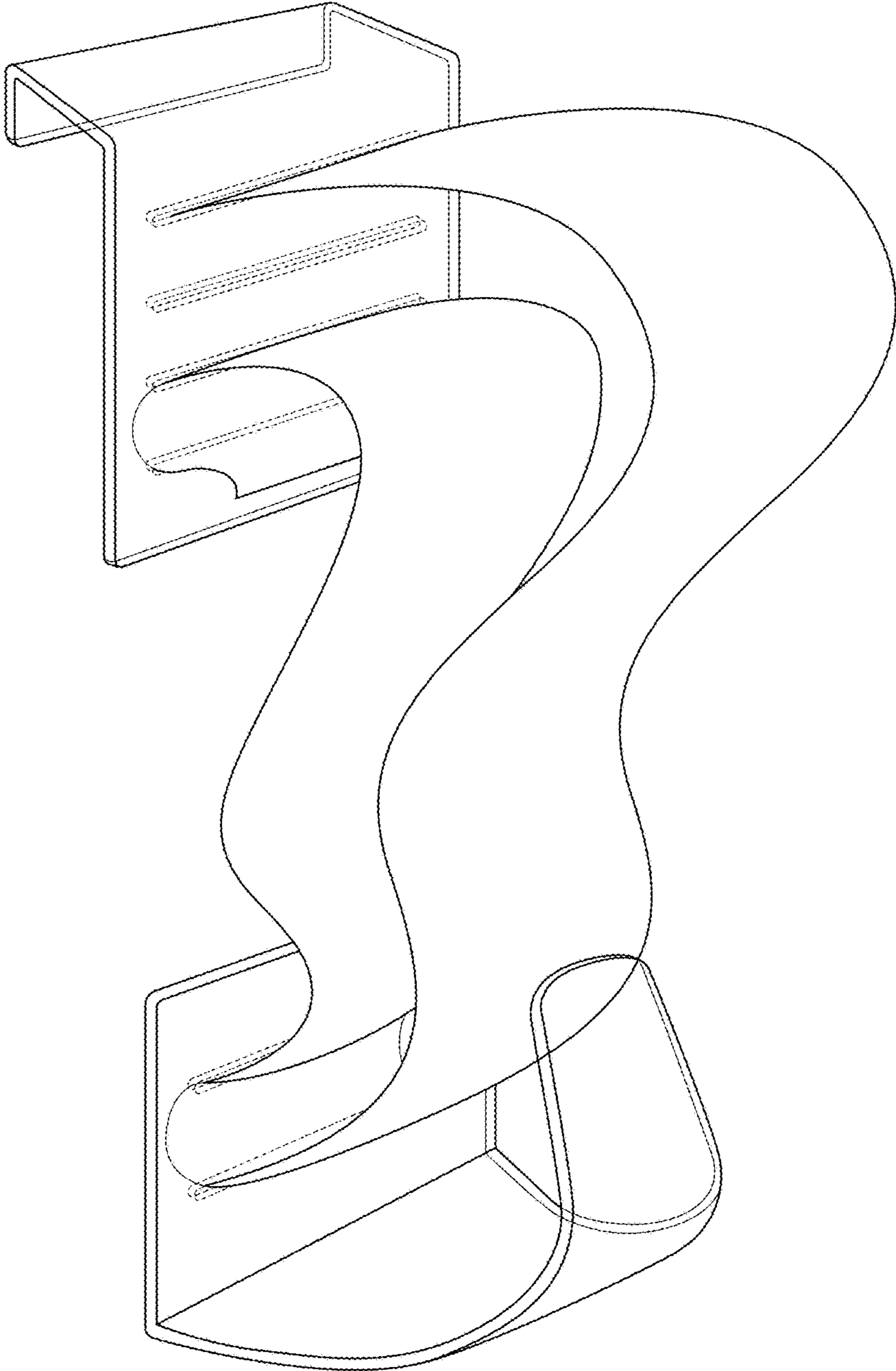
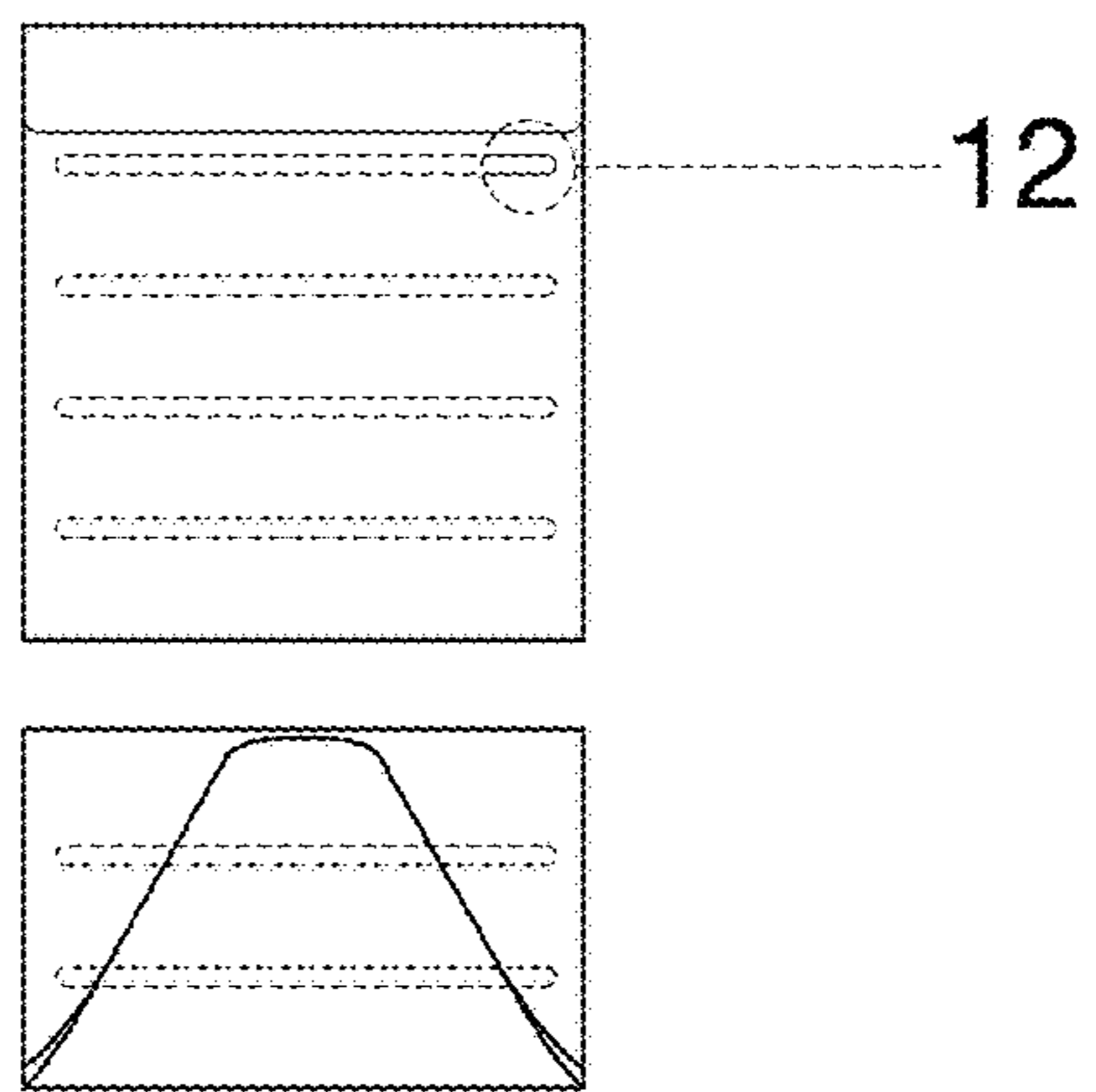
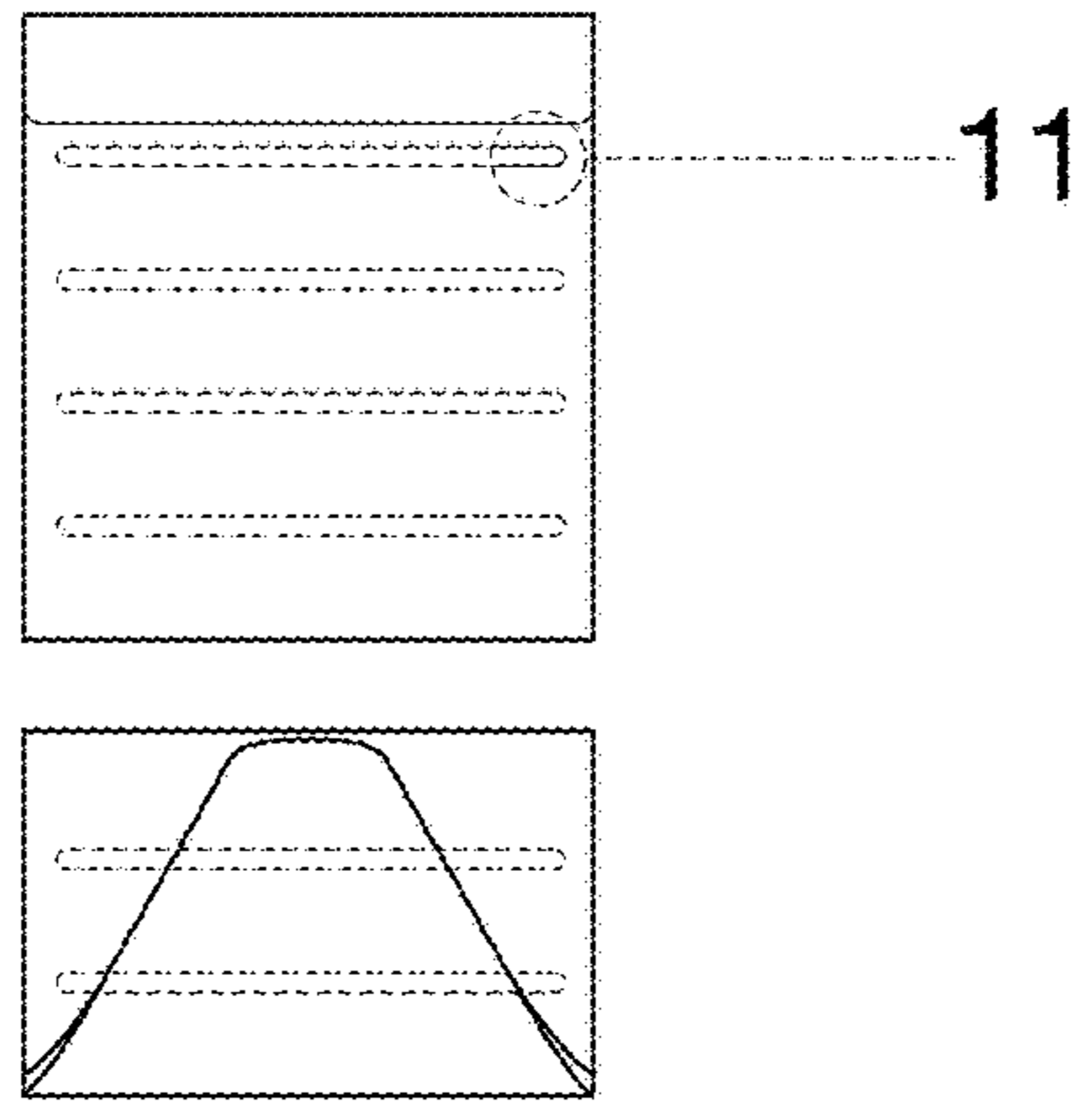


FIG. 1



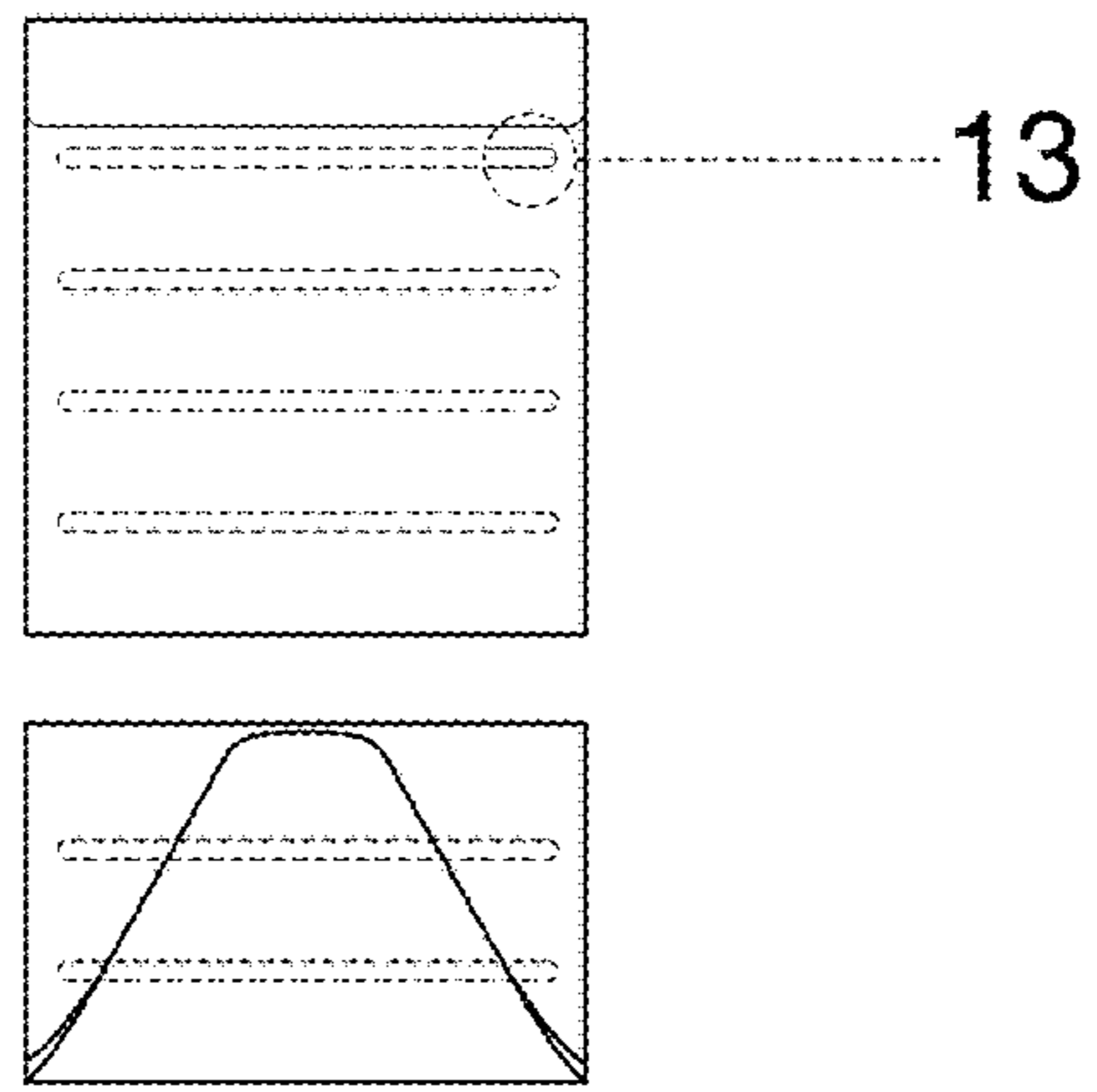


FIG. 4

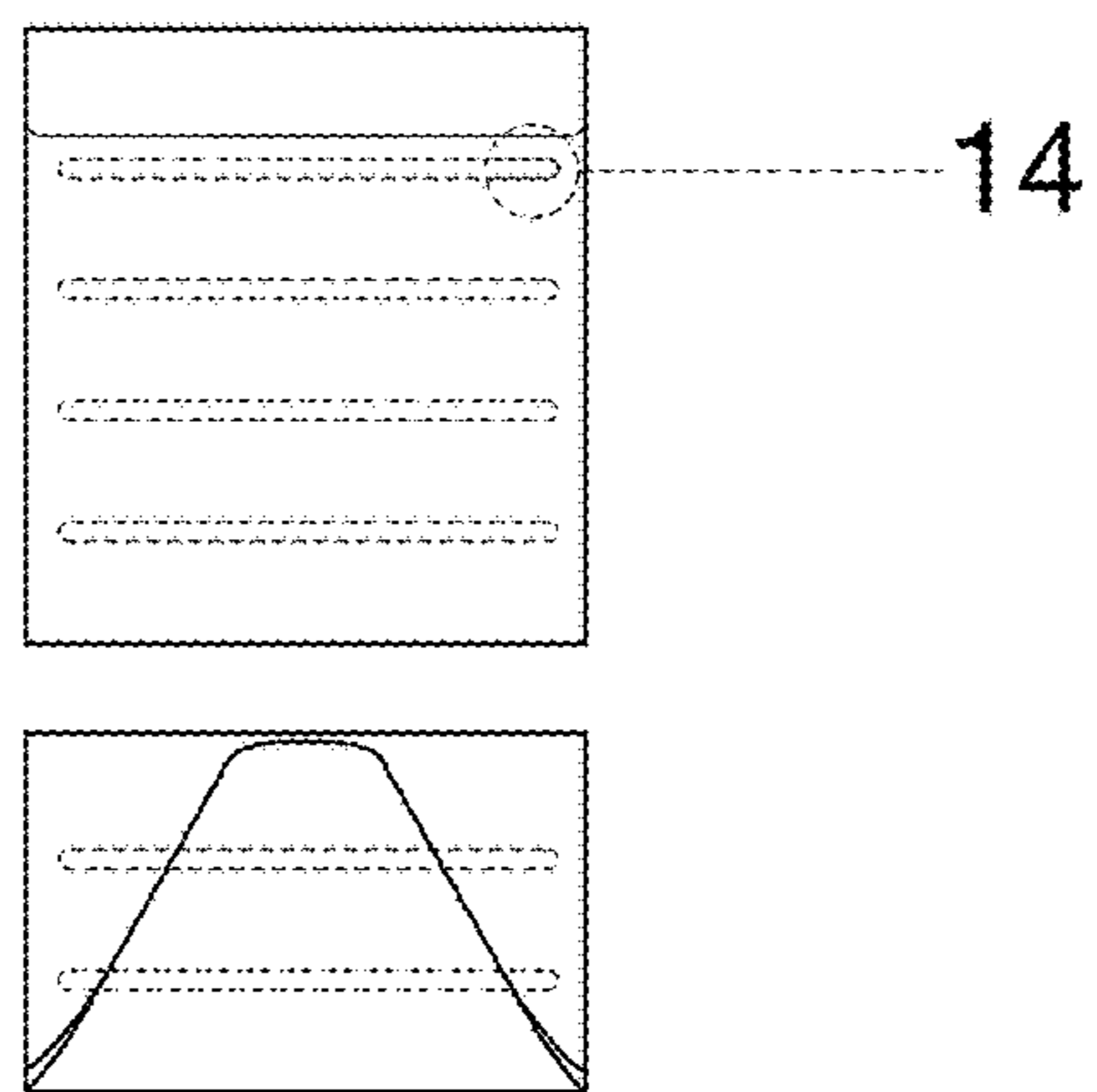


FIG. 5

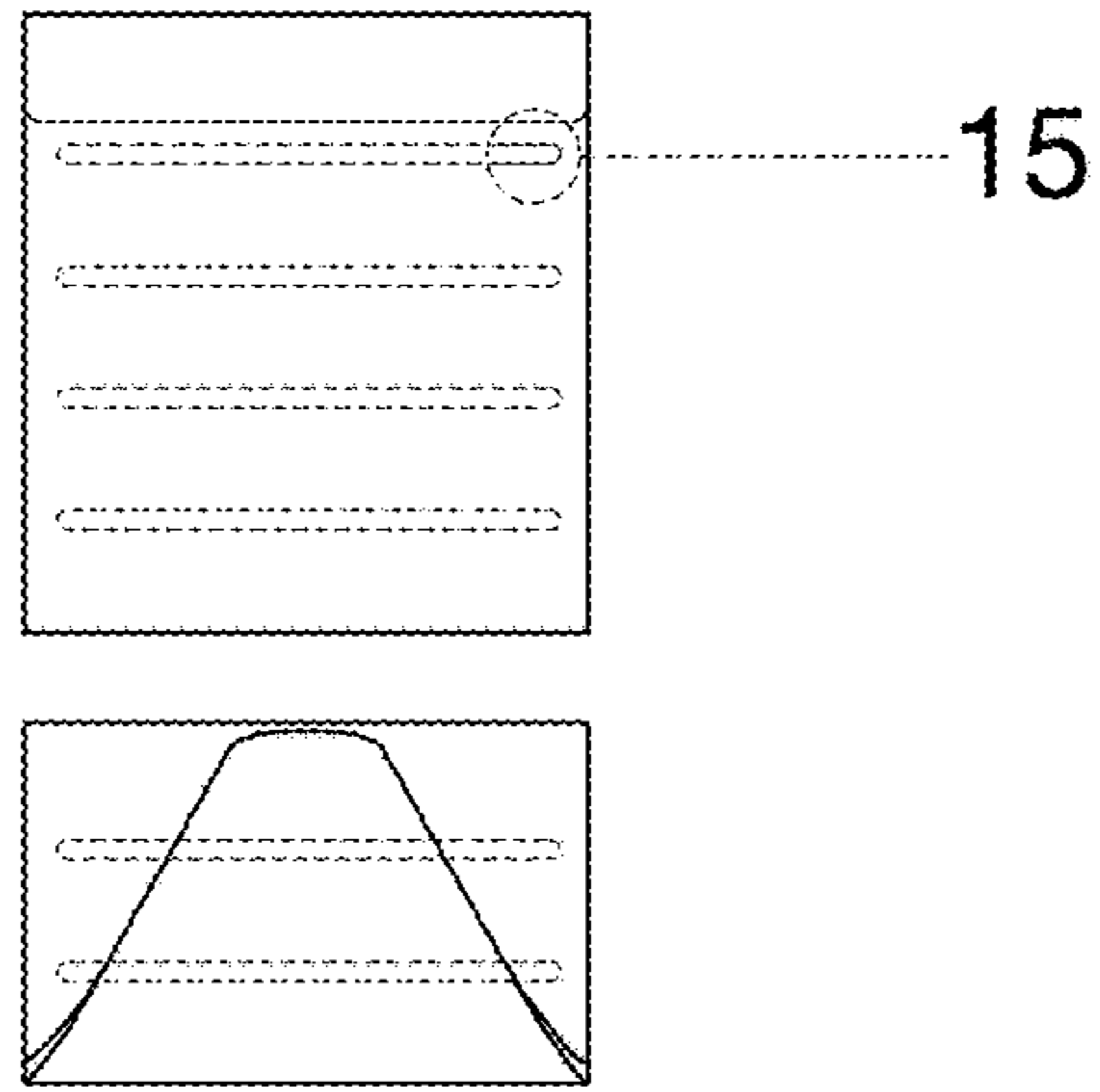


FIG. 6

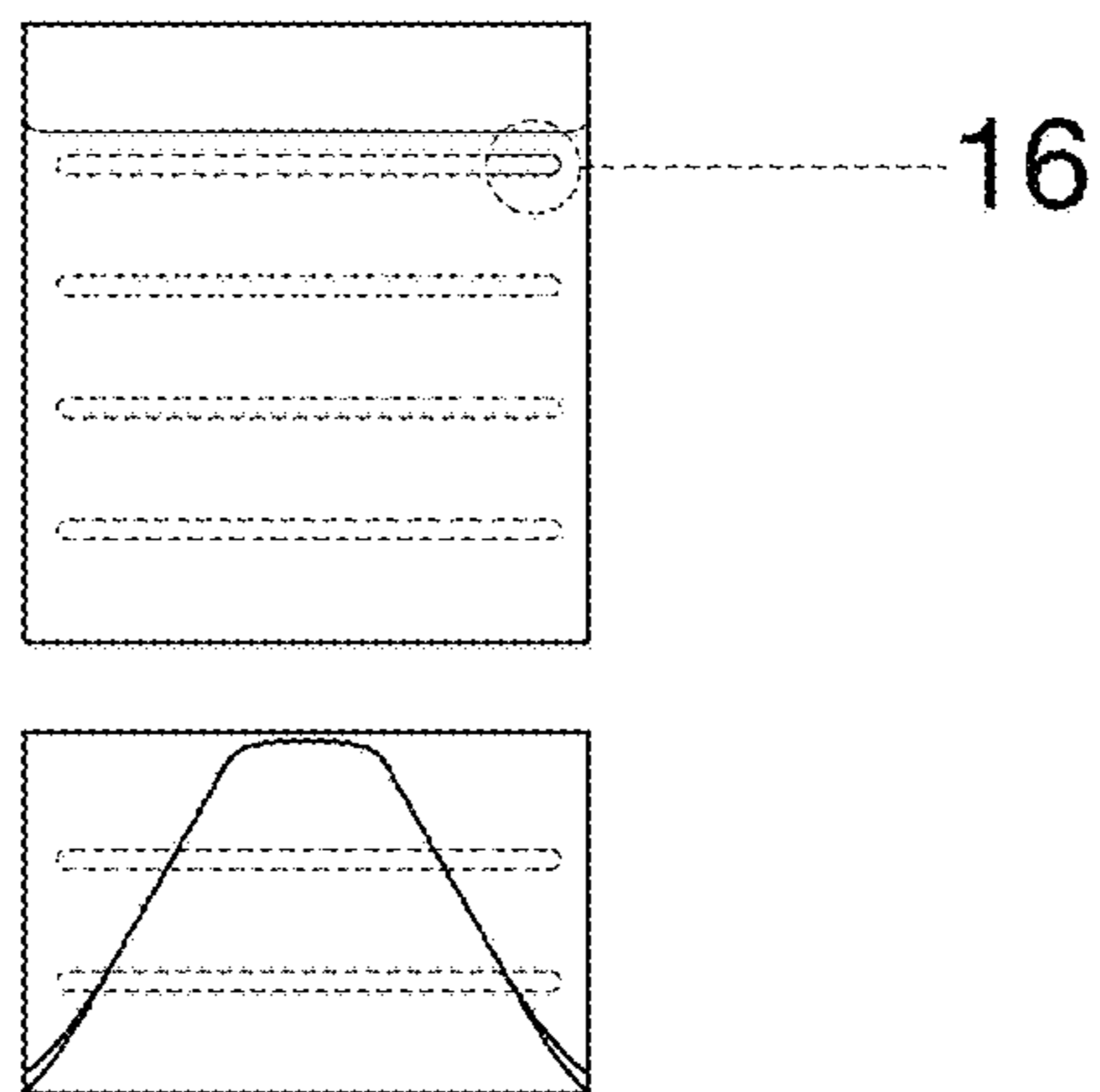


FIG. 7

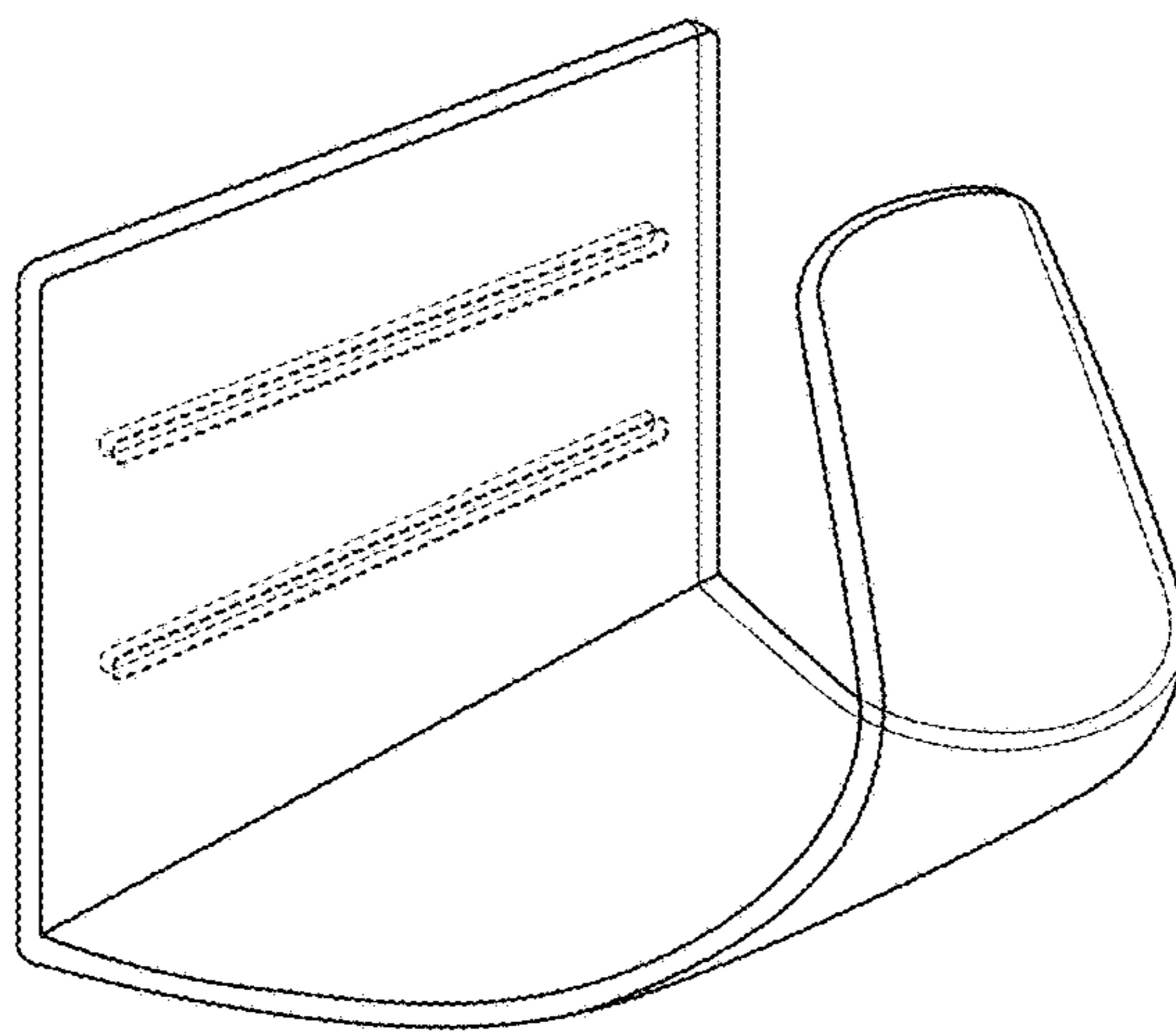
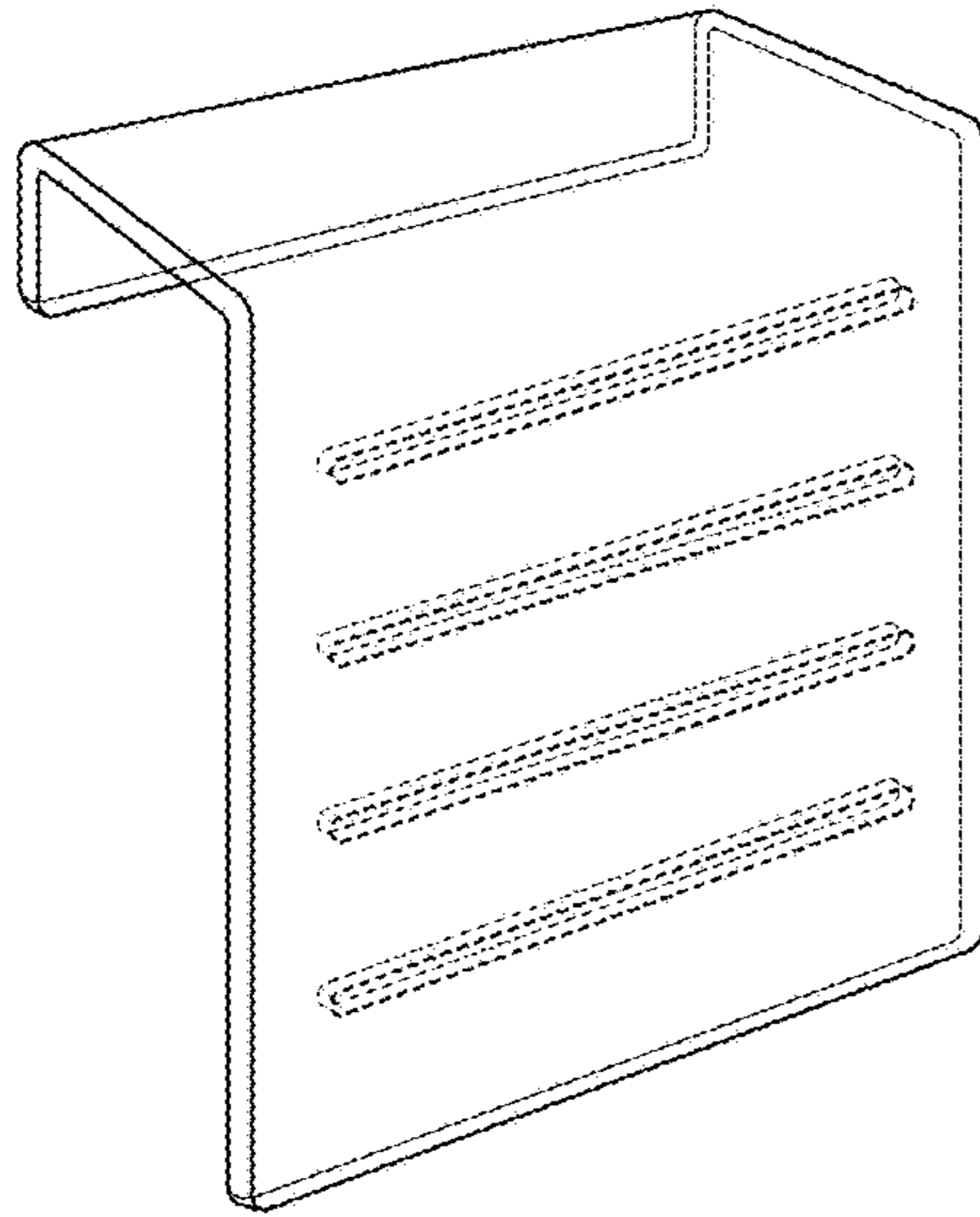


FIG. 8

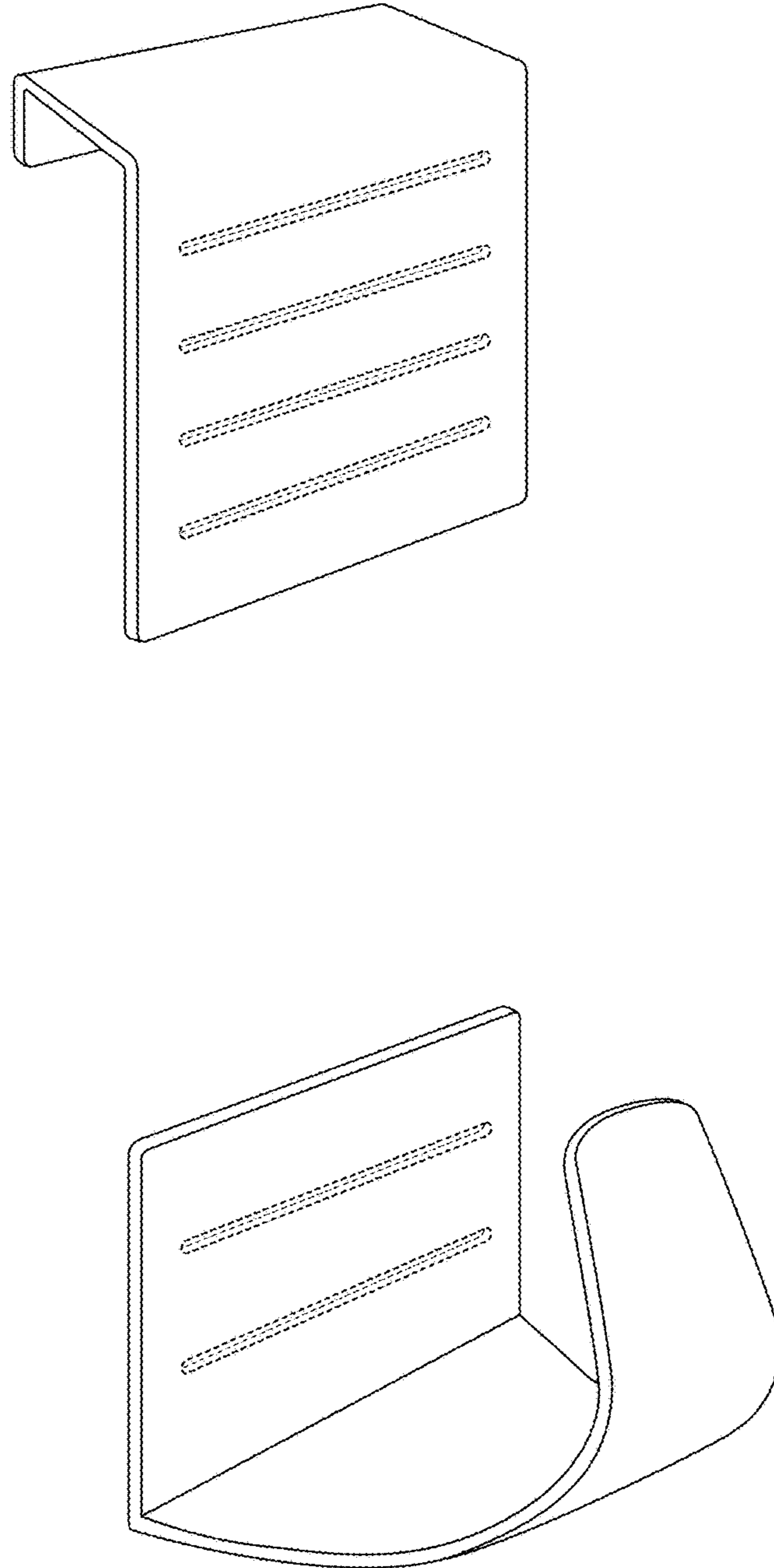


FIG. 9

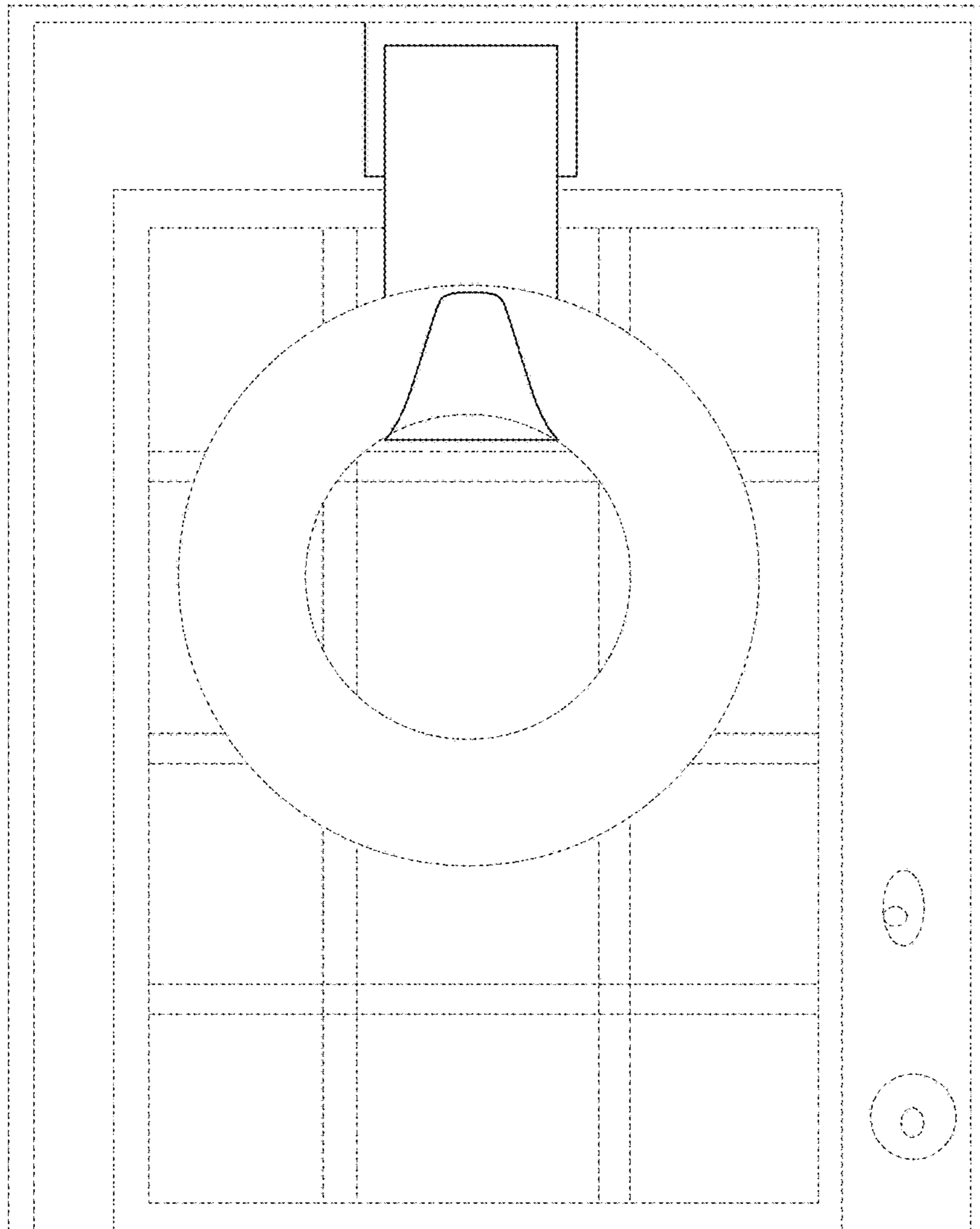


FIG. 10

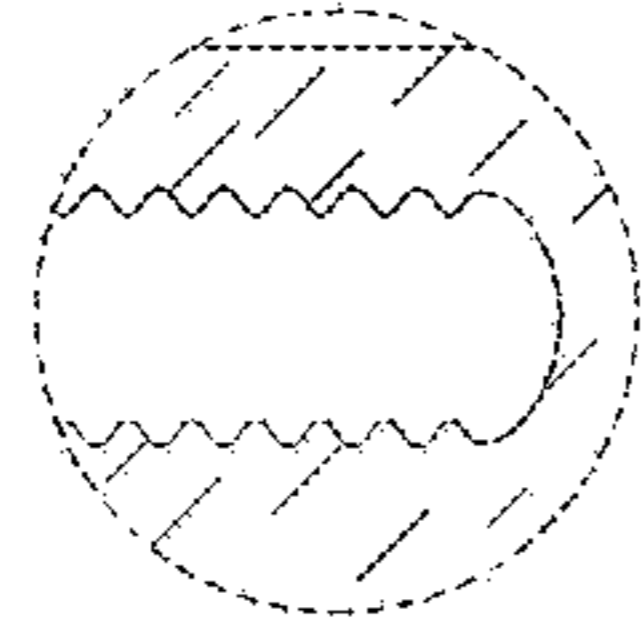


FIG. 11

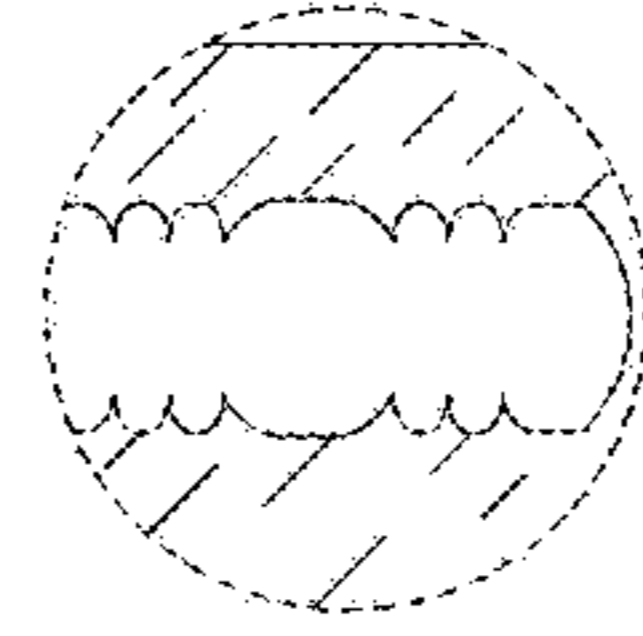


FIG. 12

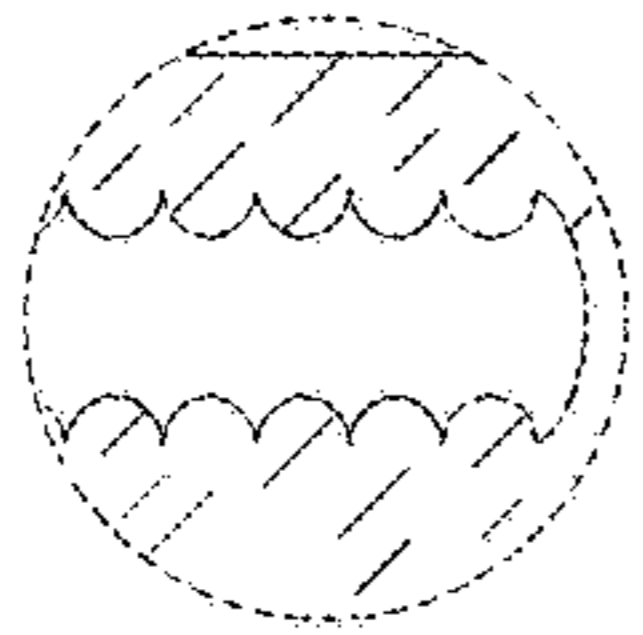


FIG. 13

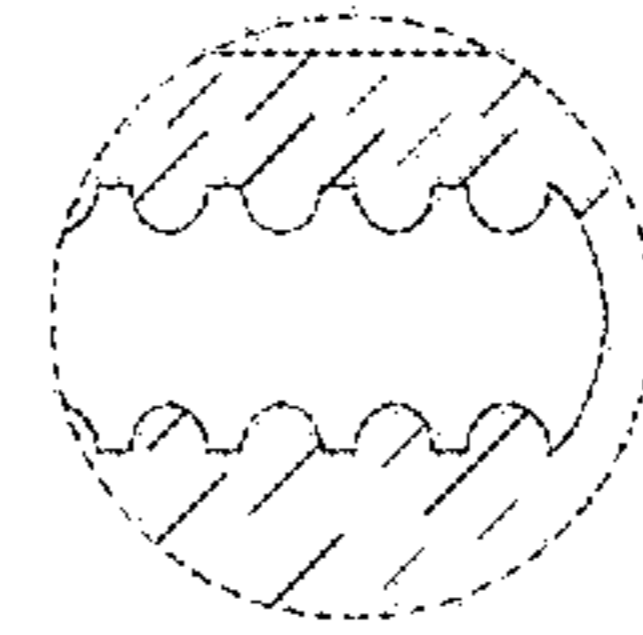


FIG. 14

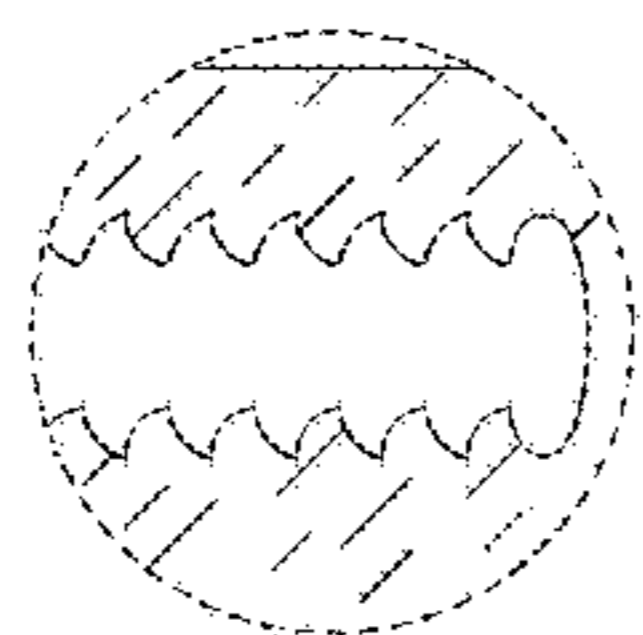


FIG. 15

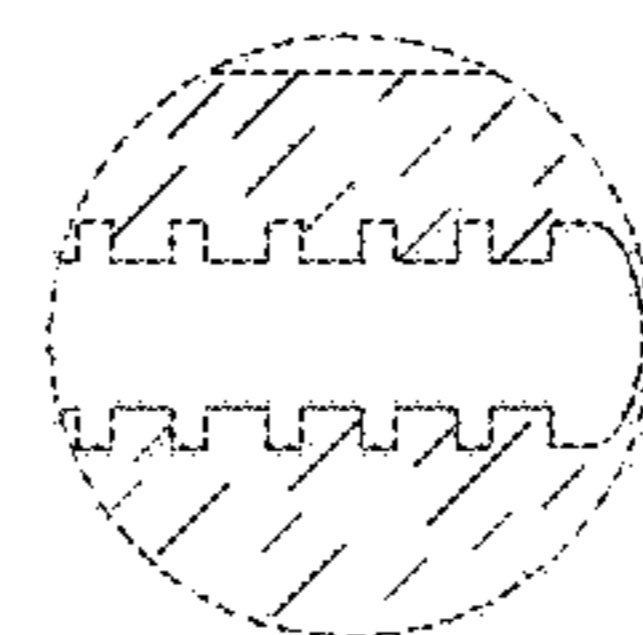


FIG. 16