



US00D848825S

(12) **United States Design Patent** (10) **Patent No.:** **US D848,825 S**
Lam (45) **Date of Patent:** **** *May 21, 2019**

(54) **CURTAIN RING**
(71) Applicant: **SF Home Décor, LLC**, Alburdis, PA (US)
(72) Inventor: **Sondra Lam**, Barrington, IL (US)
(73) Assignee: **SF Home Décor, LLC**, Alburdis, PA (US)

9,396,368 B1 * 7/2016 Lamba G06K 7/10148
D766,238 S * 9/2016 Nguyen D14/385
D797,740 S * 9/2017 Nguyen D14/385
D809,904 S * 2/2018 Smith D8/368
D818,809 S * 5/2018 Hetrick D8/394
D822,474 S * 7/2018 Nguyen D8/394
D831,474 S * 10/2018 Littrell D8/382

* cited by examiner

Primary Examiner — Cynthia R Underwood

(74) *Attorney, Agent, or Firm* — Goldberg Cohen LLP

(*) Notice: This patent is subject to a terminal disclaimer.

(**) Term: **15 Years**

(57) **CLAIM**

I claim the ornamental design for a curtain ring, as shown.

(21) Appl. No.: **29/604,590**

DESCRIPTION

(22) Filed: **May 18, 2017**

(51) **LOC (11) Cl.** **08-05**

(52) **U.S. Cl.**
USPC **D8/368**

(58) **Field of Classification Search**
USPC D8/354, 18, 105, 356, 367, 368, 394;
D11/208, 218; 248/341
CPC F16M 13/02; A44B 13/0029; A45F 5/021;
A45F 5/02; F16B 45/00
See application file for complete search history.

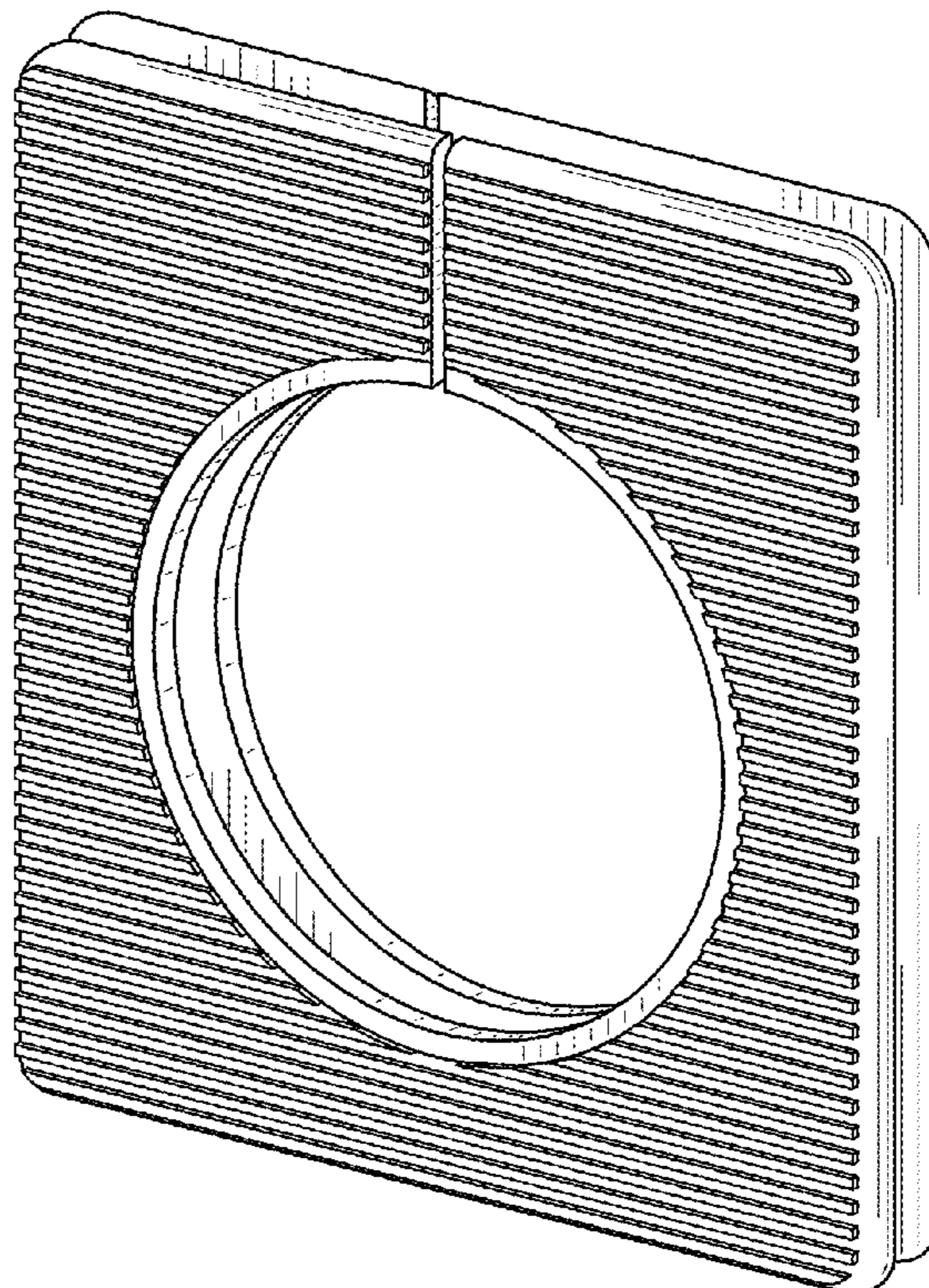
FIG. 1 is a perspective view of the curtain ring of the present invention;
FIG. 2 is a front view of the curtain ring of the present invention
FIG. 3 is a back view of the curtain ring of the present invention;
FIG. 4 is a left side view of the curtain ring of the present invention;
FIG. 5 is a right side view of the curtain ring of the present invention;
FIG. 6 is a top view of the ring of the present invention; and,
FIG. 7 is a bottom view of the curtain ring of the present invention.

(56) **References Cited**

U.S. PATENT DOCUMENTS

D671,816 S * 12/2012 Stone D8/349
9,058,172 B2 * 6/2015 Babu G06F 1/3215

1 Claim, 3 Drawing Sheets



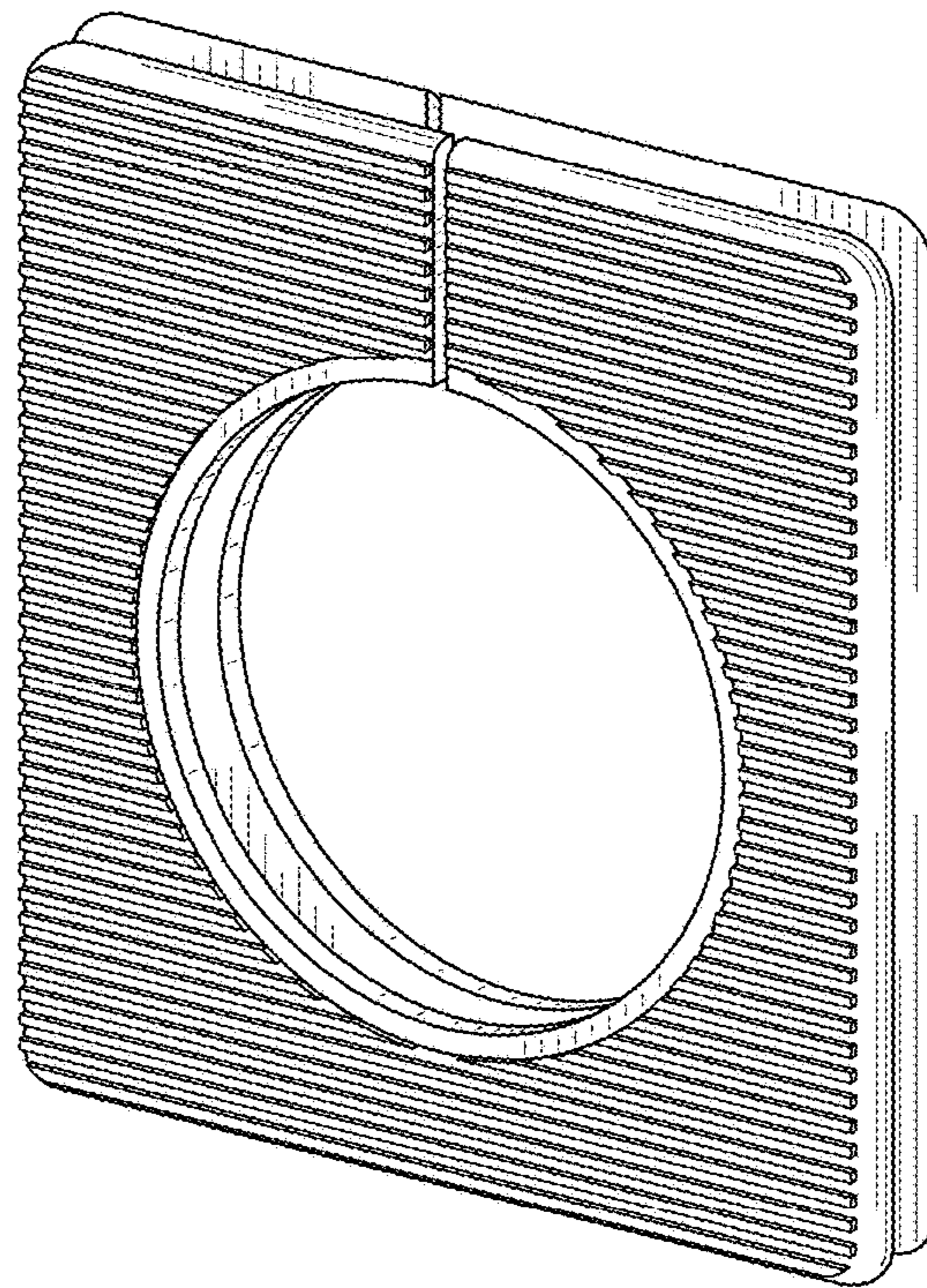


FIG. 1

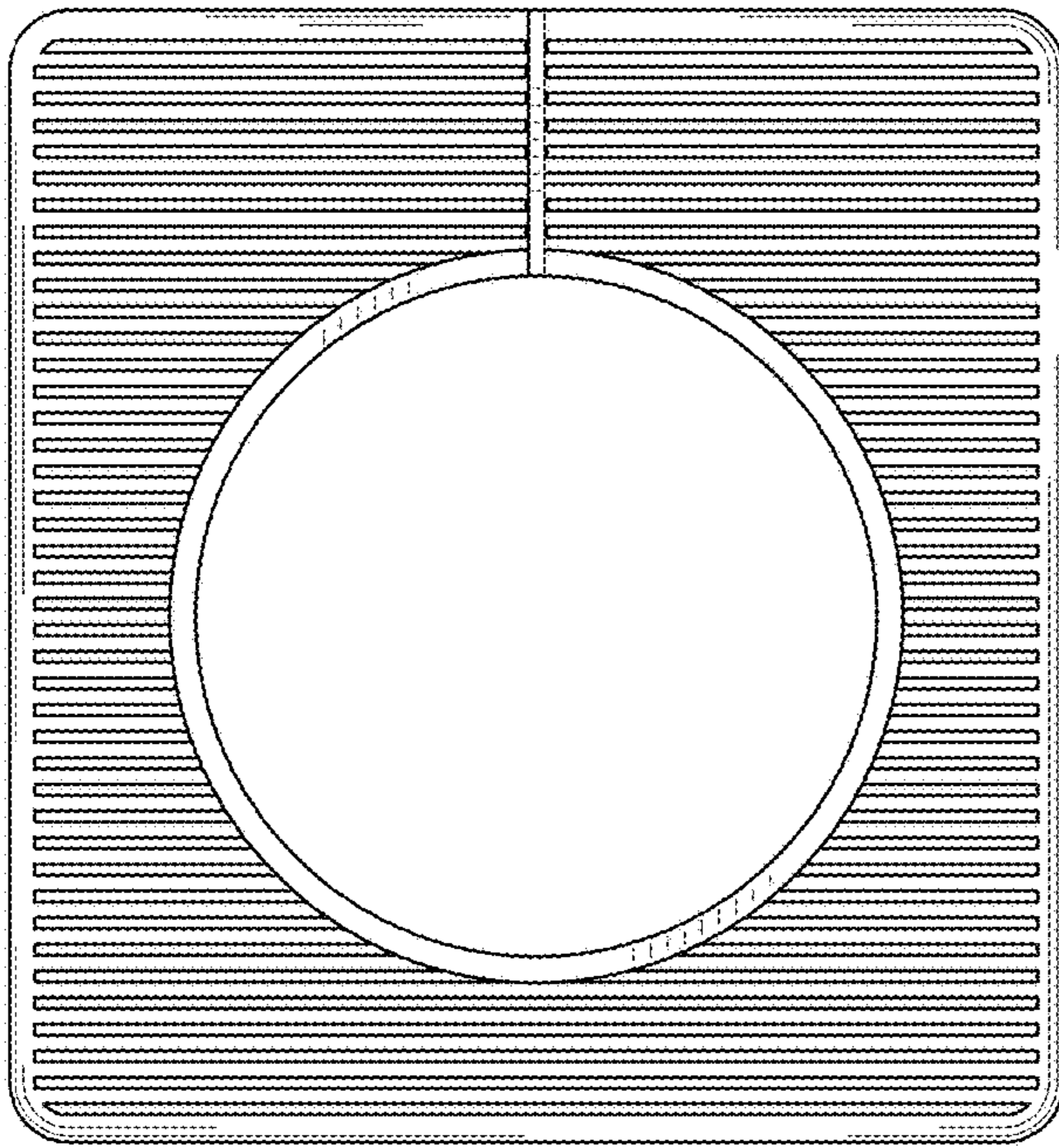


FIG. 2

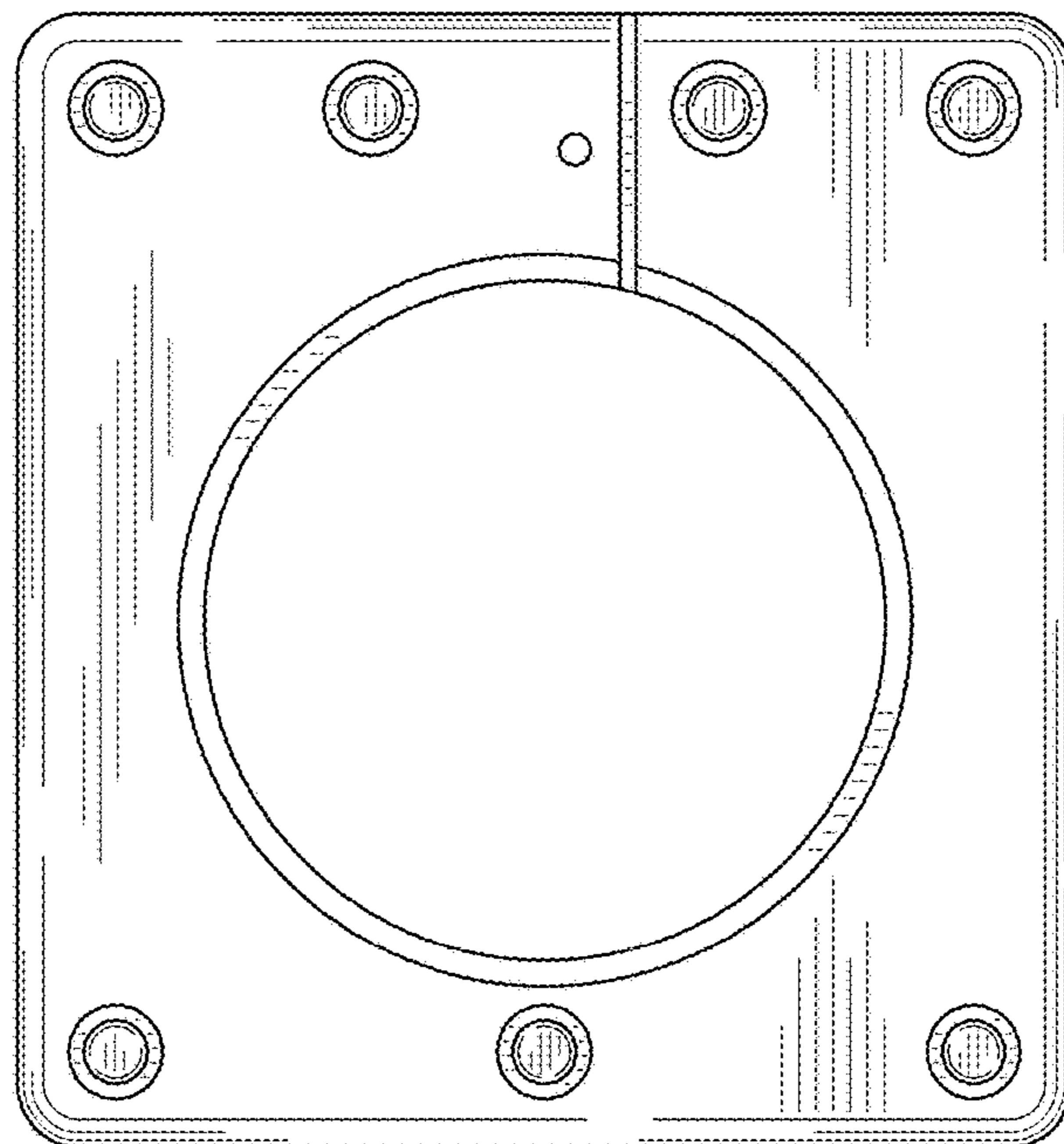


FIG. 3

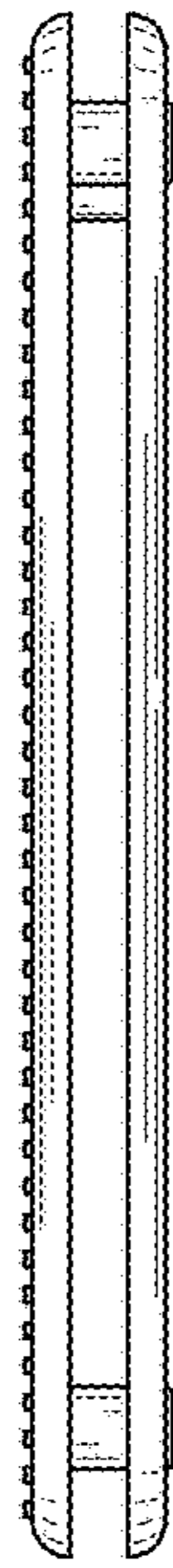


FIG. 4

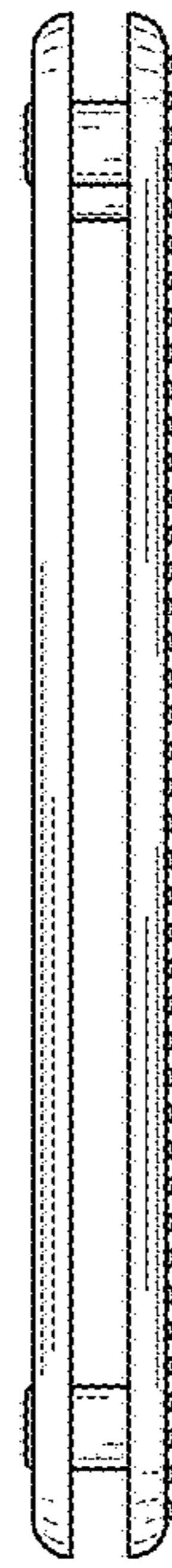


FIG. 5

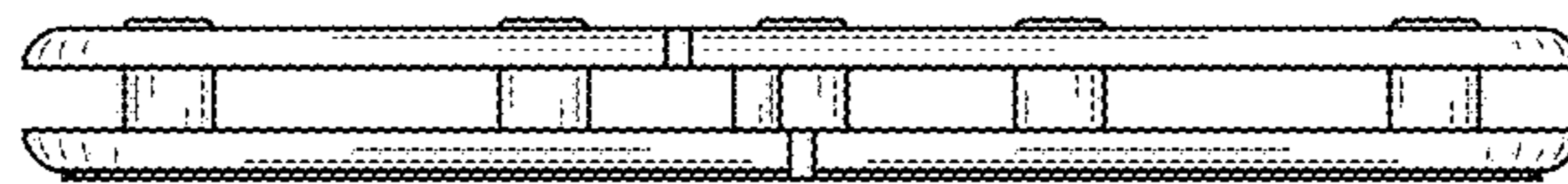


FIG. 6



FIG. 7