



US00D848823S

(12) **United States Design Patent** (10) **Patent No.:** **US D848,823 S**
Graykowski et al. (45) **Date of Patent:** **** May 21, 2019**

(54) **CARABINER**
(71) Applicant: **MILWAUKEE ELECTRIC TOOL CORPORATION**, Brookfield, WI (US)
(72) Inventors: **Anthony S. Graykowski**, Belgium, WI (US); **Andrew G. Wagner**, Lisbon, WI (US); **Derek Rose**, Menomonee Falls, WI (US)
(73) Assignee: **Milwaukee Electric Tool Corporation**, Brookfield, WI (US)

9,500,221 B2 * 11/2016 Yang F16B 45/02
D788,572 S * 6/2017 Votel D8/356
D819,429 S * 6/2018 Newing D8/356
2013/0219673 A1 * 8/2013 Perner F16B 45/02
24/375
2014/0110956 A1 * 4/2014 Lin F16B 45/02
294/82.2
2014/0138191 A1 * 5/2014 Chabod A62B 1/14
188/65.1
2014/0245576 A1 * 9/2014 Perner F16B 45/02
24/600.1
2016/0361578 A1 * 12/2016 Casebolt A62B 35/0037
2016/0376129 A1 * 12/2016 Hendrix B66C 1/36
294/82.2

(**) Term: **15 Years**

* cited by examiner

(21) Appl. No.: **29/634,242**

Primary Examiner — Cynthia R Underwood

(22) Filed: **Jan. 19, 2018**

(74) *Attorney, Agent, or Firm* — Reinhart Boerner Van Deuren s.c.

(51) **LOC (11) Cl.** **09-06**

(52) **U.S. Cl.**
USPC **D8/356**

(57) **CLAIM**

We claim the ornamental design for a carabiner, as shown.

(58) **Field of Classification Search**
USPC D8/356, 354, 349, 367
CPC B65H 57/16; E02D 5/803; B63B 21/045;
B63B 59/02; B60D 1/18; B60P 1/103;
B60P 7/0823; Y10T 24/3918; A62B
35/0081; H04R 1/1033; A44B 13/0029
See application file for complete search history.

DESCRIPTION

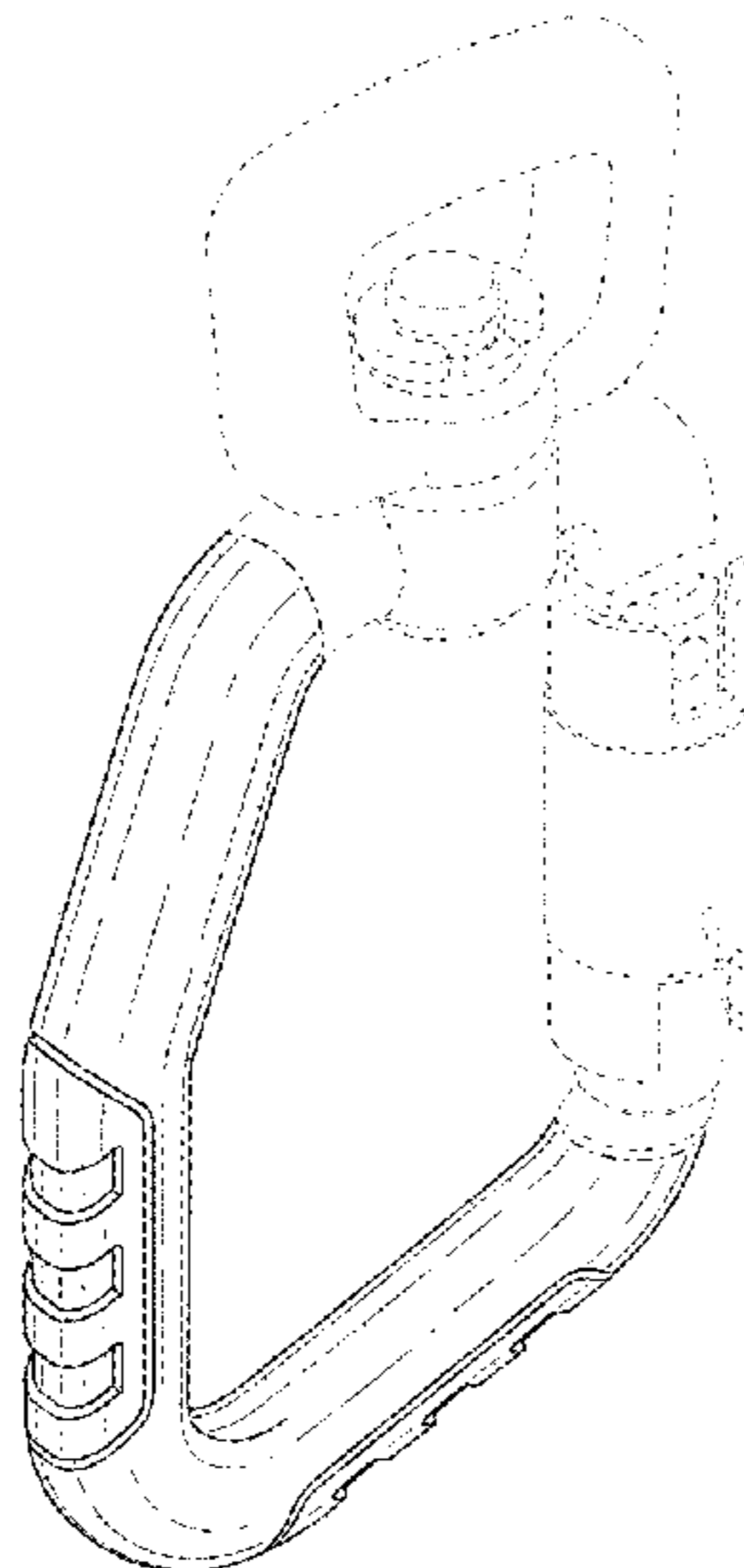
FIG. 1 is a perspective view of a carabiner according to an embodiment of the invention.
FIG. 2 is a right side view of the carabiner of FIG. 1.
FIG. 3 is a left side view of the carabiner of FIG. 1.
FIG. 4 is a back side view of the carabiner of FIG. 1.
FIG. 5 is a front side view of the carabiner of FIG. 1.
FIG. 6 is a top side view of the carabiner of FIG. 1; and,
FIG. 7 is a bottom side view of the carabiner of FIG. 1.
The elements shown in broken lines form no part of the claimed design and are included for the purpose of showing the environment of the claimed design. Any broken lines having unequal line segments indicate the boundary of the claimed design.

(56) **References Cited**

U.S. PATENT DOCUMENTS

7,444,723 B2 * 11/2008 Lin F16B 45/02
24/600.1
7,922,220 B2 * 4/2011 Coulombe F16B 45/02
24/600.1
D730,159 S * 5/2015 Grimm D8/356
D730,722 S * 6/2015 Grimm D8/356
D743,778 S * 11/2015 Huang D8/367
D765,497 S * 9/2016 Petzl D8/356

1 Claim, 4 Drawing Sheets



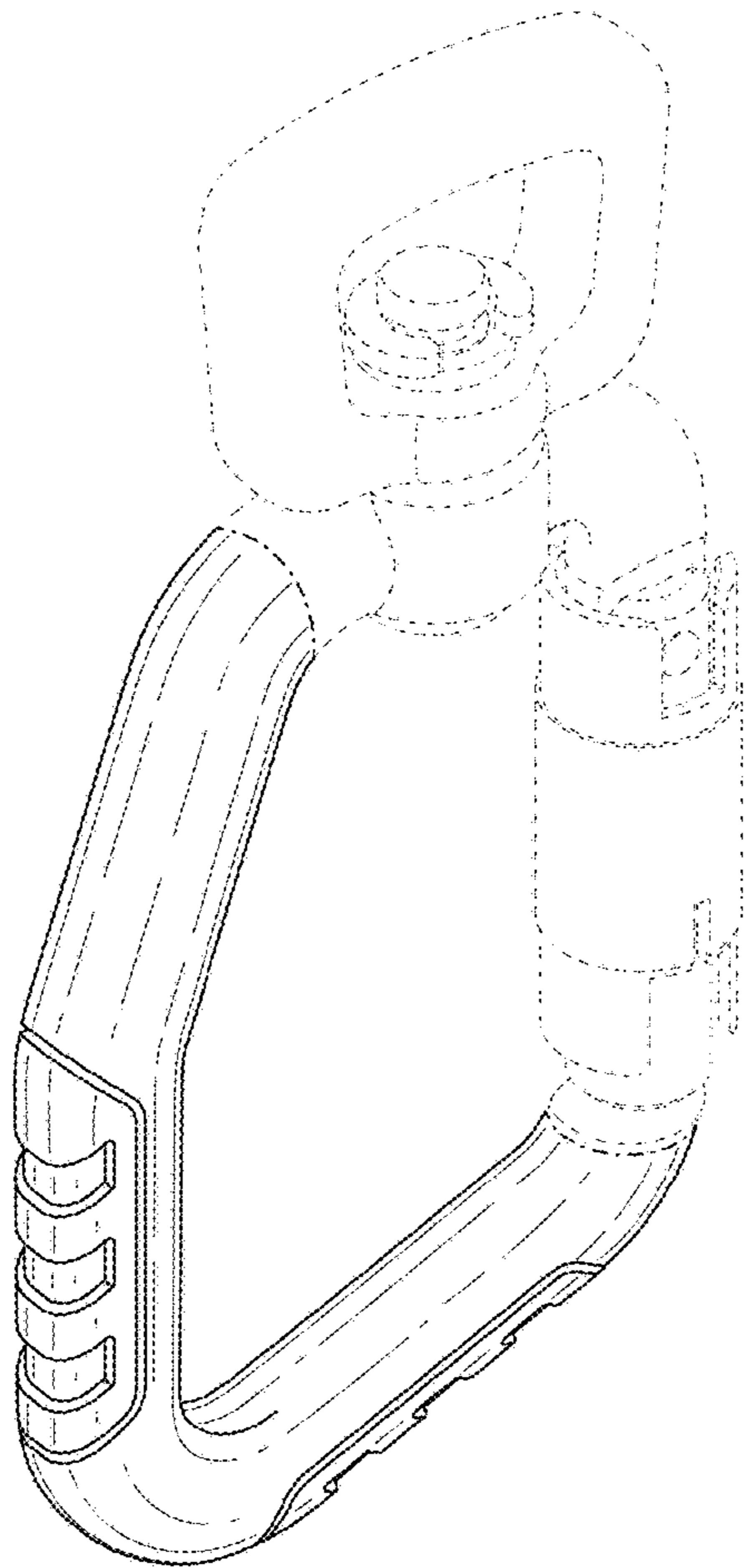


FIG. 1

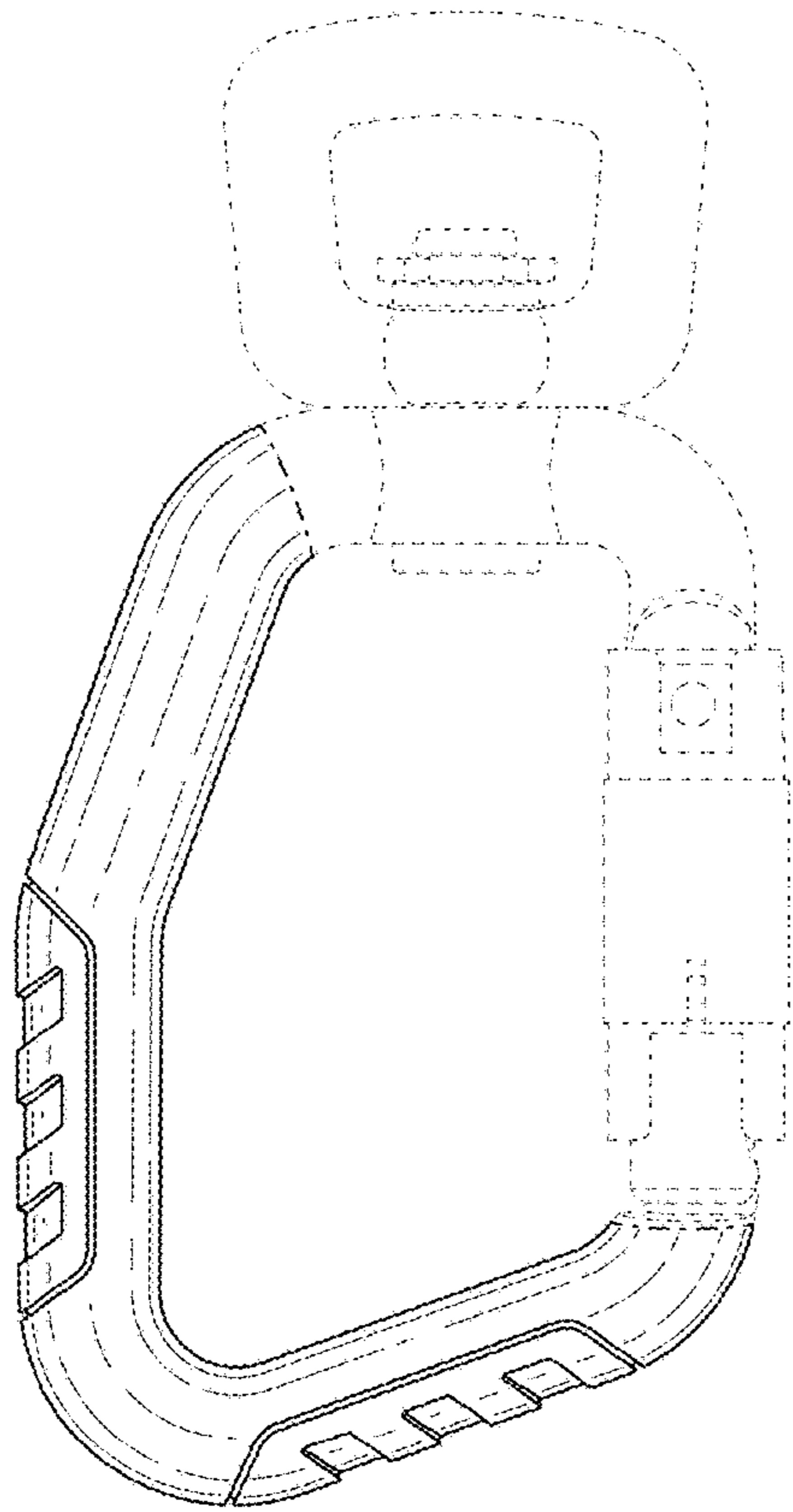


FIG. 2

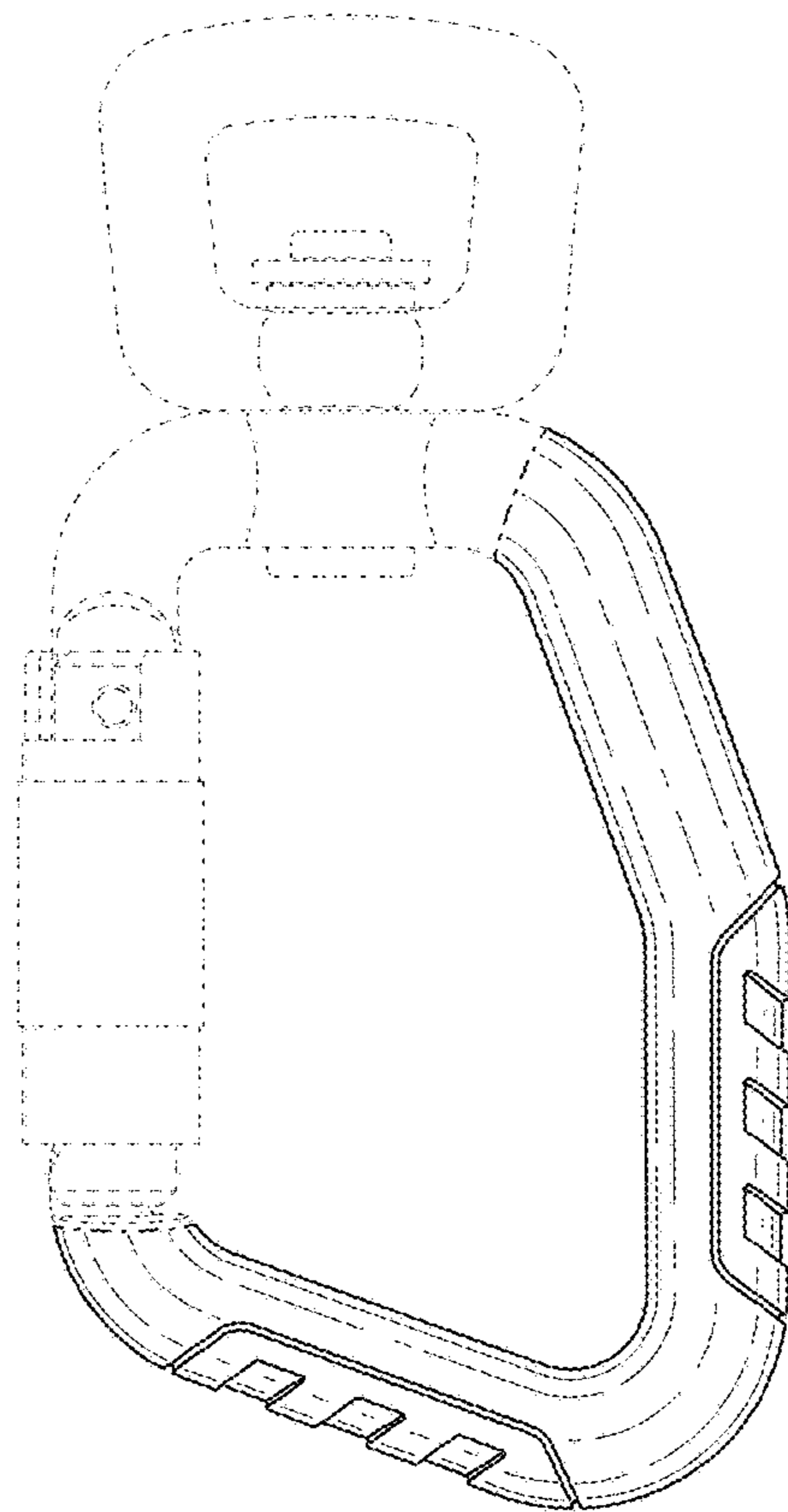


FIG. 3

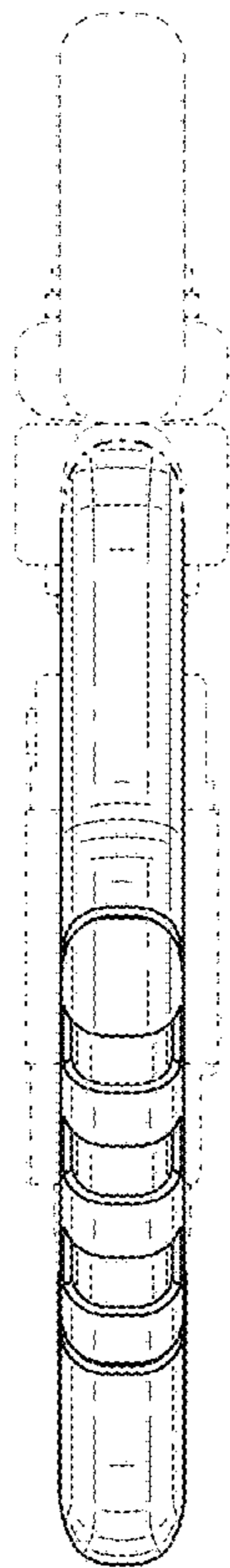


FIG. 4

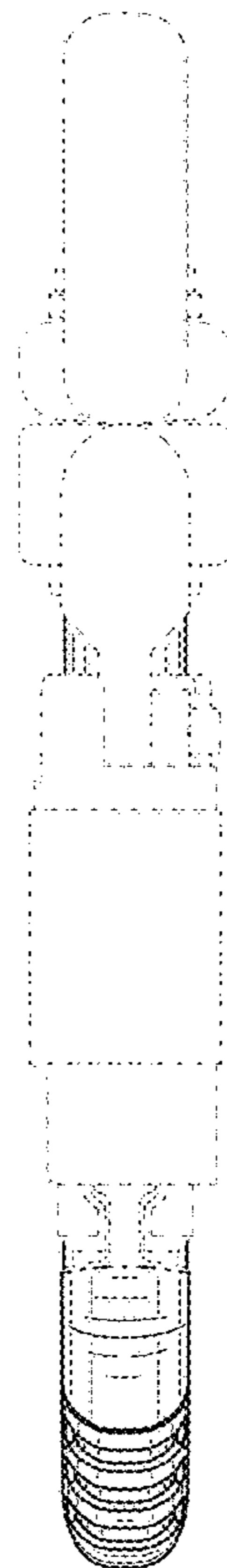


FIG. 5

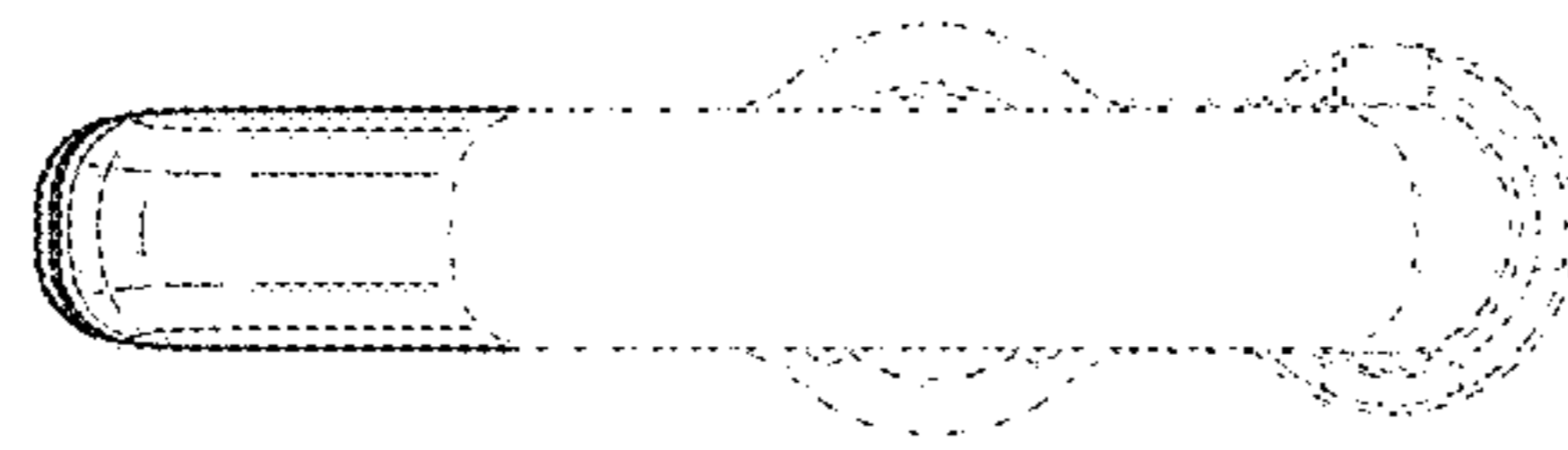


FIG. 6

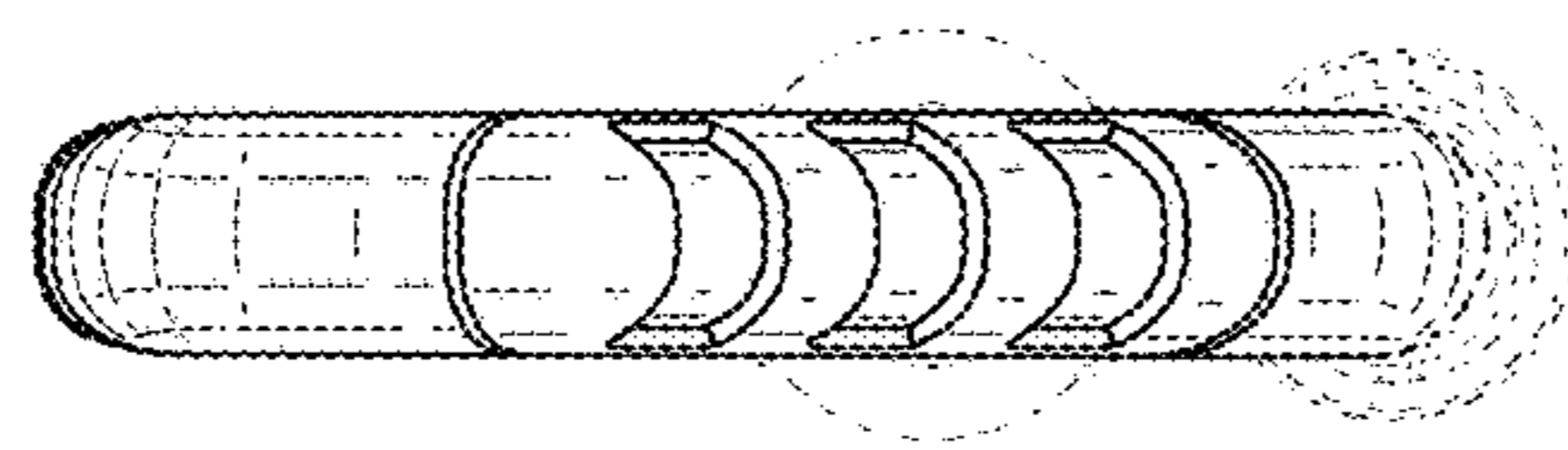


FIG. 7