



US00D848822S

(12) **United States Design Patent**
Cooper

(10) **Patent No.:** **US D848,822 S**

(45) **Date of Patent:** **** *May 21, 2019**

- (54) **TIE DOWN HOLDER**
- (71) Applicant: **Greg Cooper**, Jacksonville, FL (US)
- (72) Inventor: **Greg Cooper**, Jacksonville, FL (US)
- (*) Notice: This patent is subject to a terminal disclaimer.
- (**) Term: **15 Years**
- (21) Appl. No.: **29/613,810**
- (22) Filed: **Aug. 14, 2017**
- (51) **LOC (11) Cl.** **09-06**
- (52) **U.S. Cl.**
USPC **D8/356**
- (58) **Field of Classification Search**
USPC D8/360, 356, 354, 349; 361/826
CPC A63B 29/00; A63B 27/00; B63B 59/02;
B63B 21/045; H05K 5/0247
See application file for complete search history.

6,813,981	B2 *	11/2004	Urban	B21F 11/00	30/90.1
D514,432	S *	2/2006	McLaughlin	D8/356	
D657,564	S *	4/2012	Baker	D3/328	
D684,845	S *	6/2013	Wood	A62B 35/04	D8/356
8,615,849	B2 *	12/2013	Rothbaum	H01F 7/0263	24/16 R
D703,516	S	4/2014	Matthew			
D713,240	S *	9/2014	Chance	D8/356	
D724,935	S *	3/2015	Warner	D8/356	
D731,296	S *	6/2015	Nelson	D8/356	
D732,933	S *	6/2015	Jansen	D8/356	
D740,106	S *	10/2015	Cooper	D8/356	
D751,360	S *	3/2016	Oakley	D8/18	
D811,202	S *	2/2018	Goodman	D8/370	
D811,859	S *	3/2018	Orser	D8/356	
2018/0070713	A1 *	3/2018	Moreau	A45F 5/021	
2018/0084886	A1 *	3/2018	O'Hare	A45D 2/18	

* cited by examiner

Primary Examiner — Cynthia R Underwood
(74) *Attorney, Agent, or Firm* — Lawrence J. Gibney;
Mitchell Ghaneie

(56) **References Cited**

U.S. PATENT DOCUMENTS

423,312	A	3/1890	William			
1,583,343	A *	5/1926	Henry	F16G 11/14	24/129 R
1,666,623	A	9/1926	Edgar			
D259,242	S *	5/1981	Gilb	D8/373	
4,957,232	A	9/1990	Sprague			
D311,487	S *	10/1990	Platt	D8/356	
5,234,185	A	8/1993	Hoffman			
D390,447	S *	2/1998	Colen, Jr.	D8/356	
6,092,444	A *	7/2000	Hsiao	B25B 13/48	7/168
6,095,282	A *	8/2000	Sadeck	A62B 1/04	182/191
6,344,021	B1 *	2/2002	Juster	A61N 2/06	600/15

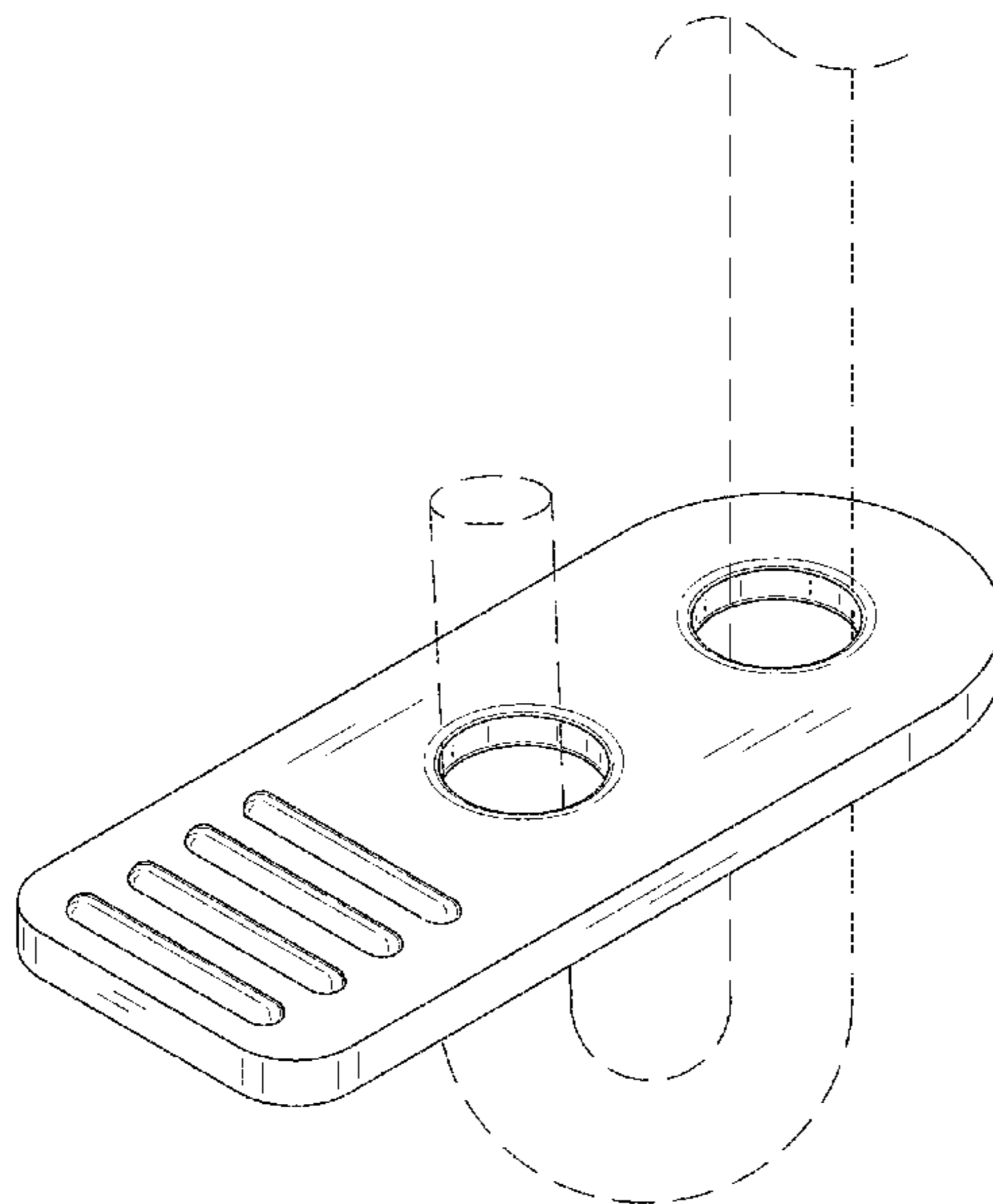
(57) **CLAIM**

The ornamental design for tie down holder, as shown and described.

DESCRIPTION

FIG. 1 is a top elevational view of a tie down holder showing my new design;
FIG. 2 is a side elevational view thereof;
FIG. 3 is a front elevational view thereof;
FIG. 4 is a back elevational view thereof; and,
FIG. 5 is a top isometric elevational of the device.
The broken lines depict portions of the environment that form no part of the claimed design.

1 Claim, 3 Drawing Sheets



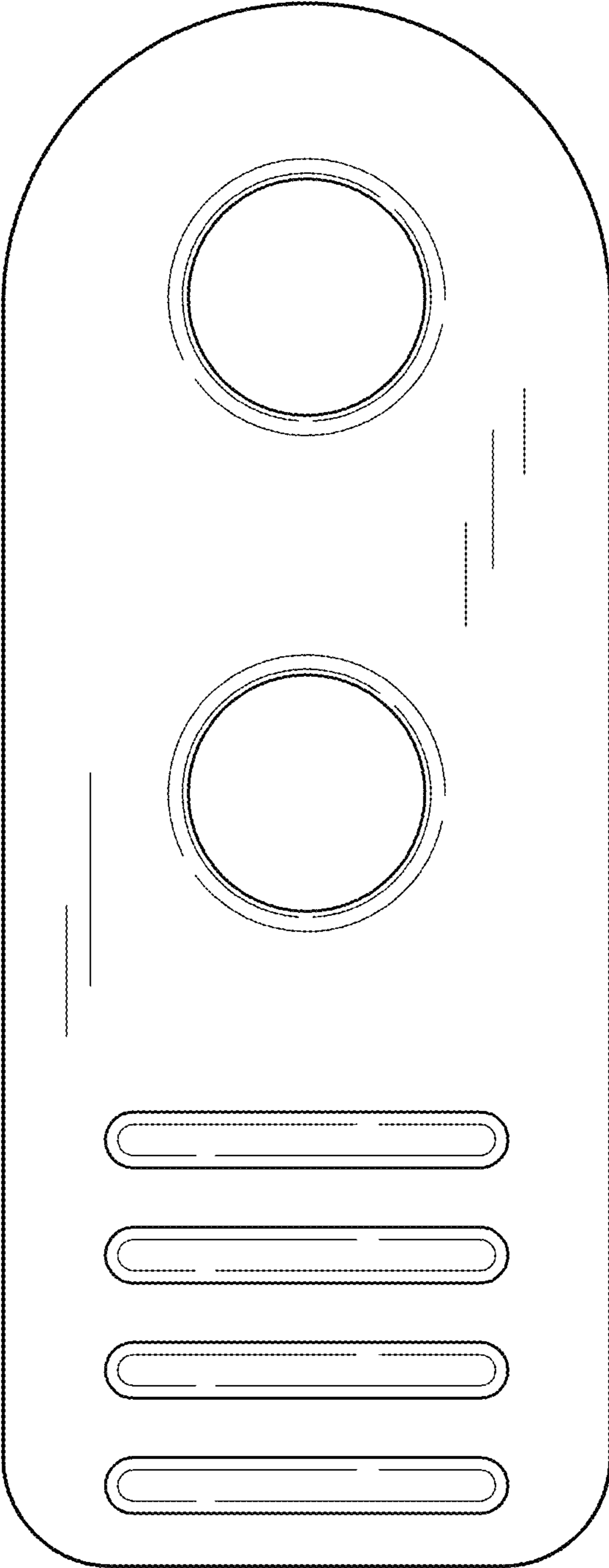


FIG. 1

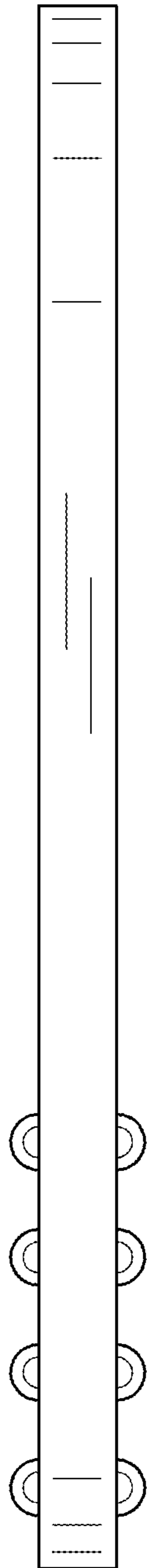


FIG. 2

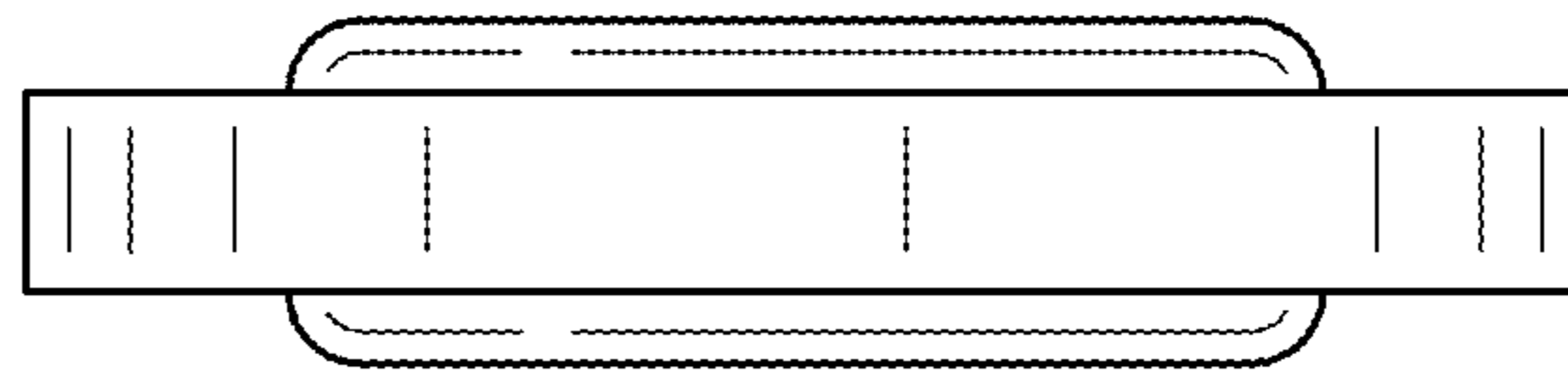


FIG. 3

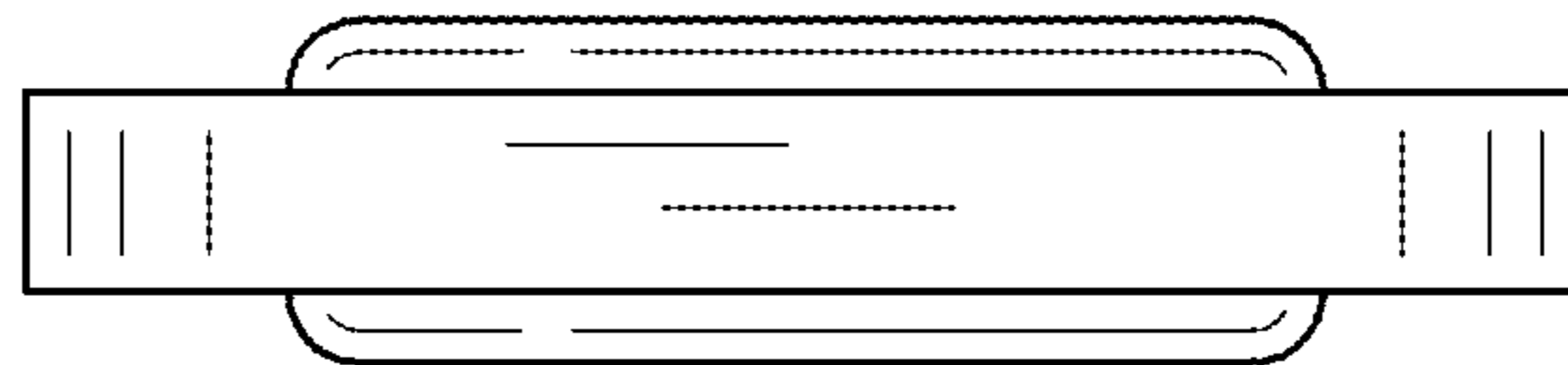


FIG. 4

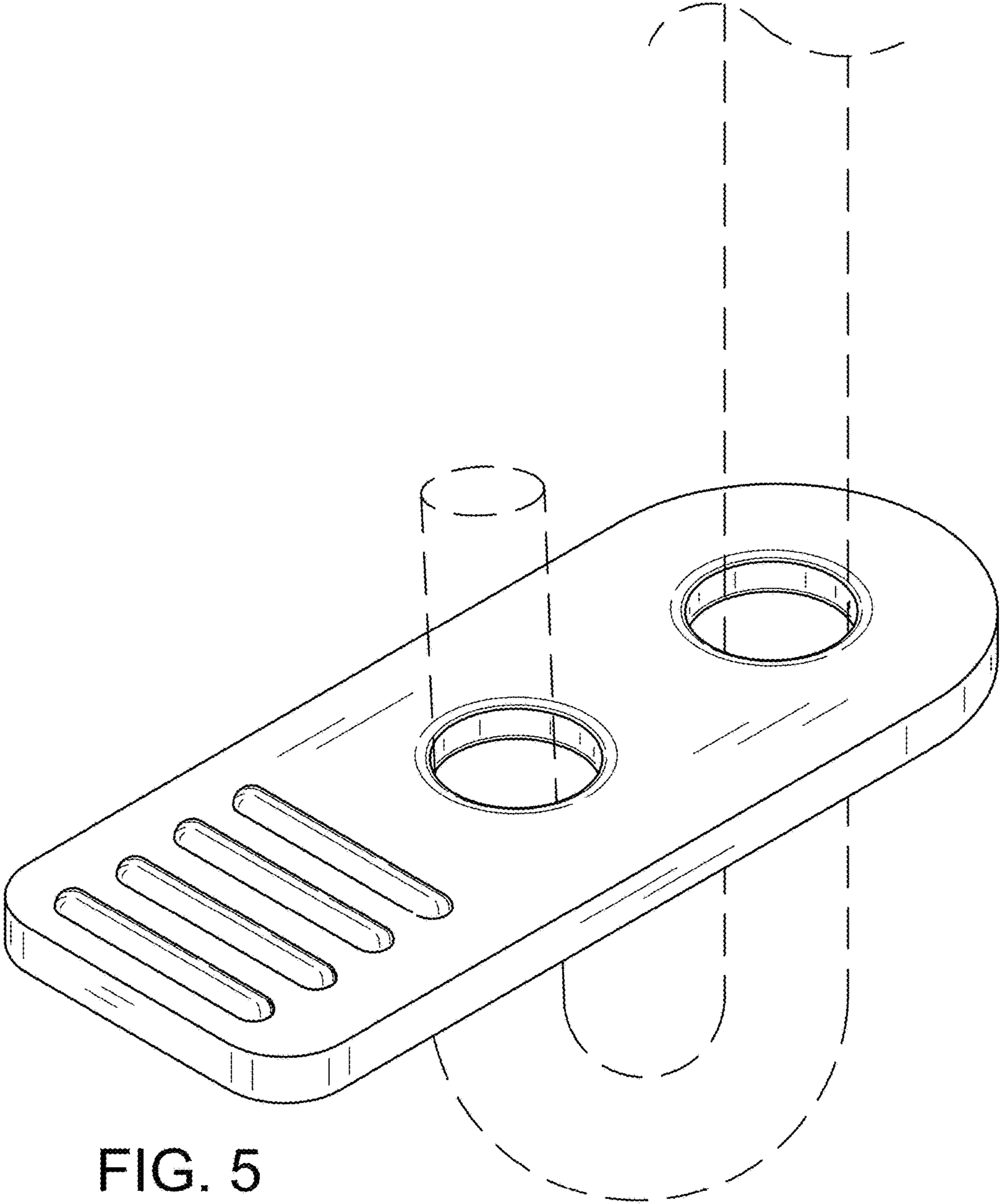


FIG. 5